



US00D659521S

(12) **United States Design Patent**
Nagahori

(10) **Patent No.:** **US D659,521 S**

(45) **Date of Patent:** **** May 15, 2012**

(54) **RETENTION CLIP FOR FLOOR CARPET**

(75) Inventor: **Yohei Nagahori**, Hino (JP)

(73) Assignee: **NIFCO Inc.**, Yokohama-Shi, Kanagawa (JP)

(**) Term: **14 Years**

(21) Appl. No.: **29/371,505**

(22) Filed: **Mar. 29, 2011**

(30) **Foreign Application Priority Data**

Oct. 1, 2010 (JP) 2010-023601

(51) **LOC (9) Cl.** **08-08**

(52) **U.S. Cl.** **D8/382**

(58) **Field of Classification Search** D8/349-395;
52/281, 471, 489.2, 509, 712, 714, 715, 716,
52/38-39; 403/14

See application file for complete search history.

(56) **References Cited**

U.S. PATENT DOCUMENTS

D47,042 S * 3/1915 Keel D8/382
3,325,852 A * 6/1967 Hill 16/16
D312,382 S * 11/1990 Ryll D8/349

D339,521 S * 9/1993 Bartlett et al. D8/394
D569,240 S * 5/2008 Aoki et al. D8/382
D588,902 S * 3/2009 Carnevali D8/354
7,540,066 B2 * 6/2009 Aoki et al. 16/4
7,727,612 B2 * 6/2010 Haraguchi et al. 428/99
D648,210 S * 11/2011 Reynoso D8/382

* cited by examiner

Primary Examiner — Sheryl Lane

(74) *Attorney, Agent, or Firm* — Manabu Kanesaka

(57) **CLAIM**

The ornamental design for a retention clip for floor carpet, as shown and described.

DESCRIPTION

FIG. 1 is a perspective view of a retention clip for floor carpet showing my new design;
FIG. 2 is another perspective view thereof;
FIG. 3 is a front view thereof;
FIG. 4 is a plan view thereof;
FIG. 5 is a bottom view thereof;
FIG. 6 is a right side view thereof; and,
FIG. 7 is a left side view thereof.

The broken lines depict portions of the retention clip for floor carpet that form no part of the claimed design.

1 Claim, 3 Drawing Sheets

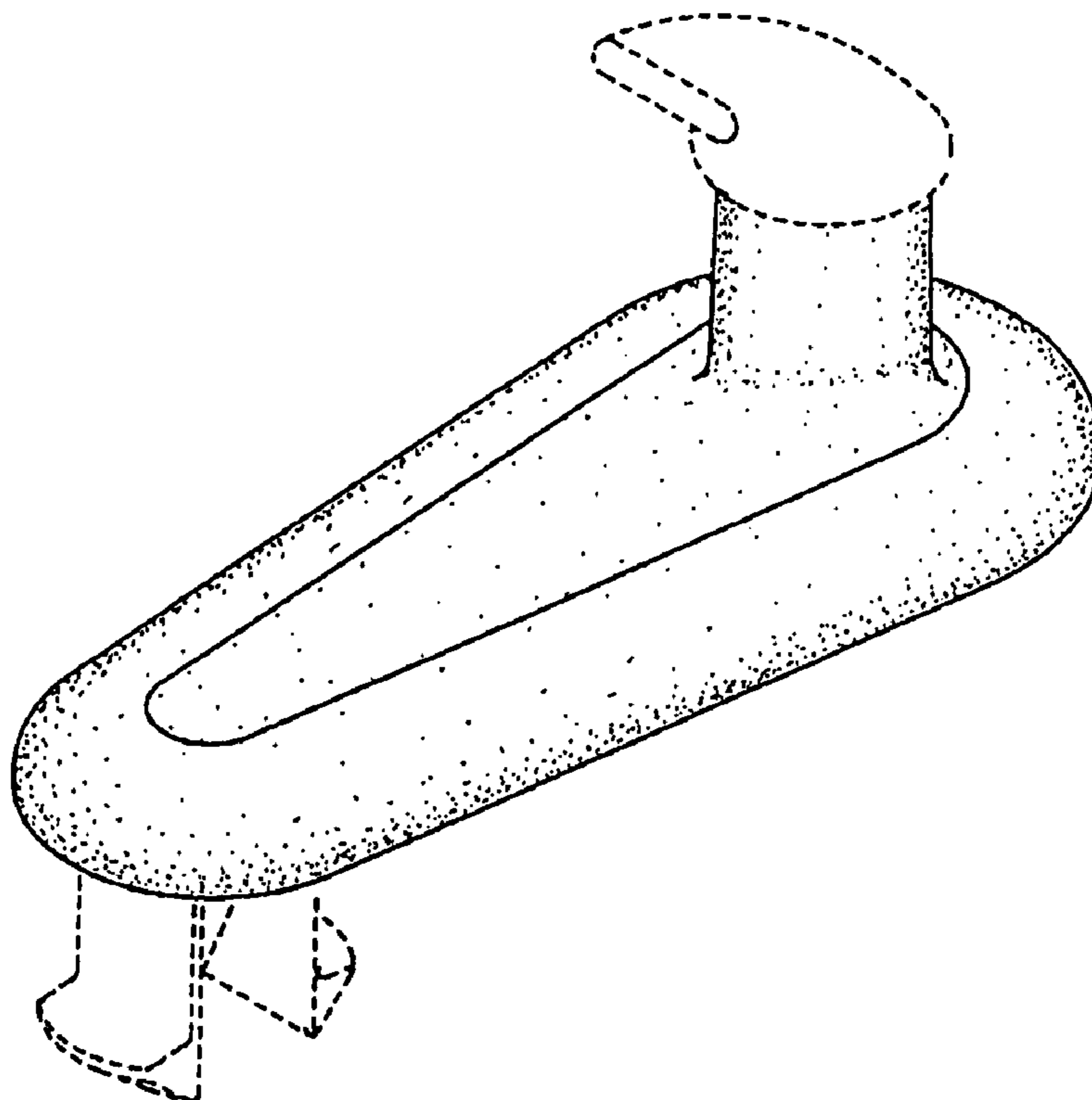


Fig. 1

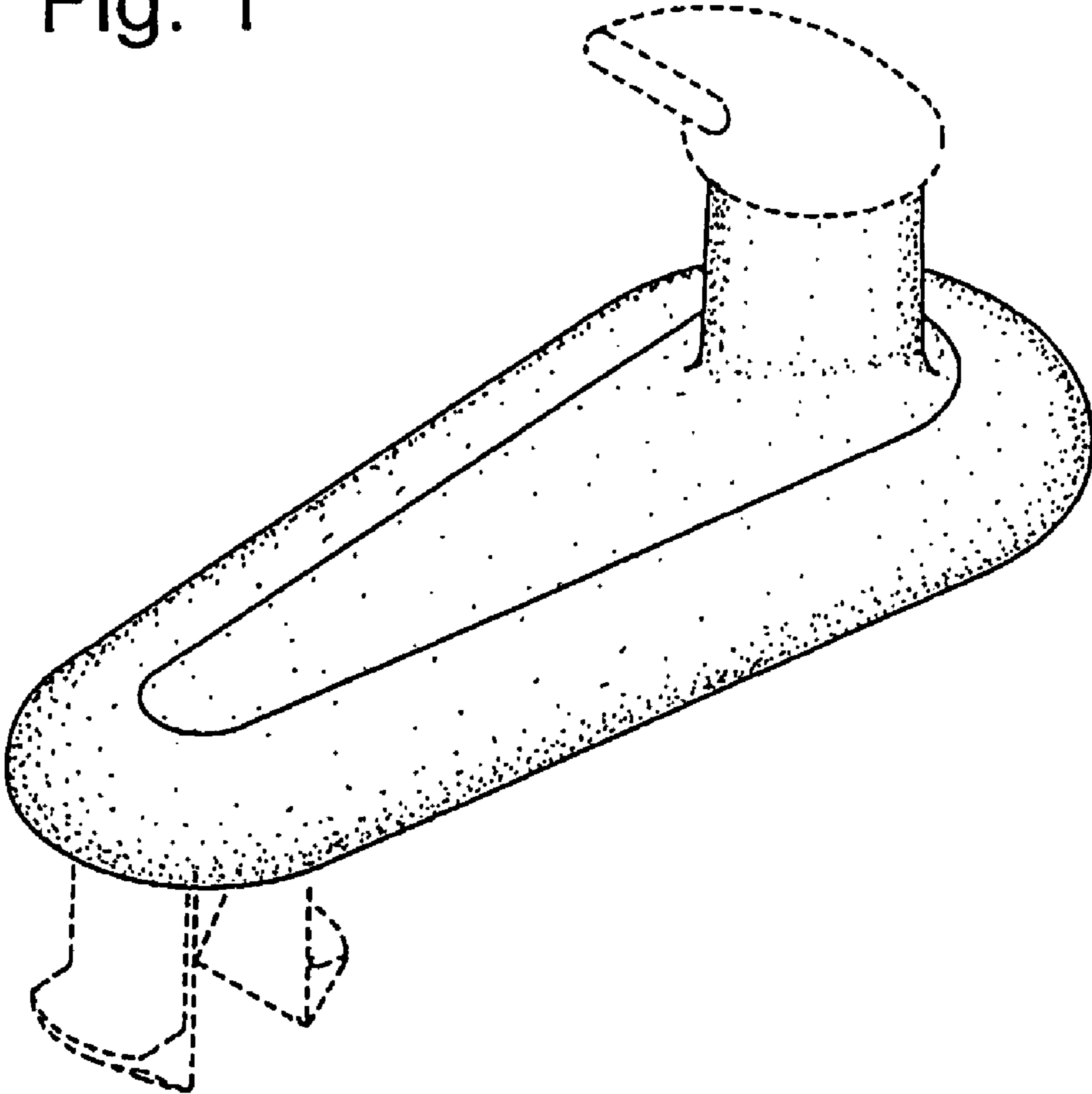


Fig. 2

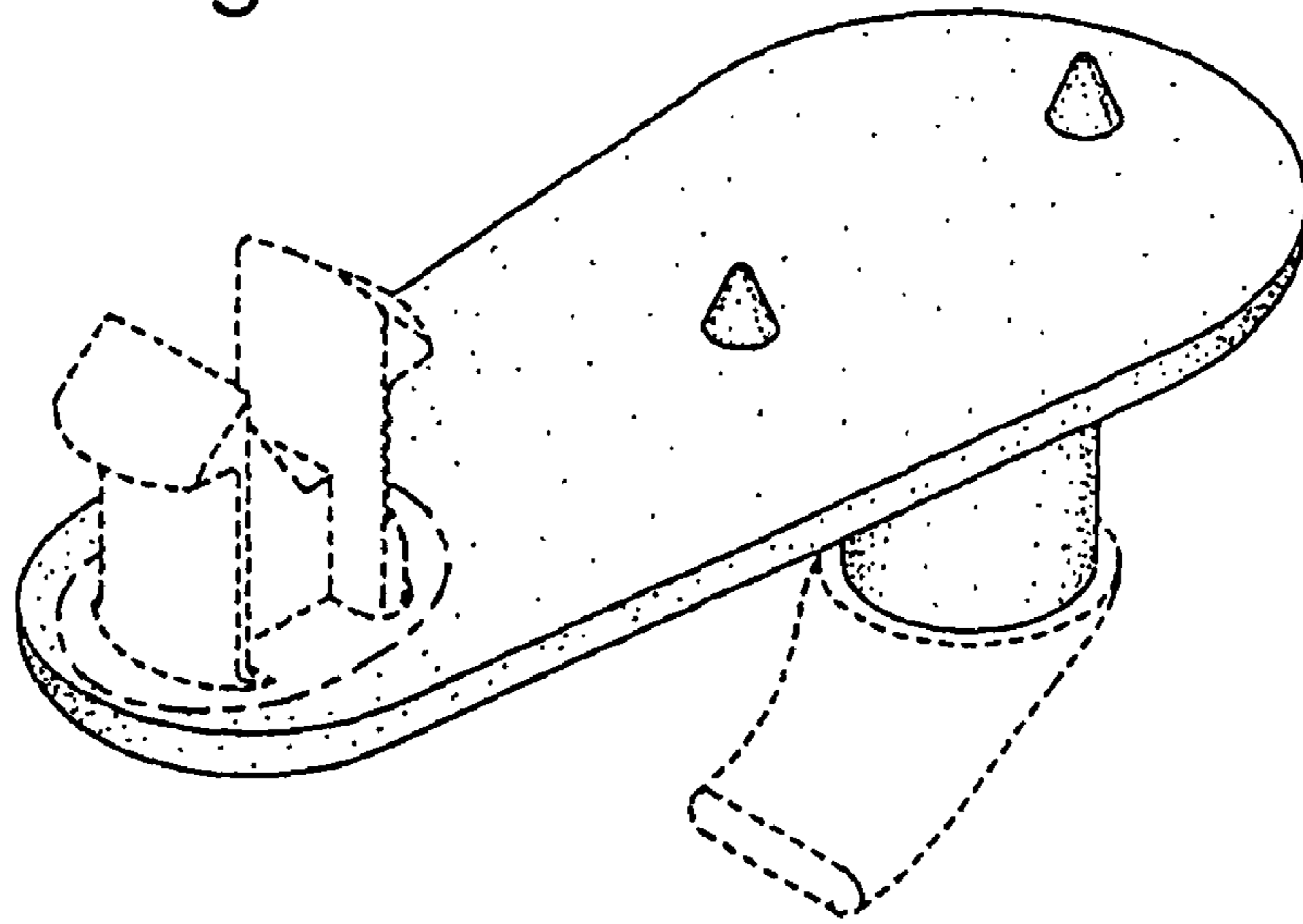


Fig. 3

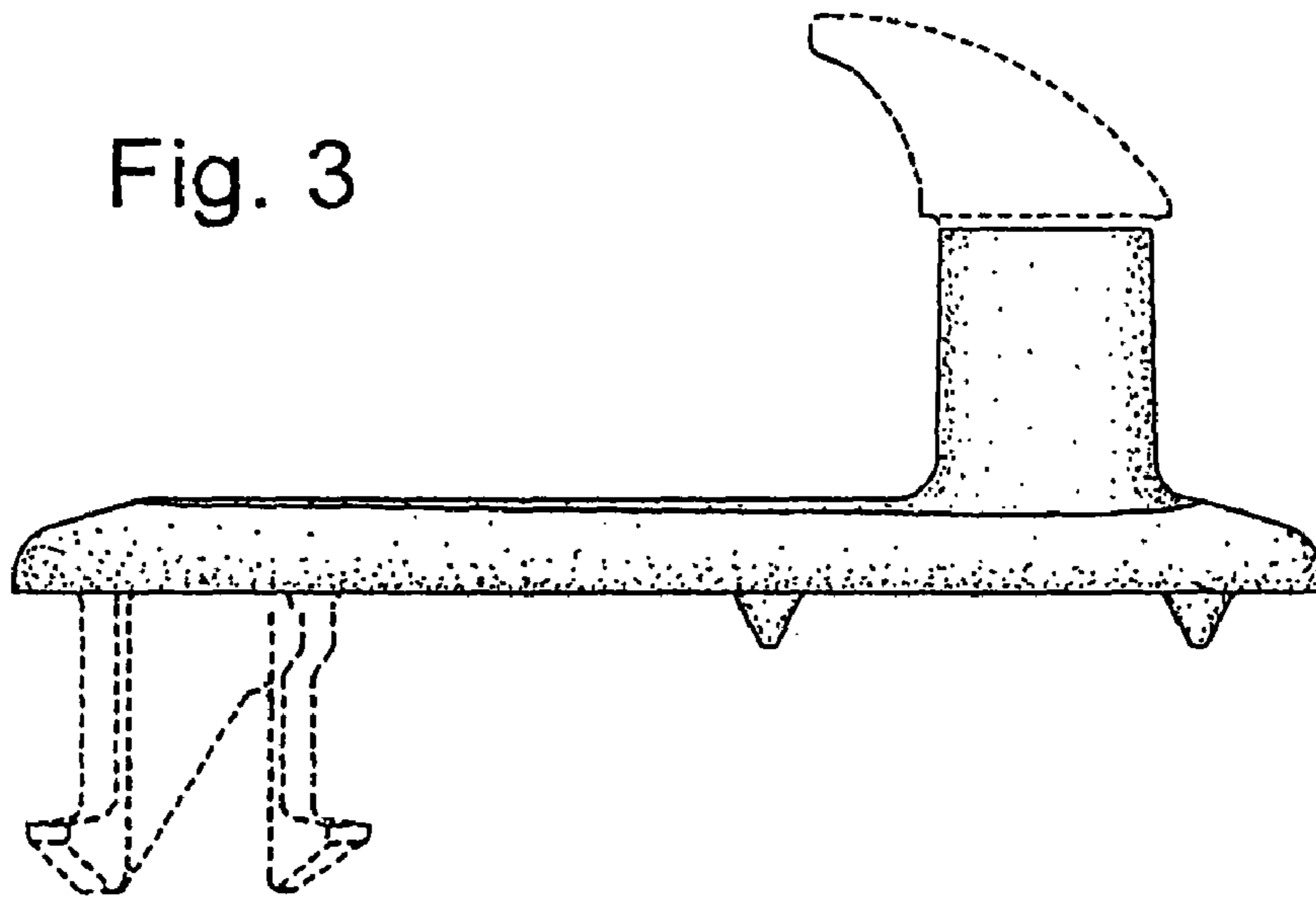


Fig. 4

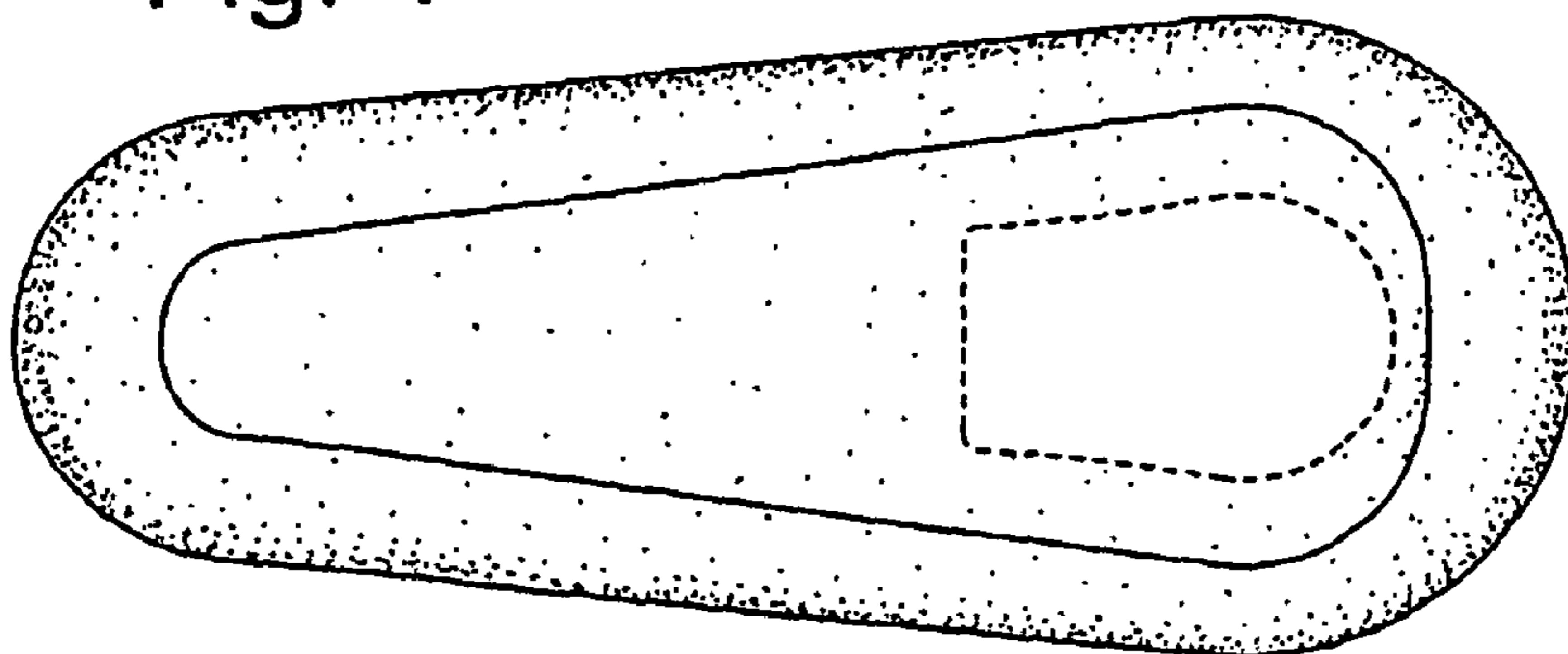


Fig. 5

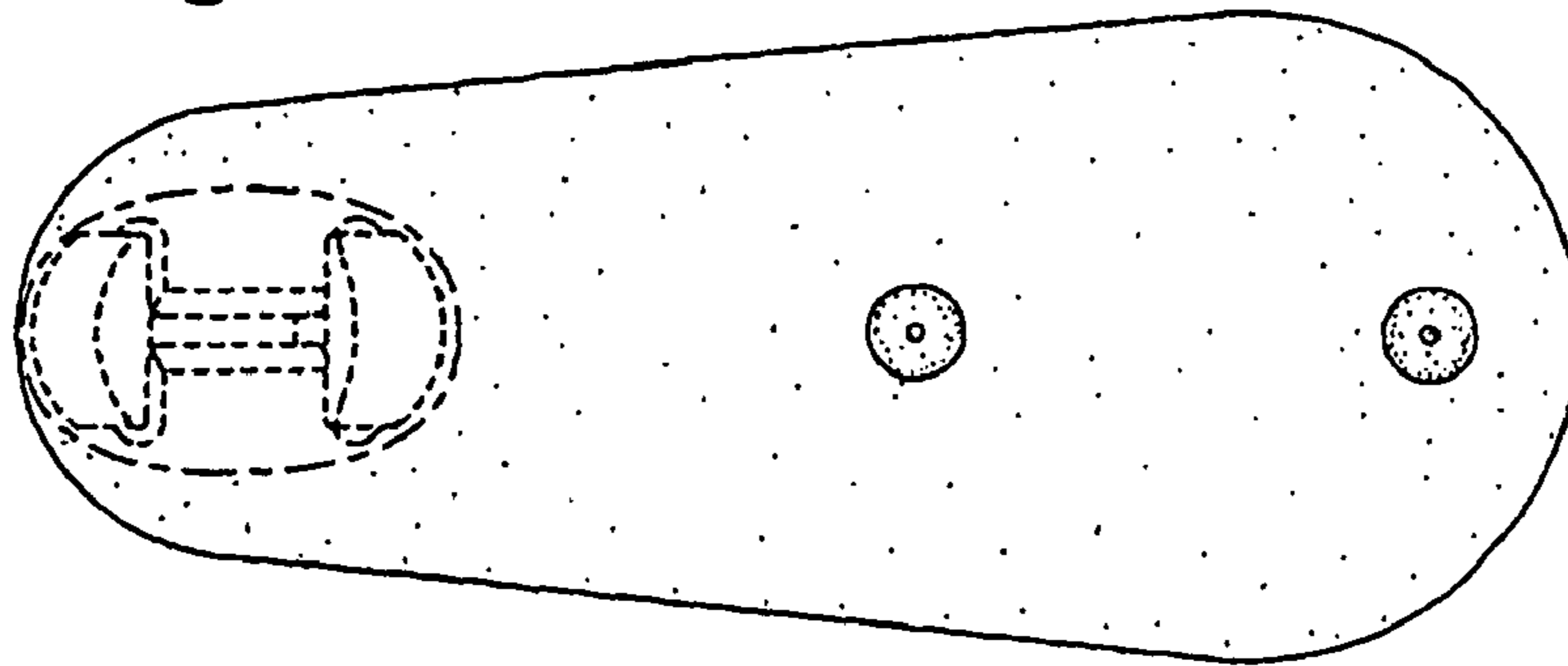


Fig. 6

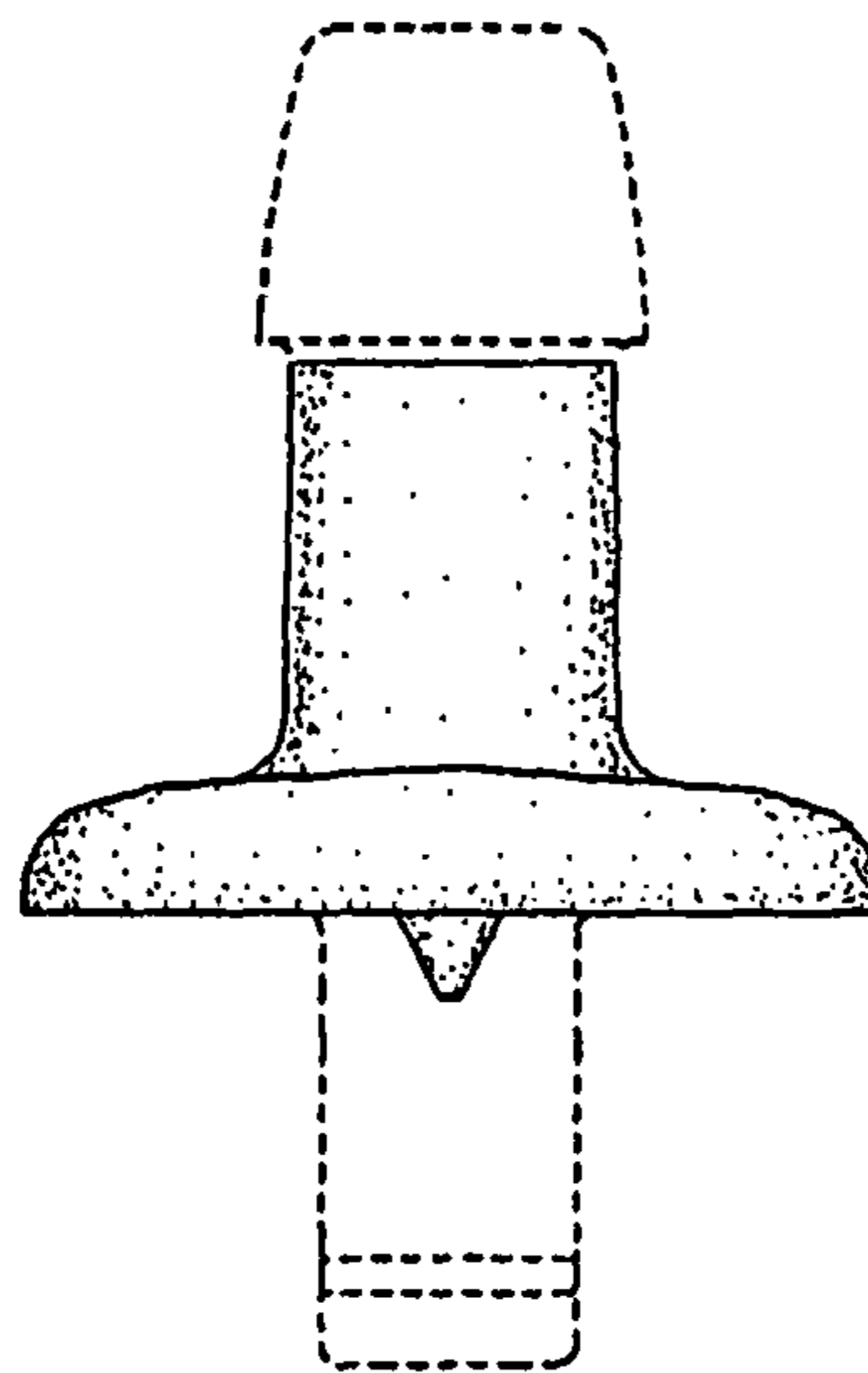


Fig. 7

