



US00D659520S

(12) **United States Design Patent**
Stock

(10) **Patent No.:** **US D659,520 S**

(45) **Date of Patent:** **** May 15, 2012**

(54) **GRIPPERS**

Primary Examiner — Holly Baynham

(76) Inventor: **Daniel F. Stock**, Belleville, IL (US)

(57) **CLAIM**

The ornamental design for grippers, as shown and described.

(**) Term: **14 Years**

(21) Appl. No.: **29/392,908**

DESCRIPTION

(22) Filed: **May 27, 2011**

(51) **LOC (9) Cl.** **08-05**

(52) **U.S. Cl.** **D8/373**

(58) **Field of Classification Search** D8/373;
248/113, 68.1

See application file for complete search history.

FIG. 1 is front perspective view of the grippers showing my new design, the grippers secured to a base to illustrate environment;

FIG. 2 is front plan view of the grippers showing my new design;

FIG. 3 is a rear plan view thereof;

FIG. 4 is a top plan view thereof;

FIG. 5 is a bottom plan view thereof;

FIG. 6 is the left side elevational view thereof; and,

FIG. 7 is the right side elevational view thereof.

The broken lines showing a base are for the purposes of illustrating environment and form no part of the claimed design.

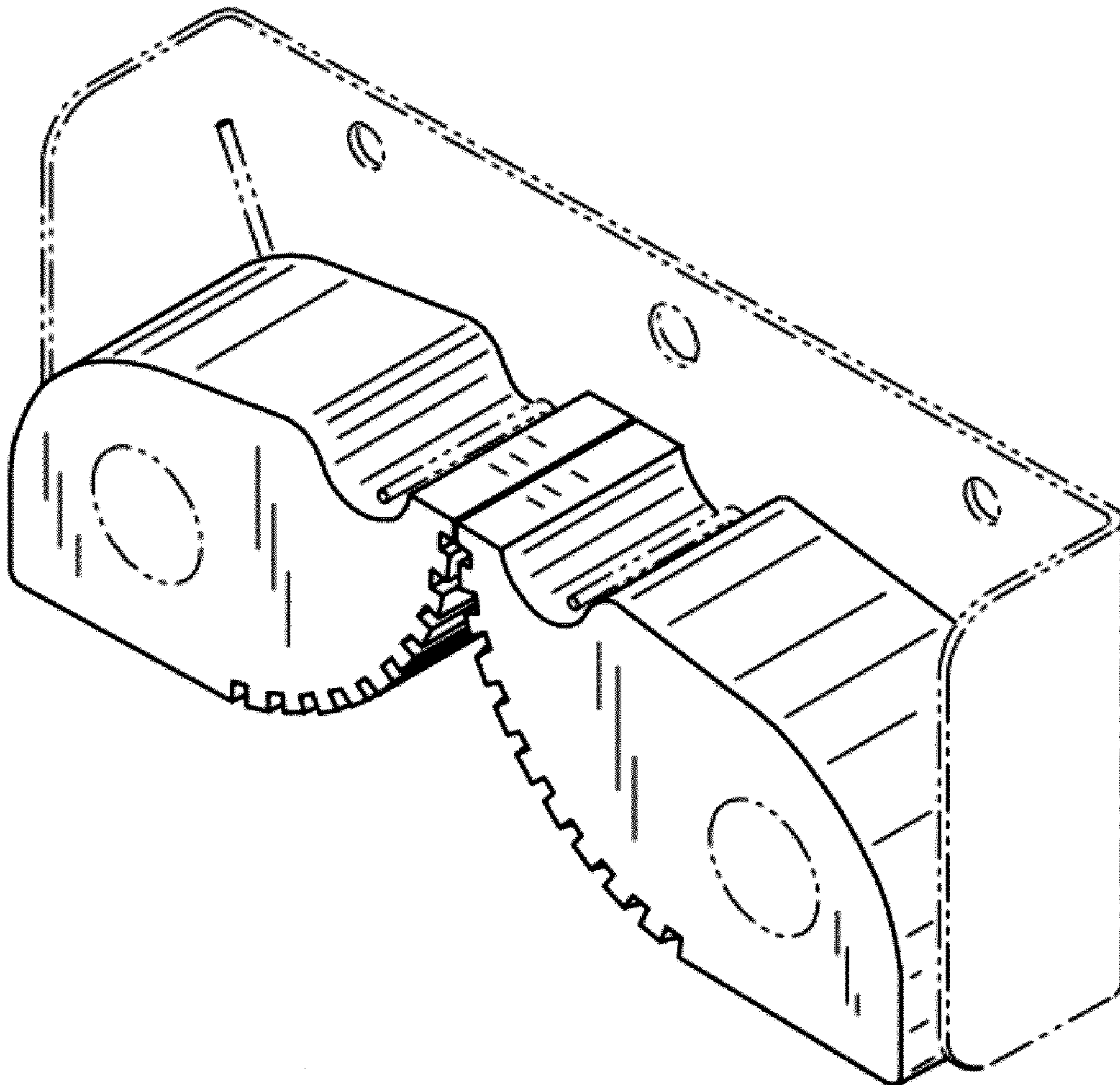
(56) **References Cited**

U.S. PATENT DOCUMENTS

1,563,817	A *	12/1925	Wright	248/113
1,589,616	A *	6/1926	Alford	248/113
1,798,028	A *	3/1931	Nachtigal	248/113
D326,220	S *	5/1992	Hampshire	D8/373

* cited by examiner

1 Claim, 2 Drawing Sheets



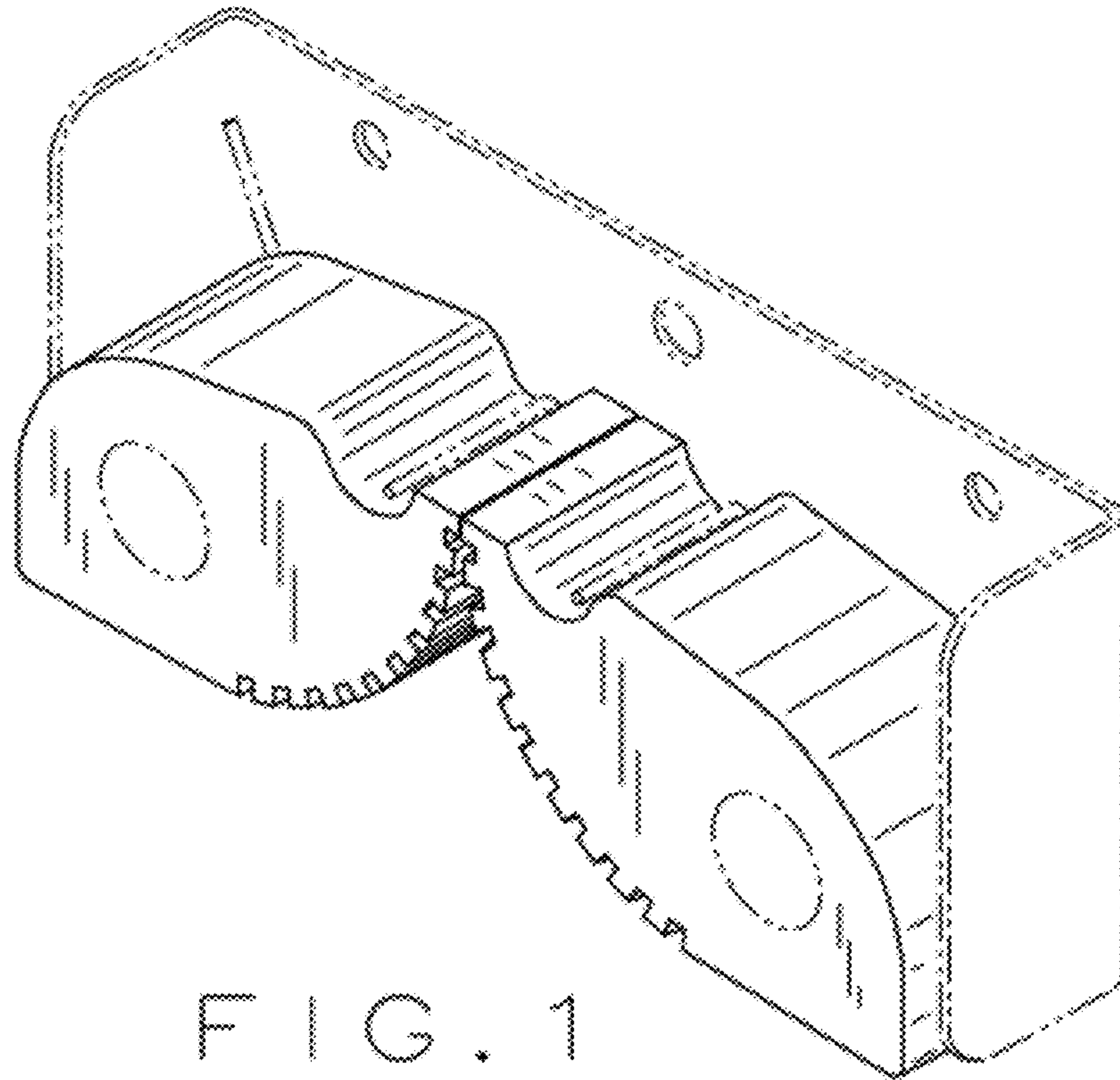


FIG. 1

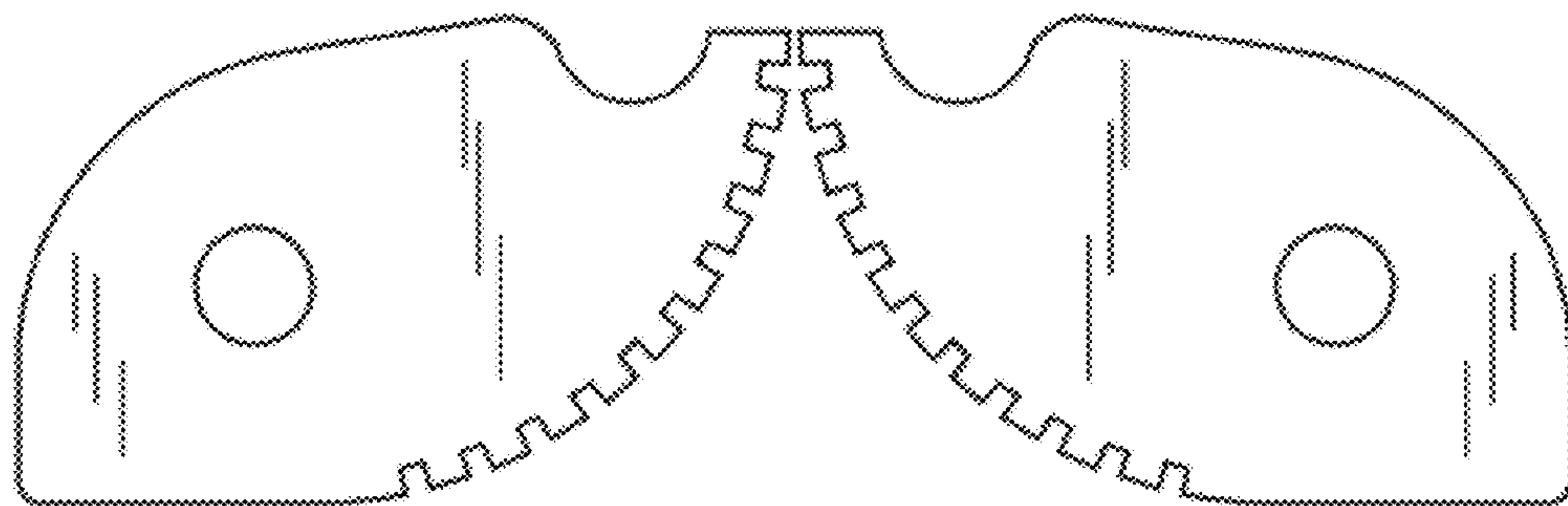


FIG. 2

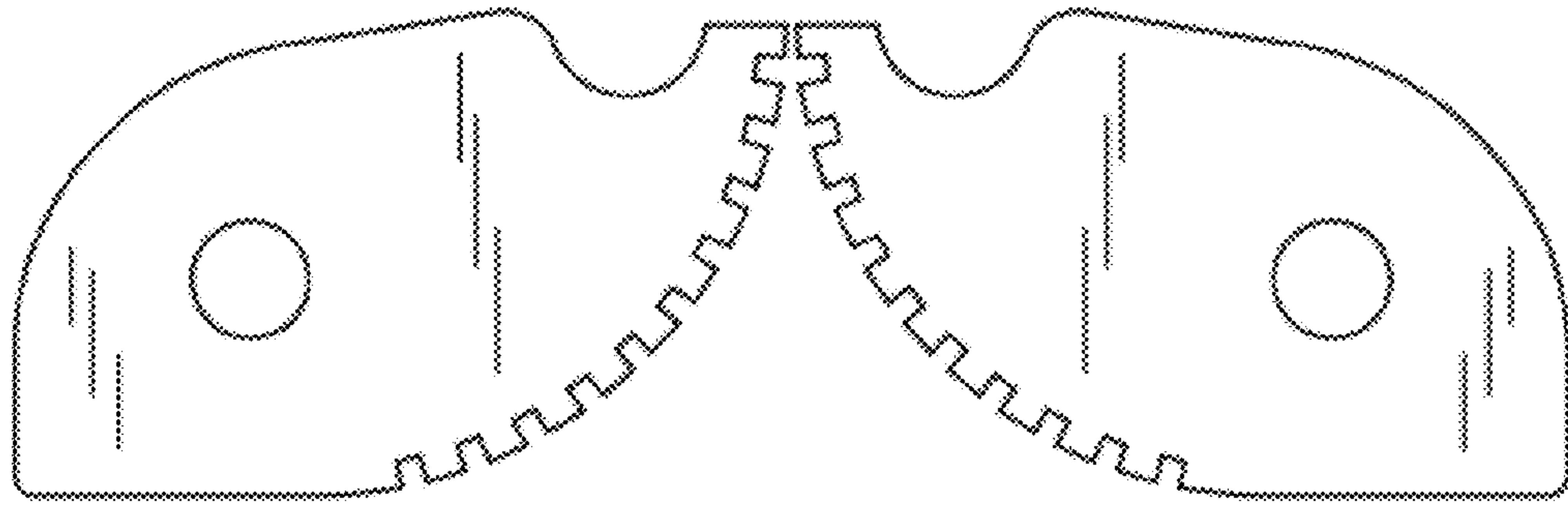


FIG. 3

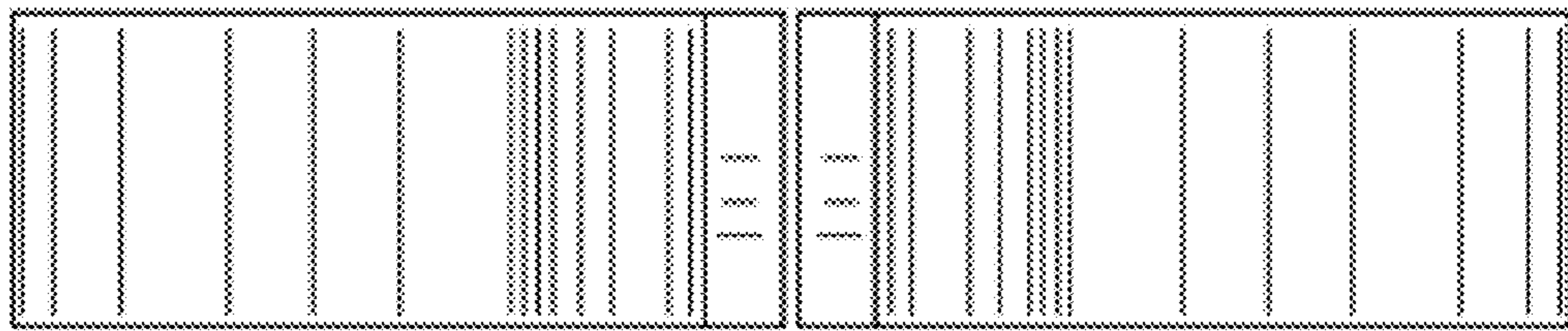


FIG. 4

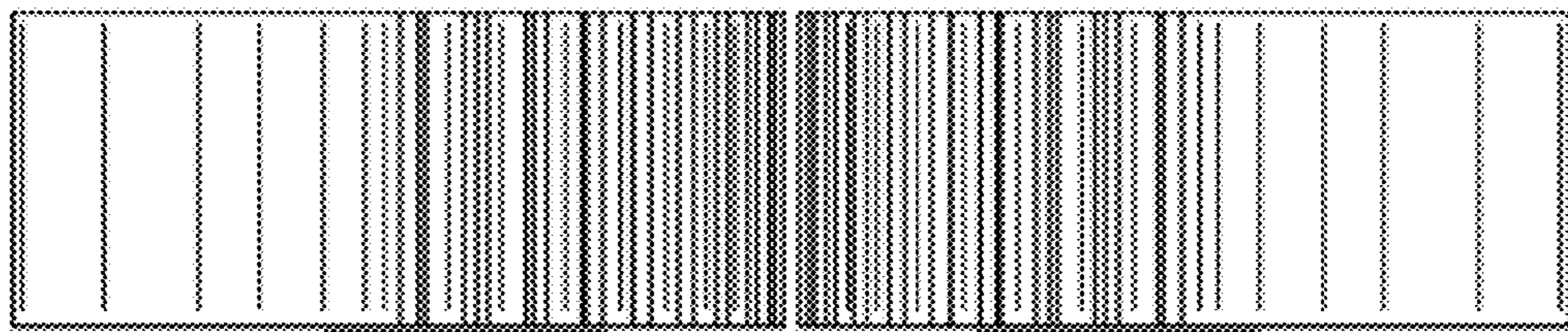


FIG. 5

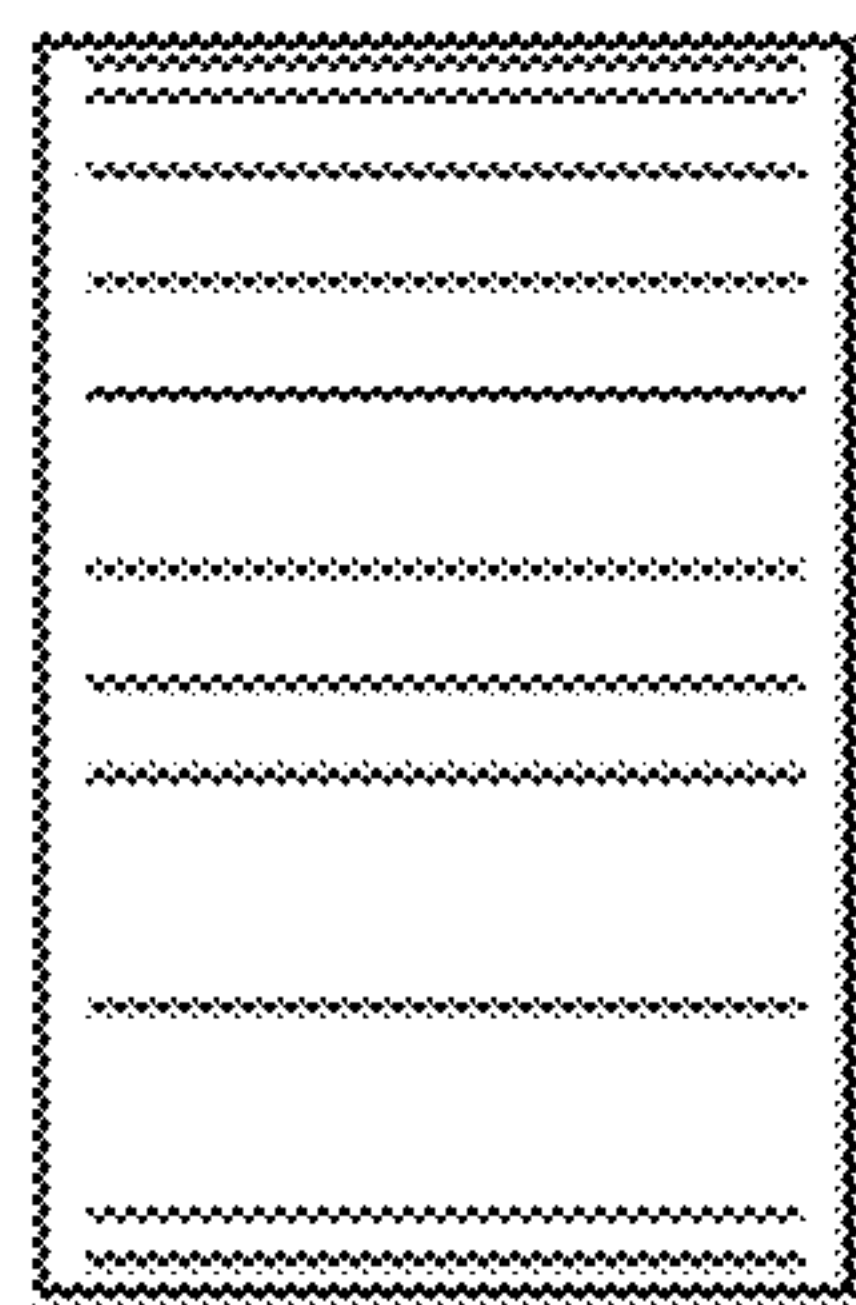


FIG. 6

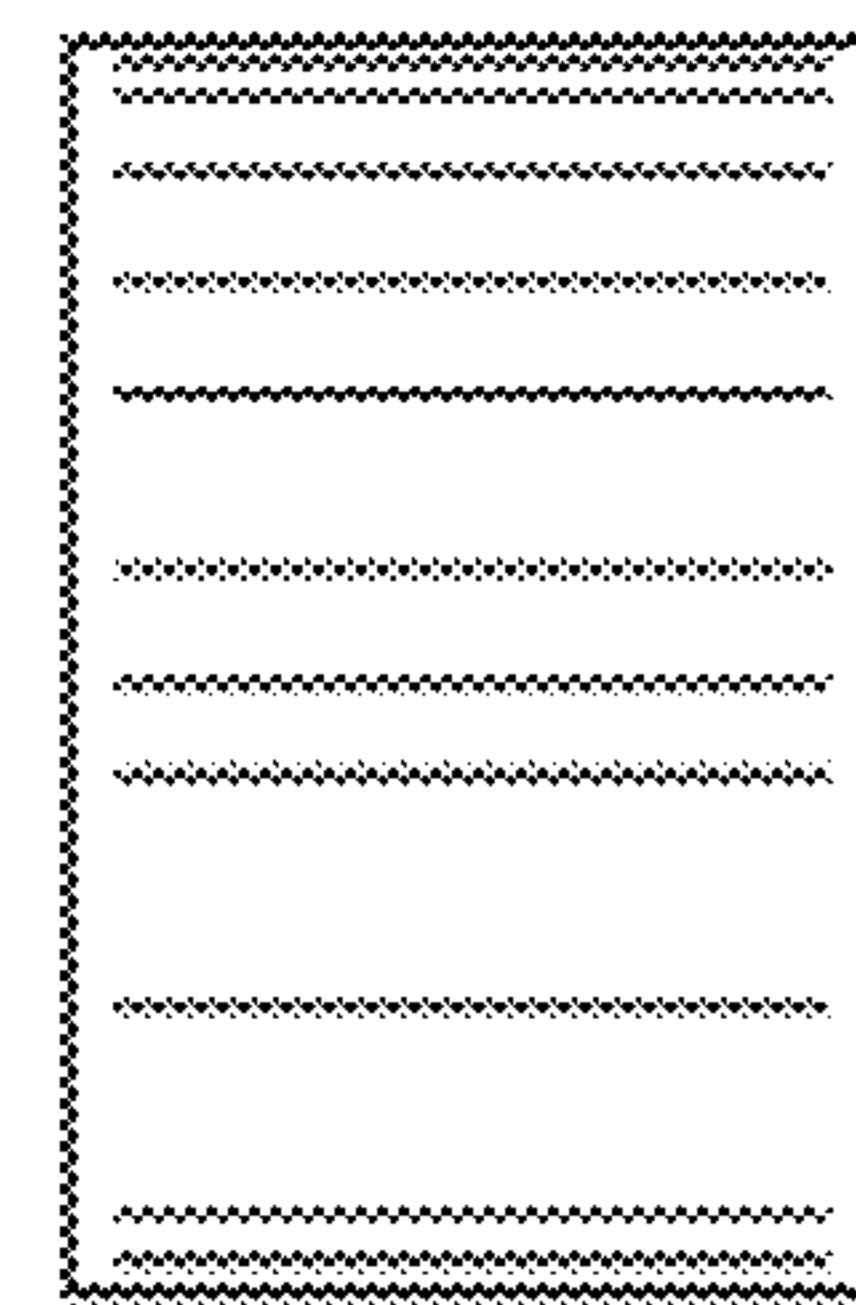


FIG. 7