



US00D659517S

(12) **United States Design Patent**
McGrath

(10) **Patent No.:** **US D659,517 S**

(45) **Date of Patent:** **** May 15, 2012**

(54) **ADJUSTABLE BRACKET**

(76) Inventor: **Andrew H. McGrath**, Concord, CA
(US)

(**) Term: **14 Years**

(21) Appl. No.: **29/376,555**

(22) Filed: **Oct. 8, 2010**

(51) **LOC (9) Cl.** **08-05**

(52) **U.S. Cl.** **D8/355; D8/382**

(58) **Field of Classification Search** D8/349,
D8/355, 382; D23/262, 266, 540, 68.1; D25/133;
256/65.01, 65.03, 65.07, 65; 403/385, 391,
403/3, 400, 300, 305, 217, 388; 248/62-65,
248/74.1, 200.1, 262

See application file for complete search history.

(56) **References Cited**

U.S. PATENT DOCUMENTS

D157,594 S *	3/1950	Hollaender	D8/382
D345,413 S *	3/1994	Brown	D23/263
D374,812 S *	10/1996	Hirano et al.	D8/382
D400,428 S *	11/1998	Sabounjian	D8/382
D418,396 S *	1/2000	Hirano et al.	D8/382
D418,398 S *	1/2000	Hirano	D8/382
D455,950 S *	4/2002	Unwin et al.	D8/382
D467,790 S *	12/2002	Roberts et al.	D8/356
D485,159 S *	1/2004	Junkers	D8/382
D560,476 S *	1/2008	Jones et al.	D8/382
D570,176 S *	6/2008	Franchini	D8/71

D573,453 S *	7/2008	Buckley	D8/382
D576,025 S *	9/2008	Mazzocco	D8/382
D606,389 S *	12/2009	Werschmidt	D8/382
D633,374 S *	3/2011	Diener	D8/382
D633,782 S *	3/2011	Tompkins	D8/382
D654,353 S *	2/2012	Tabler	D8/382

* cited by examiner

Primary Examiner — Mark Goodwin

(74) *Attorney, Agent, or Firm* — Charles L. Thoeming

(57) **CLAIM**

The ornamental design for an adjustable bracket, as shown and described.

DESCRIPTION

FIG. 1 is a rear perspective view of an adjustable bracket showing my new design.

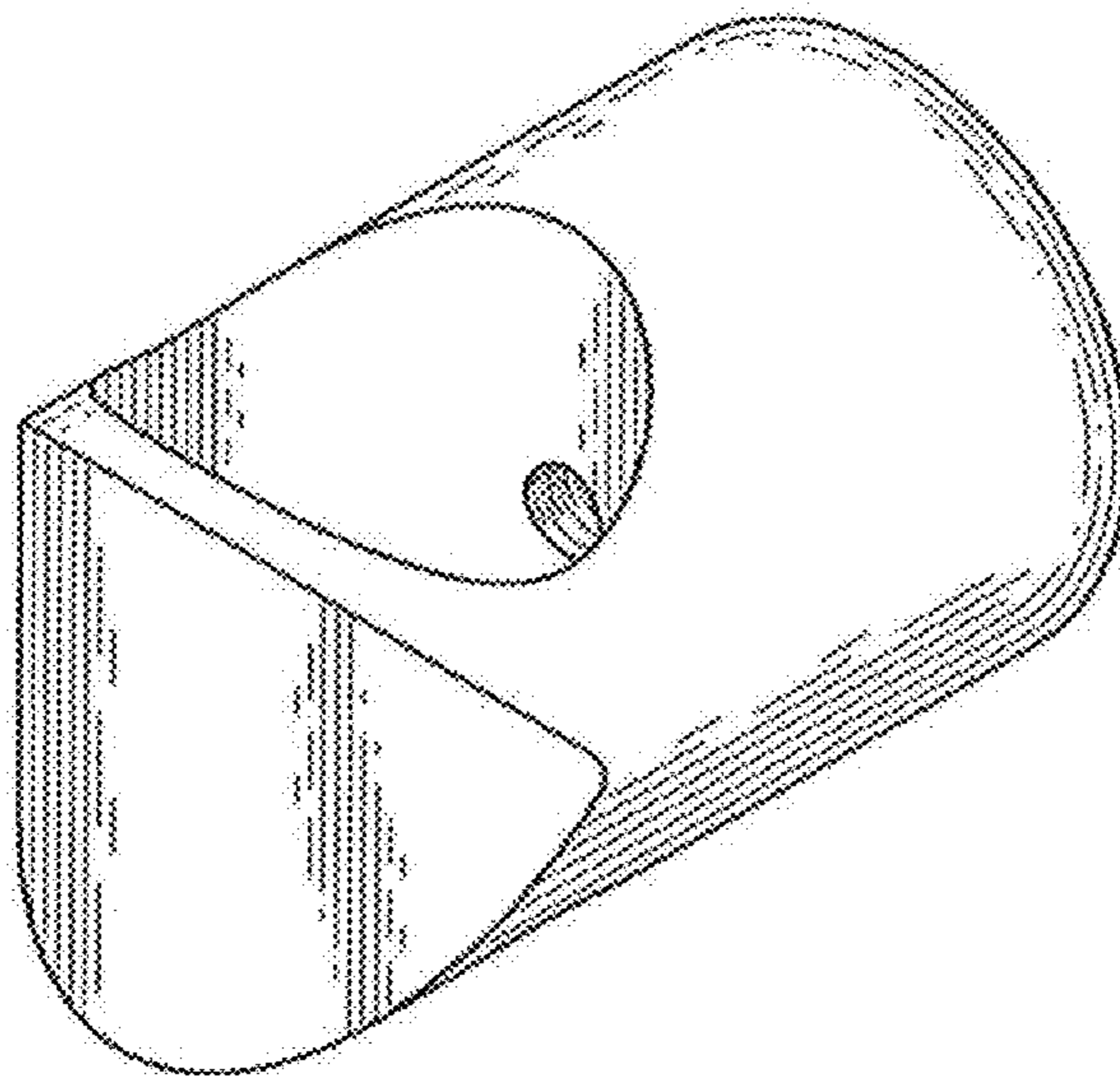
FIG. 2 is a top view of the adjustable bracket of FIG. 1; the bottom view of the adjustable bracket of FIG. 1 is the mirror image of FIG. 2.

FIG. 3 is a front view of the adjustable bracket of FIG. 1.

FIG. 4 is a right side view of the adjustable bracket of FIG. 1; the left side view of the adjustable bracket of FIG. 1 is the mirror image of FIG. 4.

FIG. 5 is a rear view of the adjustable bracket of FIG. 1; and, FIG. 6 is an environmental front perspective view of the adjustable bracket of FIG. 1 in an environment. The broken line showing of a partial pole of FIG. 6 is for illustrative purposes only and forms no part of the claimed design.

1 Claim, 1 Drawing Sheet



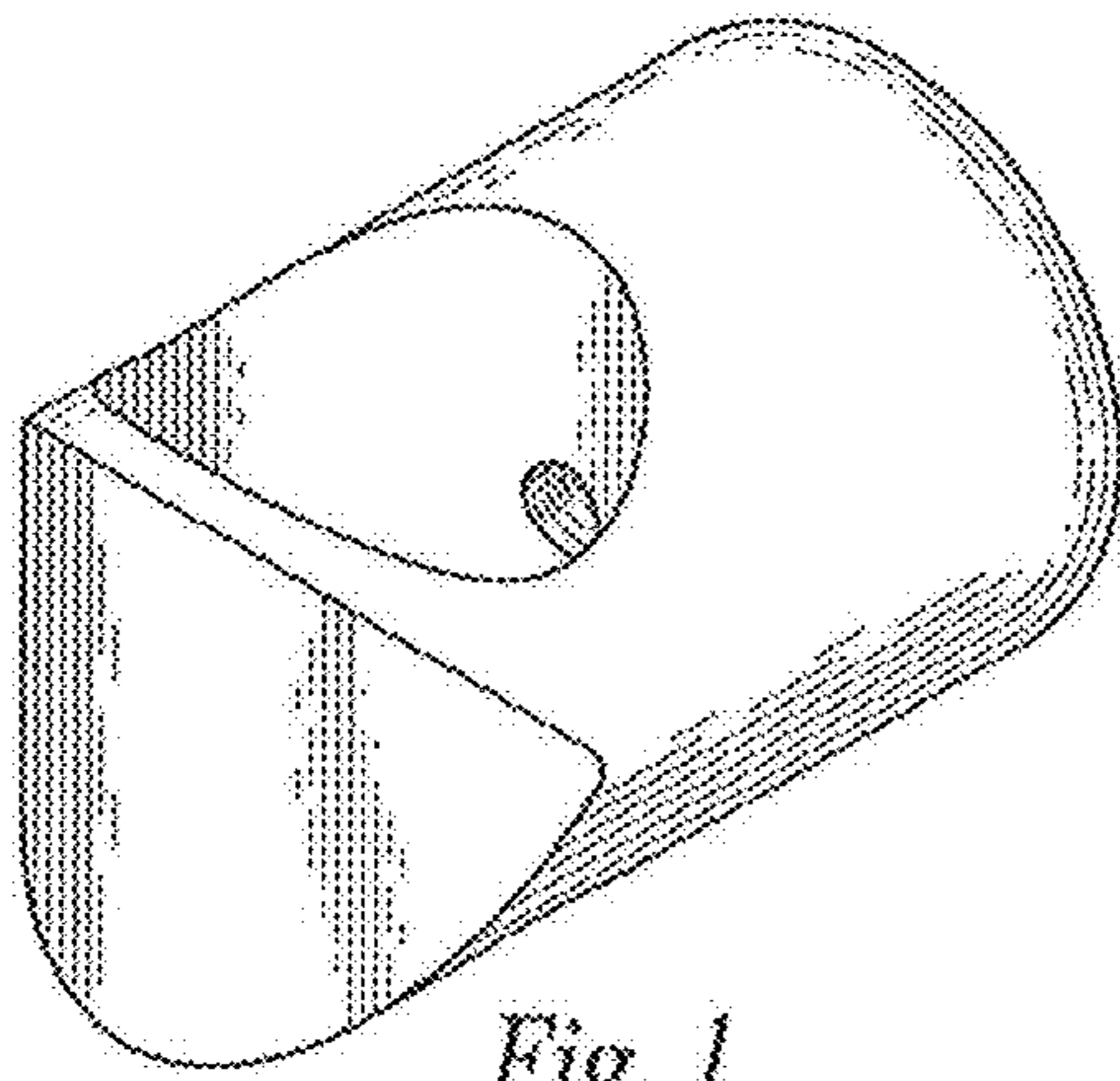


Fig. 1

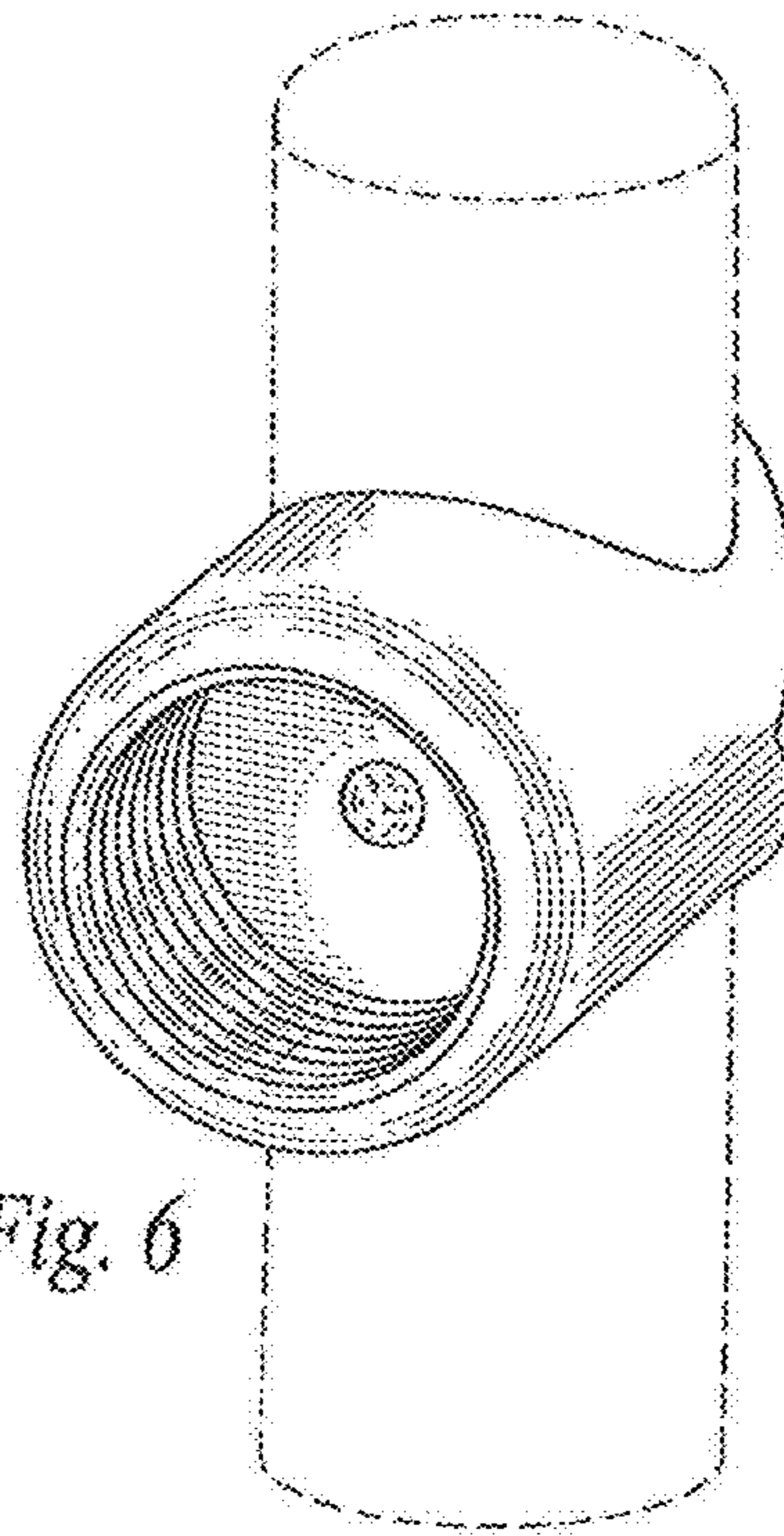


Fig. 6

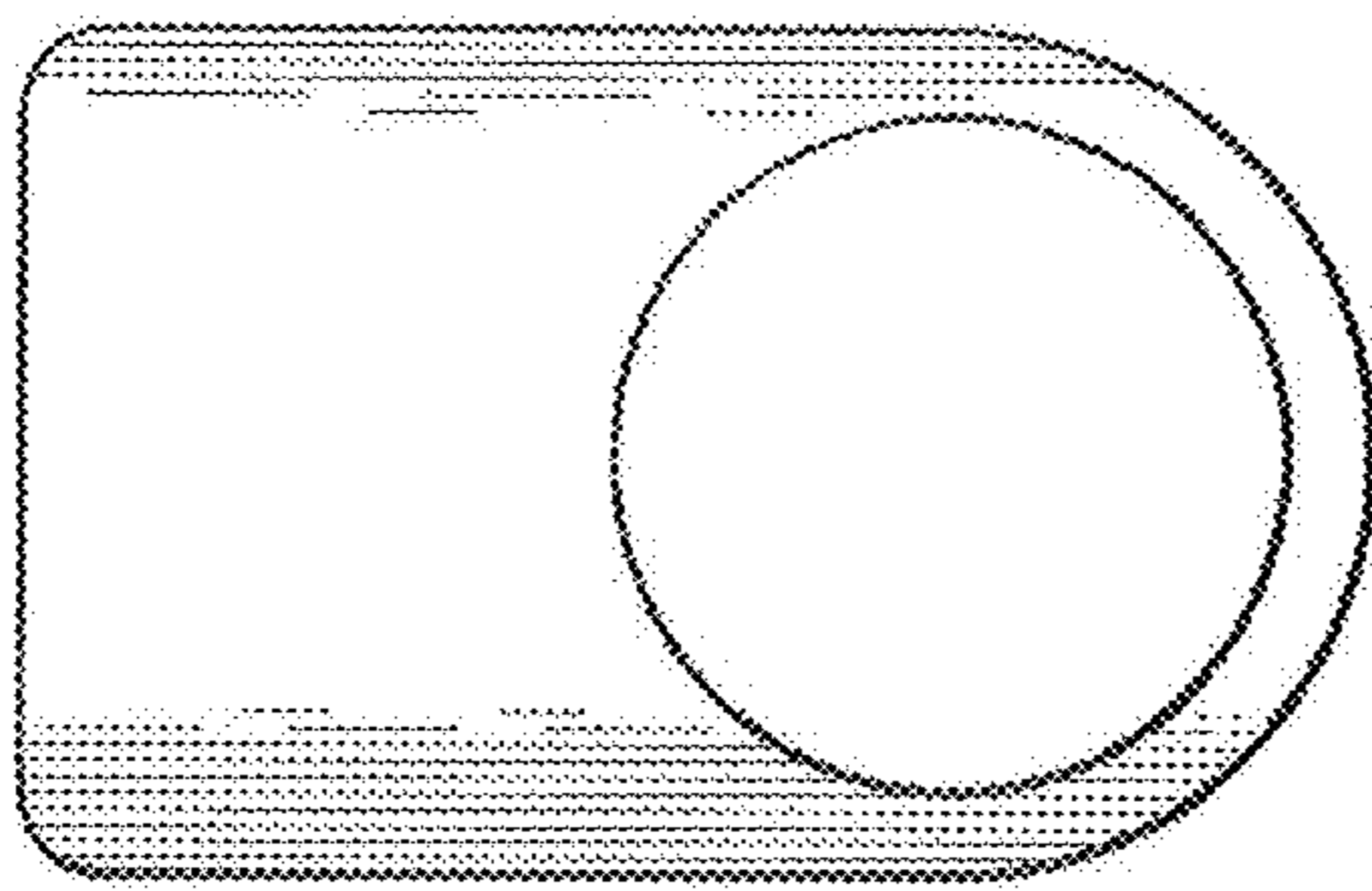


Fig. 2

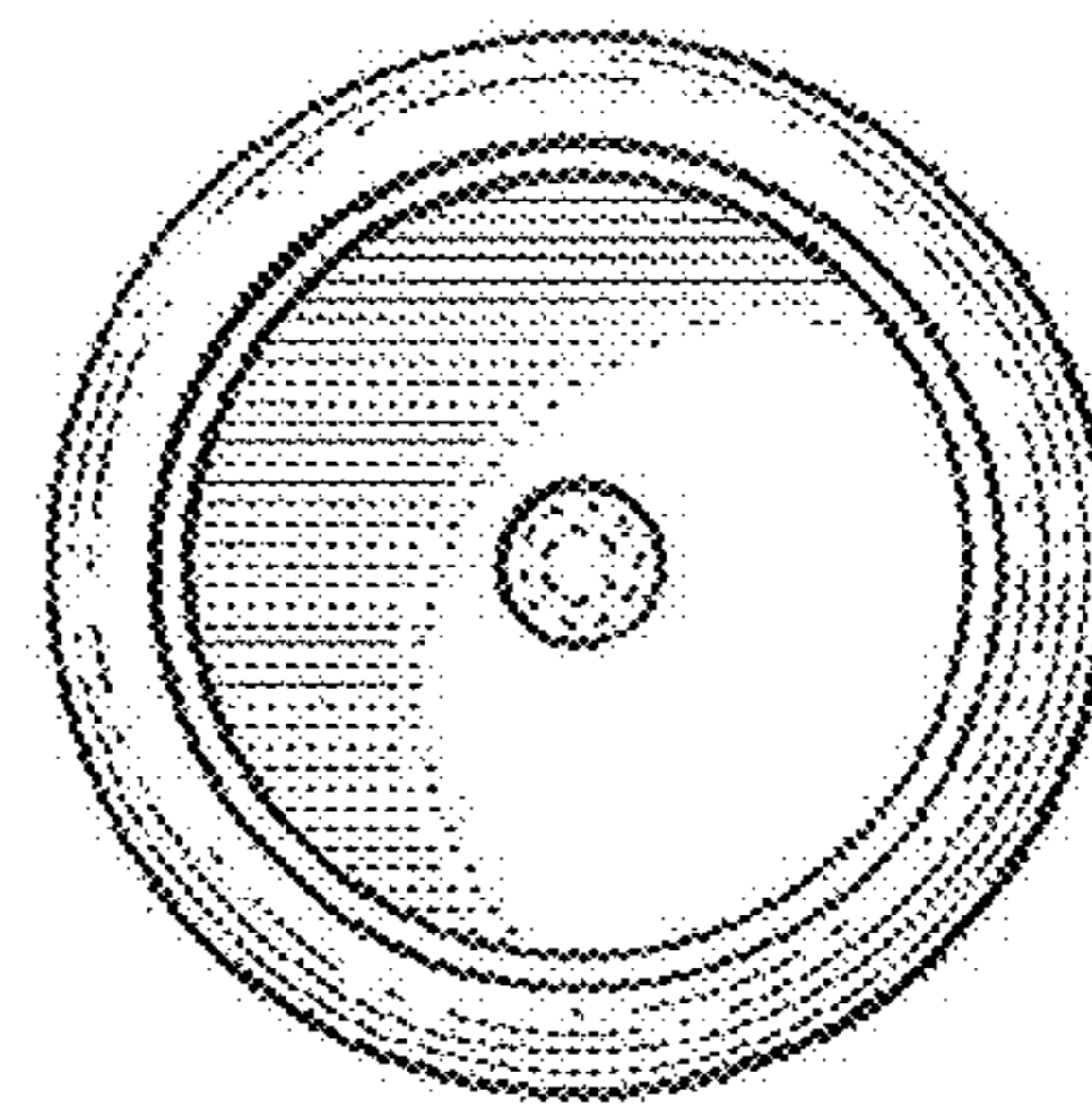


Fig. 3

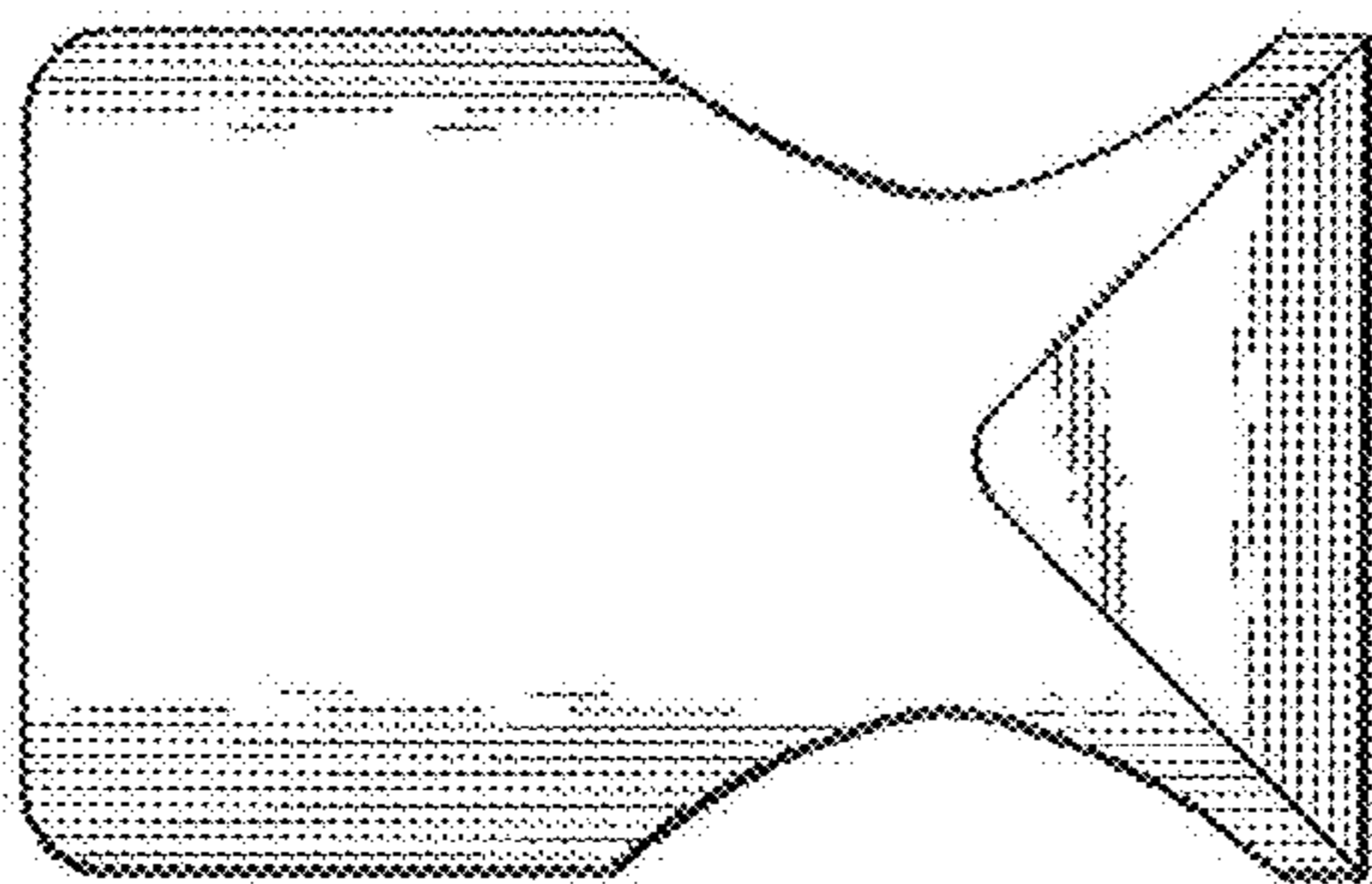


Fig. 4

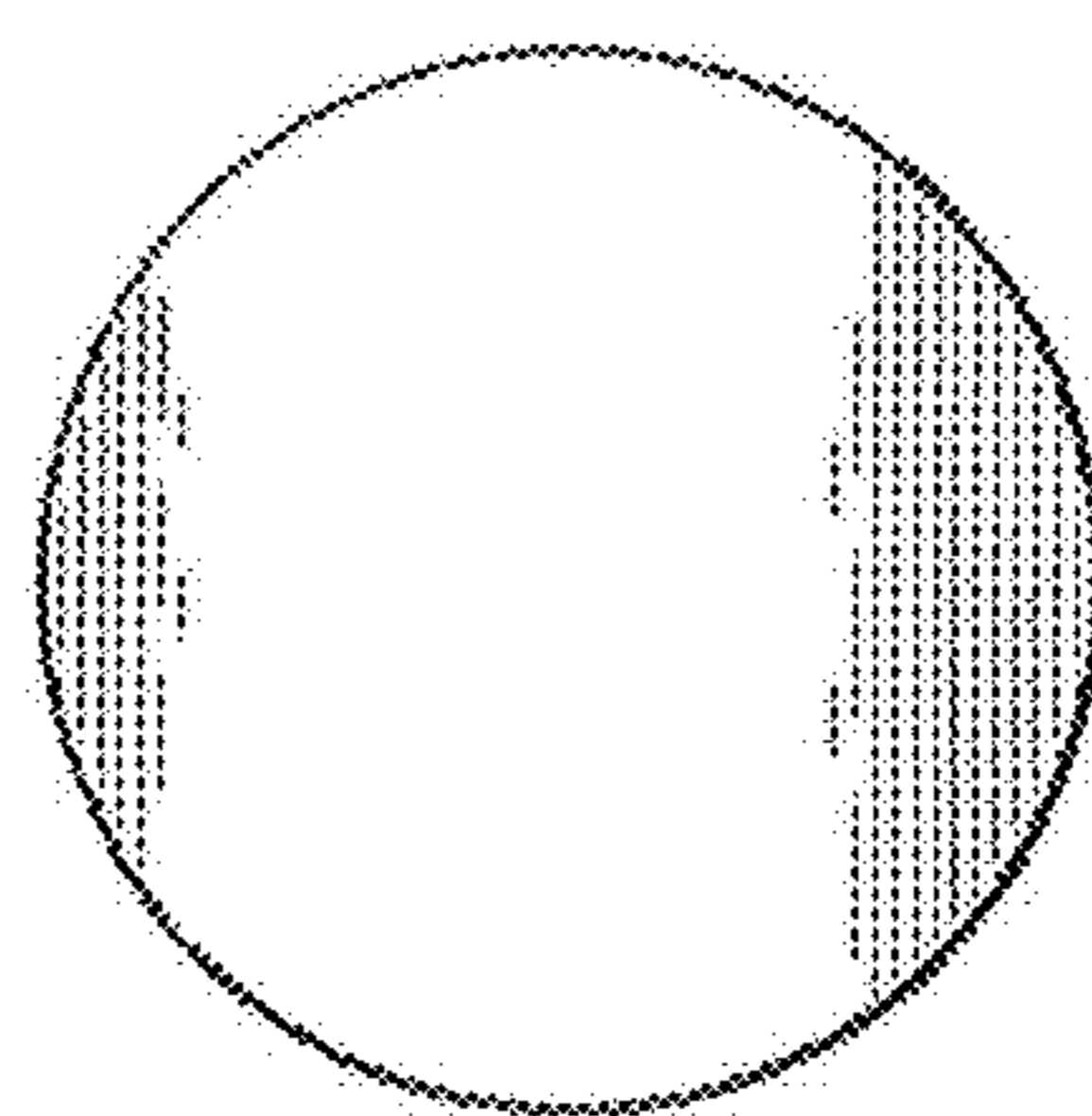


Fig. 5