



US00D659513S

(12) **United States Design Patent**
Lin

(10) **Patent No.:** **US D659,513 S**
(45) **Date of Patent:** **** May 15, 2012**

(54) **WALL-HUNG CARRIER FOR DUST COLLECTOR**

(75) Inventor: **Chih-Peng Lin**, Taichung Hsien (TW)

(73) Assignee: **Meta International Co., Ltd.**, Ta Ya Hsiang, Taichung Hsien (TW)

(**) Term: **14 Years**

(21) Appl. No.: **29/365,246**

(22) Filed: **Jul. 7, 2010**

(51) **LOC (9) Cl.** **08-08**

(52) **U.S. Cl.** **D8/349; D8/373; D8/381**

(58) **Field of Classification Search** D8/349, D8/354, 356, 363, 364, 380-383, 394, 397, D8/399, 395, 371, 366, 16, 19; 248/231.81; 24/3.12; 312/209, 245; 108/152; D6/553, D6/491

See application file for complete search history.

(56) **References Cited**

U.S. PATENT DOCUMENTS

1,765,410	A *	6/1930	Folberth et al.	248/300
2,219,975	A *	10/1940	Bentz	248/220.1
D192,849	S *	5/1962	McEvoy	D8/373
D196,676	S *	10/1963	Parks	D8/381
3,381,636	A *	5/1968	Saiberlich	108/152
D249,164	S *	8/1978	Grant	D25/199
4,160,570	A *	7/1979	Bridges	312/245
D260,851	S *	9/1981	Parker	D8/376
4,335,863	A *	6/1982	Rapps	248/316.7
4,530,482	A *	7/1985	Berinson	248/475.1
4,611,780	A *	9/1986	Robertson	248/477
D300,972	S *	5/1989	Streno	D34/6
4,843,977	A *	7/1989	Bridges	108/152
5,222,611	A *	6/1993	Wood et al.	211/94.01
5,332,108	A *	7/1994	Blass	211/90.02
5,425,525	A *	6/1995	Cevasco	248/551
D372,191	S *	7/1996	Bennett	D8/403
D398,283	S *	9/1998	Miller	D12/223
6,076,904	A *	6/2000	Shepherd et al.	312/209

6,286,802	B1 *	9/2001	Munson et al.	248/475.1
6,322,039	B1 *	11/2001	De Luccia	248/553
D477,210	S *	7/2003	Callahan et al.	D8/349
D492,187	S *	6/2004	Mottini	D8/354
D506,125	S *	6/2005	Munson et al.	D8/373
D506,919	S *	7/2005	Munson et al.	D8/373
D507,959	S *	8/2005	Mottini	D8/354
D538,211	S *	3/2007	Panepento	D12/181
D542,631	S *	5/2007	Munson et al.	D8/373
D592,945	S *	5/2009	Mahan	D8/381
D605,930	S *	12/2009	Piersant	D8/381
7,708,252	B2 *	5/2010	Vander Berg et al.	248/544
2002/0125389	A1 *	9/2002	Chu	248/235
2002/0145095	A1 *	10/2002	Winkler	248/300

* cited by examiner

Primary Examiner — Jeffrey D Asch

(74) *Attorney, Agent, or Firm* — Alan Kamrath; Kamrath IP Lawfirm, PA

(57) **CLAIM**

The ornamental design for wall-hung carrier for dust collector, as shown and described.

DESCRIPTION

FIG. 1 is a perspective view of a wall-hung carrier for dust collector showing my new design;

FIG. 2 is a front view thereof;

FIG. 3 is a rear view thereof;

FIG. 4 is a left view thereof;

FIG. 5 is a right view thereof;

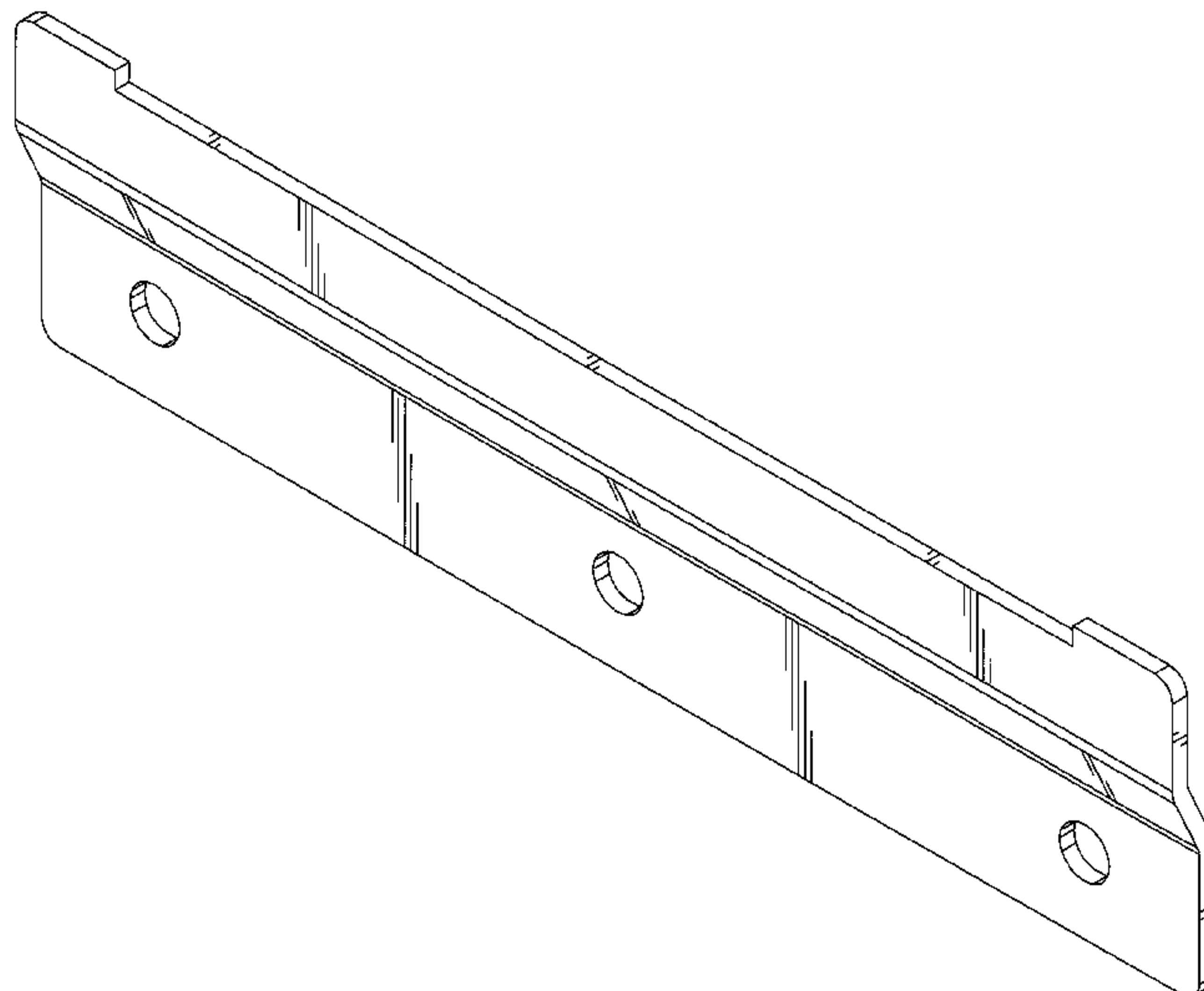
FIG. 6 is a top view thereof;

FIG. 7 is a bottom view thereof;

FIG. 8 is the perspective view embodying the utilization of wall-hung carrier for dust collector in which the broken line is for illustrative purposes only and forms no part of the claimed design; and,

FIG. 9 is the right view embodying the utilization of wall-hung carrier for dust collector in which the broken line is for illustrative purposes only and for forms no part of the claimed design.

1 Claim, 6 Drawing Sheets



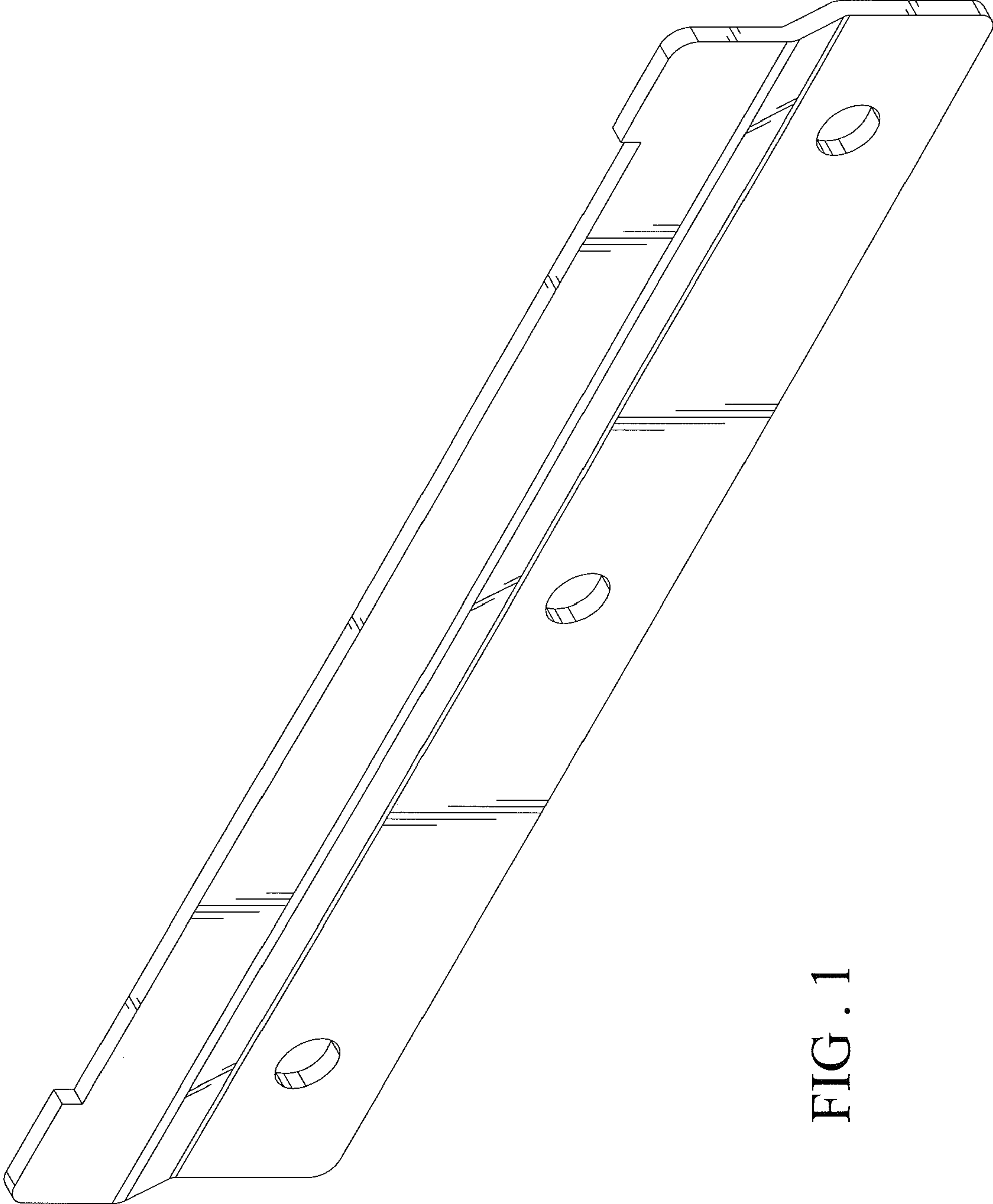


FIG. 1

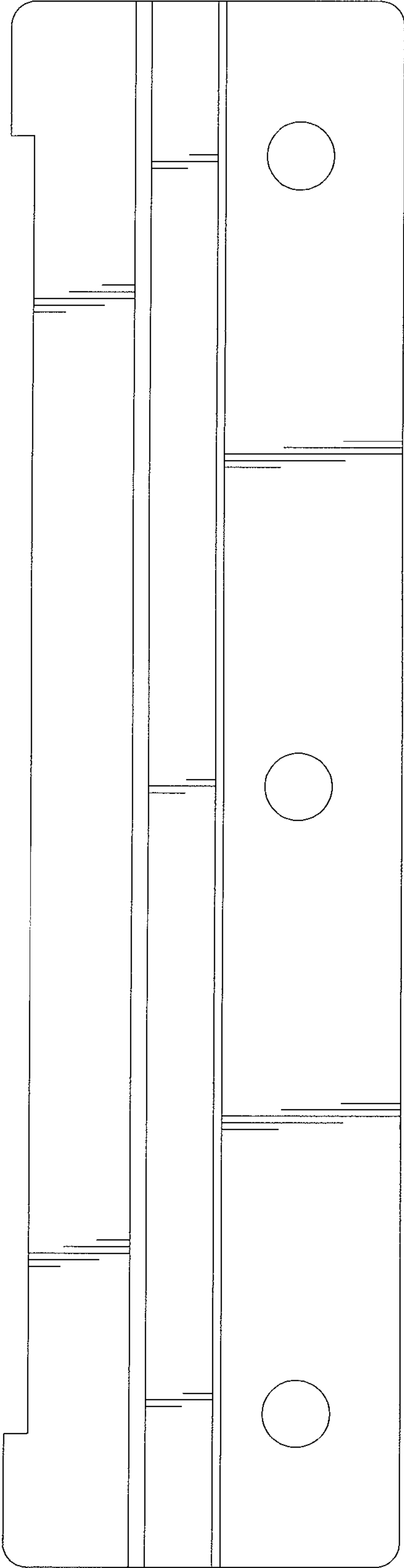


FIG. 2

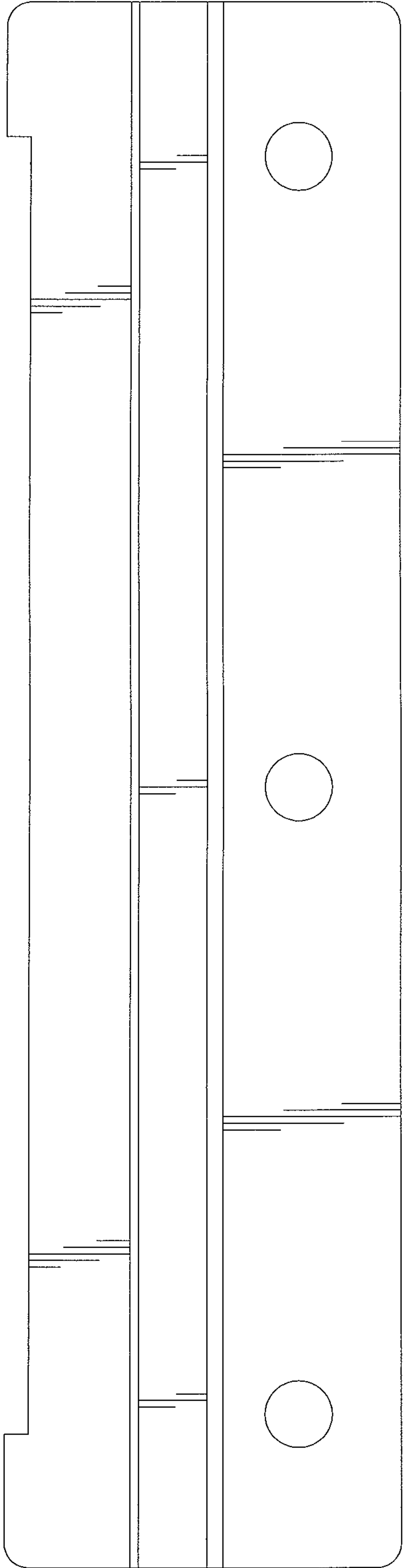


FIG. 3

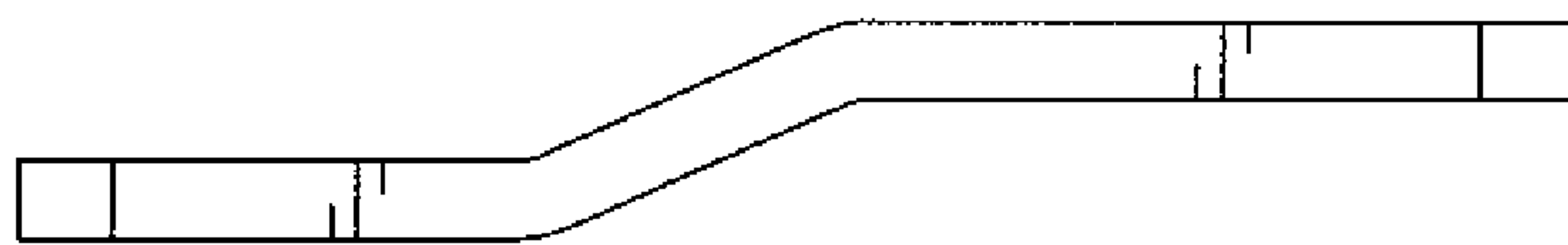


FIG. 4

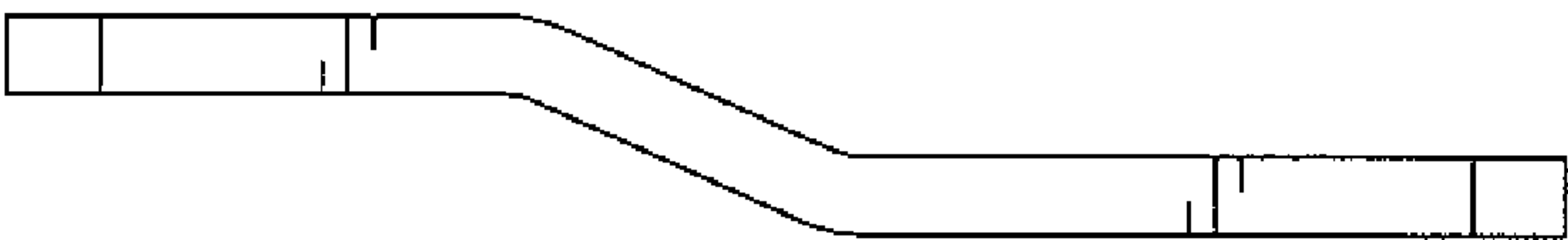


FIG. 5

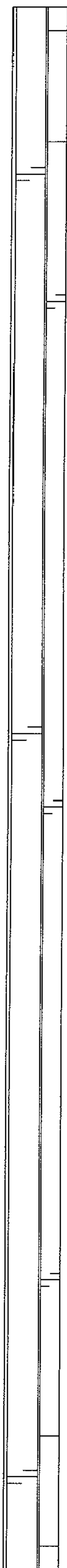


FIG. 6



FIG. 7

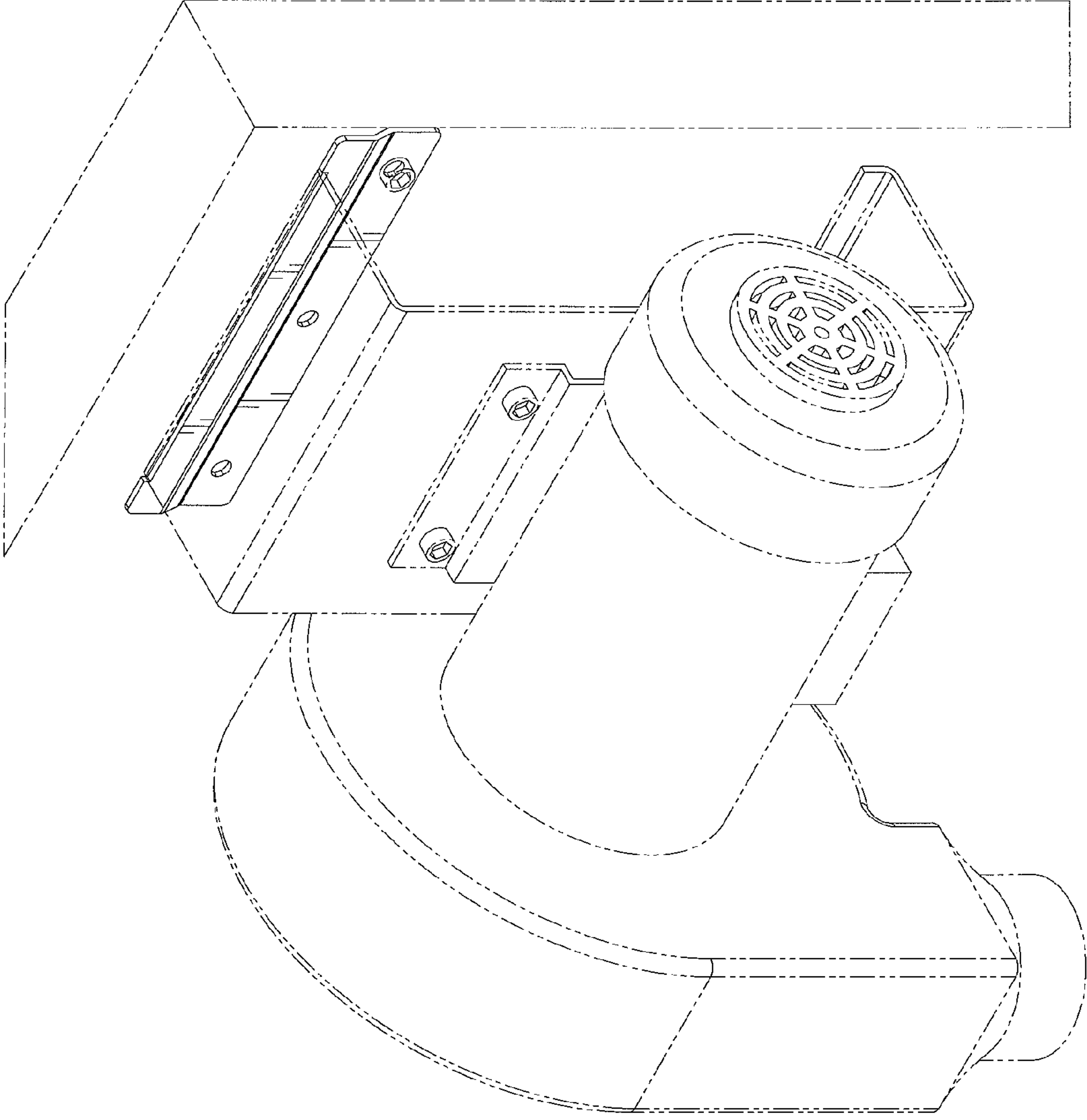


FIG . 8

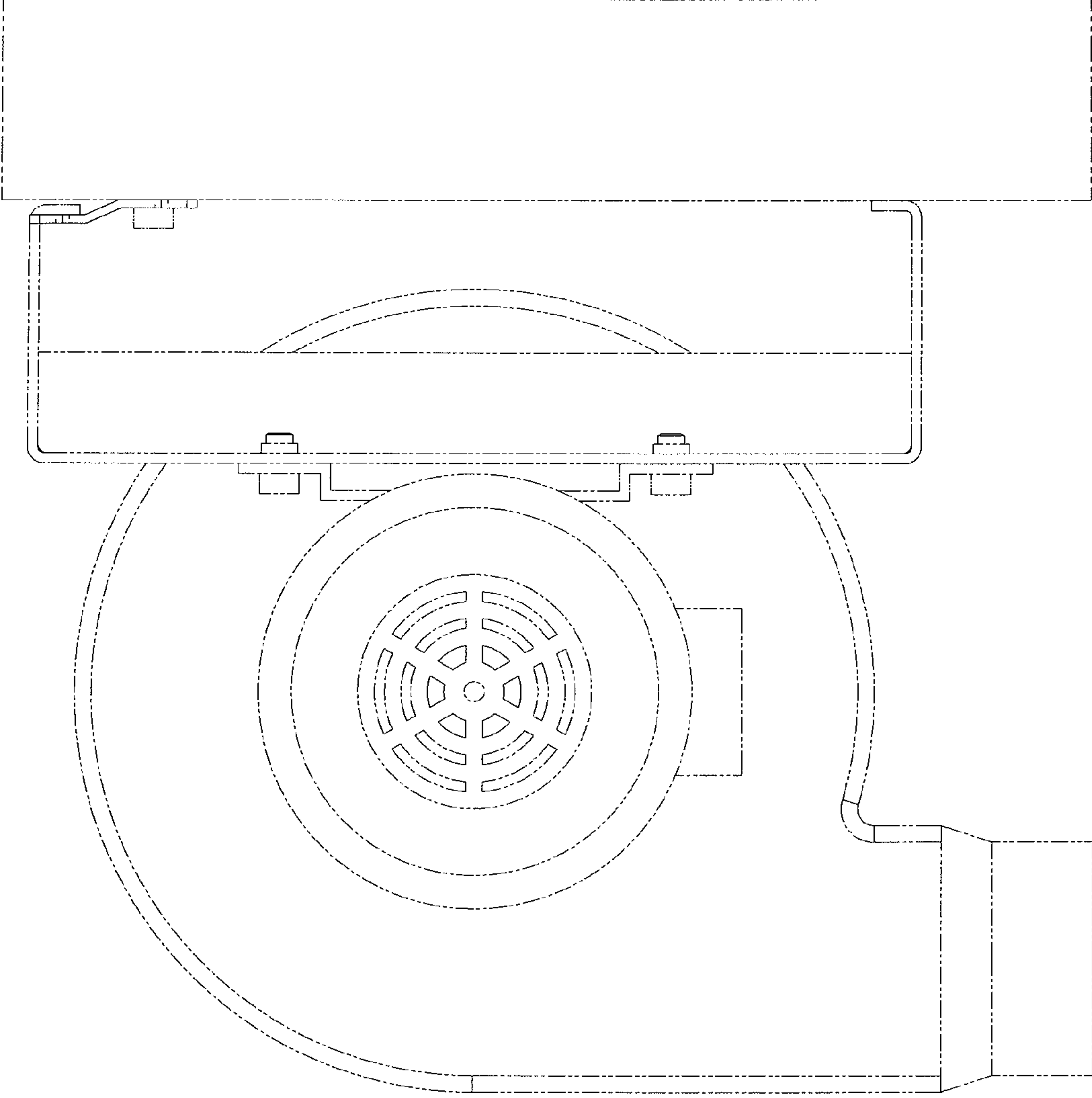


FIG. 9