



US00D659512S

(12) **United States Design Patent**  
**Dhaliwal**

(10) **Patent No.:** **US D659,512 S**

(45) **Date of Patent:** **\*\* May 15, 2012**

(54) **SEMI-AUTOMATIC KEY**

(76) **Inventor:** **Sukhwinder Singh Dhaliwal,**  
Sacramento, CA (US)

(\*\*) **Term:** **14 Years**

(21) **Appl. No.:** **29/399,575**

(22) **Filed:** **Aug. 16, 2011**

(51) **LOC (9) Cl.** ..... **08-07**

(52) **U.S. Cl.** ..... **D8/348**

(58) **Field of Classification Search** ..... D8/347,  
D8/348, 330, 82; 70/51, 393, 401, 405-408,  
70/450, 336, 345, 346, 265, 371, 271, 423-430  
See application file for complete search history.

(56) **References Cited**

**U.S. PATENT DOCUMENTS**

2,529,815	A *	11/1950	Rothe	.....	40/330
2,633,006	A *	3/1953	Taylor	.....	249/82
D188,343	S *	7/1960	Sedler	.....	D8/348
3,338,078	A *	8/1967	Eberitch et al.	.....	70/428
D211,827	S *	7/1968	Reisner	.....	D8/348
D215,267	S *	9/1969	Reisner	.....	D8/348
D225,301	S *	12/1972	Uliano	.....	D8/348
4,747,282	A *	5/1988	Nyun	.....	70/426

4,986,554	A *	1/1991	Rathbun	.....	279/149
D492,186	S *	6/2004	Howard	.....	D8/347
7,443,945	B2 *	10/2008	Bruder et al.	.....	378/7
D632,543	S *	2/2011	Liu	.....	D8/348
D633,370	S *	3/2011	Rand	.....	D8/348

\* cited by examiner

*Primary Examiner* — Prabhakar Deshmukh

(74) *Attorney, Agent, or Firm* — Patent Law Offices of Rick Martin, P.C.

(57) **CLAIM**

The ornamental design for a semi automatic key, as shown and described.

**DESCRIPTION**

FIG. 1 is a front perspective view of a semi-automatic key showing my new design;  
FIG. 2 is a front elevational view thereof;  
FIG. 3 is rear elevational view thereof;  
FIG. 4 is a left side elevational view thereof;  
FIG. 5 is a right side elevational view thereof;  
FIG. 6 is a top plan view thereof; and,  
FIG. 7 is a bottom plan view thereof.  
The broken lines are for illustrative purpose only and form no part of the claimed design.

**1 Claim, 3 Drawing Sheets**



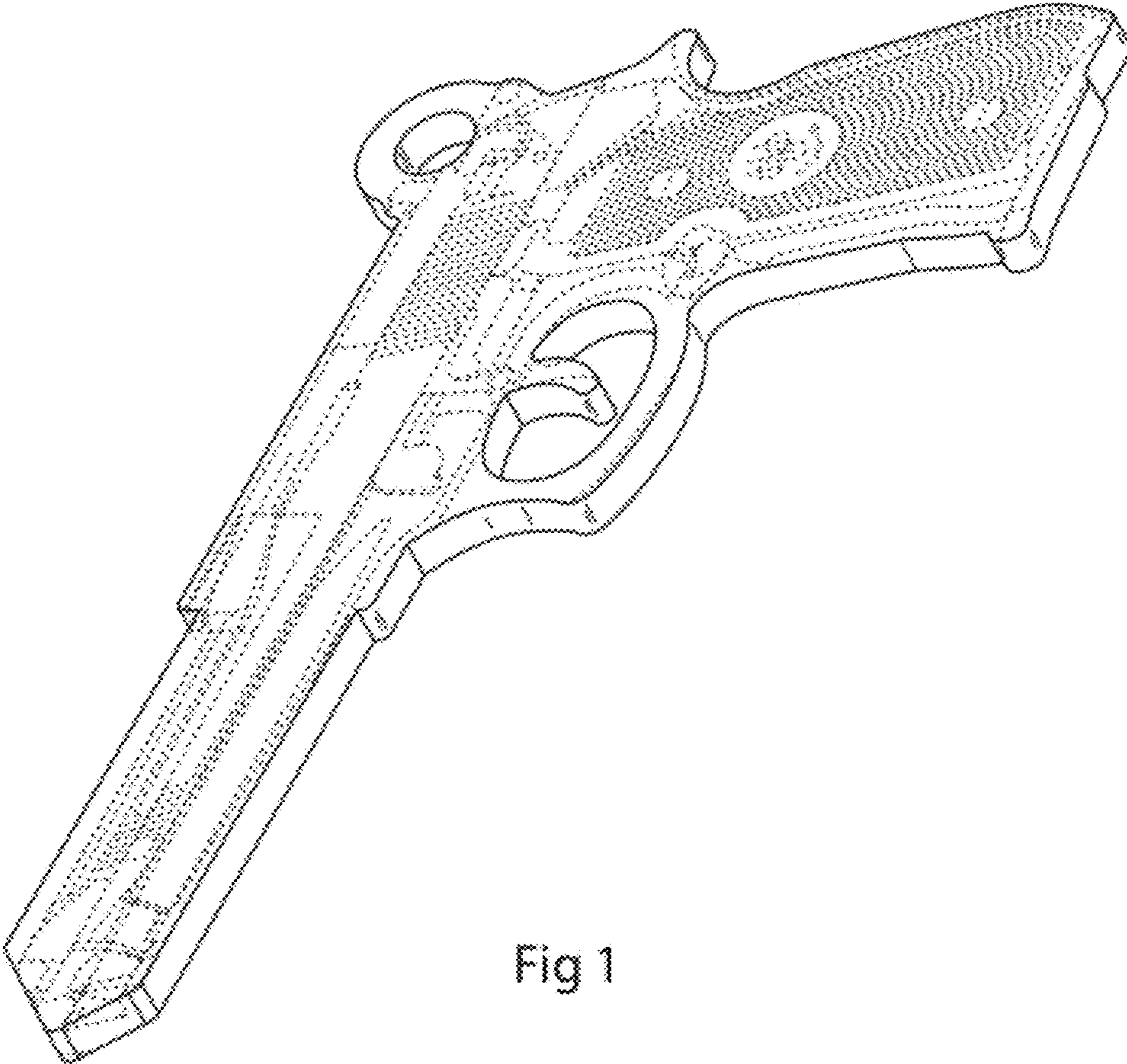


Fig 1

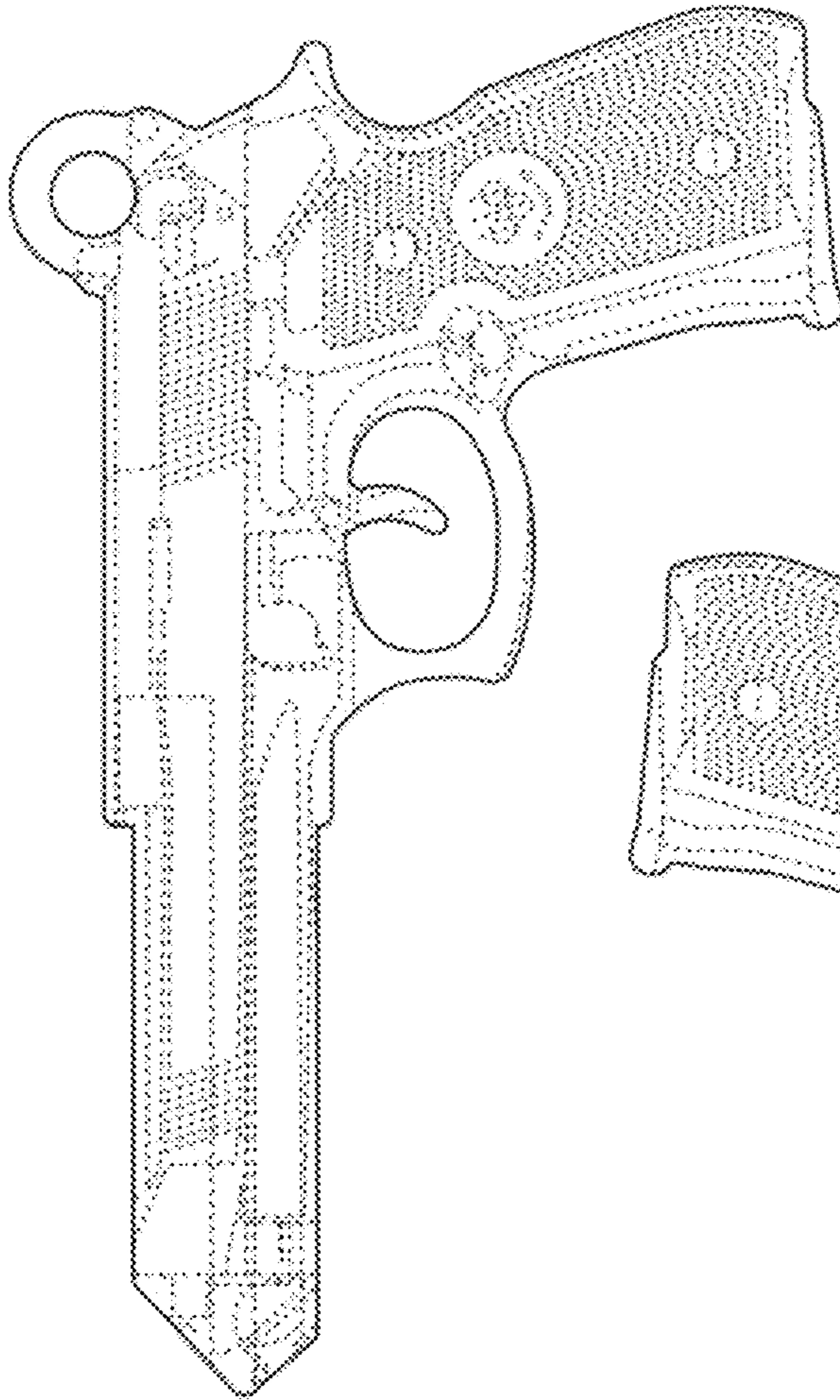


Fig 2

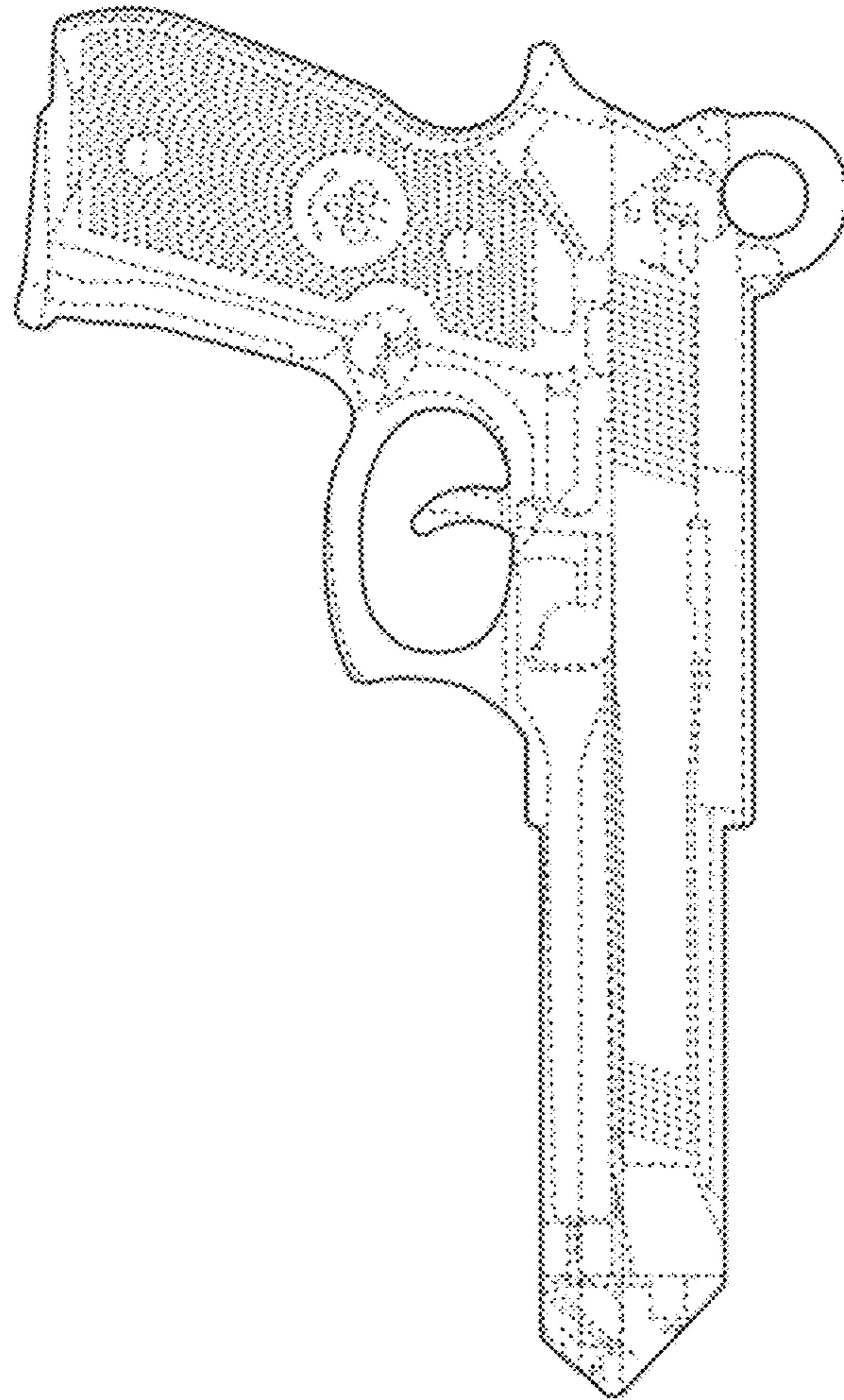


Fig 3

Fig 4

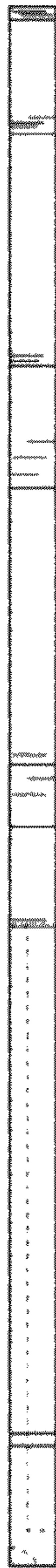


Fig 5



Fig 6



Fig 7

