



US00D659505S

(12) **United States Design Patent**
Sakuma

(10) **Patent No.:** **US D659,505 S**
(45) **Date of Patent:** **** May 15, 2012**

(54) **HANDLE**

(75) Inventor: **Yuuko Sakuma**, Tokyo (JP)

(73) Assignee: **Sugatsune Kogyo Co., Ltd.**, Tokyo (JP)

(**) Term: **14 Years**

(21) Appl. No.: **29/347,764**

(22) Filed: **May 25, 2010**

(30) **Foreign Application Priority Data**

Nov. 27, 2009 (JP) 2009-027711

(51) **LOC (9) Cl.** **08-06**

(52) **U.S. Cl.** **D8/313**

(58) **Field of Classification Search** D8/300,
D8/301, 302, 305, 306-313, 315-318, 319-322,
D8/DIG. 1, DIG. 2, DIG. 10; D15/89; D7/393,
D7/394; D3/318; D6/549, 524, 533, 550,
D6/546; D23/303, 304, 305, 250-254; 16/441,
16/118, 110 R, 111 R, DIG. 19, DIG. 30,
16/110.1, 412, 414-420, 443-446; 292/336.3;
211/16, 182; 220/752-754

See application file for complete search history.

(56) **References Cited**

U.S. PATENT DOCUMENTS

D196,424 S * 10/1963 Are D8/306
D225,717 S * 1/1973 Watt, Jr. D8/306
D281,665 S * 12/1985 Weirnerman et al. D8/302
D371,500 S * 7/1996 McConnell et al. D8/302
D390,086 S * 2/1998 Weirnerman et al. D8/306

D394,373 S * 5/1998 Weirnerman et al. D8/306
D465,142 S * 11/2002 Weirnerman et al. D8/302
D489,957 S * 5/2004 Lane D8/306
D494,836 S * 8/2004 Bertani D8/313
D502,380 S * 3/2005 Misner et al. D8/302
D502,642 S * 3/2005 Misner et al. D8/302
D572,997 S * 7/2008 Gulley D8/302
D581,767 S * 12/2008 Thompson D8/313
D634,603 S * 3/2011 Koehn D8/313

* cited by examiner

Primary Examiner — Mark Goodwin

(74) *Attorney, Agent, or Firm* — Bacon & Thomas, PLLC

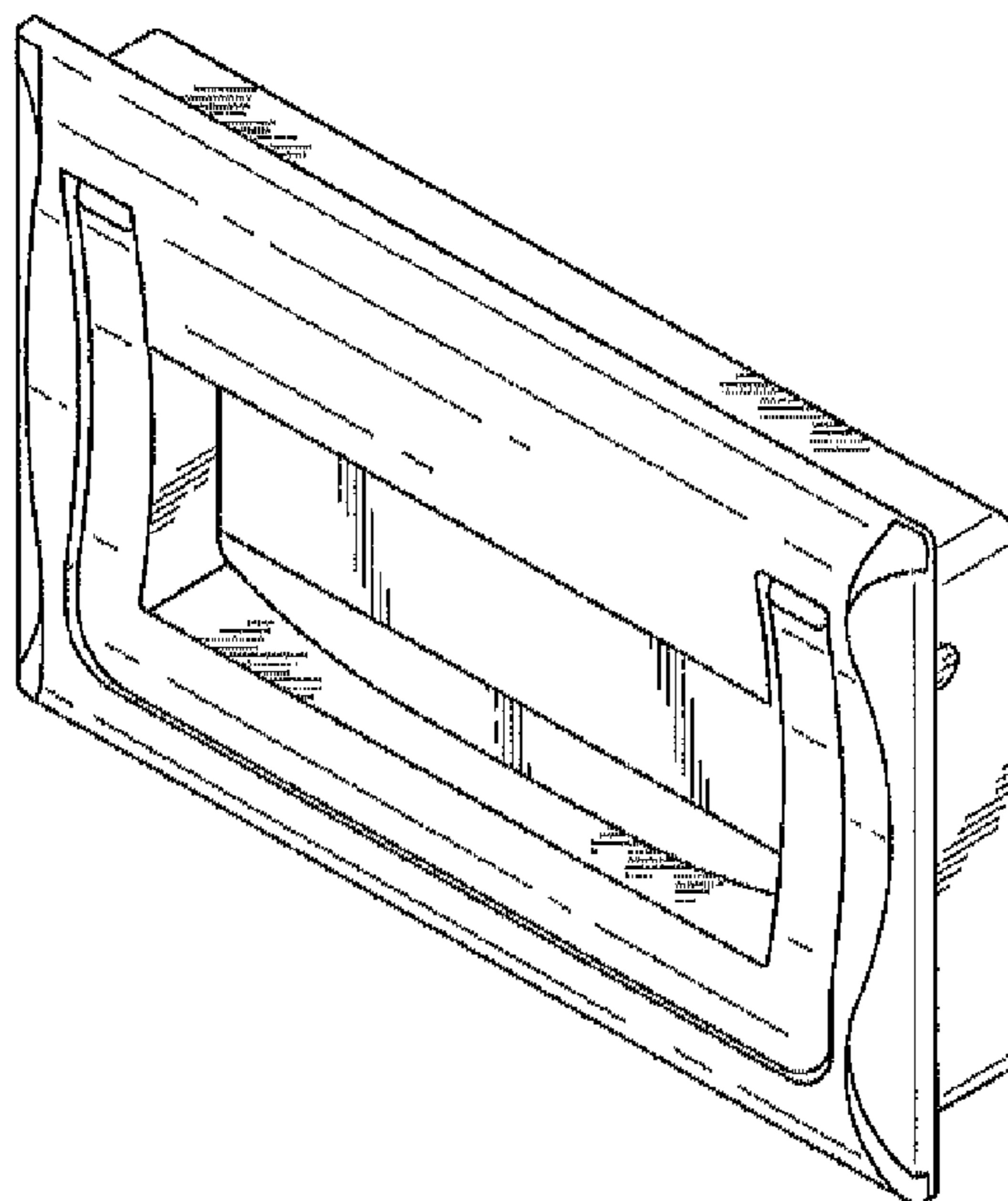
(57) **CLAIM**

The ornamental design for a handle, as shown and described.

DESCRIPTION

FIG. 1 is a front view of a handle embodying my new design;
FIG. 2 is a rear view thereof;
FIG. 3 is a top plan view thereof;
FIG. 4 is a right side view thereof;
FIG. 5 is a sectional view along 5-5 thereof;
FIG. 6 is a sectional view along 6-6 thereof;
FIG. 7 is a sectional view along 7-7 thereof;
FIG. 8 is a sectional view along 8-8 thereof;
FIG. 9 is a right side view which illustrates a the handle being rotated;
FIG. 10 is a perspective view thereof; and,
FIG. 11 is a perspective view which illustrates an environ-
ment of use for the handle.
The broken line showing of the container and extra handle in
FIG. 11 is included for the purpose of illustrating environ-
mental structure only and forms no part of the claimed design.

1 Claim, 4 Drawing Sheets



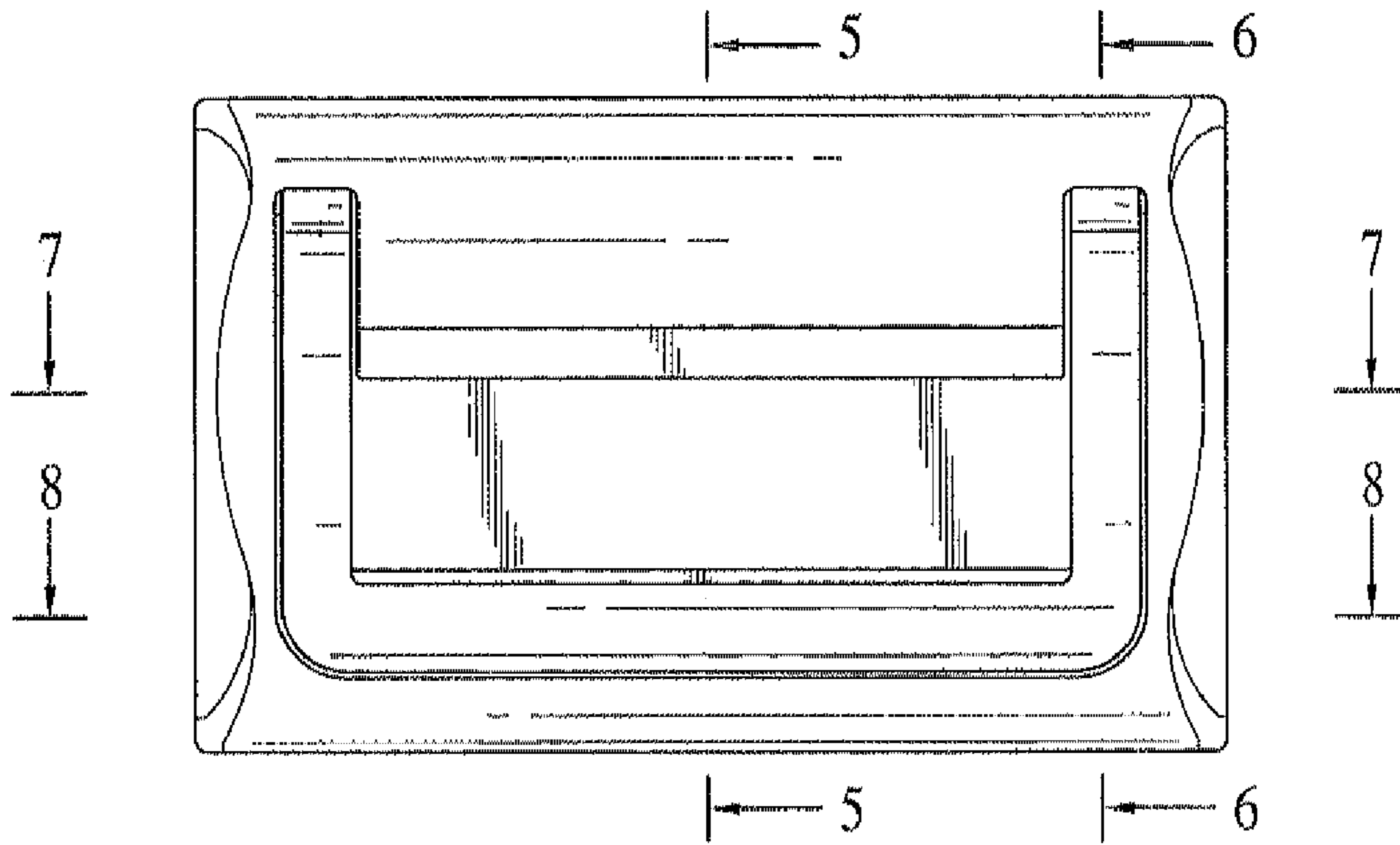


FIG. 1

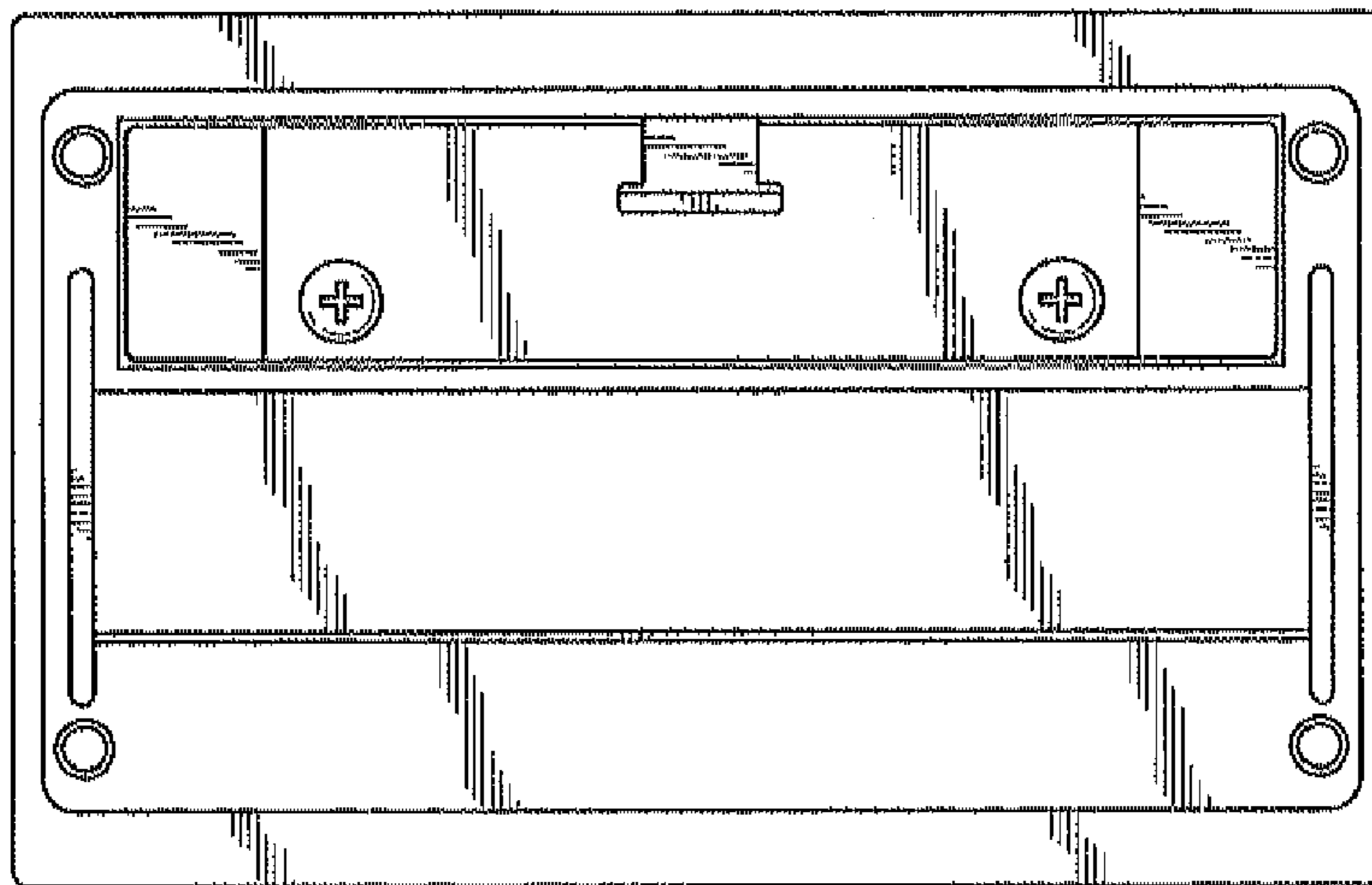


FIG. 2

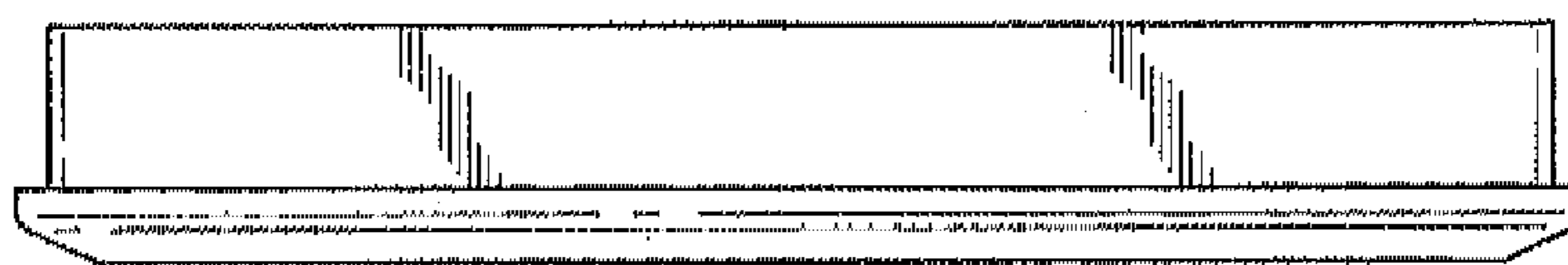


FIG. 3

FIG. 4

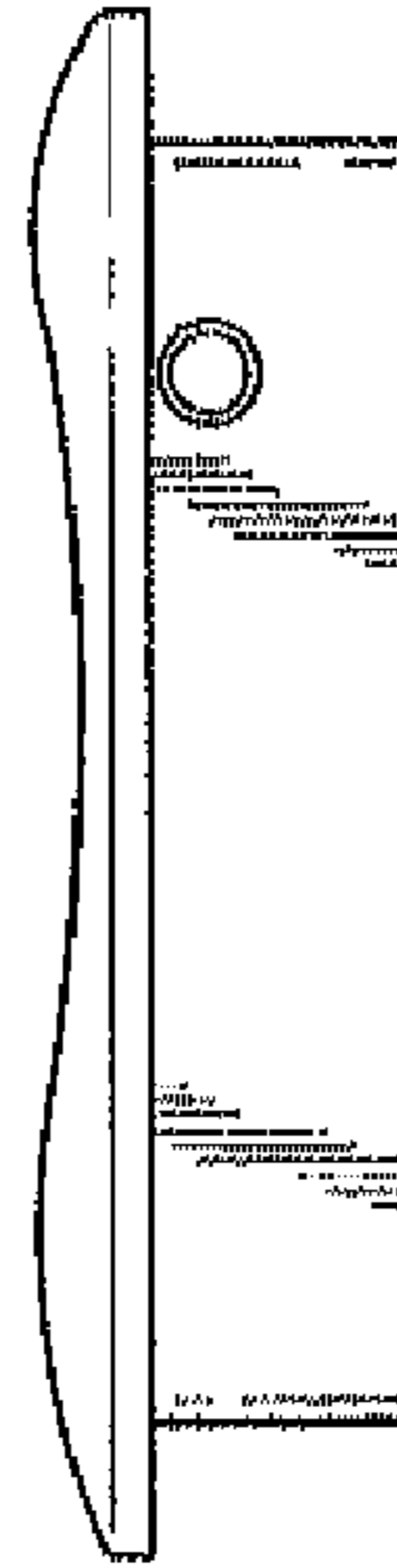


FIG. 5

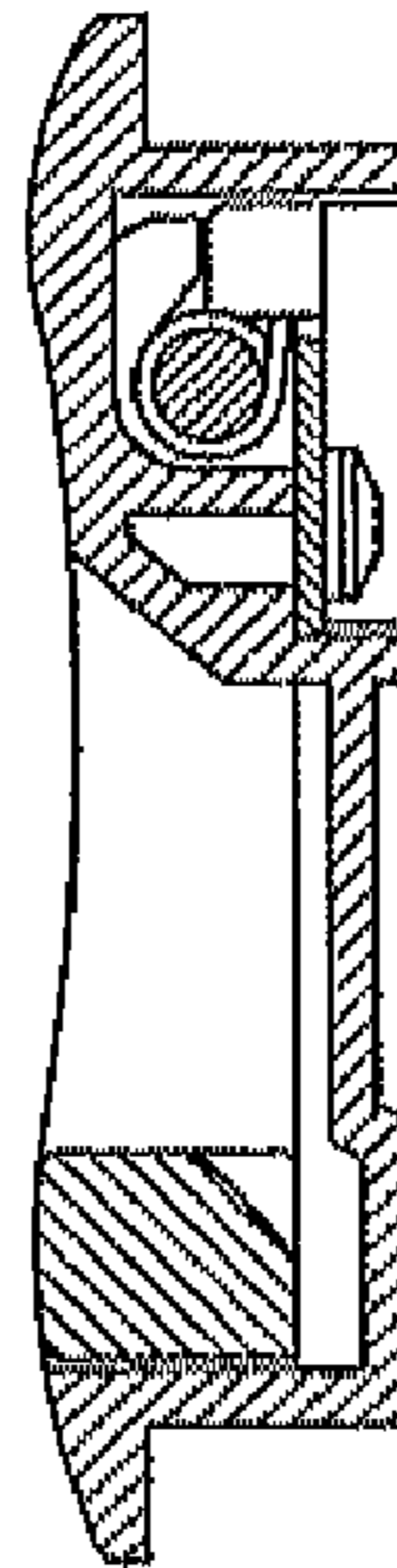
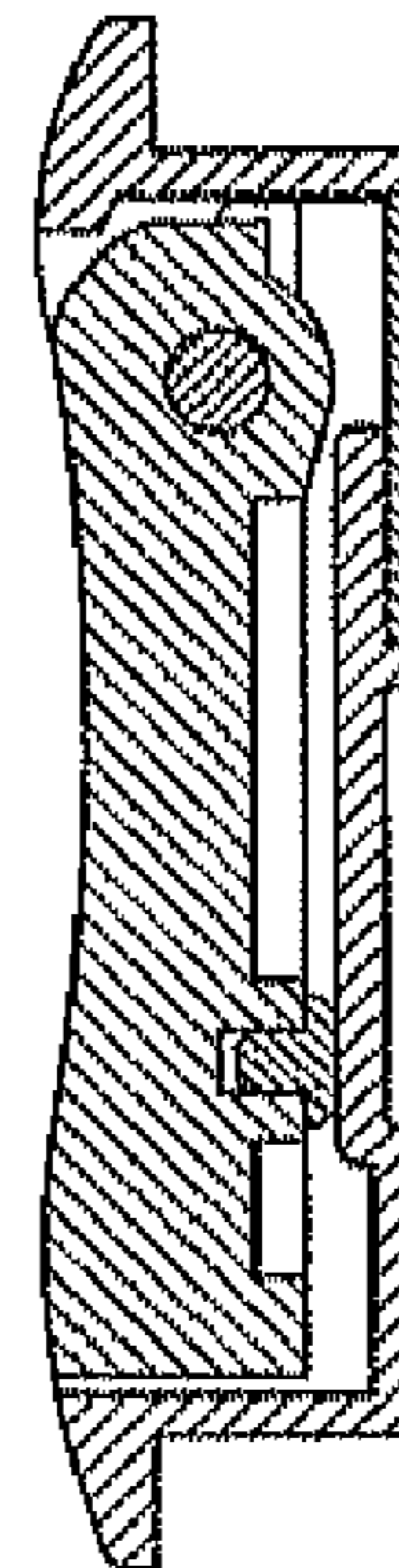


FIG. 6



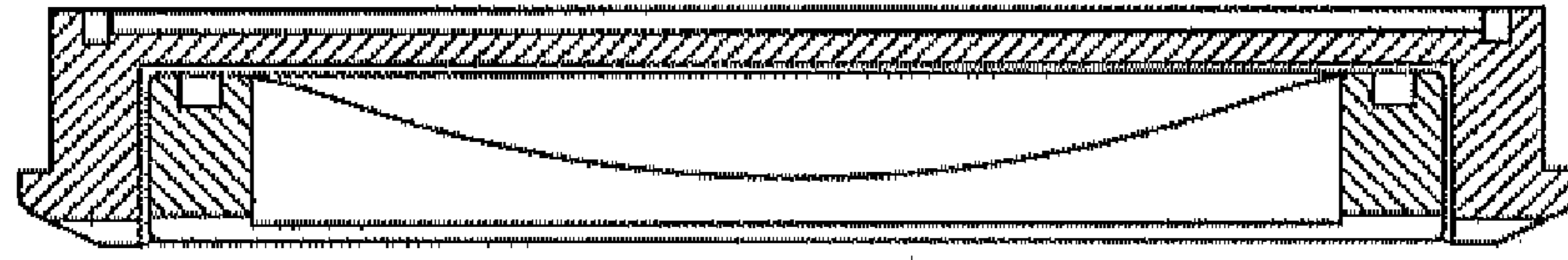


FIG. 7

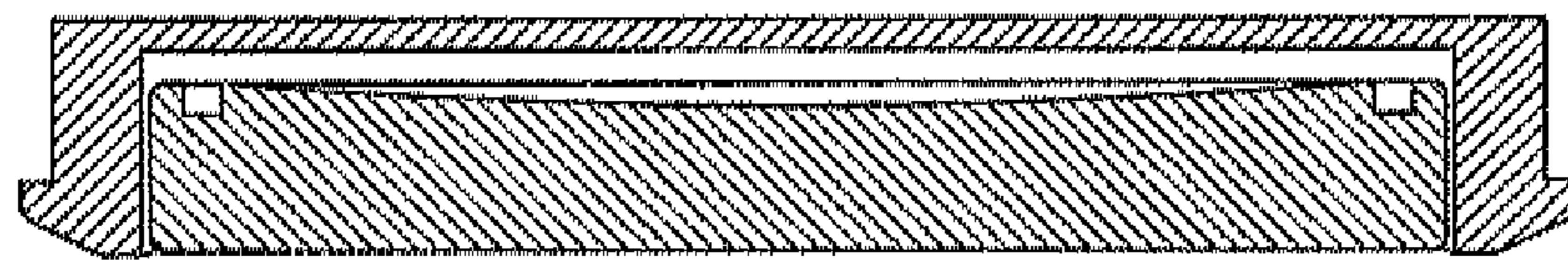


FIG. 8

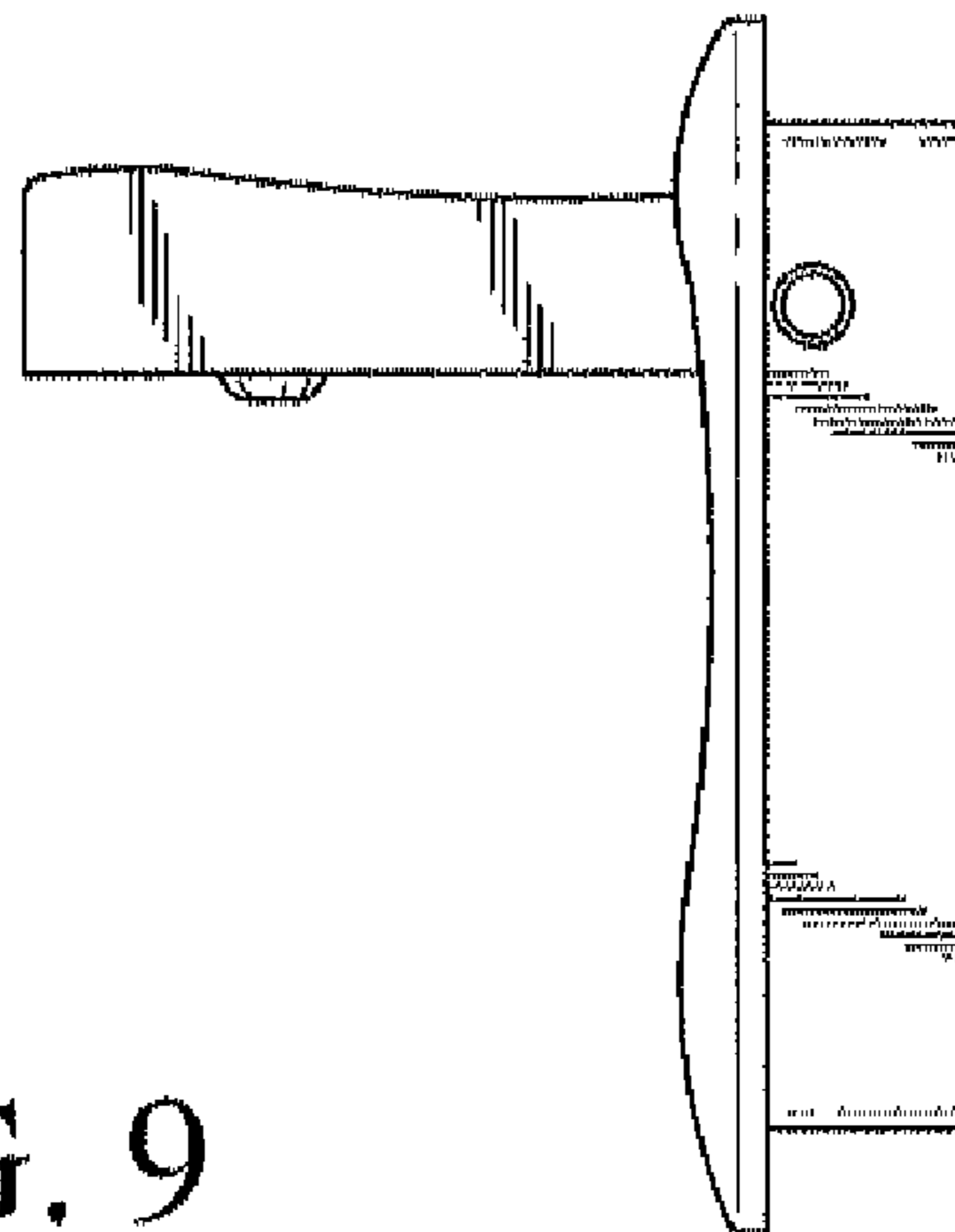


FIG. 9

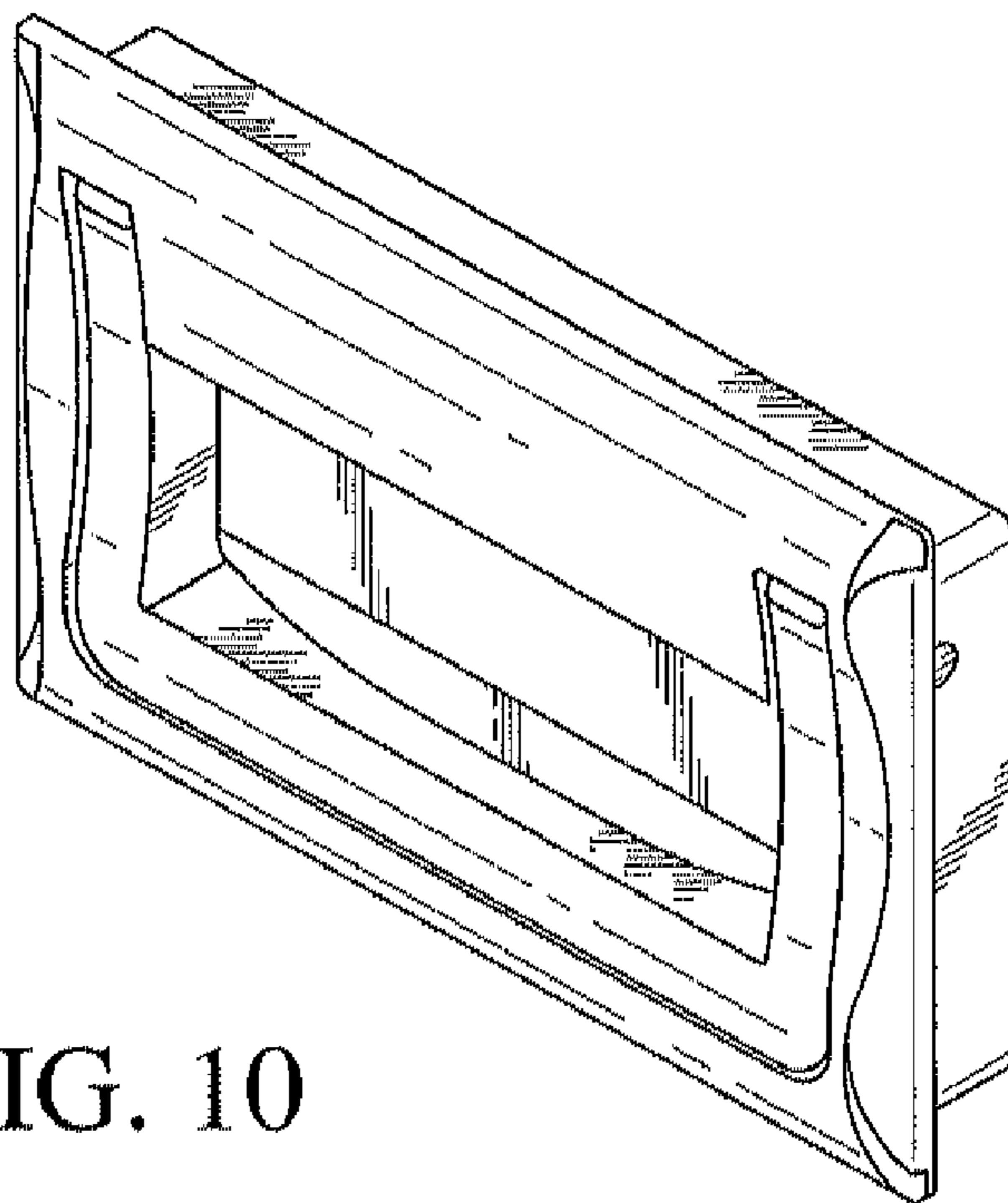


FIG. 10

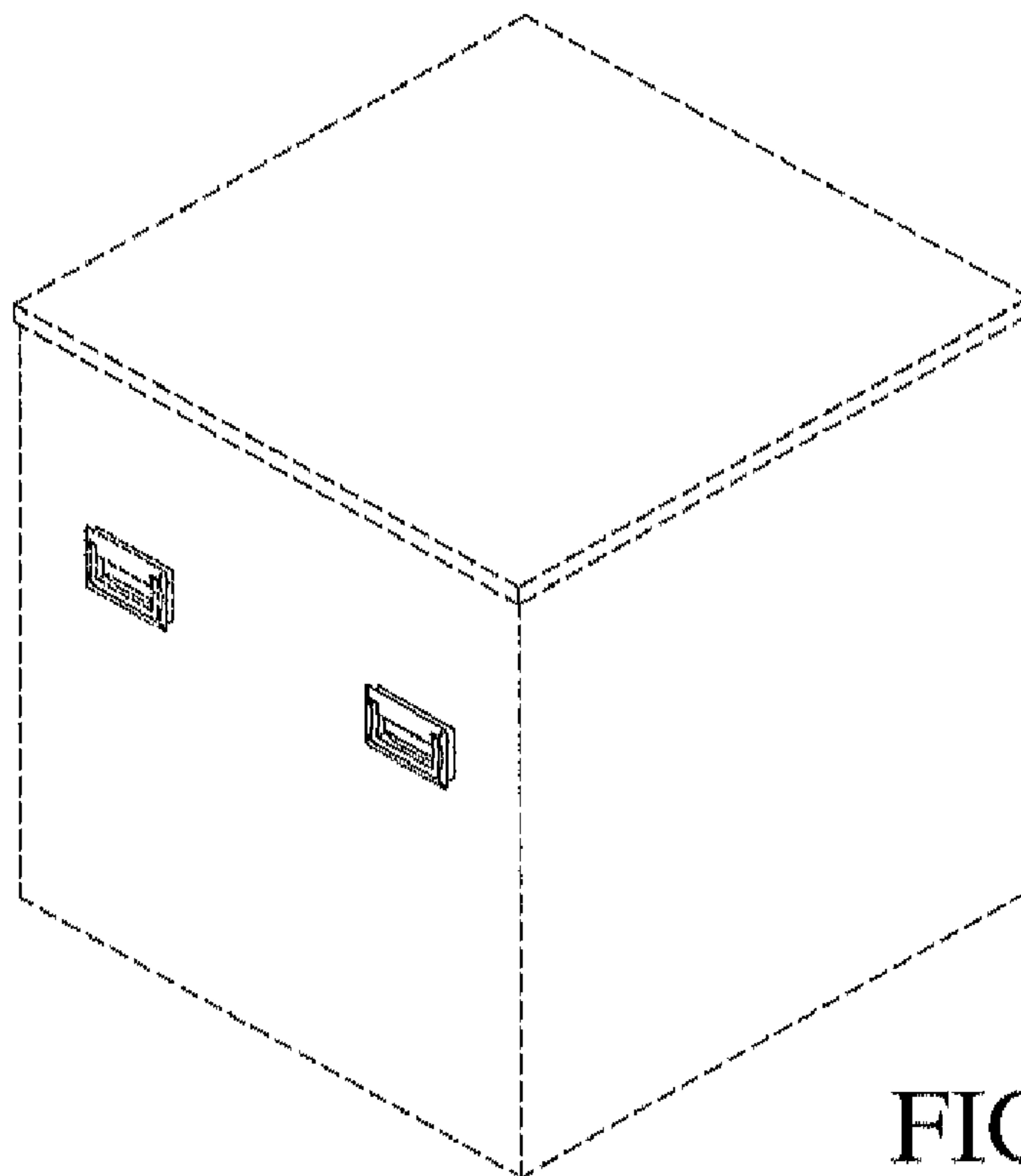


FIG. 11