



US00D659503S

(12) **United States Design Patent**
Arvinte et al.

(10) **Patent No.:** **US D659,503 S**

(45) **Date of Patent:** **** May 15, 2012**

(54) **DRYWALL SPONGE SANDER**

(75) Inventors: **Romeo Arvinte**, Laval-des-Rapides (CA); **Francois Panfili**, Berthierville (CA)

(73) Assignees: **A. Richard Tools Co.**, Berthierville (Quebec) (FR); **Outlis A. Richard Co.**, Berthierville (Quebec) (CA)

(**) Term: **14 Years**

(21) Appl. No.: **29/364,434**

(22) Filed: **Jun. 23, 2010**

(30) **Foreign Application Priority Data**

Dec. 23, 2009	(CA)	133456
(51) LOC (9) Cl.		08-05
(52) U.S. Cl.		D8/90
(58) Field of Classification Search		D8/62, D8/90; D32/40; 451/344, 354, 356, 503, 451/514, 516, 522-524

See application file for complete search history.

(56) **References Cited**

U.S. PATENT DOCUMENTS

2,201,645	A *	5/1940	Epner	451/516
2,711,059	A *	6/1955	Ames	451/522
3,123,946	A *	3/1964	Hoveland	451/522
3,483,662	A *	12/1969	Ames	451/524
3,822,518	A	7/1974	Sjostrand	
4,516,360	A *	5/1985	Gringer et al.	451/516
4,516,361	A *	5/1985	Gringer	451/524
4,885,876	A	12/1989	Henke	
D311,318	S	10/1990	Ovens	
5,103,599	A *	4/1992	Carlson	451/514
D346,944	S *	5/1994	Poole	D8/90
D369,080	S *	4/1996	Tollis	D8/90
5,902,176	A *	5/1999	Chen	451/524
6,095,911	A *	8/2000	Edens	451/524

(Continued)

OTHER PUBLICATIONS

A. Richard Sander with Sanding Sponge. Downloaded Oct. 1, 2011 at http://www.arichard.com/ui/s_public/en/products_detail.aspx?id=5492 Oct. 1, 2011.*

Primary Examiner — Philip S Hyder

Assistant Examiner — Roselynn Cody

(74) *Attorney, Agent, or Firm* — Fish & Richardson P.C.

(57) **CLAIM**

The ornamental design for a drywall sponge sander, as shown and described.

DESCRIPTION

FIG. 1 is a perspective view of a drywall sponge sander showing our new design.

FIG. 2 is a left elevational side view thereof.

FIG. 3 is a right elevational side view thereof.

FIG. 4 is a front elevational view thereof.

FIG. 5 is a rear elevational view thereof.

FIG. 6 is a top plan view thereof.

FIG. 7 is a bottom plan view thereof.

FIG. 8 is another perspective view thereof, the drywall sponge sander being shown in another operating configuration.

FIG. 9 is a front elevational view of what is shown in FIG. 8.

FIG. 10 is a perspective view of a drywall sponge sander showing a variant of our new design.

FIG. 11 is a left elevational side view thereof.

FIG. 12 is a right elevational side view thereof.

FIG. 13 is a front elevational view thereof.

FIG. 14 is a rear elevational view thereof.

FIG. 15 is a top plan view thereof.

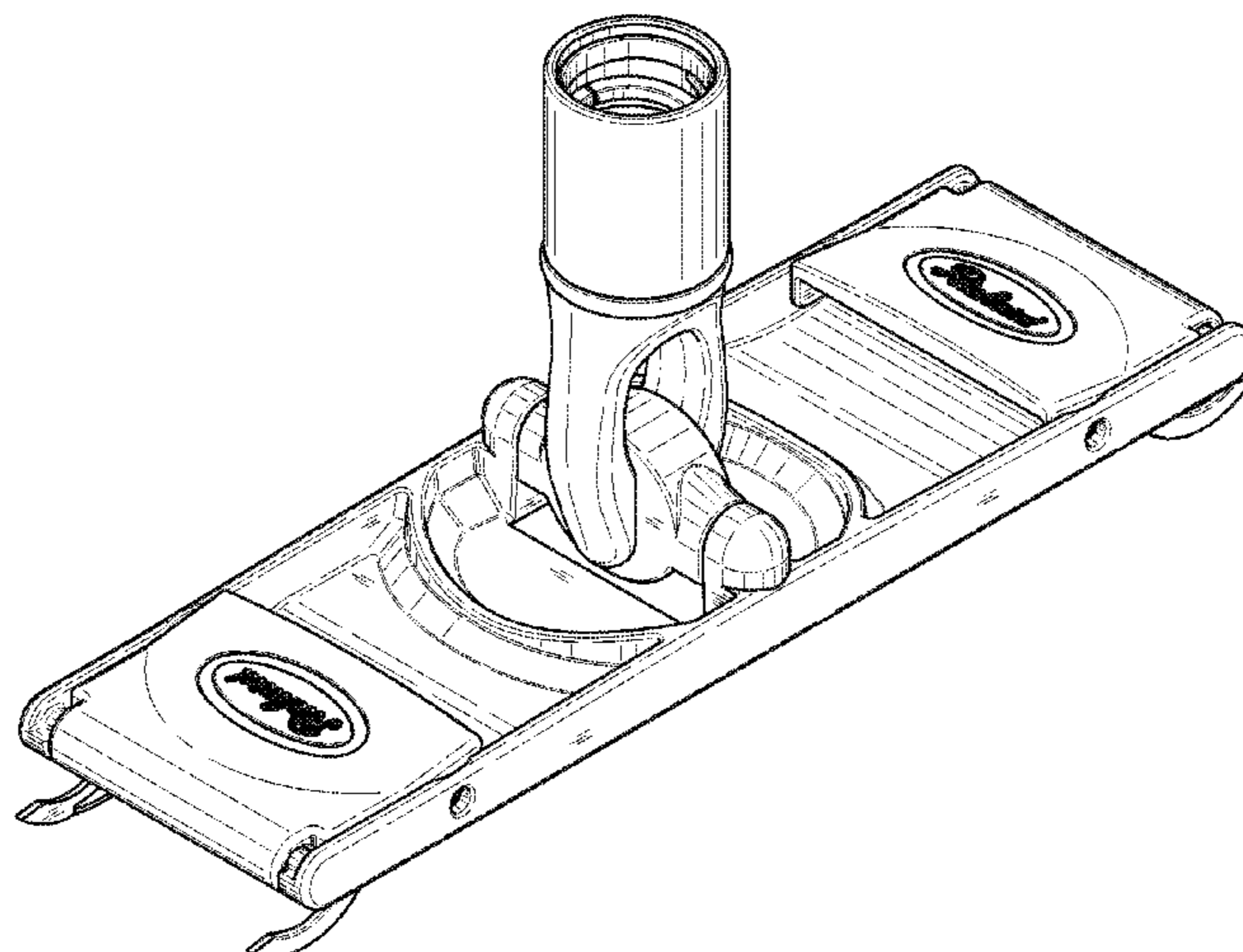
FIG. 16 is a bottom plan view thereof.

FIG. 17 is another perspective view thereof, the drywall sponge sander being shown in another operating configuration; and,

FIG. 18 is a front elevational view of what is shown in FIG. 17.

The broken lines in the figures illustrate features that form no part of the claimed design.

1 Claim, 18 Drawing Sheets



US D659,503 S

Page 2

U.S. PATENT DOCUMENTS

6,468,141	B1	10/2002	Conboy et al.				
D512,295	S *	12/2005	Florio	D8/90			
7,011,573	B2	3/2006	McArthur et al.				
D525,507	S *	7/2006	Kirschhoffer et al.	D8/90			
D527,240	S *	8/2006	Kirschhoffer et al.	D8/90			
7,112,128	B1 *	9/2006	Kirschhoffer et al.	451/499			
D530,178	S *	10/2006	Bortz	D8/90			
7,144,300	B1 *	12/2006	Cybulski et al.	451/28			
D556,534	S *	12/2007	Henke et al.	D8/90			
D567,053	S *	4/2008	Panfili	D8/90			
7,396,276	B2	7/2008	Ali et al.				
7,416,477	B2	8/2008	Henke et al.				
7,488,242	B2	2/2009	Gringer et al.				
D590,559	S *	4/2009	Watkins	D32/49			
7,632,174	B2	12/2009	Gringer et al.				
7,670,210	B2 *	3/2010	Annis	451/523			
7,815,494	B2	10/2010	Gringer et al.				
2005/0287937	A1	12/2005	Florio				
2010/0009609	A1	1/2010	Dow et al.				
2010/0048111	A1	2/2010	Gringer et al.				

* cited by examiner

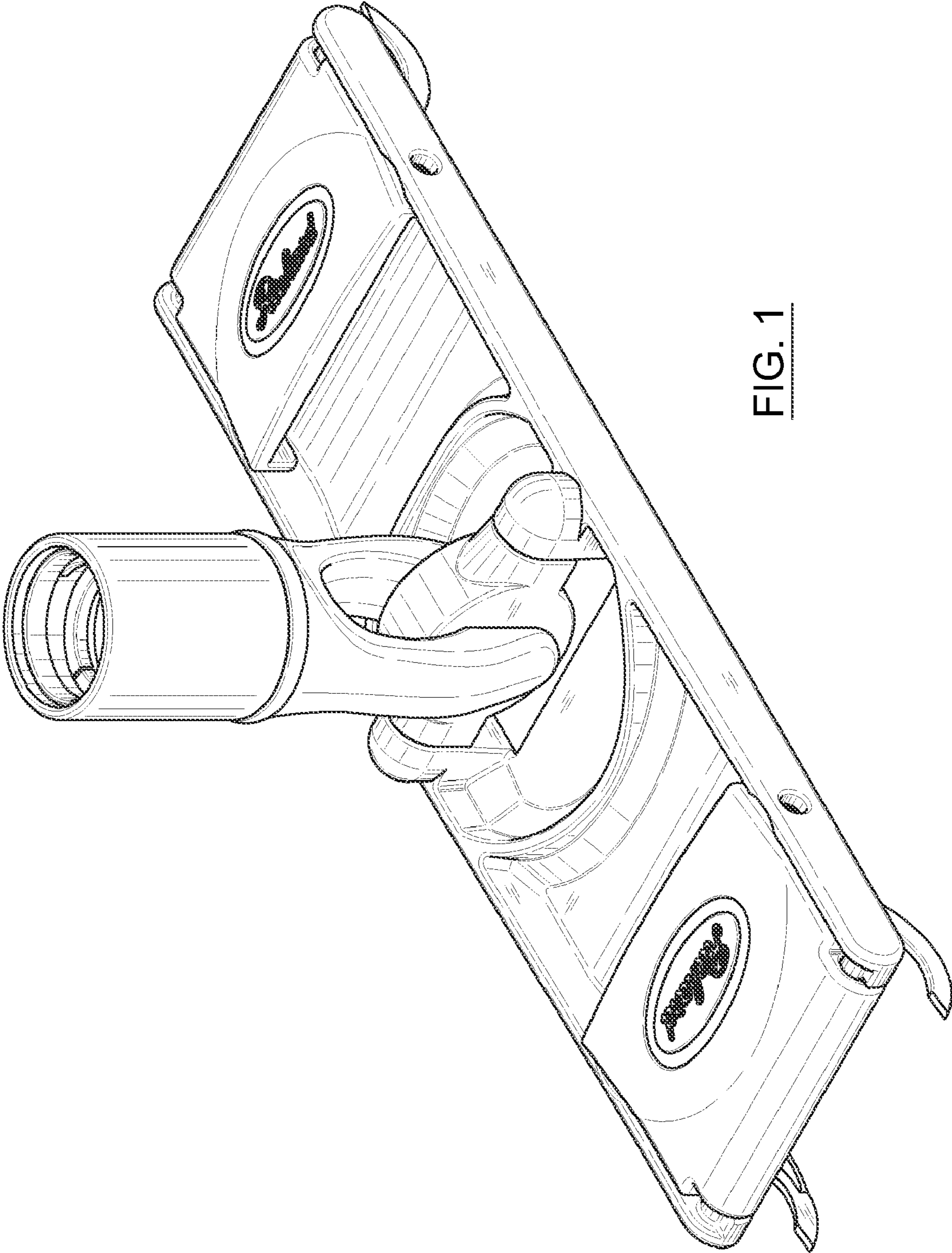


FIG. 1

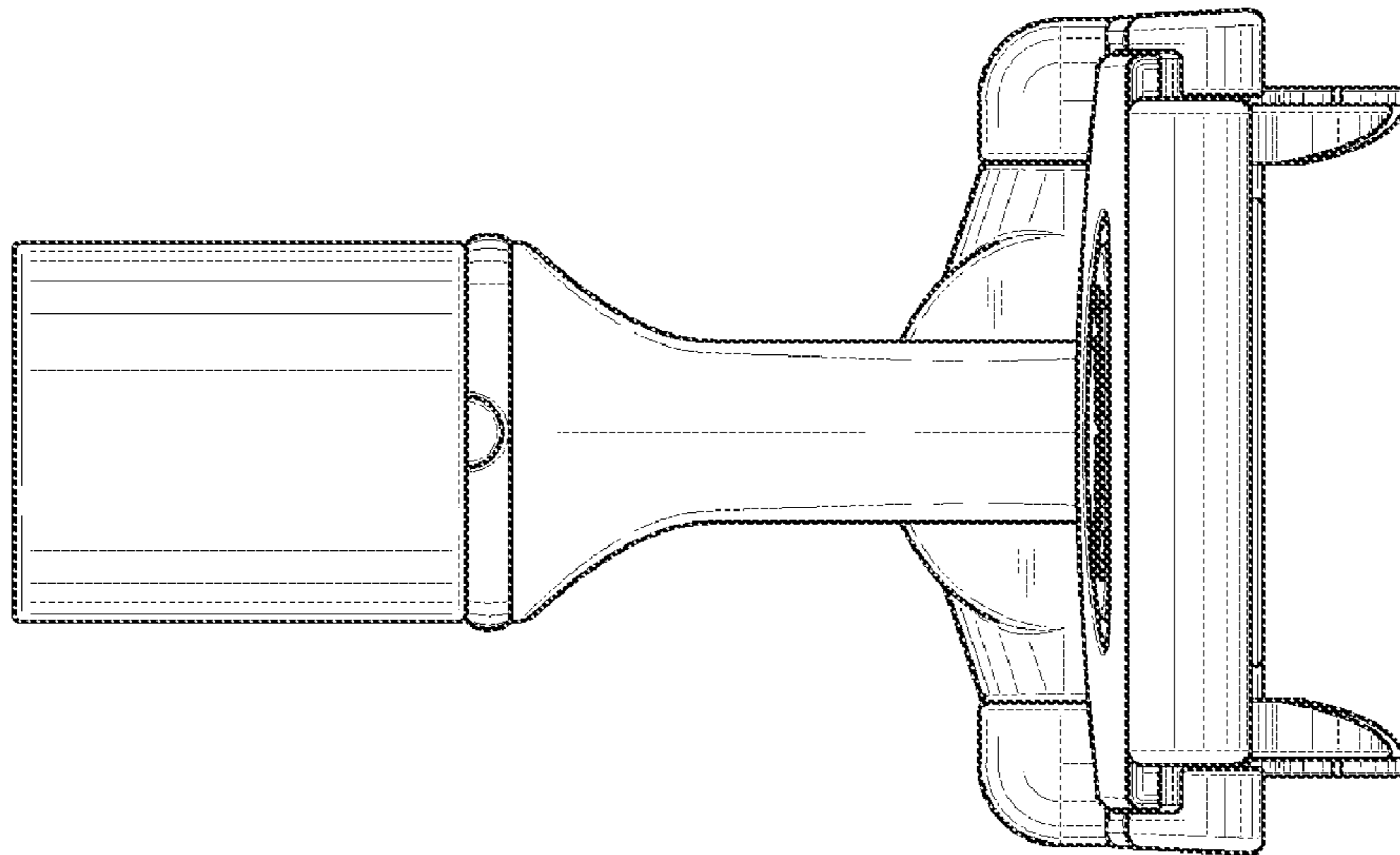


FIG. 2

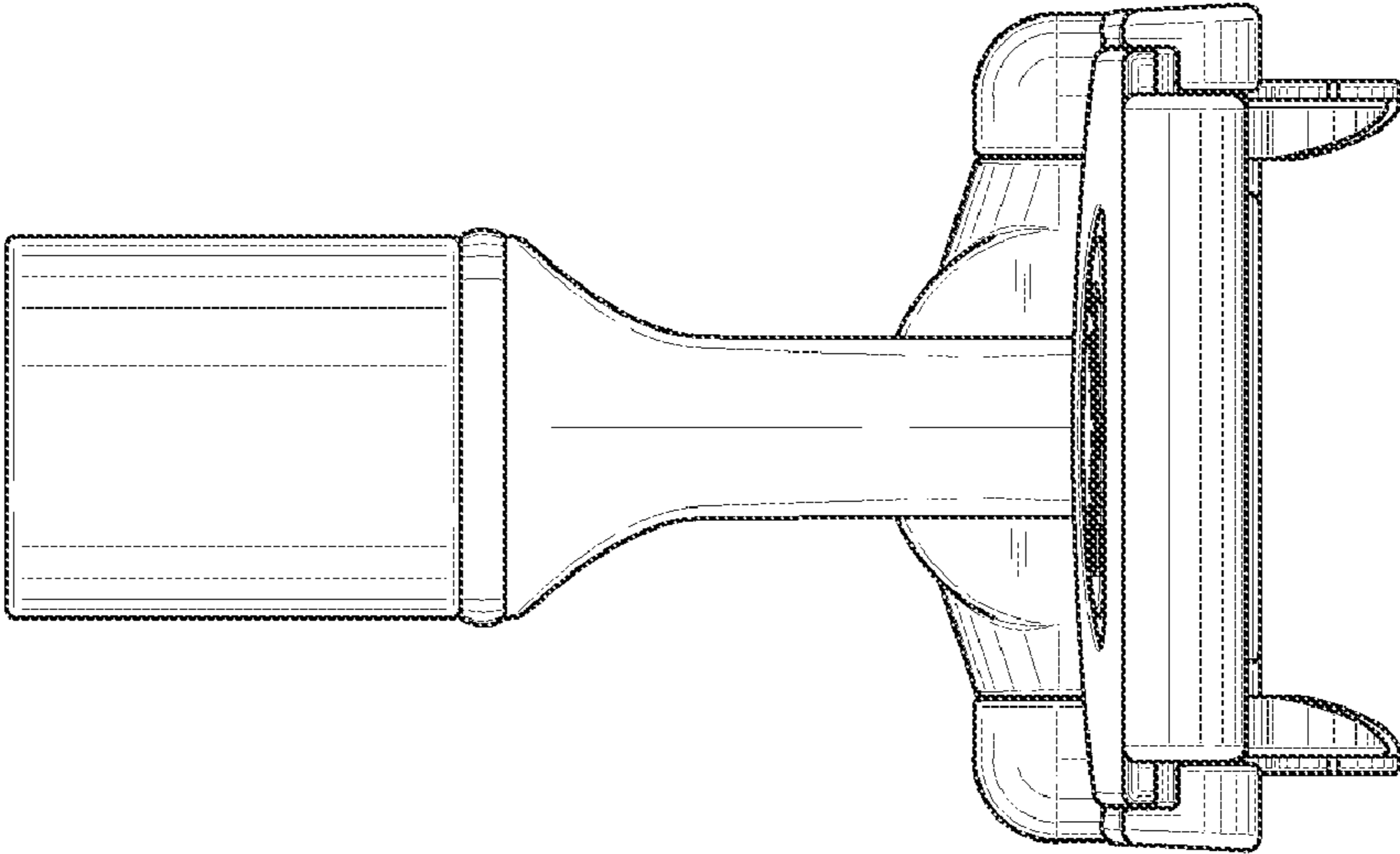


FIG. 3

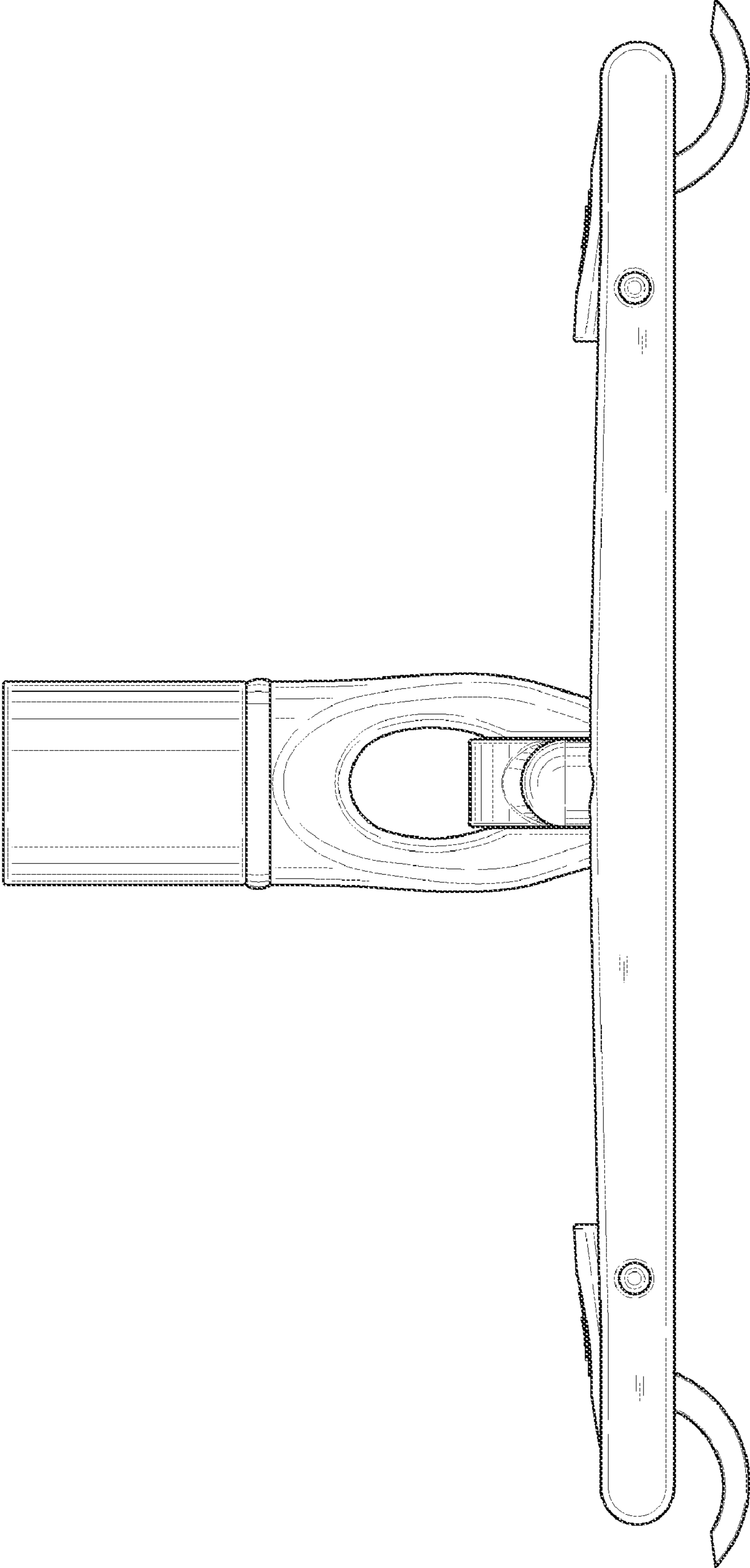


FIG. 4

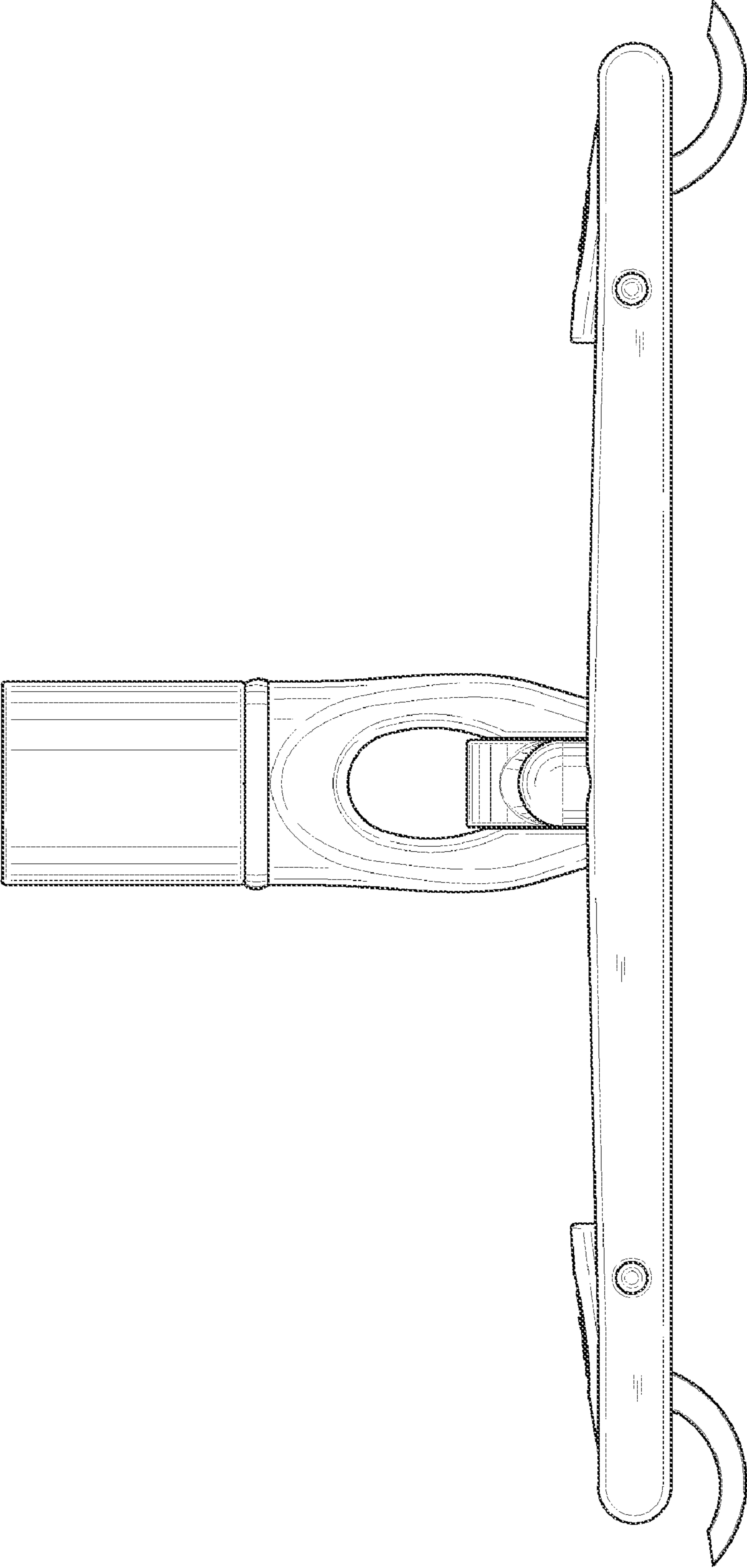


FIG. 5

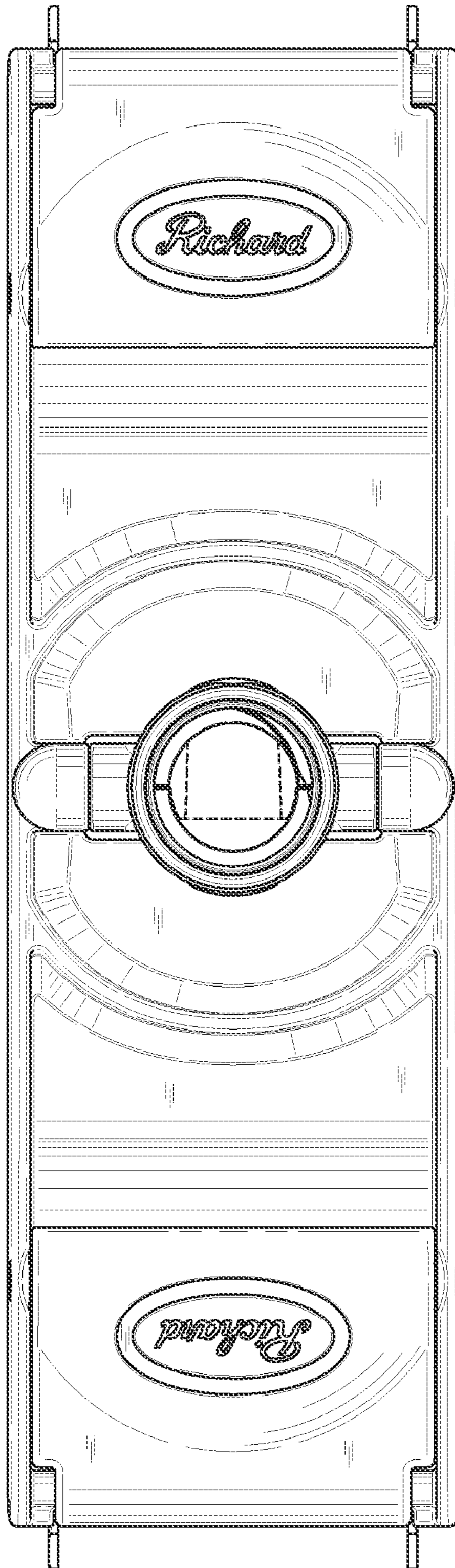


FIG. 6

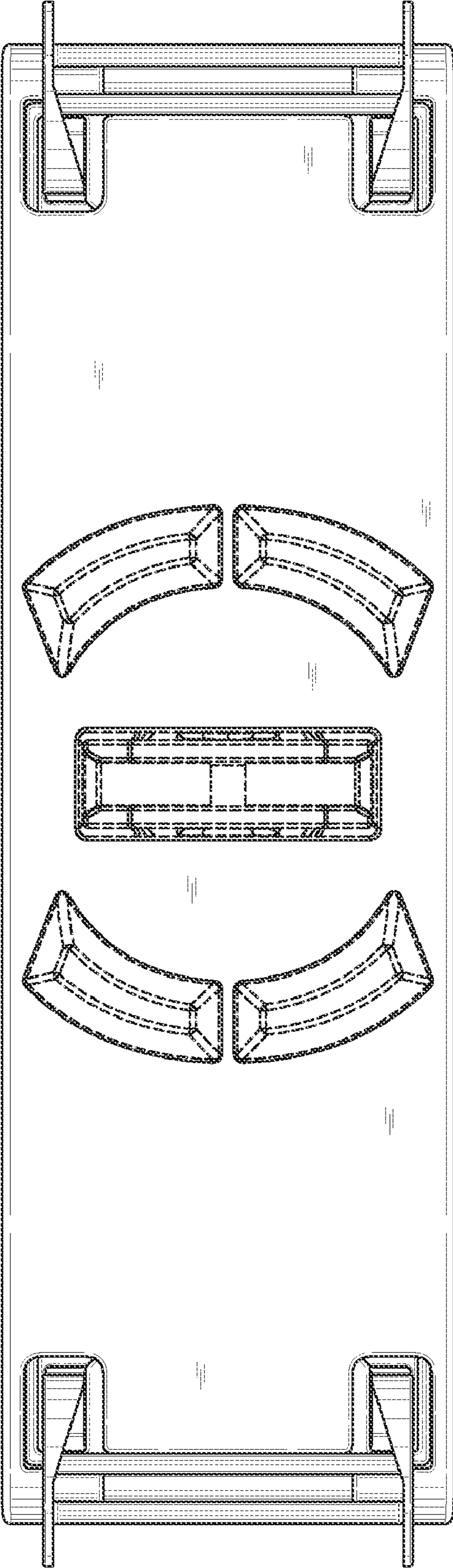


FIG. 7

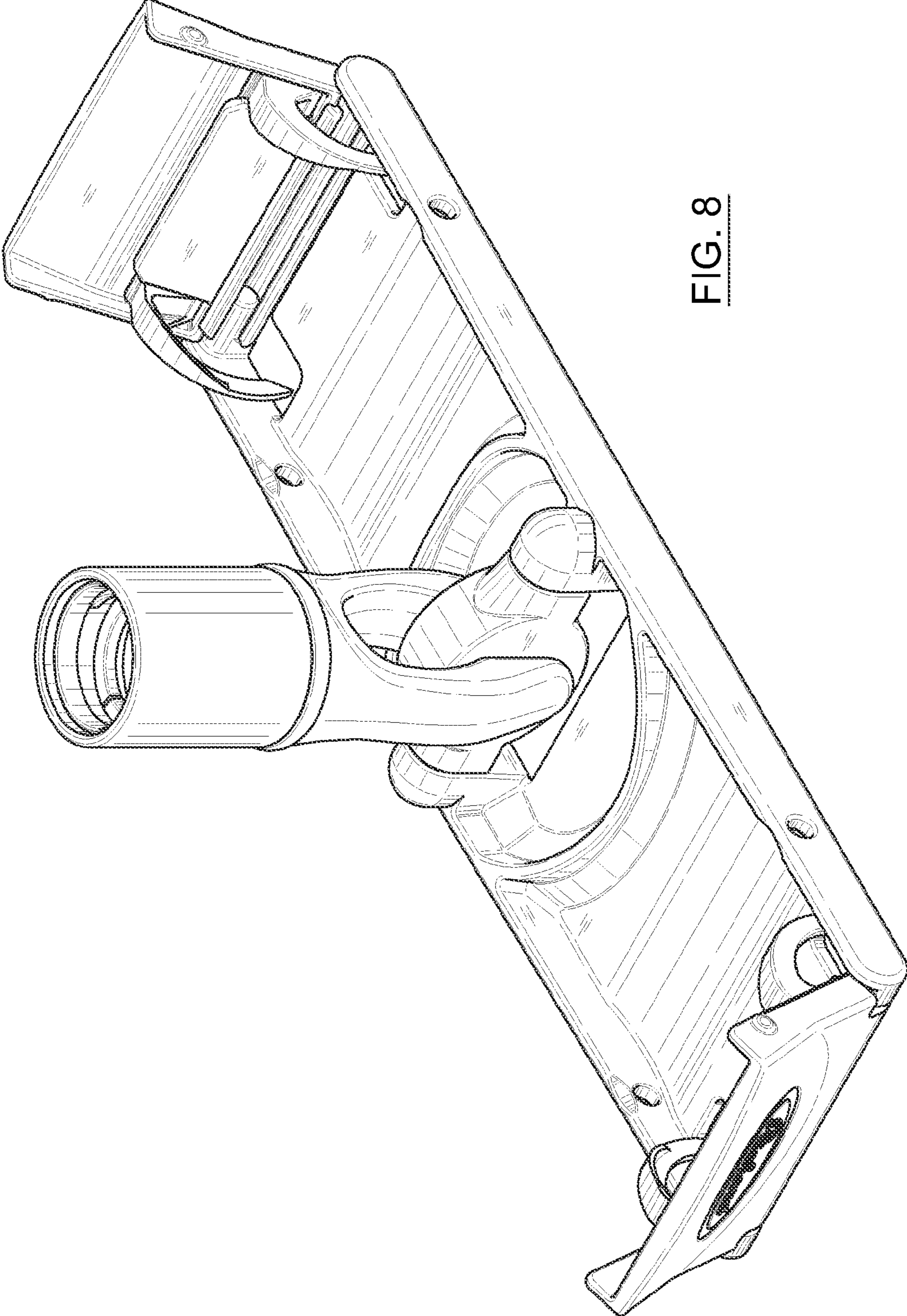


FIG. 8

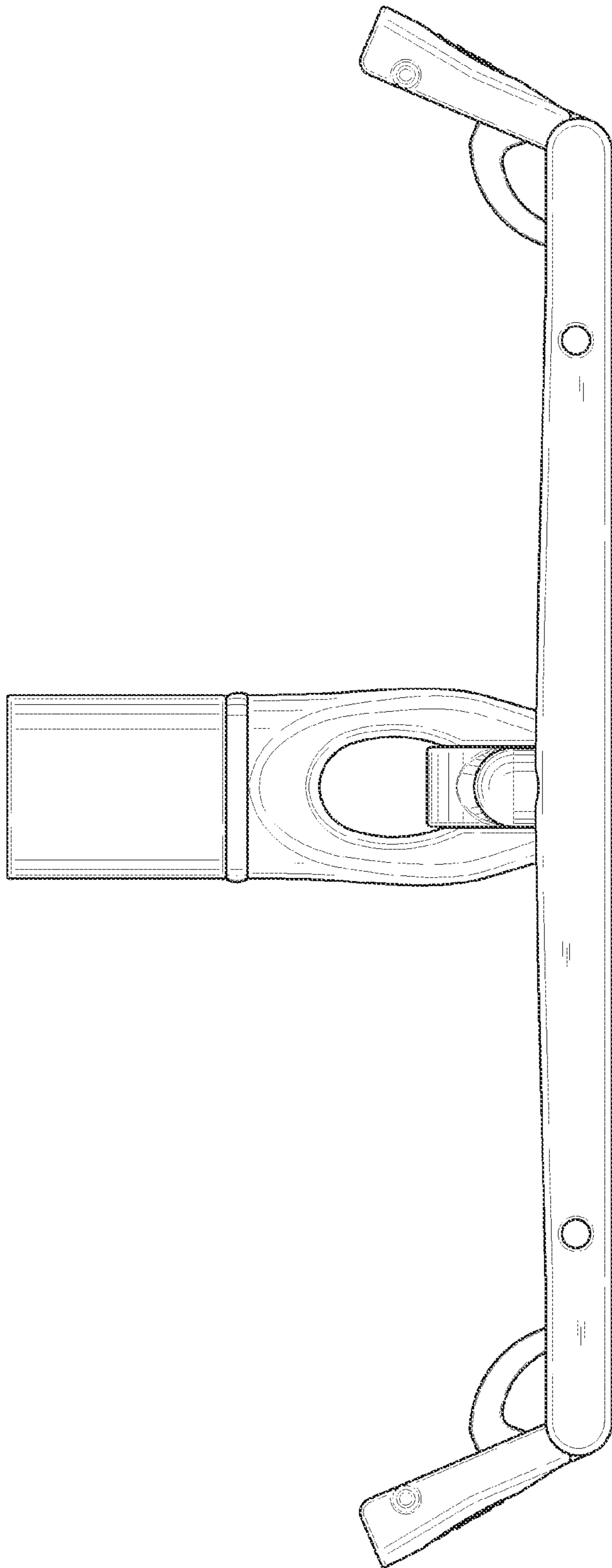


FIG. 9

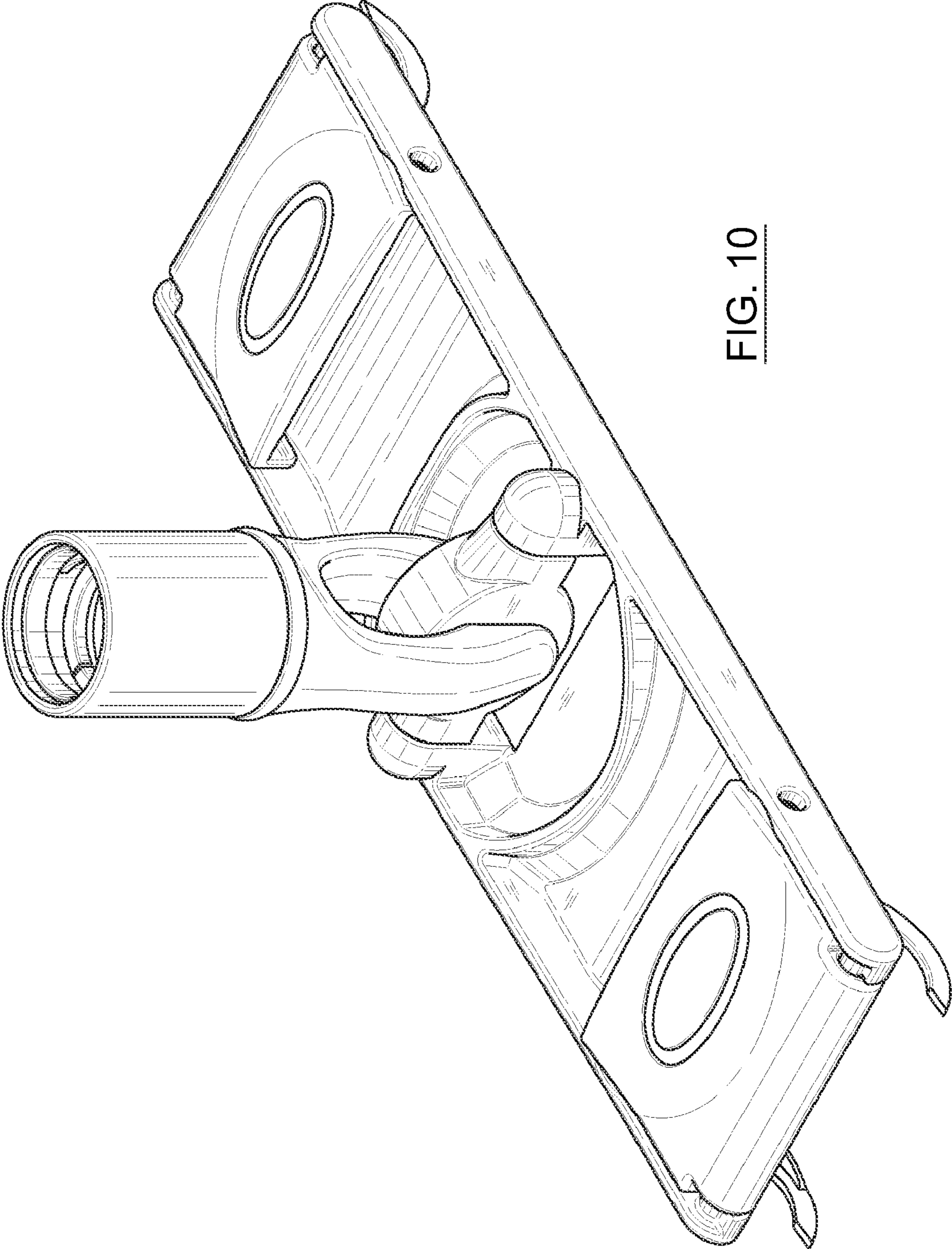


FIG. 10

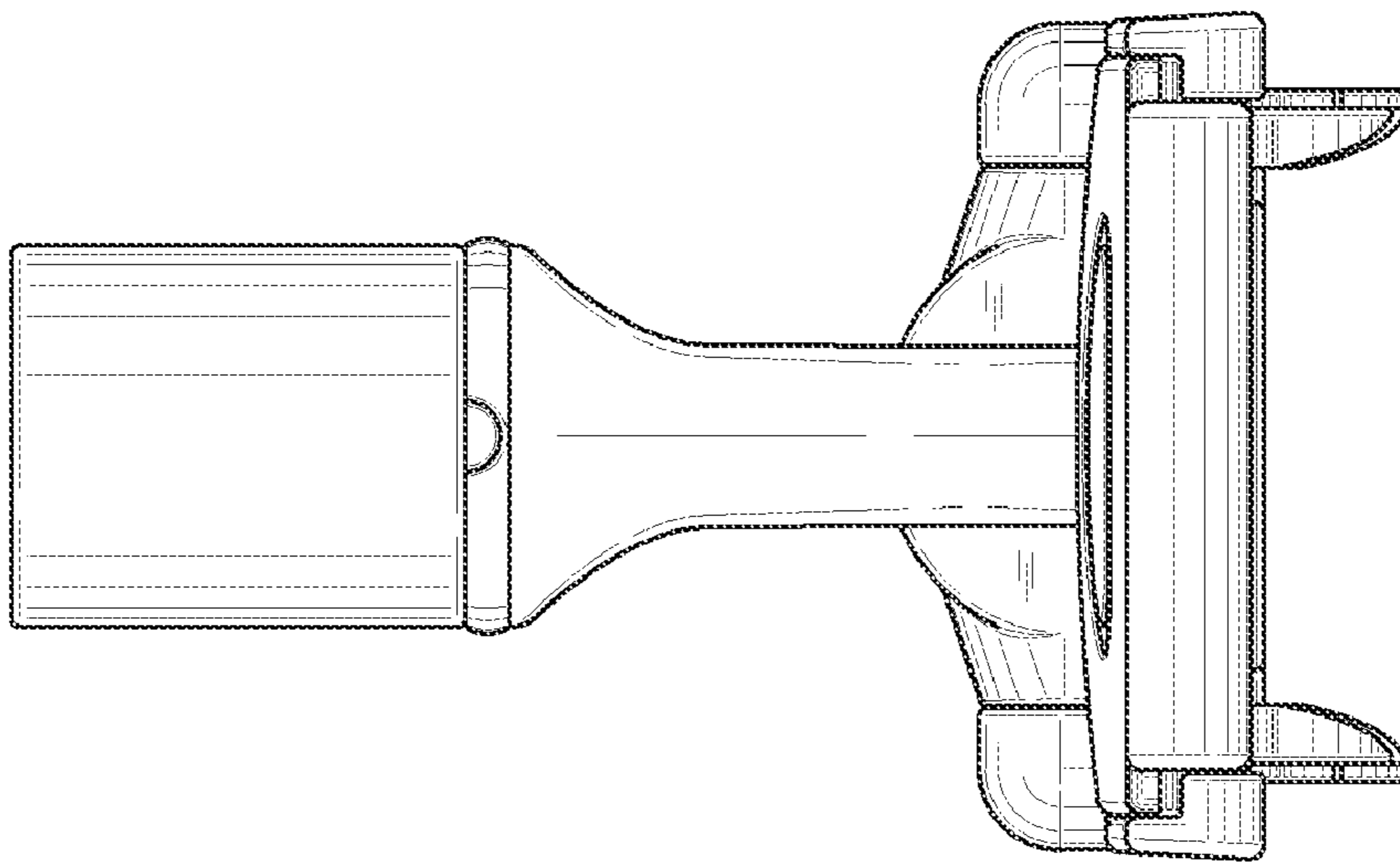


FIG. 11

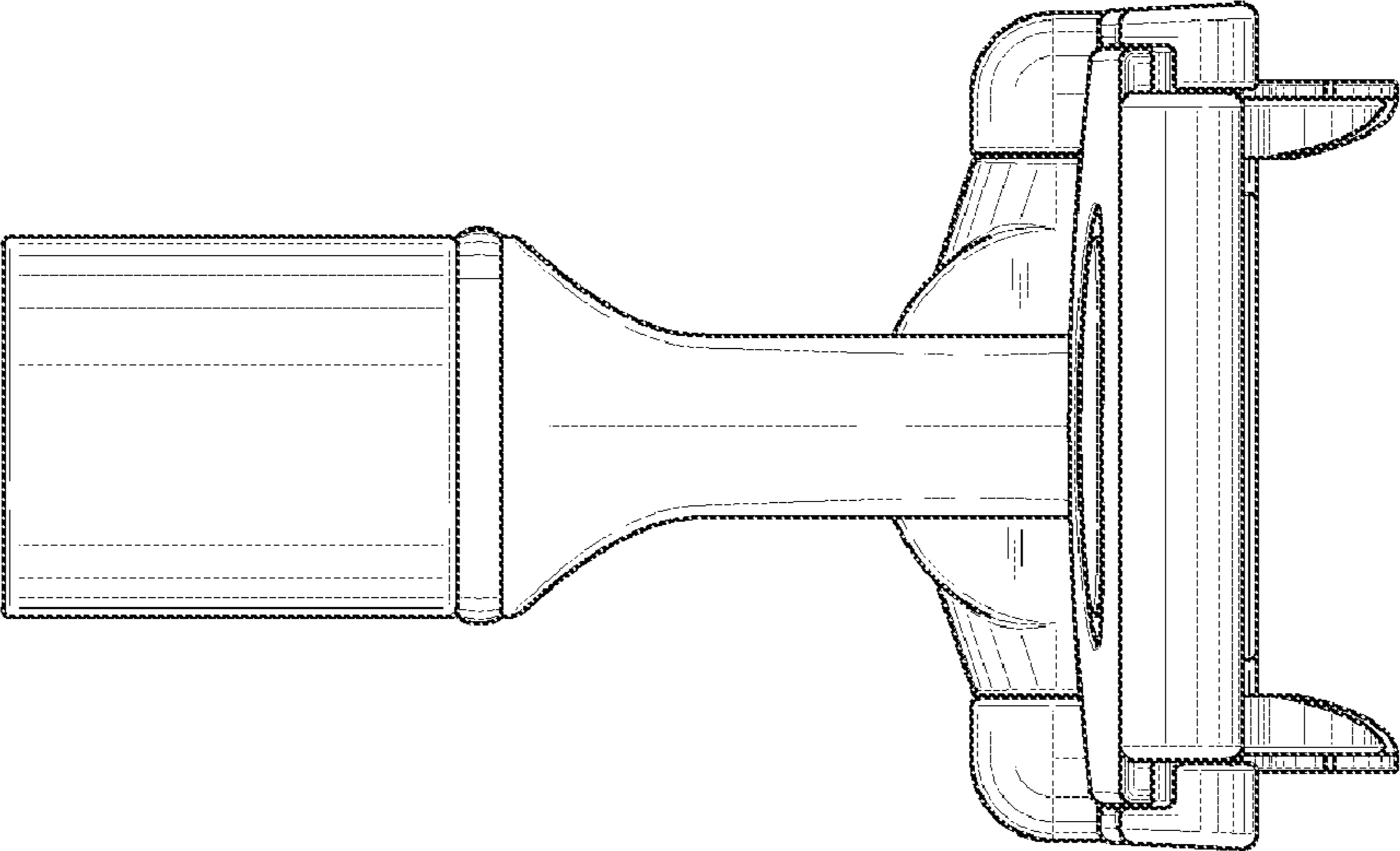


FIG. 12

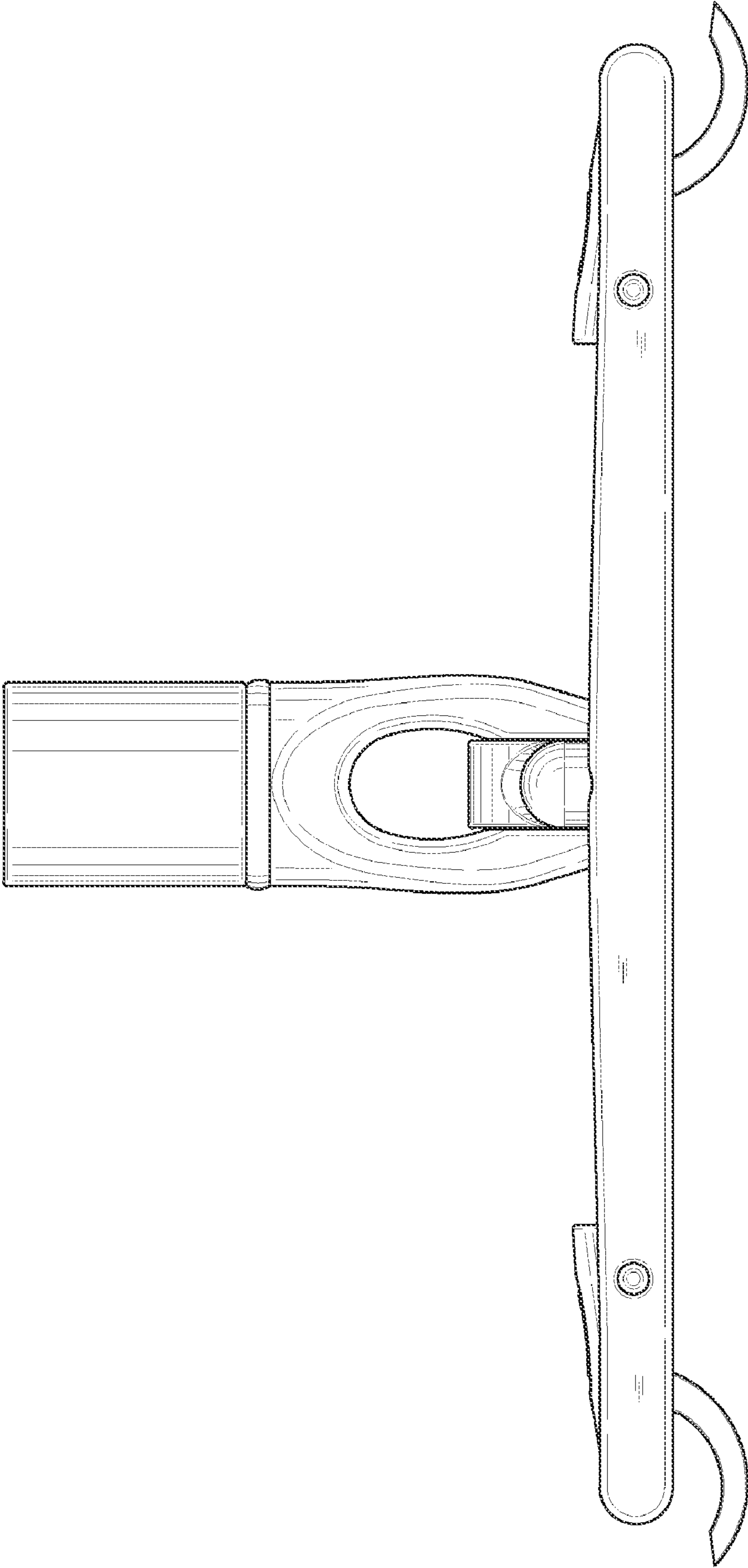


FIG. 13

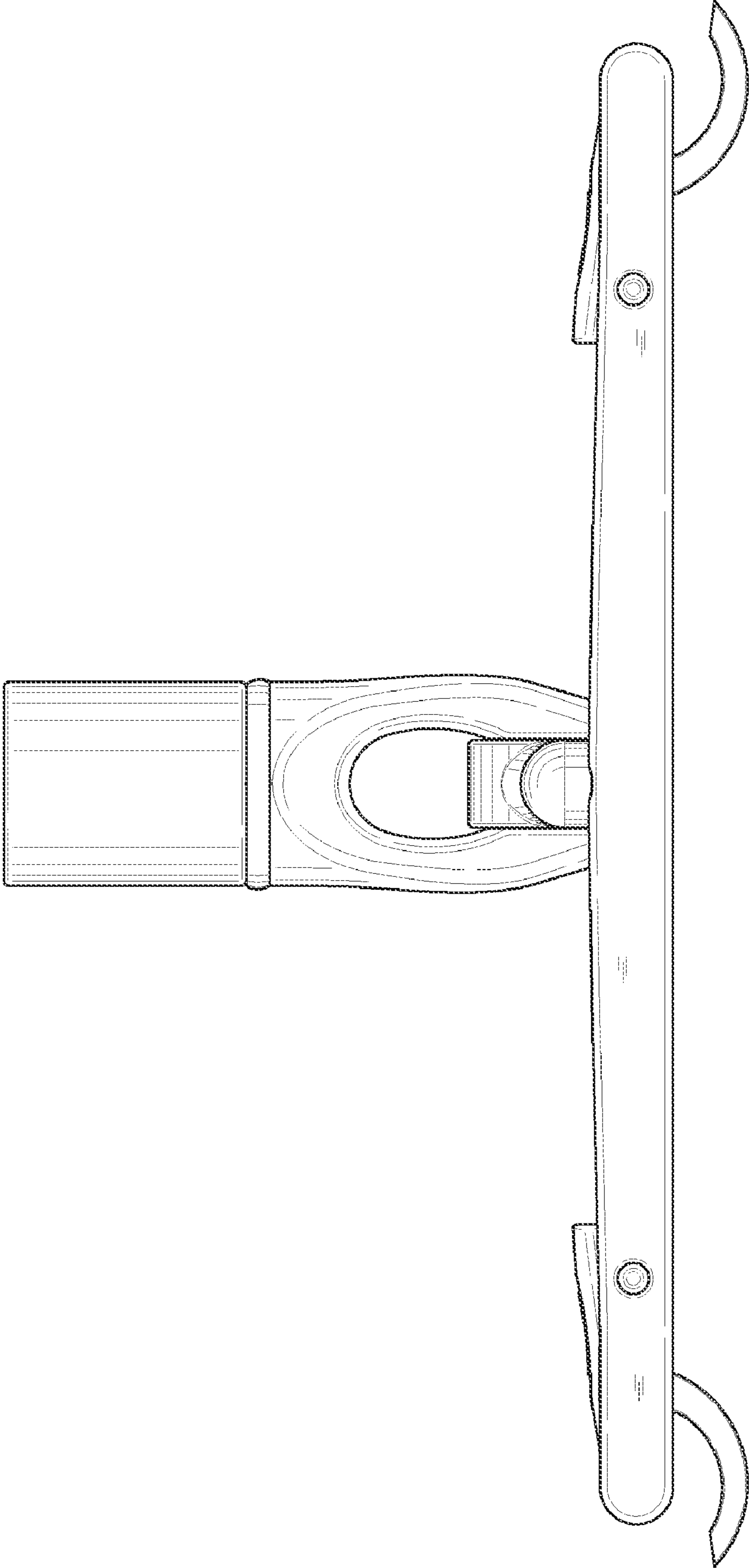


FIG. 14

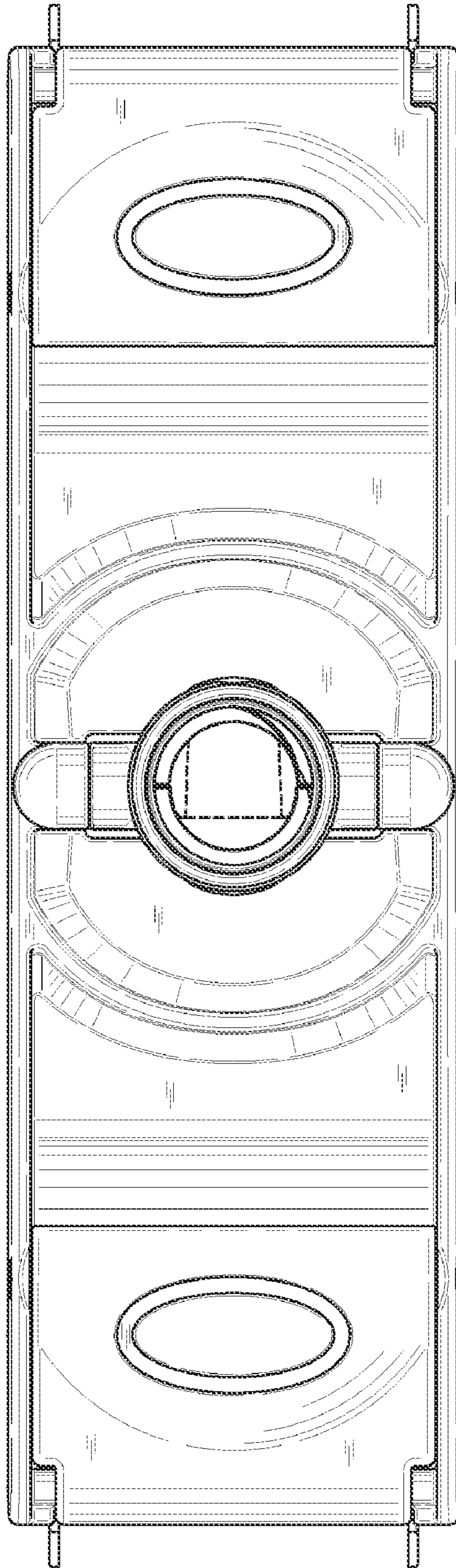


FIG. 15

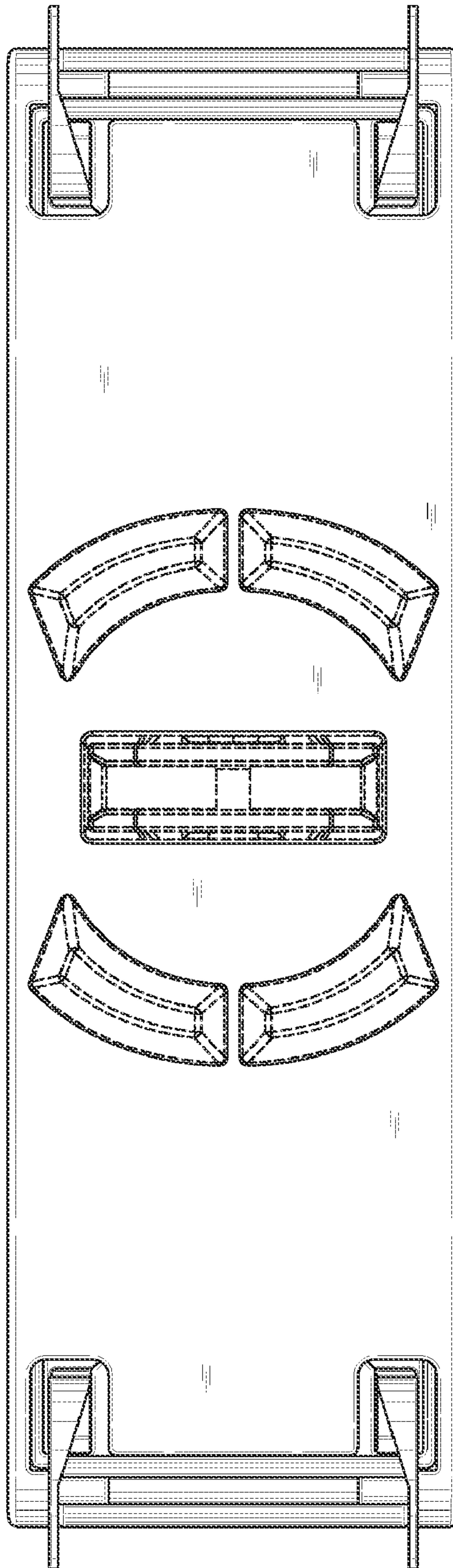


FIG. 16

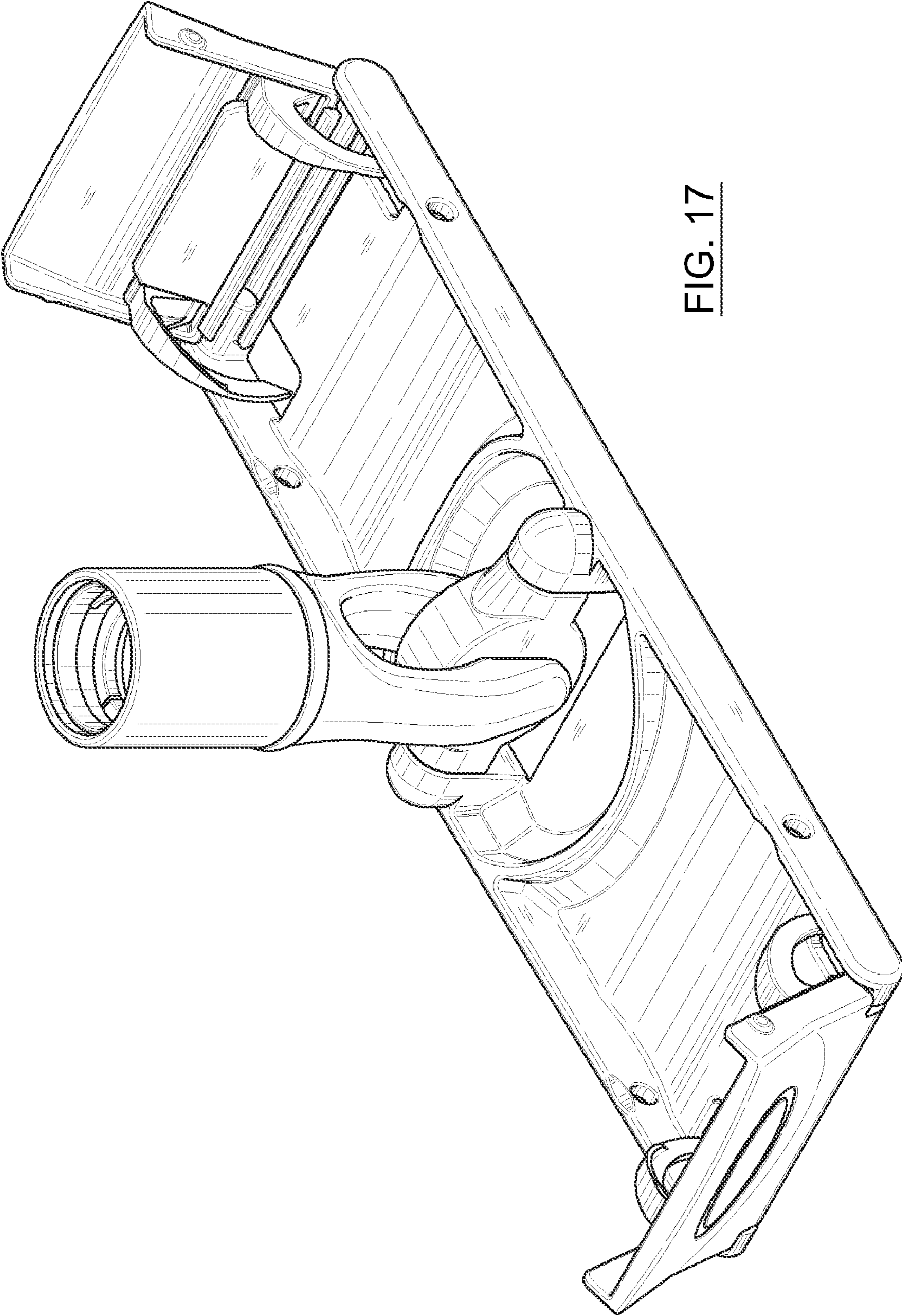


FIG. 17

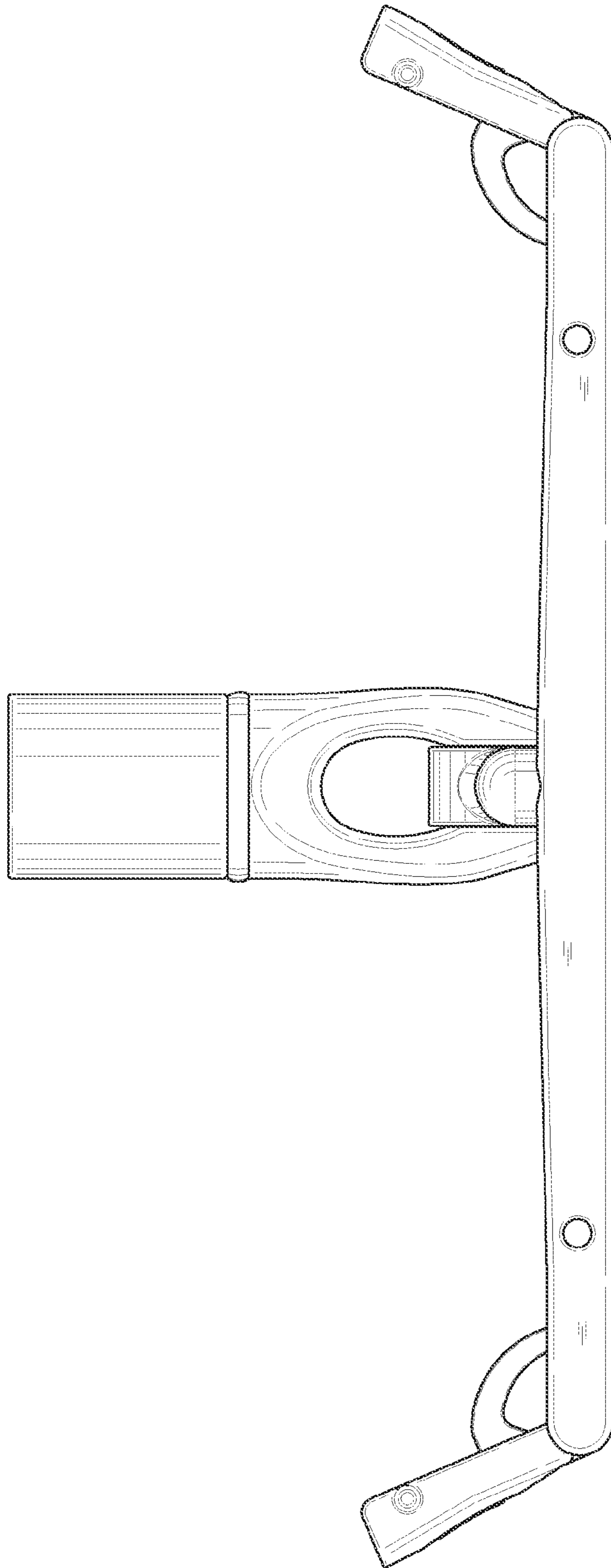


FIG. 18