



US00D659500S

(12) **United States Design Patent**  
**Hotta et al.**

(10) **Patent No.:** **US D659,500 S**  
(45) **Date of Patent:** **\*\* May 15, 2012**

(54) **PORTABLE NAILER**

D551,931 S \* 10/2007 Leasure ..... D8/69  
D586,196 S \* 2/2009 Kosugi et al. .... D8/69  
D606,378 S \* 12/2009 Okuda et al. .... D8/69

(75) Inventors: **Satoshi Hotta**, Tokyo (JP); **Takeo Hattori**, Tokyo (JP); **Takamichi Hoshino**, Tokyo (JP); **Makoto Kosuge**, Tokyo (JP)

**FOREIGN PATENT DOCUMENTS**

JP D1201888 2/2004  
JP D1202575 4/2004  
JP D1208273 4/2004  
JP D1208859 4/2004  
JP D1208860 4/2004

(73) Assignee: **Max Co., Ltd.**, Tokyo (JP)

\* cited by examiner

(\*\*) Term: **14 Years**

*Primary Examiner* — Antoine D Davis

(21) Appl. No.: **29/398,606**

(74) *Attorney, Agent, or Firm* — Drinker Biddle & Reath LLP

(22) Filed: **Aug. 2, 2011**

(30) **Foreign Application Priority Data**

Feb. 3, 2011 (JP) ..... D2011-002295

(57) **CLAIM**

The ornamental design for a portable nailer, as shown and described.

(51) **LOC (9) Cl.** ..... **08-05**

(52) **U.S. Cl.** ..... **D8/69**

(58) **Field of Classification Search** ..... D8/68-69;  
81/57.11, 429, 454, 455, 456, 469, 489; 173/13,  
173/104, 114, 168, 169-171, 178, 201, 211,  
173/213, 217; 408/20, 124, 125, 234, 241 R;  
451/358; 310/50; 227/113, 114, 120, 130,  
227/136, 142

**DESCRIPTION**

FIG. 1 is a perspective view of the front, top plan and left side of a portable nailer showing our new design;  
FIG. 2 is a perspective view of the rear, top plan and right side thereof;  
FIG. 3 is a front view thereof;  
FIG. 4 is a rear view thereof;  
FIG. 5 is a left side view thereof;  
FIG. 6 is a right side view thereof;  
FIG. 7 is a top plan view thereof; and,  
FIG. 8 is a bottom view thereof.

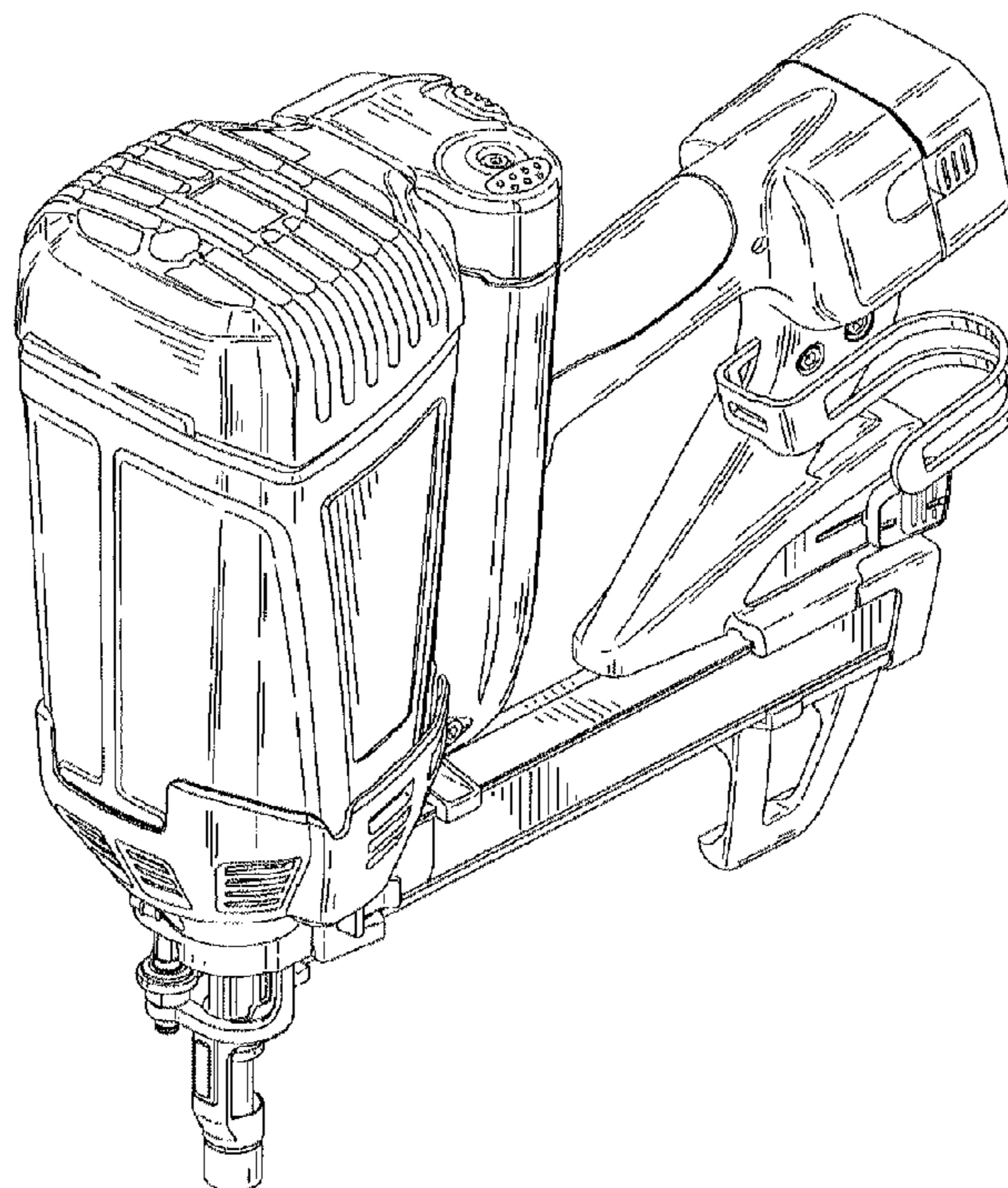
See application file for complete search history.

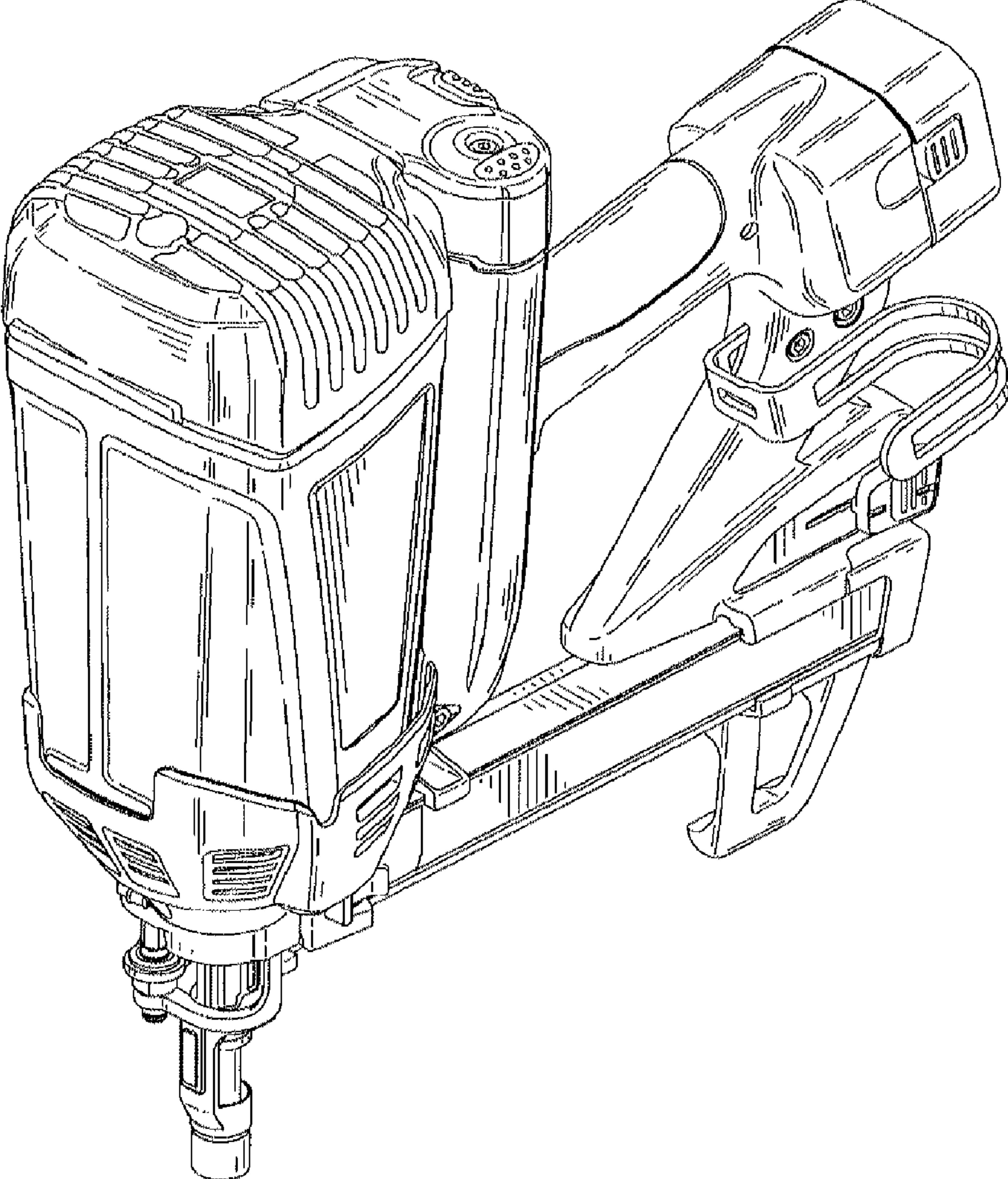
(56) **References Cited**

**U.S. PATENT DOCUMENTS**

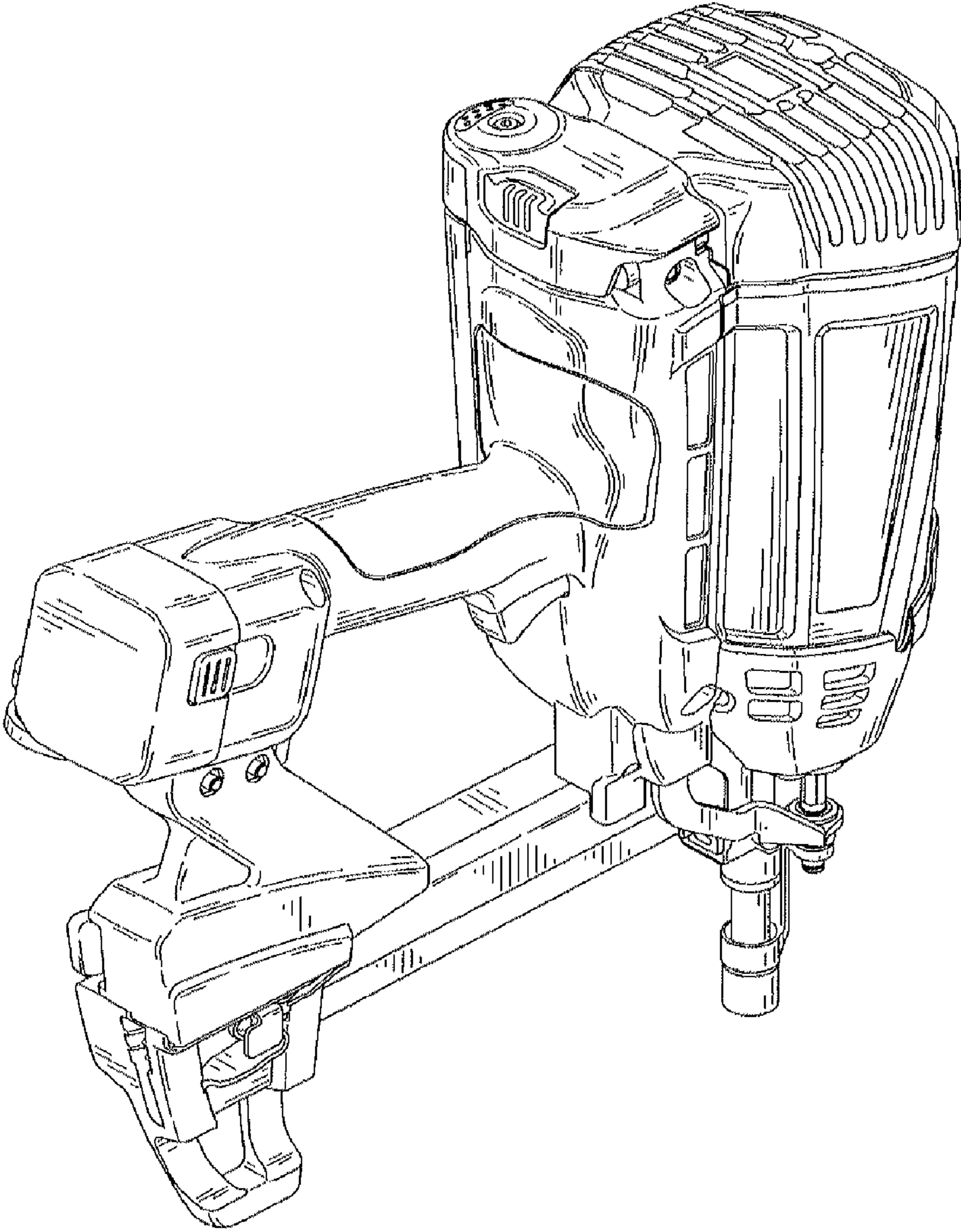
D502,637 S 3/2005 Hattori et al.  
D508,191 S 8/2005 Hattori et al.

**1 Claim, 6 Drawing Sheets**





**FIG. 1**



*FIG. 2*

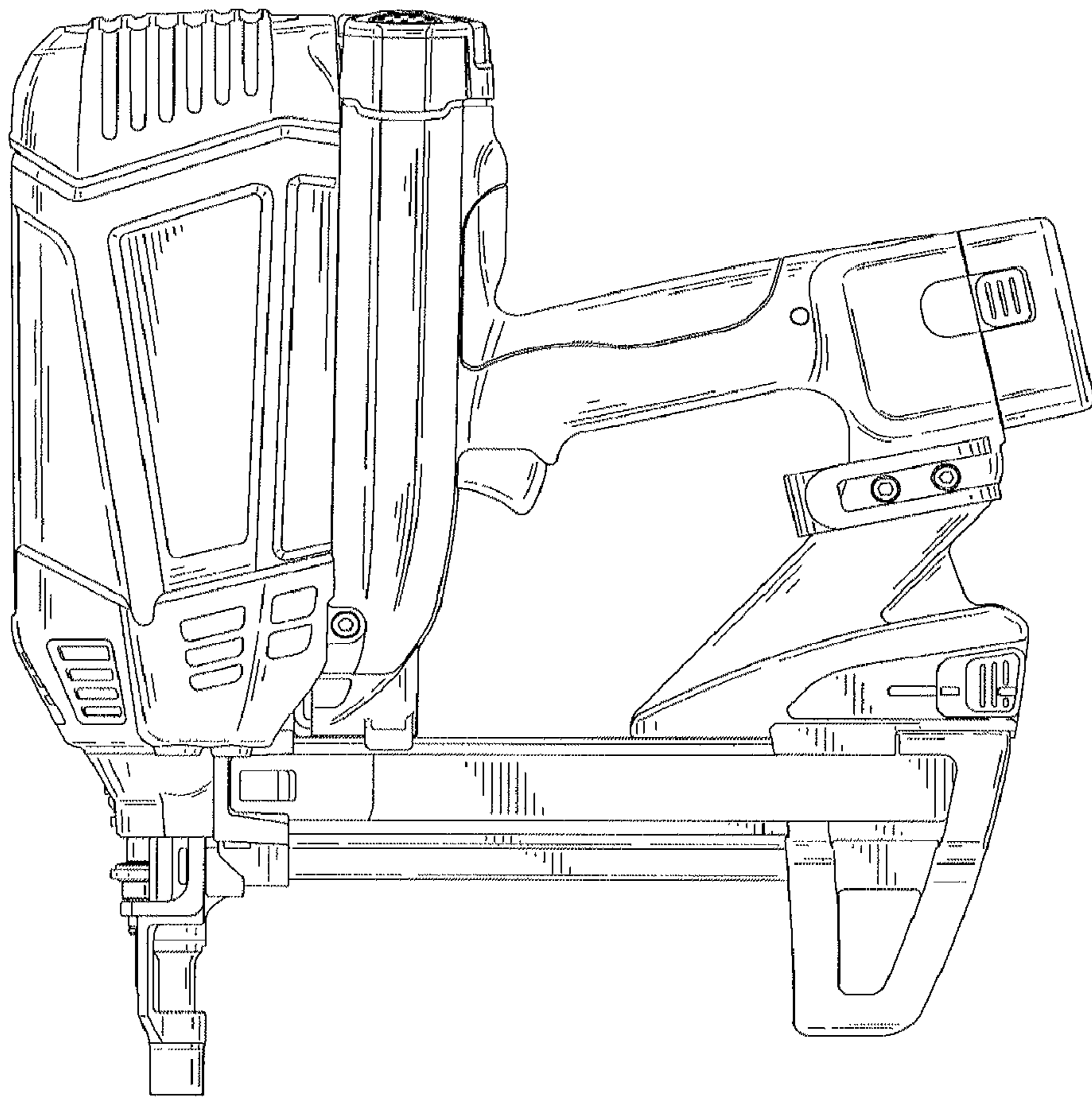


FIG. 3

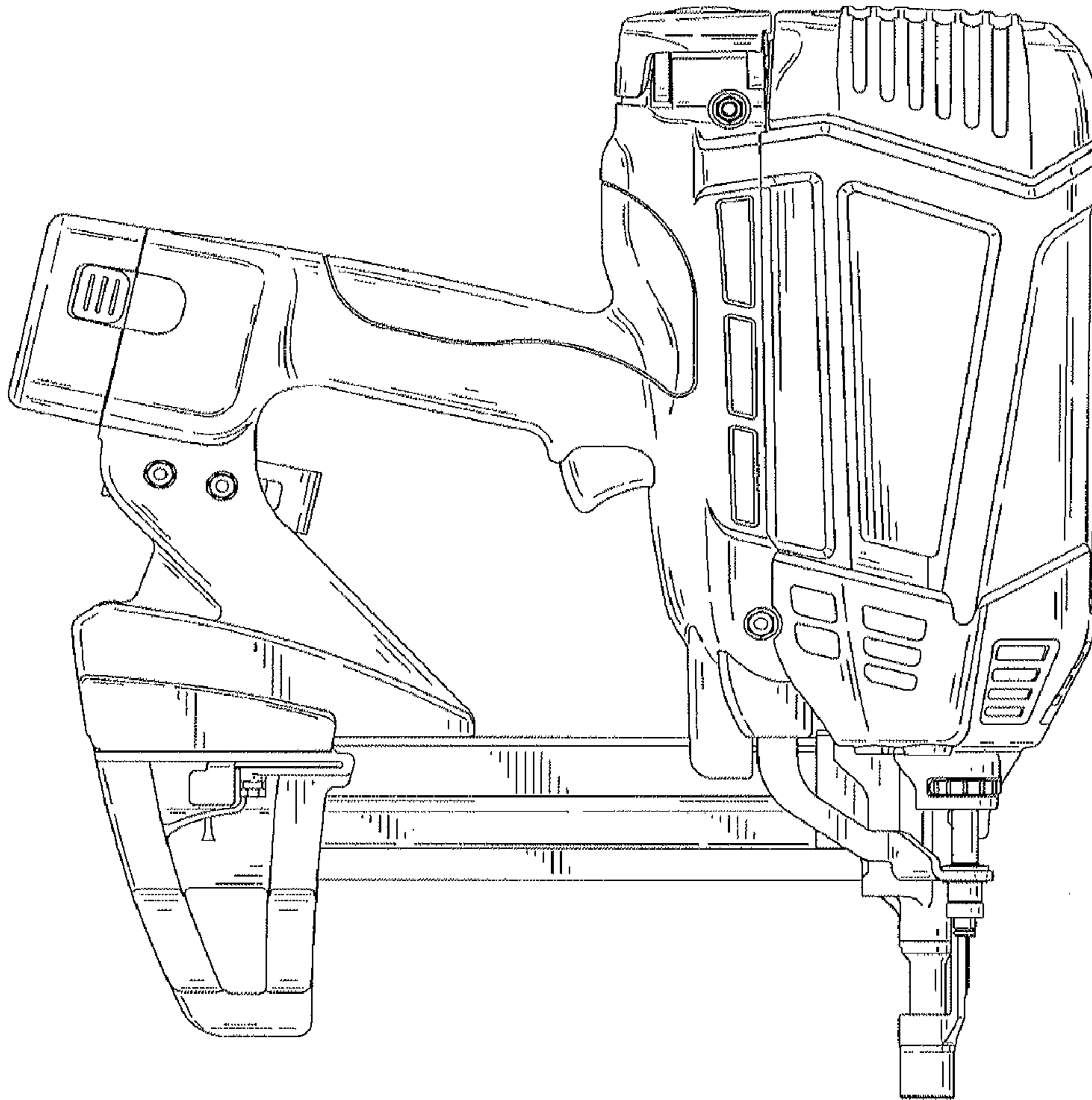


FIG. 4

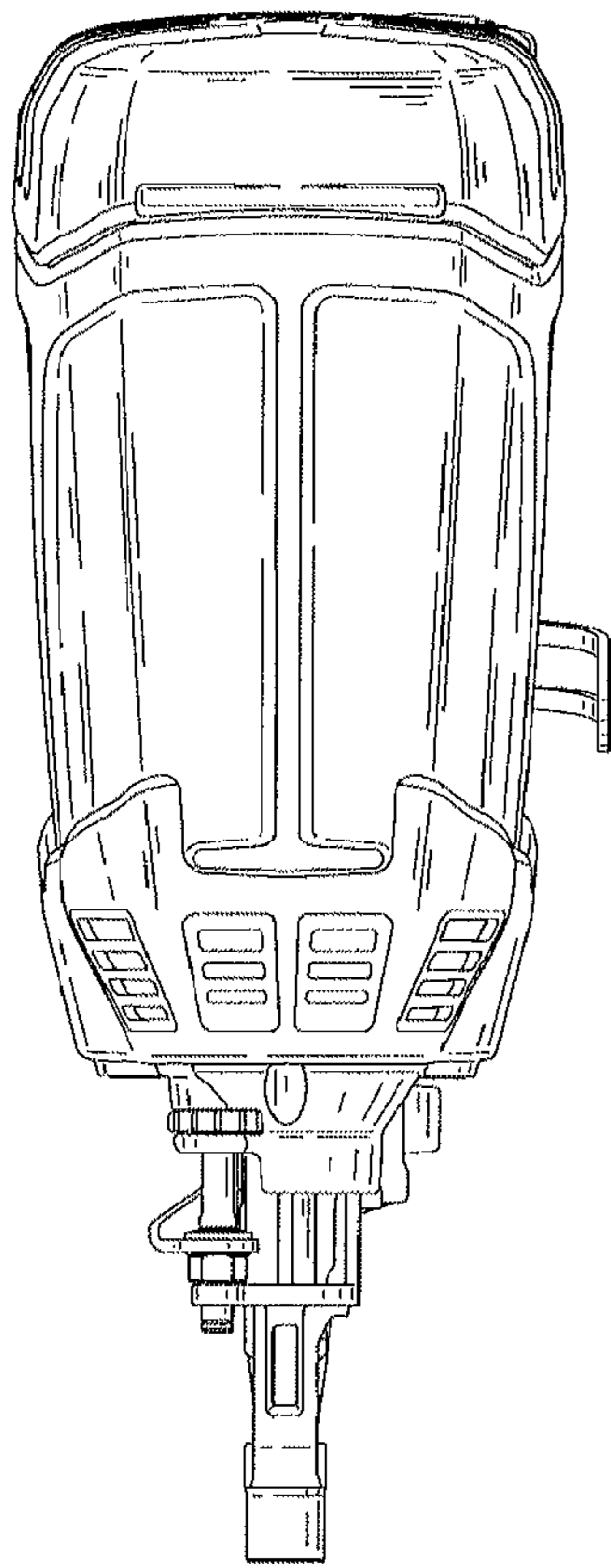


FIG. 5

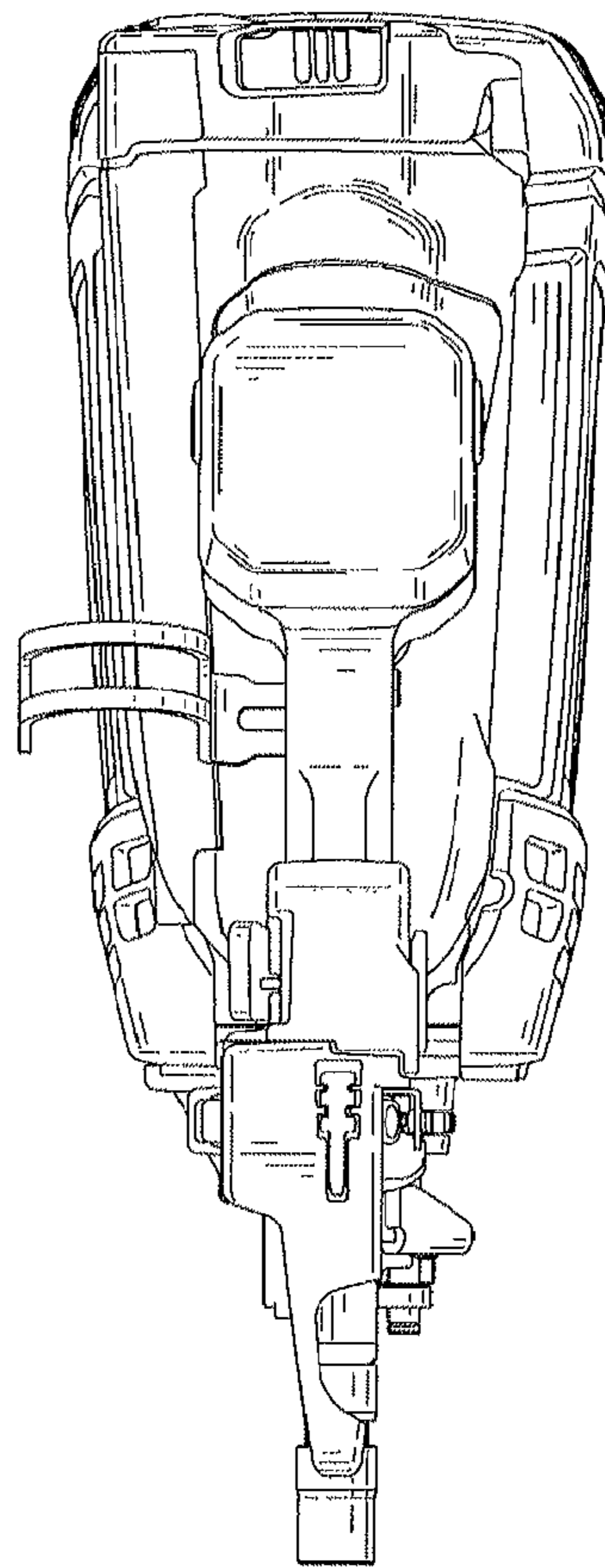


FIG. 6

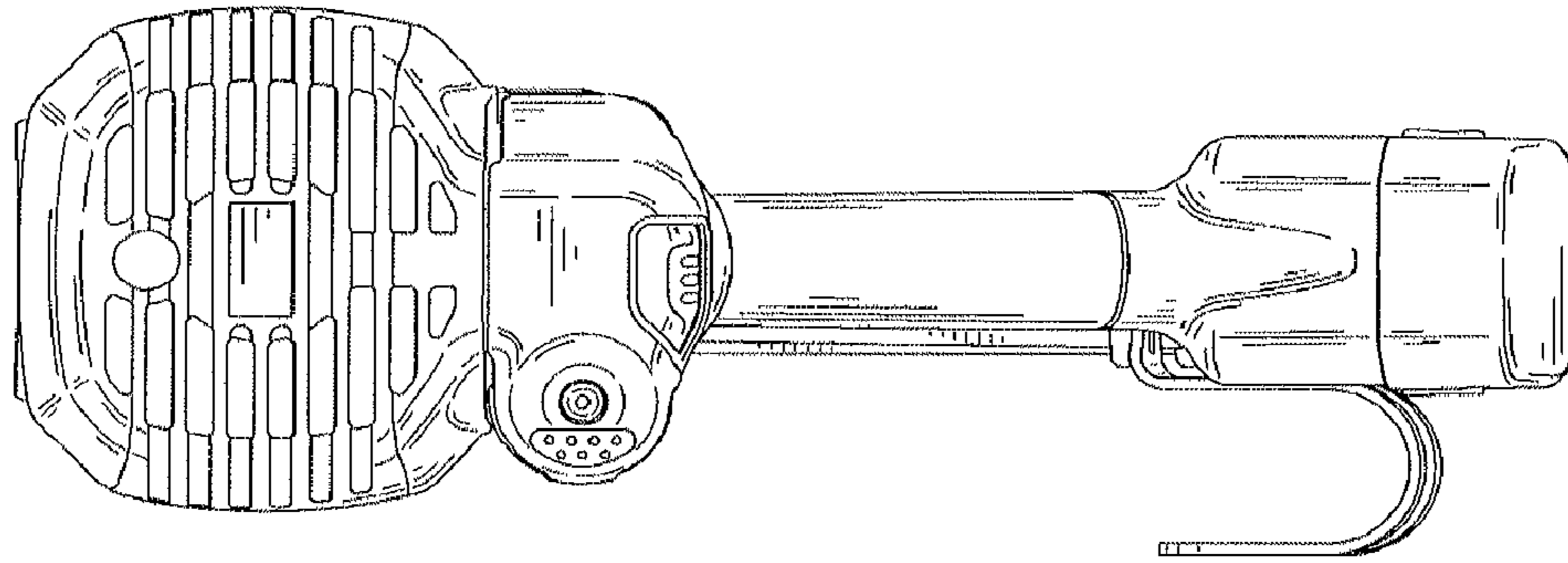


FIG. 7

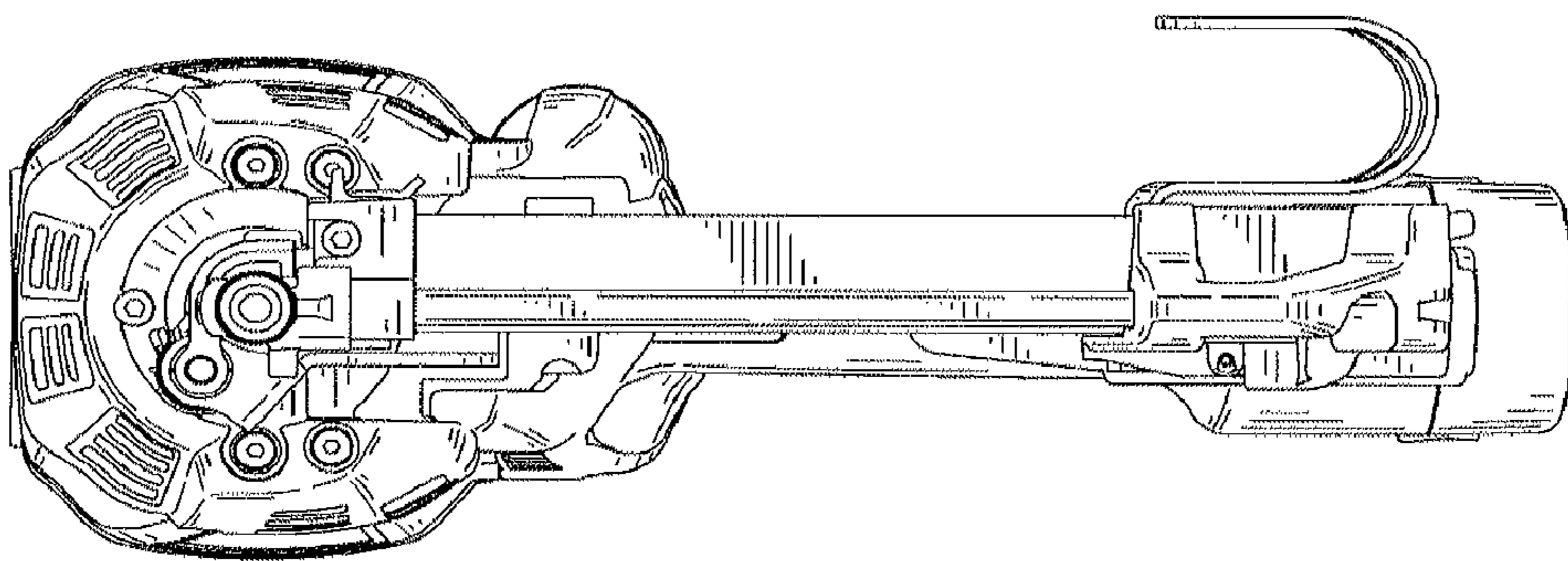


FIG. 8