



US00D659499S

(12) **United States Design Patent**
Okuda et al.

(10) **Patent No.:** **US D659,499 S**
(45) **Date of Patent:** **** May 15, 2012**

(54) **PORTABLE POWER TOOL**

(75) Inventors: **Shinsuke Okuda**, Anjo (JP); **Takahiro Kawakami**, Anjo (JP)

(73) Assignee: **Makita Corporation**, Anjo-shi (JP)

(**) Term: **14 Years**

(21) Appl. No.: **29/412,499**

(22) Filed: **Feb. 3, 2012**

(30) **Foreign Application Priority Data**

Sep. 2, 2011 (JP) 2011-19920

(51) **LOC (9) Cl.** **08/01**

(52) **U.S. Cl.** **D8/61**

(58) **Field of Classification Search** D8/61,
D8/62, 67, 69; 81/57, 57.11, 57.14, 57.26,
81/429, 464, 469; 173/2, 170, 176, 181
See application file for complete search history.

(56) **References Cited**

U.S. PATENT DOCUMENTS

D559,639 S *	1/2008	Henssler et al.	D8/61
D567,046 S *	4/2008	Henssler et al.	D8/61
D568,704 S *	5/2008	Aglassinger	D8/62
D576,461 S *	9/2008	Bast	D8/62
D598,260 S *	8/2009	Jerome et al.	D8/61
D602,756 S *	10/2009	Henssler et al.	D8/61
D643,700 S *	8/2011	Schultheiss et al.	D8/64
D647,771 S *	11/2011	Schoch et al.	D8/61
D648,997 S *	11/2011	Allan et al.	D8/61
D653,922 S *	2/2012	Henssler et al.	D8/61

OTHER PUBLICATIONS

Bosch Catalog MX25EC-21; Printed in Germany; 2010.

* cited by examiner

Primary Examiner — Austin Murphy

(74) *Attorney, Agent, or Firm* — Global IP Counselors LLP

(57) **CLAIM**

The ornamental design for a portable power tool, as shown and described.

DESCRIPTION

FIG. 1 is a front perspective view of a portable power tool in accordance with our new design;

FIG. 2 is a rear perspective view of the portable power tool in accordance with our new design;

FIG. 3 is a front elevational view of the portable power tool in accordance with our new design;

FIG. 4 is a rear elevational view of the portable power tool in accordance with our new design;

FIG. 5 is a top plan view of the portable power tool in accordance with our new design;

FIG. 6 is a bottom plan view of the portable power tool in accordance with our new design;

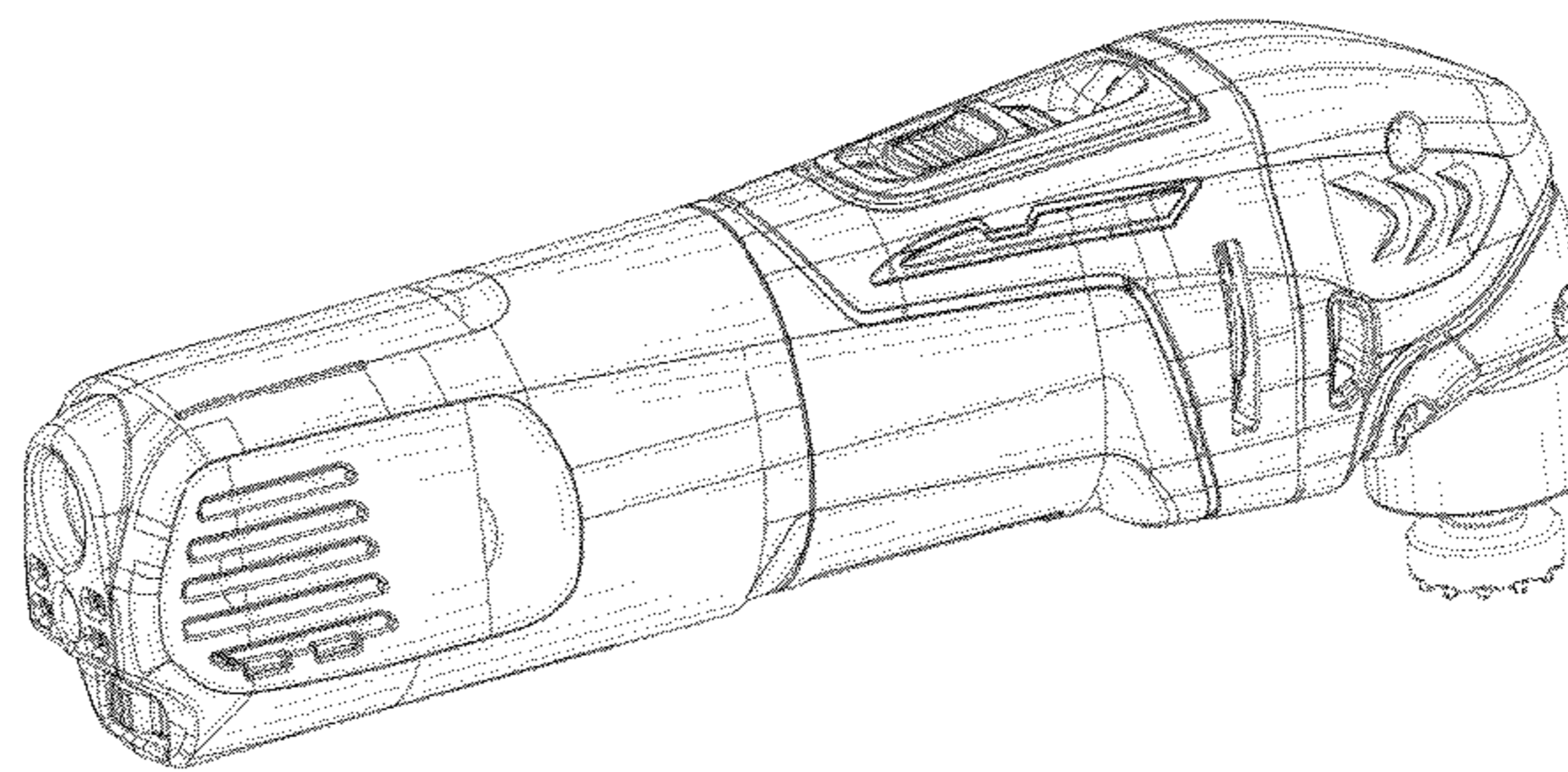
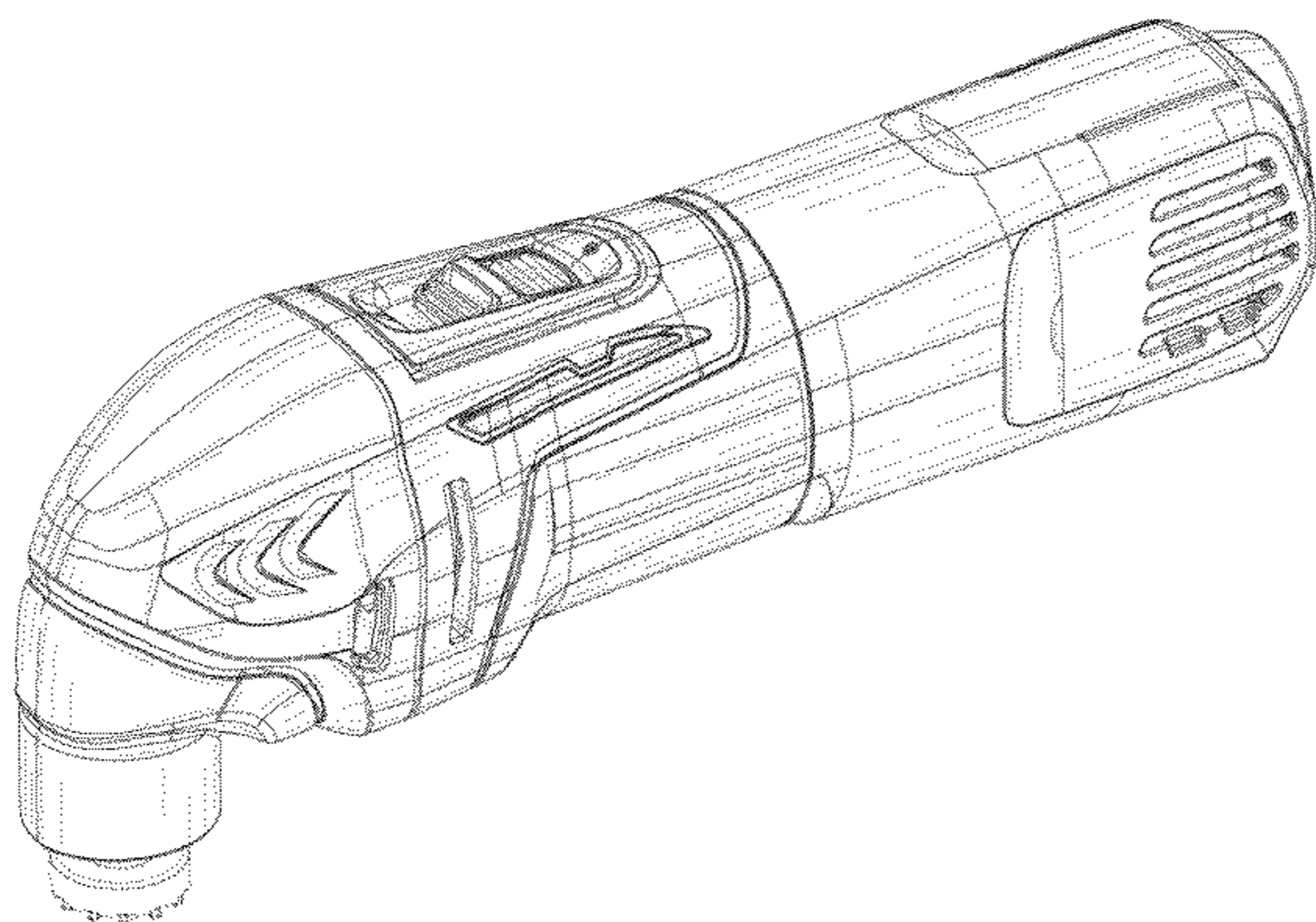
FIG. 7 is a right side elevational view of the portable power tool in accordance with our new design;

FIG. 8 is a left side elevational view of the portable power tool in accordance with our new design; and,

FIG. 9 is a front perspective view of the portable power tool with an attachment shown as unclaimed.

The broken line showing of environment in FIGS. 1-9 is for illustrative purposes only and forms no part of the claimed design.

1 Claim, 9 Drawing Sheets



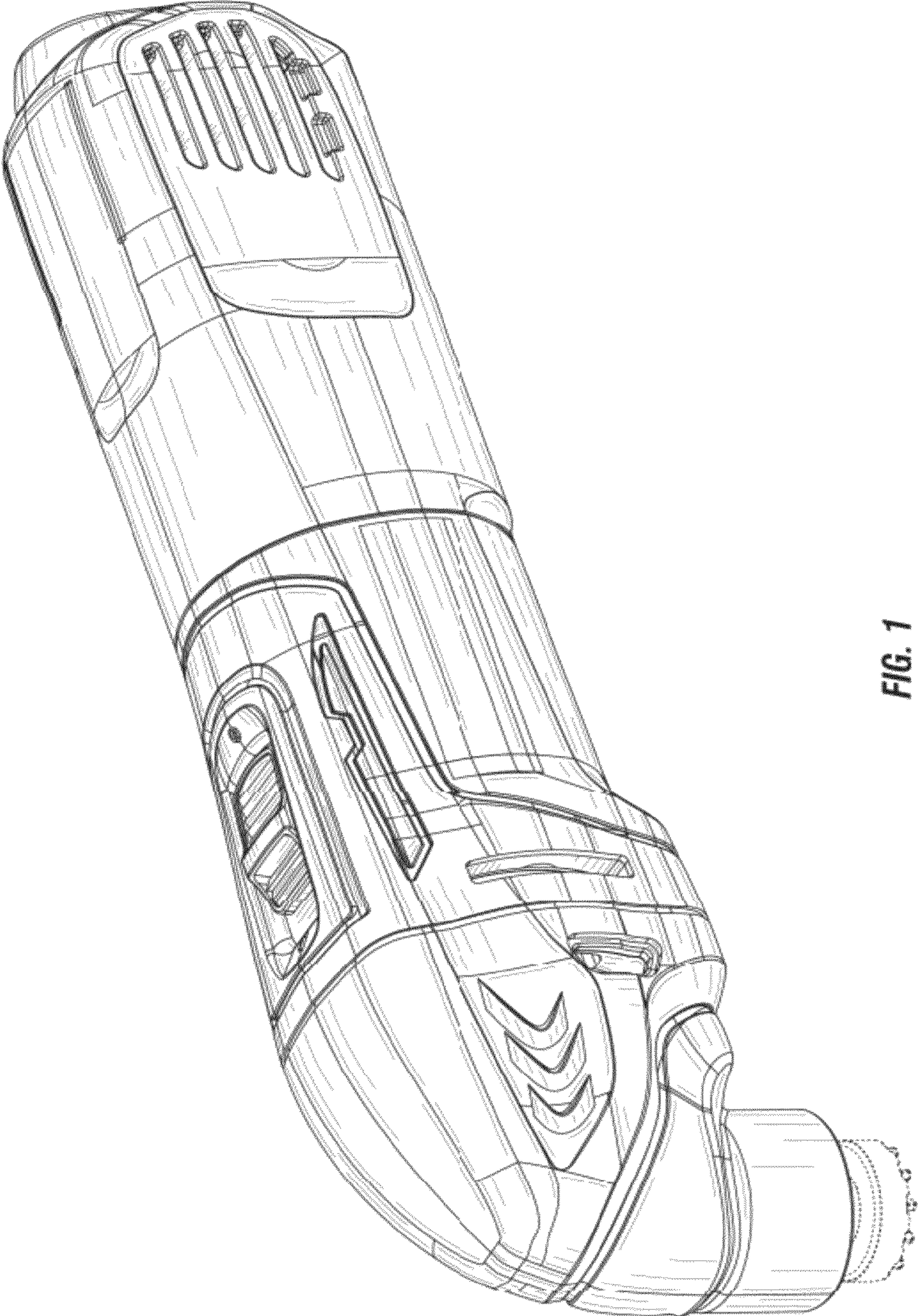


FIG. 1

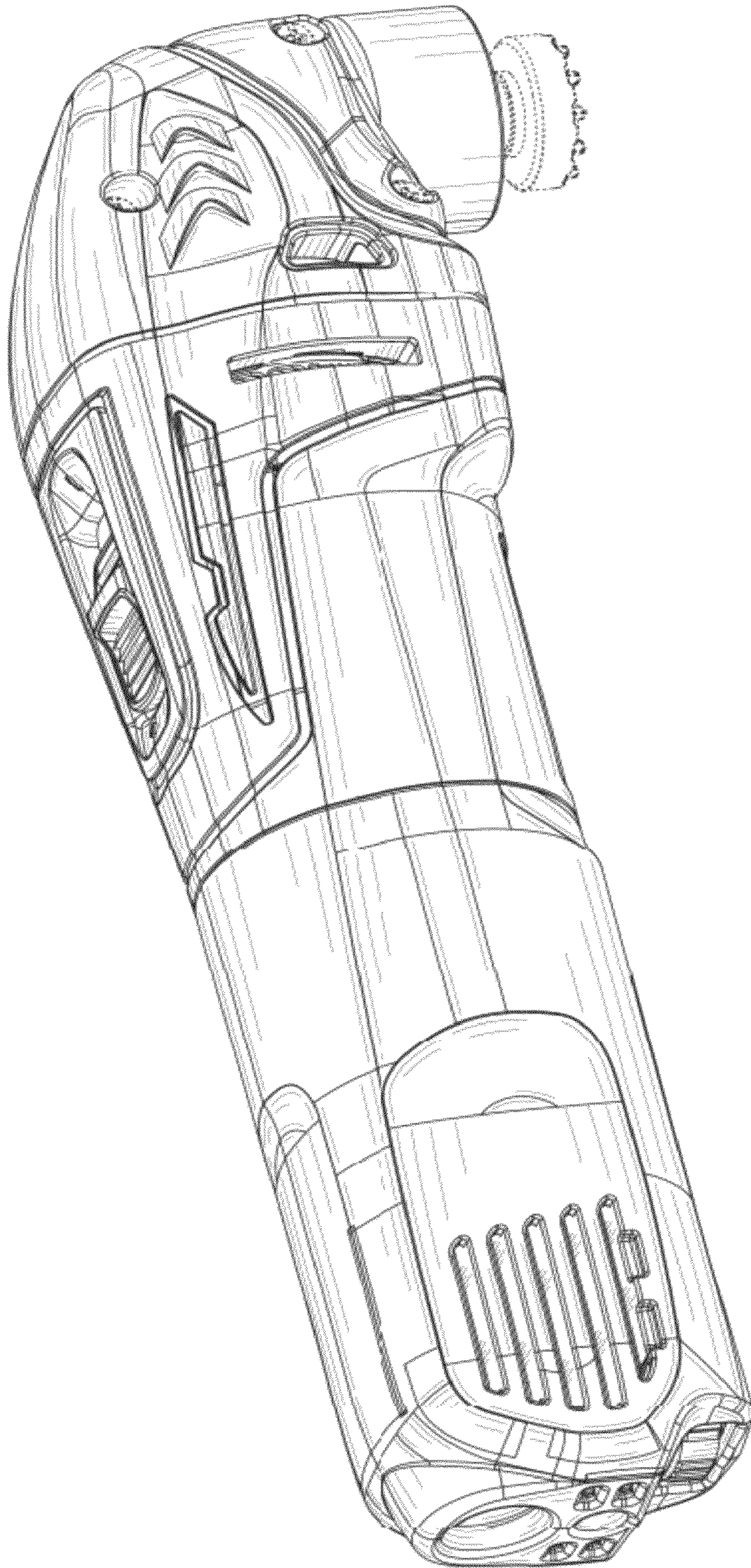


FIG. 2

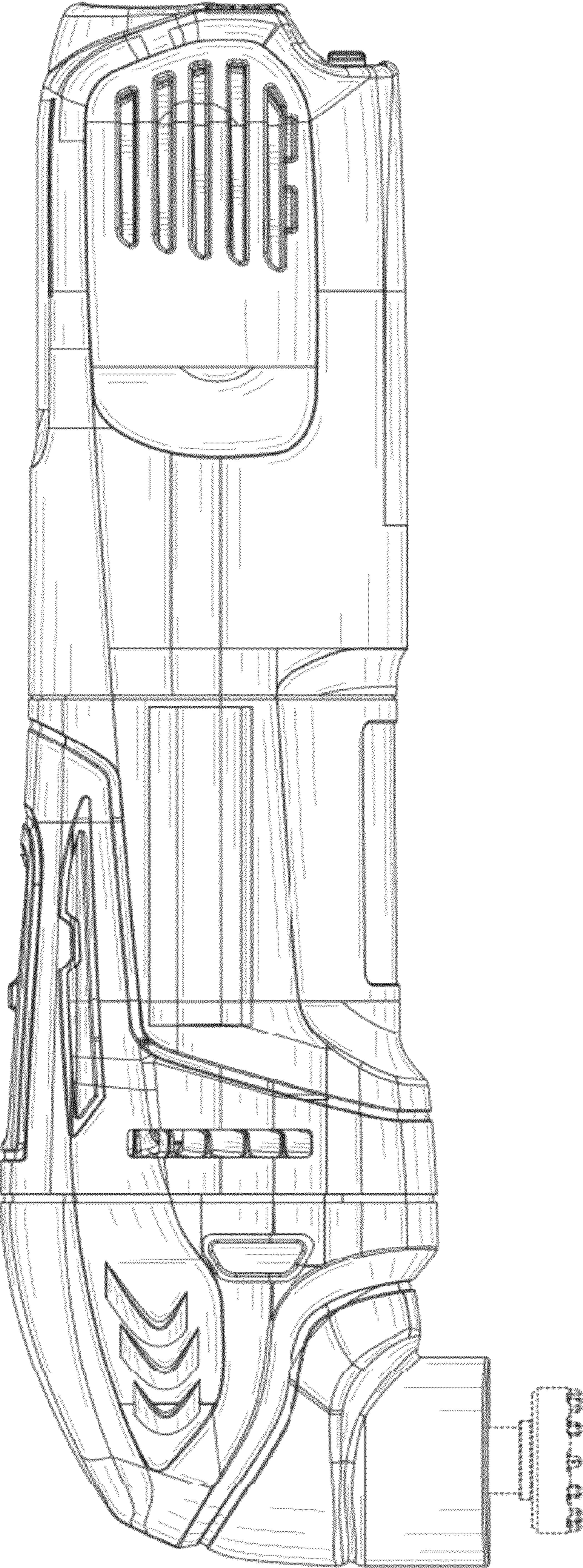


FIG. 3

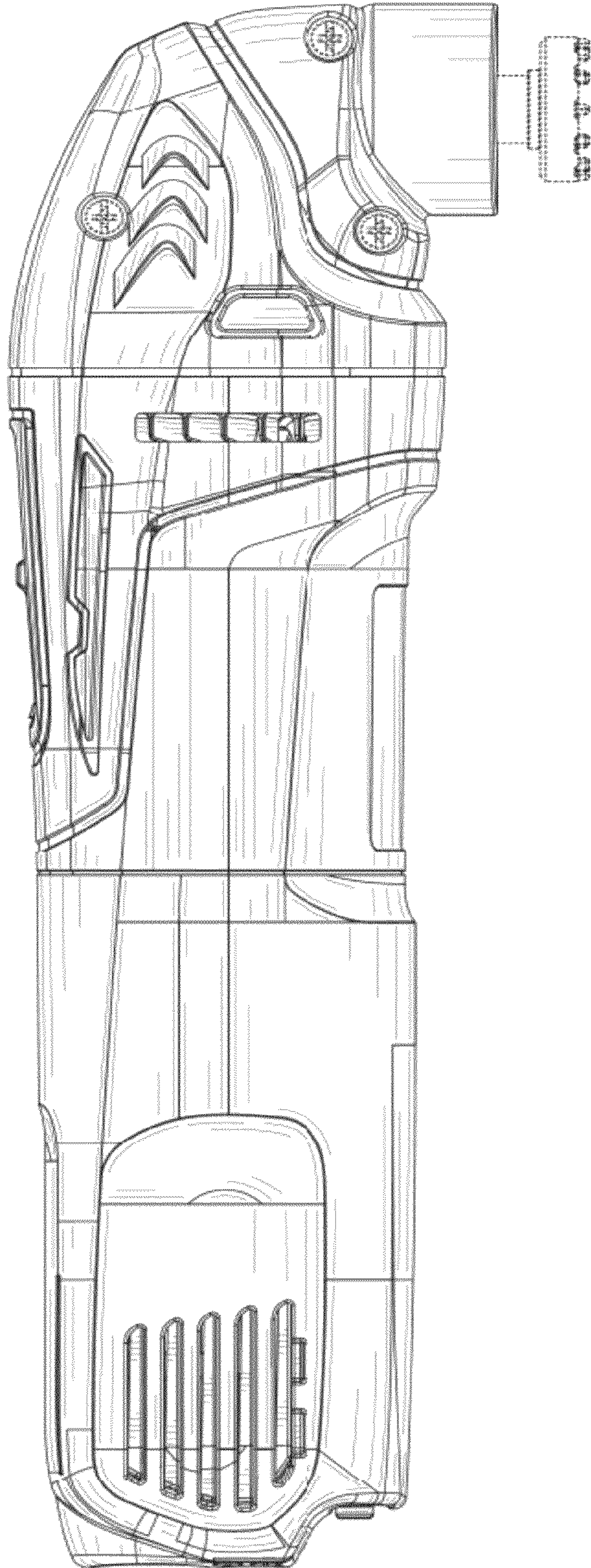


FIG. 4

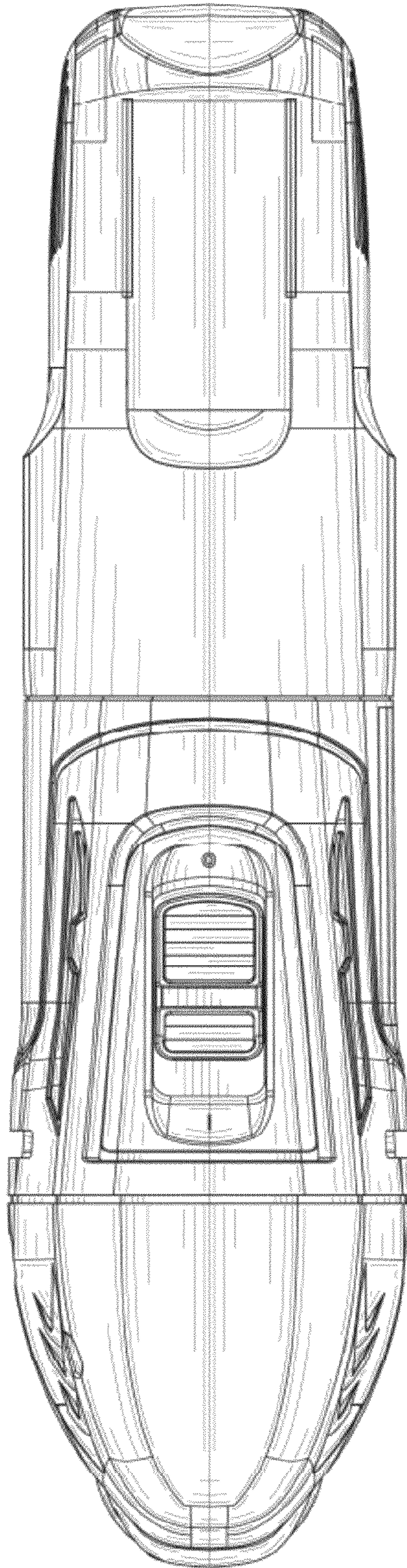


FIG. 5

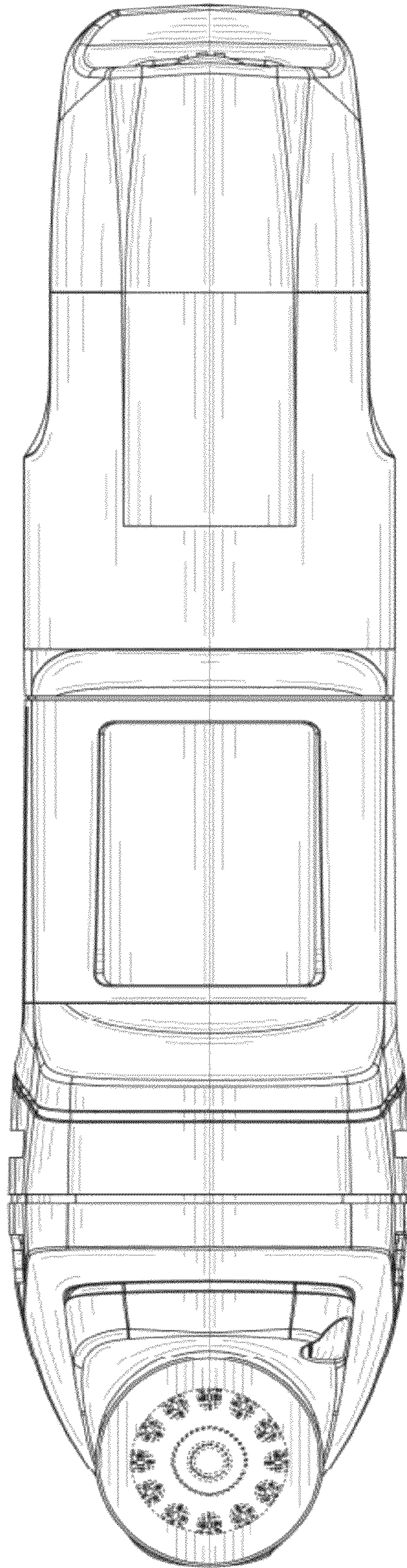


FIG. 6

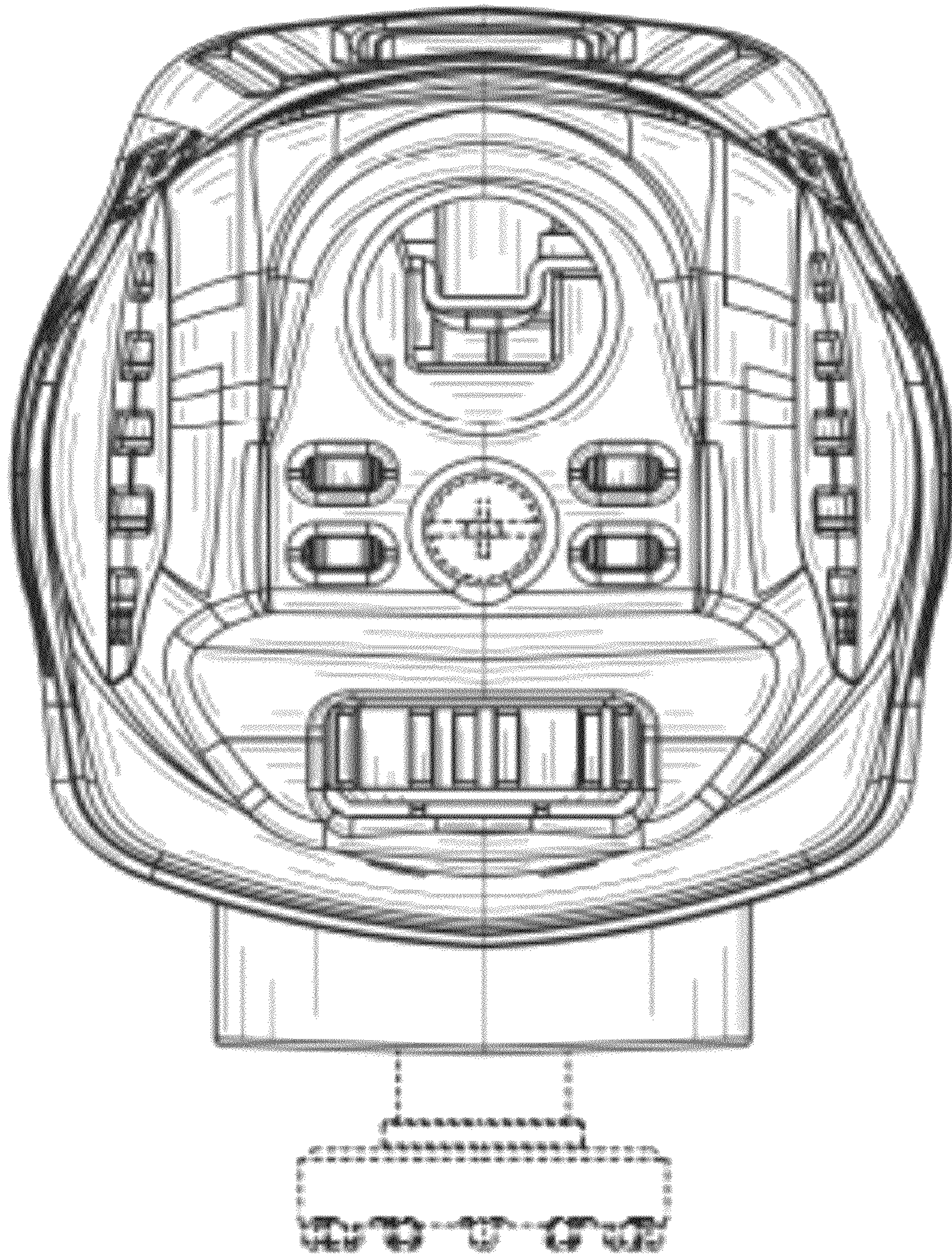


FIG. 7

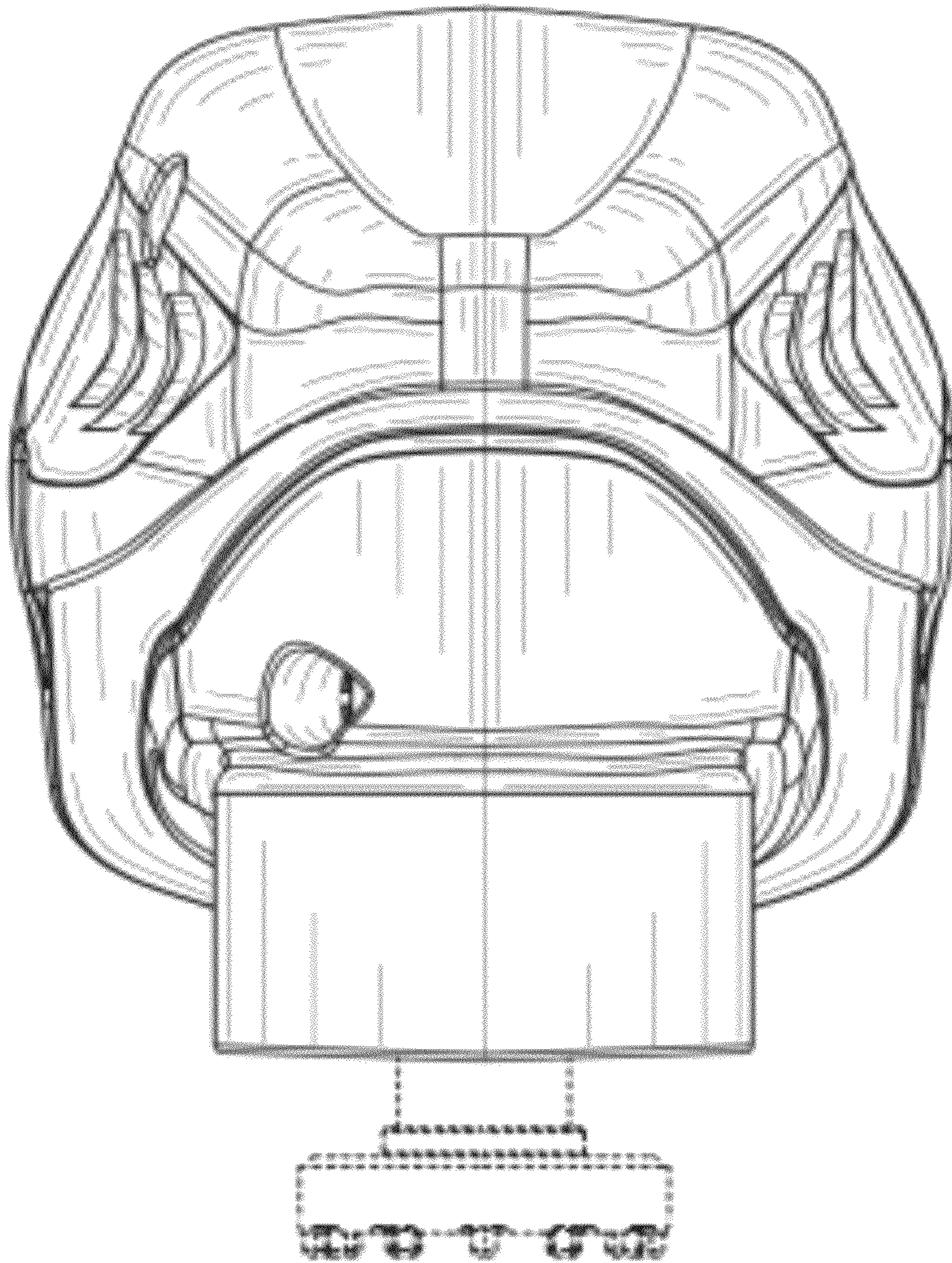


FIG. 8

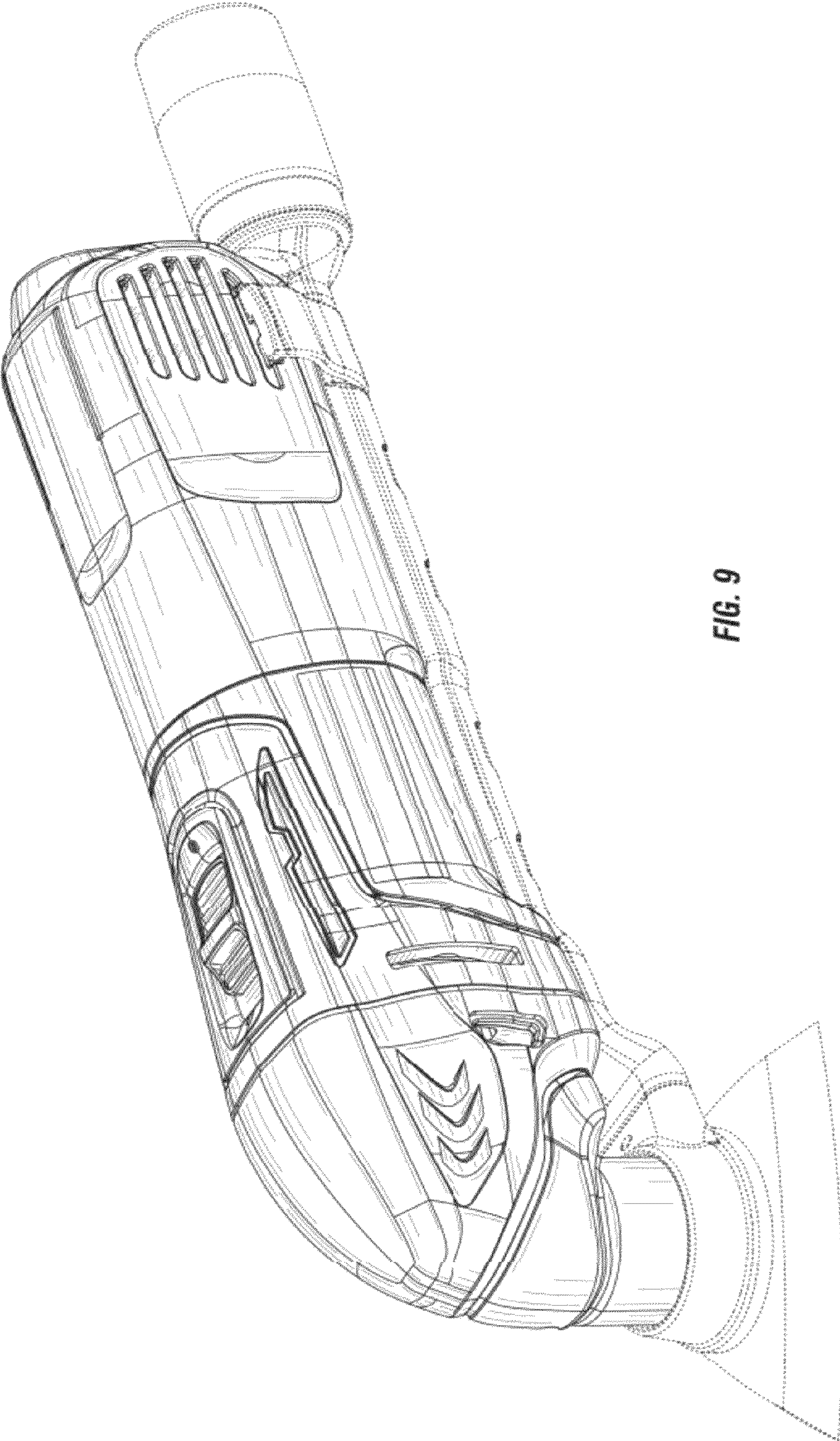


FIG. 9