



US00D659497S

(12) **United States Design Patent**
Blazevic

(10) **Patent No.:** **US D659,497 S**

(45) **Date of Patent:** **** May 15, 2012**

(54) **REFRIGERATOR MAGNET AND BOTTLE
CAP REMOVER**

(76) Inventor: **Aaron Blazevic**, Grapevine, TX (US)

(**) Term: **14 Years**

(21) Appl. No.: **29/374,534**

(22) Filed: **Aug. 27, 2011**

(51) **LOC (9) Cl.** **07-99**

(52) **U.S. Cl.** **D8/34; D8/40**

(58) **Field of Classification Search** D8/14,
D8/16-19, 33-43, 88, 89, 105; 7/113, 151-156;
30/400-410, 416-430, 433, 434, 443, 450;
81/3.07, 3.09, 3.2, 3.27, 3.29, 3.31, 3.35,
81/3.37, 3.4, 3.45, 3.48, 3.49, 3.55
See application file for complete search history.

(56) **References Cited**

U.S. PATENT DOCUMENTS

2,631,482	A *	3/1953	Rinehart	81/3.4
D231,313	S *	4/1974	Heelan	D8/38
3,812,741	A *	5/1974	Heine	81/3.4
D256,660	S *	9/1980	Mascia	D8/40

D280,594	S *	9/1985	Dow	D8/40
D281,572	S *	12/1985	Gabriel et al.	D8/40
D320,916	S *	10/1991	Riddle et al.	D8/40
D383,045	S *	9/1997	Turso	D8/38
D538,464	S *	3/2007	Chen	D8/34

* cited by examiner

Primary Examiner — Garth Rademaker

(57) **CLAIM**

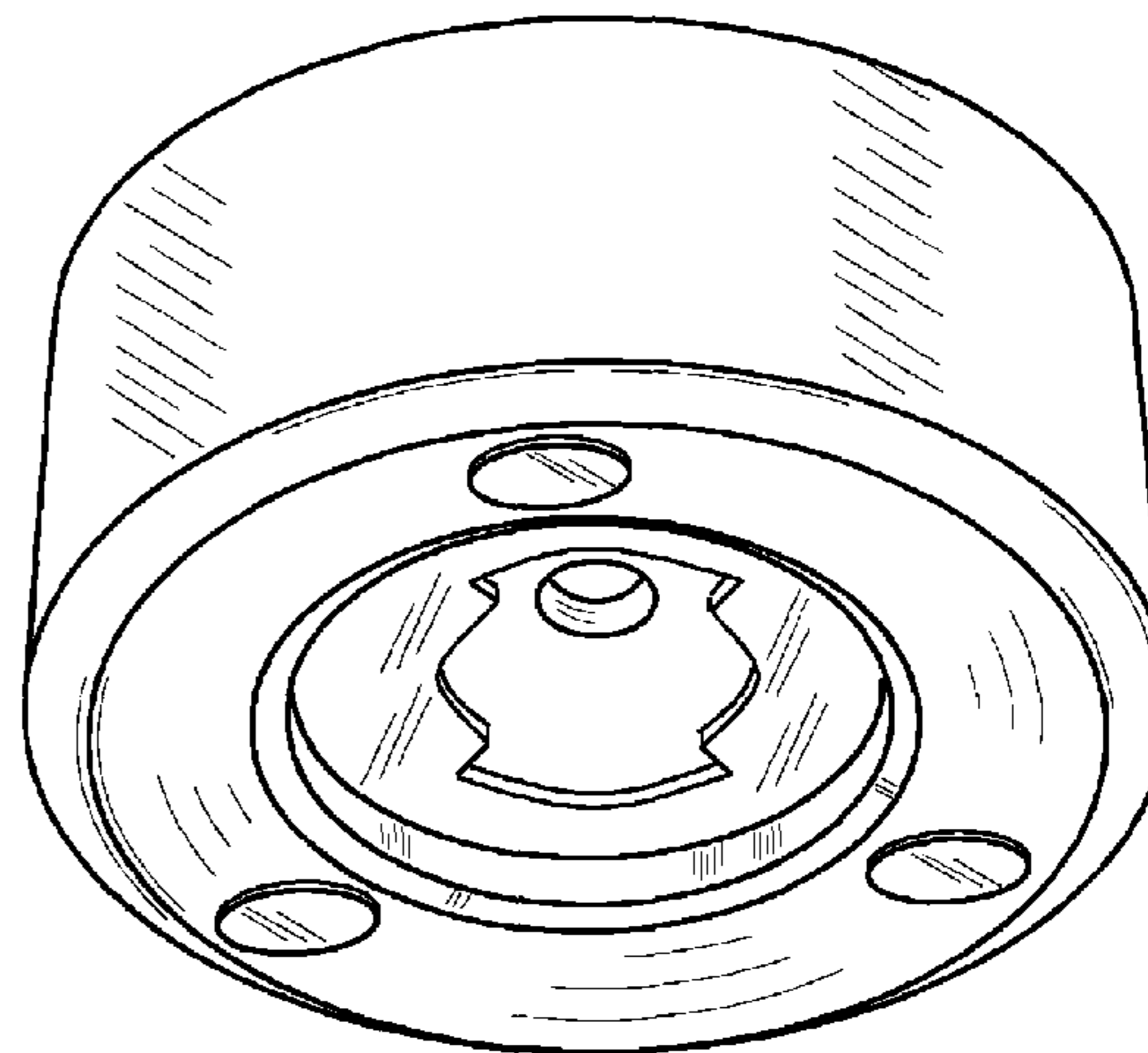
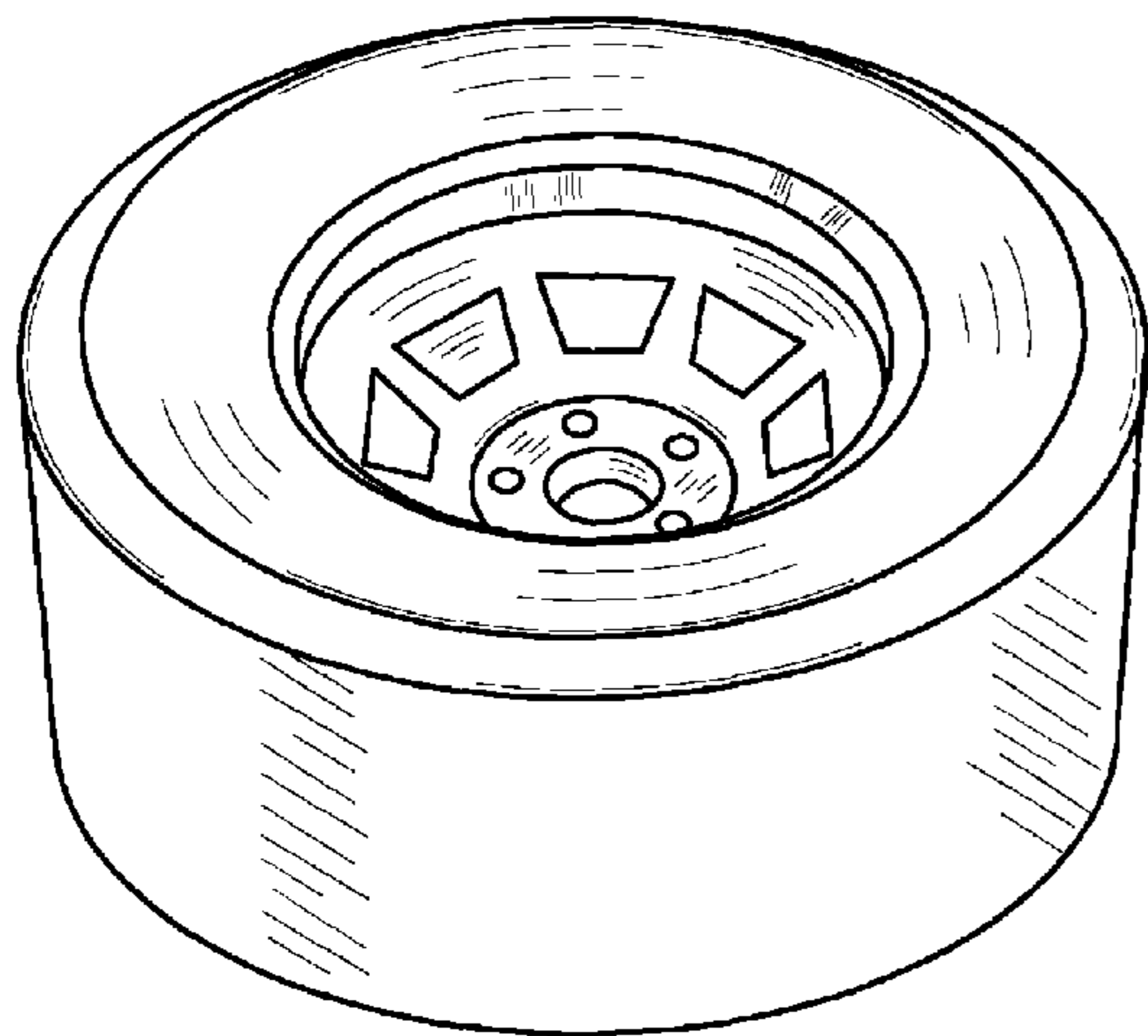
The ornamental design for a refrigerator magnet and bottle cap remover, as shown and described.

DESCRIPTION

FIG. 1 is a top perspective view of a refrigerator magnet and bottle cap remover;
FIG. 2 is a bottom perspective view thereof;
FIG. 3 is a side elevation view thereof;
FIG. 4 is a top plan view thereof;
FIG. 5 is a bottom plan view thereof; and,
FIG. 6 is a perspective view thereof, shown in an environment of use.

The broken lines depict a typical environment of use and form no part of the claimed design.

1 Claim, 3 Drawing Sheets



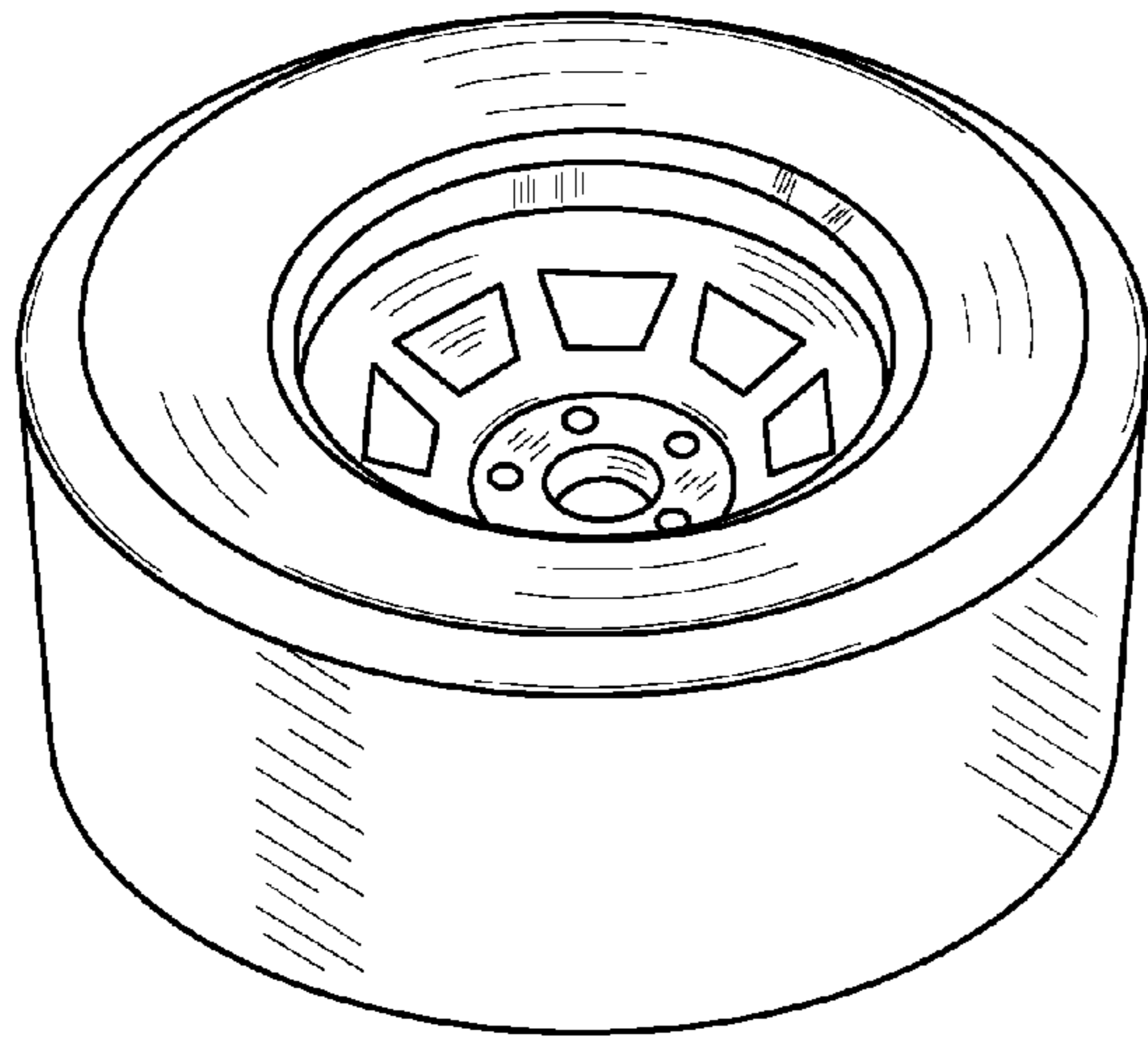


FIG. 1

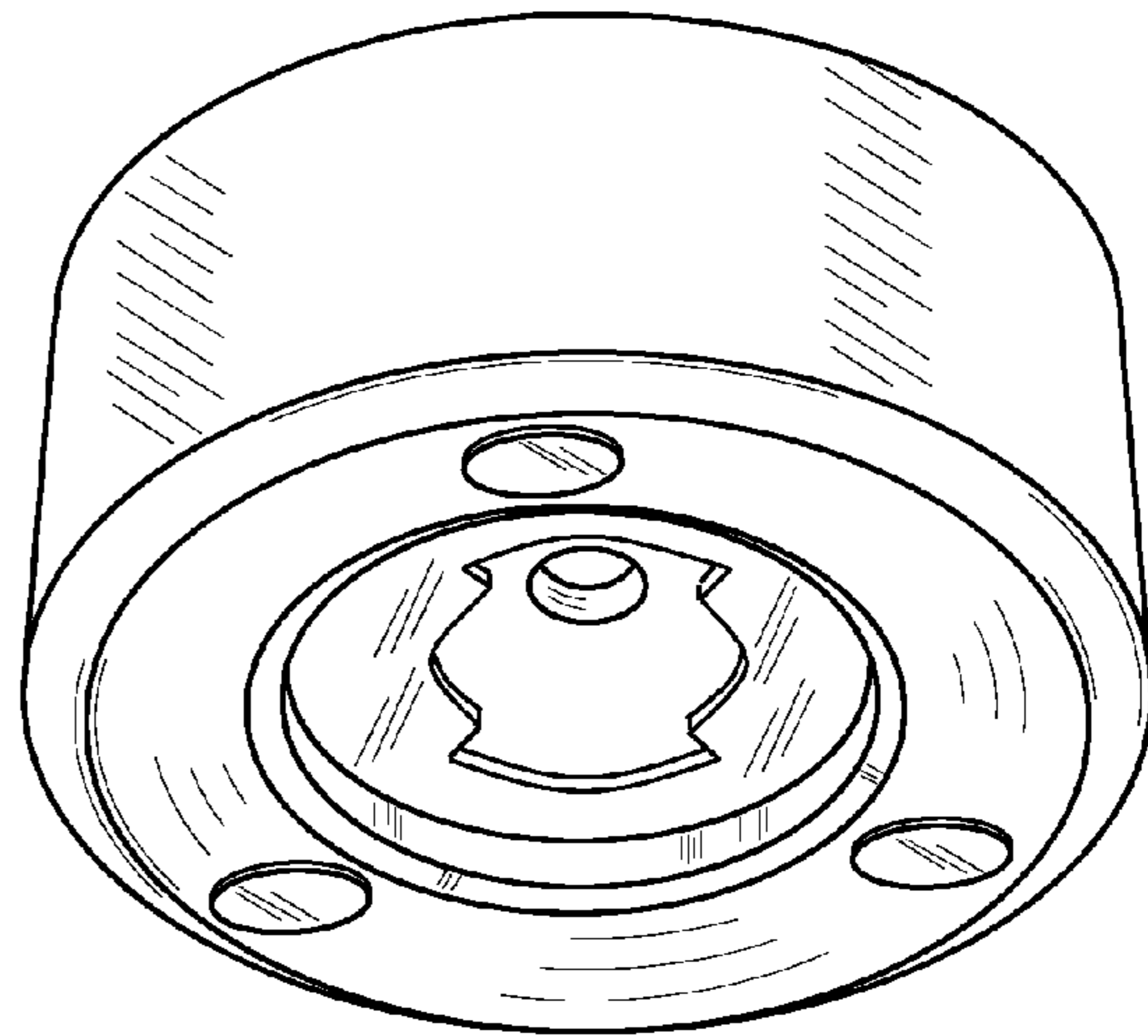


FIG. 2

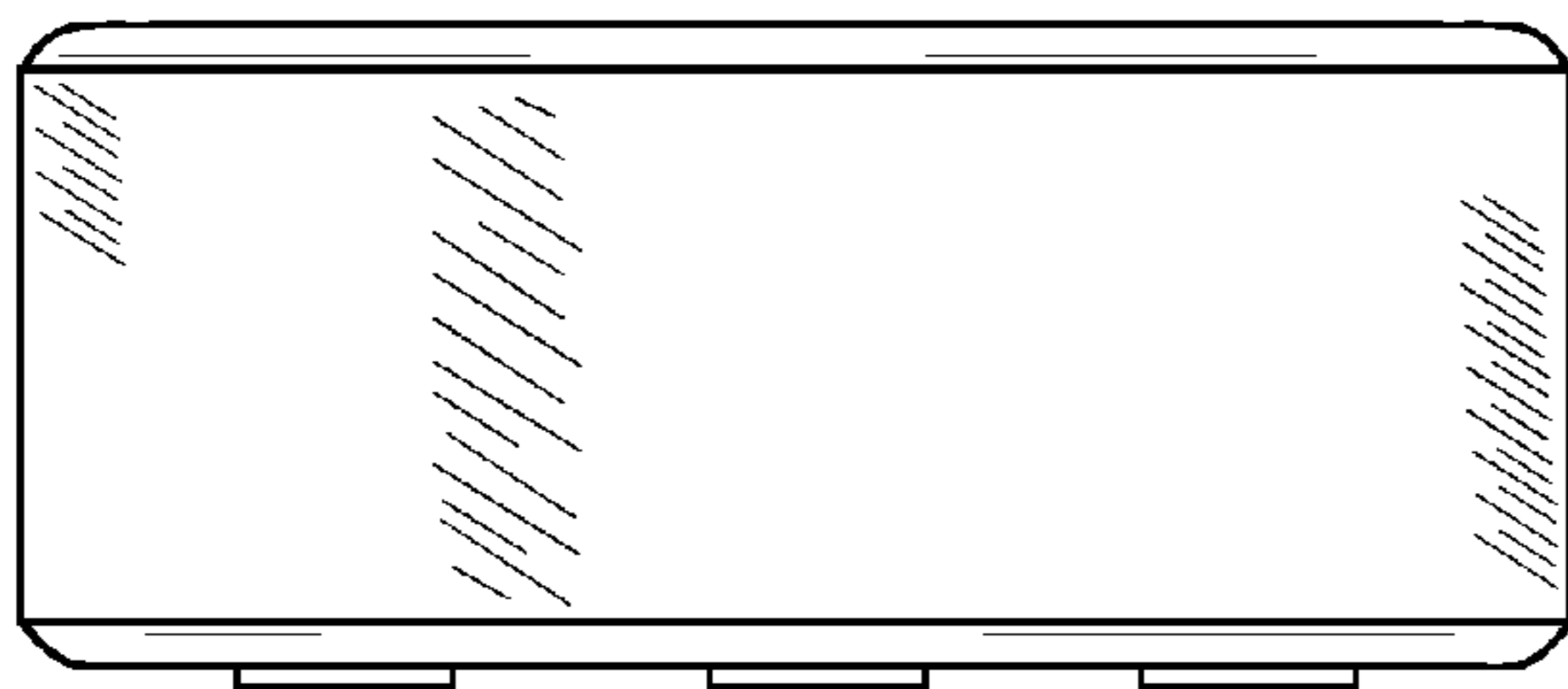


FIG. 3

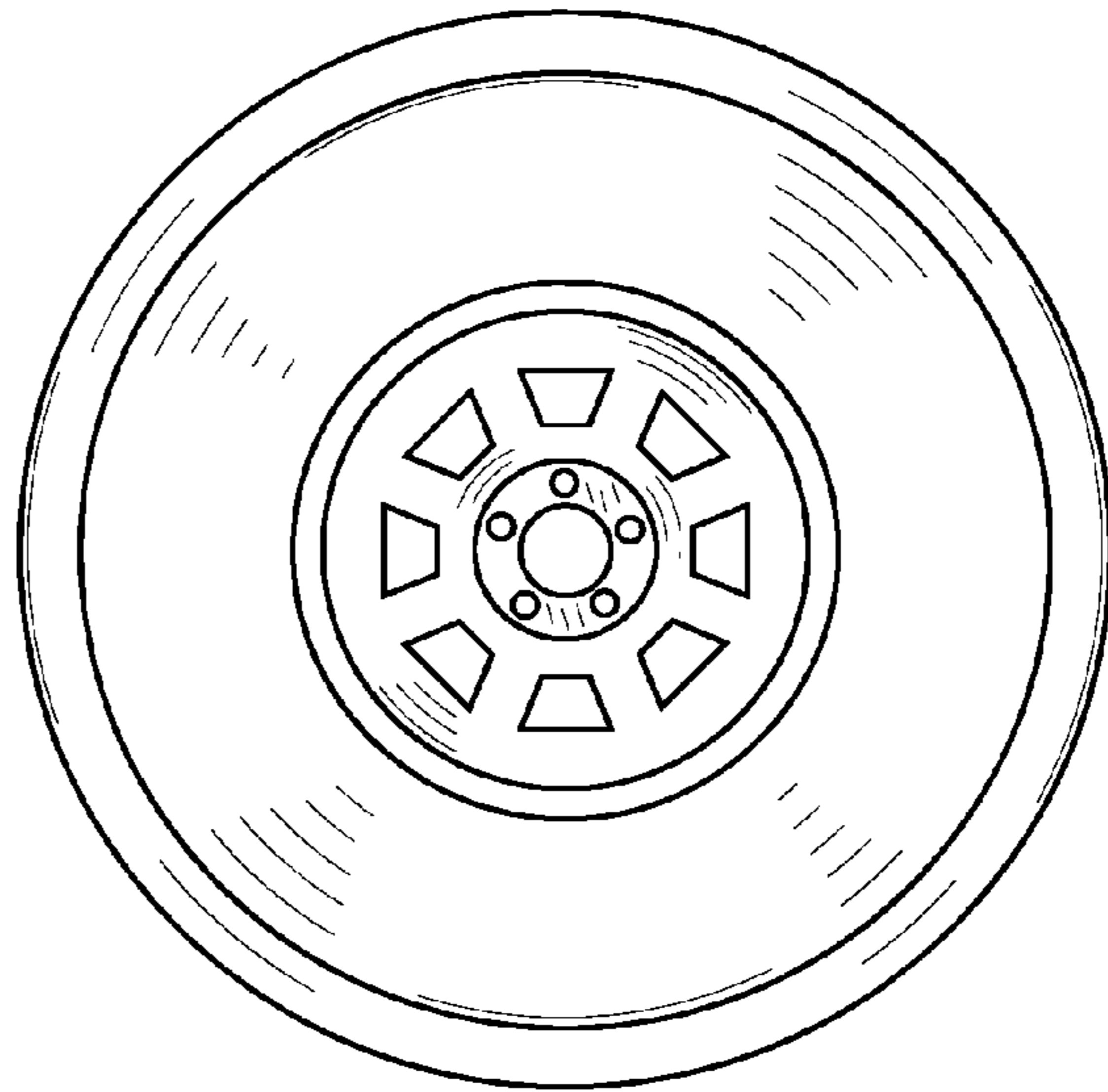


FIG.4

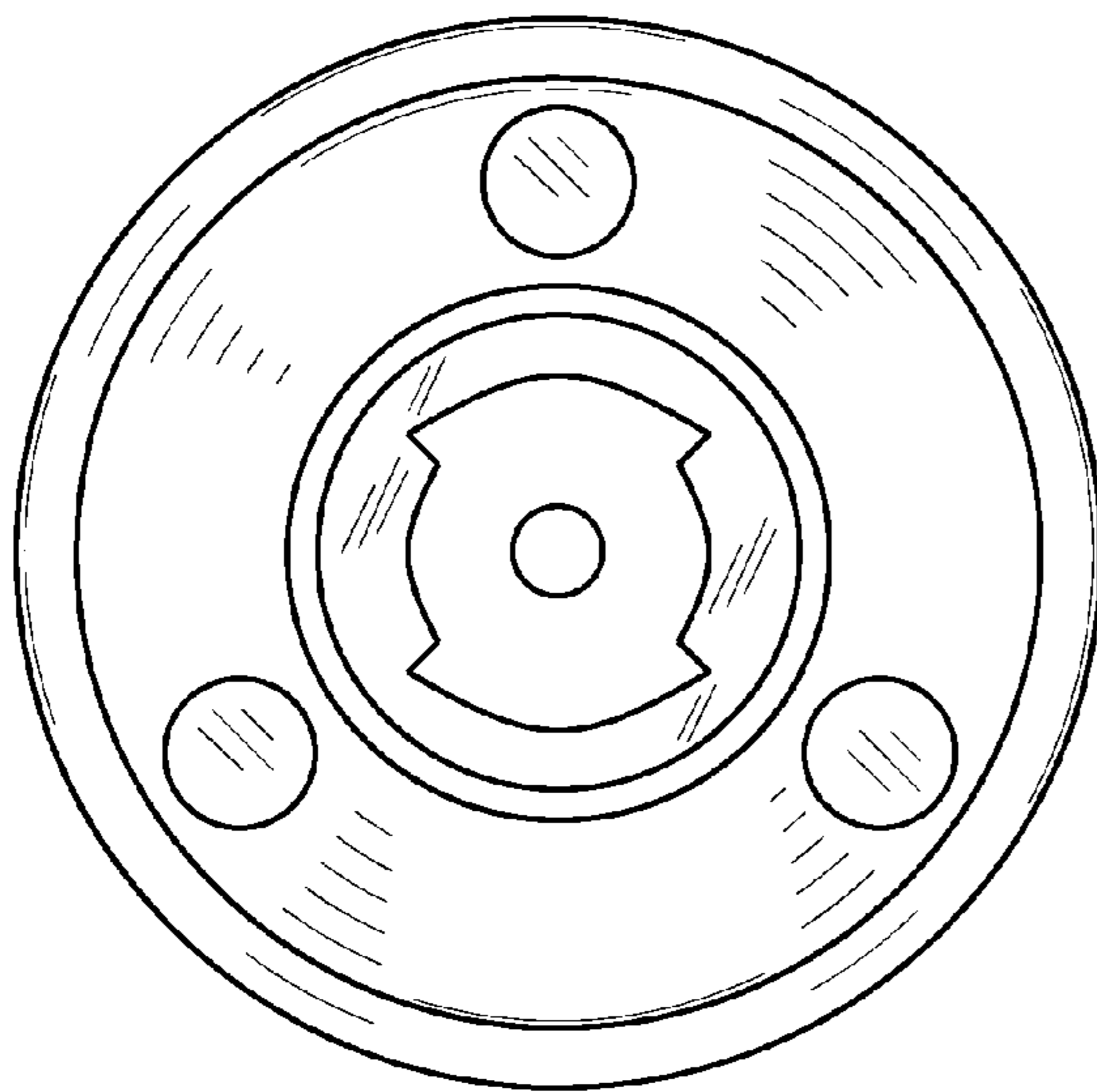


FIG.5

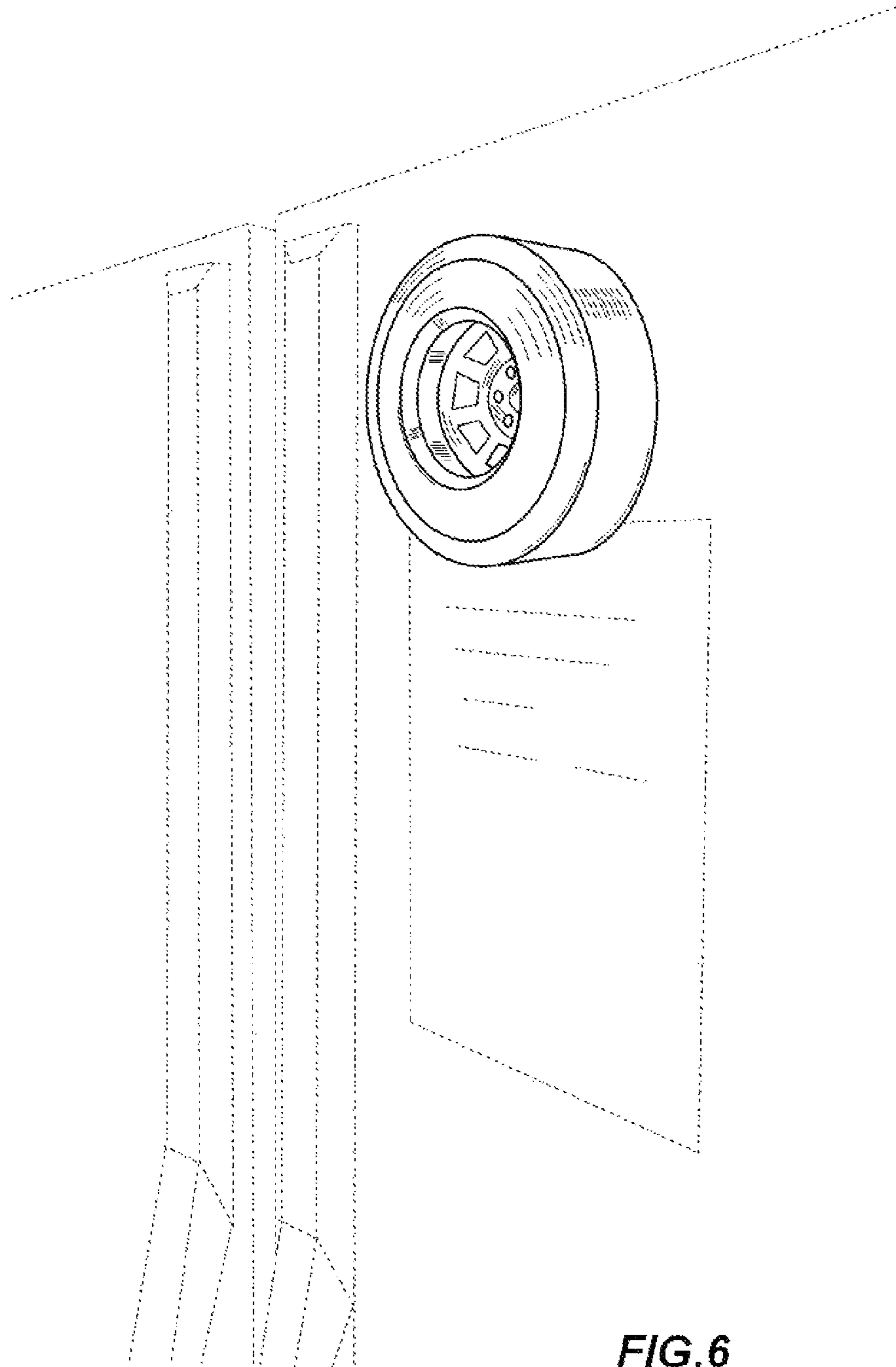


FIG. 6