



US00D659496S

(12) **United States Design Patent**  
**Mochizuki et al.**

(10) **Patent No.:** **US D659,496 S**

(45) **Date of Patent:** **\*\* May 15, 2012**

(54) **GRIP FOR HOT AIR BLOWING TOOL FOR MELTING SOLDER**

(75) Inventors: **Toshikazu Mochizuki**, Osaka (JP); **Aiko Wakamatsu**, Osaka (JP)

(73) Assignee: **Hakko Corporation**, Osaka (JP)

(\*\*) Term: **14 Years**

(21) Appl. No.: **29/401,361**

(22) Filed: **Sep. 11, 2011**

(30) **Foreign Application Priority Data**

Mar. 10, 2011 (JP) ..... D2011-005462

(51) **LOC (9) Cl.** ..... **08-05**

(52) **U.S. Cl.** ..... **D8/29.1**

(58) **Field of Classification Search** ..... D8/14,  
D8/29.1-29.2, 30, 107; 219/222, 225, 227,  
219/229, 238; D28/12-13, 18, 35; 392/383-385  
See application file for complete search history.

(56) **References Cited**

**U.S. PATENT DOCUMENTS**

D90,248	S	*	7/1933	Hasbrouck	.....	D8/30
D90,249	S	*	7/1933	Hasbrouck	.....	D8/30
D205,199	S	*	7/1966	Henes et al.	.....	D8/30
D215,197	S	*	9/1969	Fortune	.....	D8/30
3,934,114	A	*	1/1976	Godel et al.	.....	219/222
4,085,309	A	*	4/1978	Godel et al.	.....	392/384
4,122,329	A	*	10/1978	Godel	.....	392/384
D273,933	S	*	5/1984	Royston	.....	D8/30
D304,151	S	*	10/1989	Chapin et al.	.....	D8/30
D307,958	S	*	5/1990	Fortune	.....	D32/17
D335,804	S	*	5/1993	Burgin	.....	D8/30
D348,593	S	*	7/1994	Fortune	.....	D8/30
D426,451	S	*	6/2000	Rosenbaum	.....	D8/107

D436,507	S	*	1/2001	Cheng	.....	D8/29.1
D456,681	S	*	5/2002	Cheng	.....	D8/29.1
D457,043	S	*	5/2002	Cheng	.....	D8/29.1
D458,524	S	*	6/2002	Cheng	.....	D8/29.1
D458,818	S	*	6/2002	Cheng	.....	D8/29.1
D475,590	S	*	6/2003	Huang	.....	D8/29.1
7,679,032	B2	*	3/2010	Masaki	.....	219/229
D626,807	S	*	11/2010	Louet-Feisser et al.	.....	D8/30
D626,808	S	*	11/2010	Louet-Feisser	.....	D8/30
D644,377	S	*	8/2011	Garner	.....	D28/35

**OTHER PUBLICATIONS**

Iroda MJ 950 Butane Heat Gun. Downloaded at <http://www.encorestore.com/servlet/the-285/Iroda-MJ-dsh-950-butane-flameless/Detail> on Feb. 12, 2012.\*

\* cited by examiner

*Primary Examiner* — Philip S Hyder

*Assistant Examiner* — Roselynn Cody

(74) *Attorney, Agent, or Firm* — Squire Sanders (US) LLP

(57) **CLAIM**

The ornamental design for a grip for hot air blowing tool for melting solder, as shown and described.

**DESCRIPTION**

FIG. 1 is a perspective view of a grip for hot air blowing tool for melting solder;

FIG. 2 is a front view thereof;

FIG. 3 is a rear view thereof;

FIG. 4 is a left side view thereof;

FIG. 5 is a right side view thereof;

FIG. 6 is a top view thereof; and,

FIG. 7 is a bottom view thereof.

The portion shown by broken lines is for illustrative purposes only and forms no part of the claimed design.

**1 Claim, 4 Drawing Sheets**

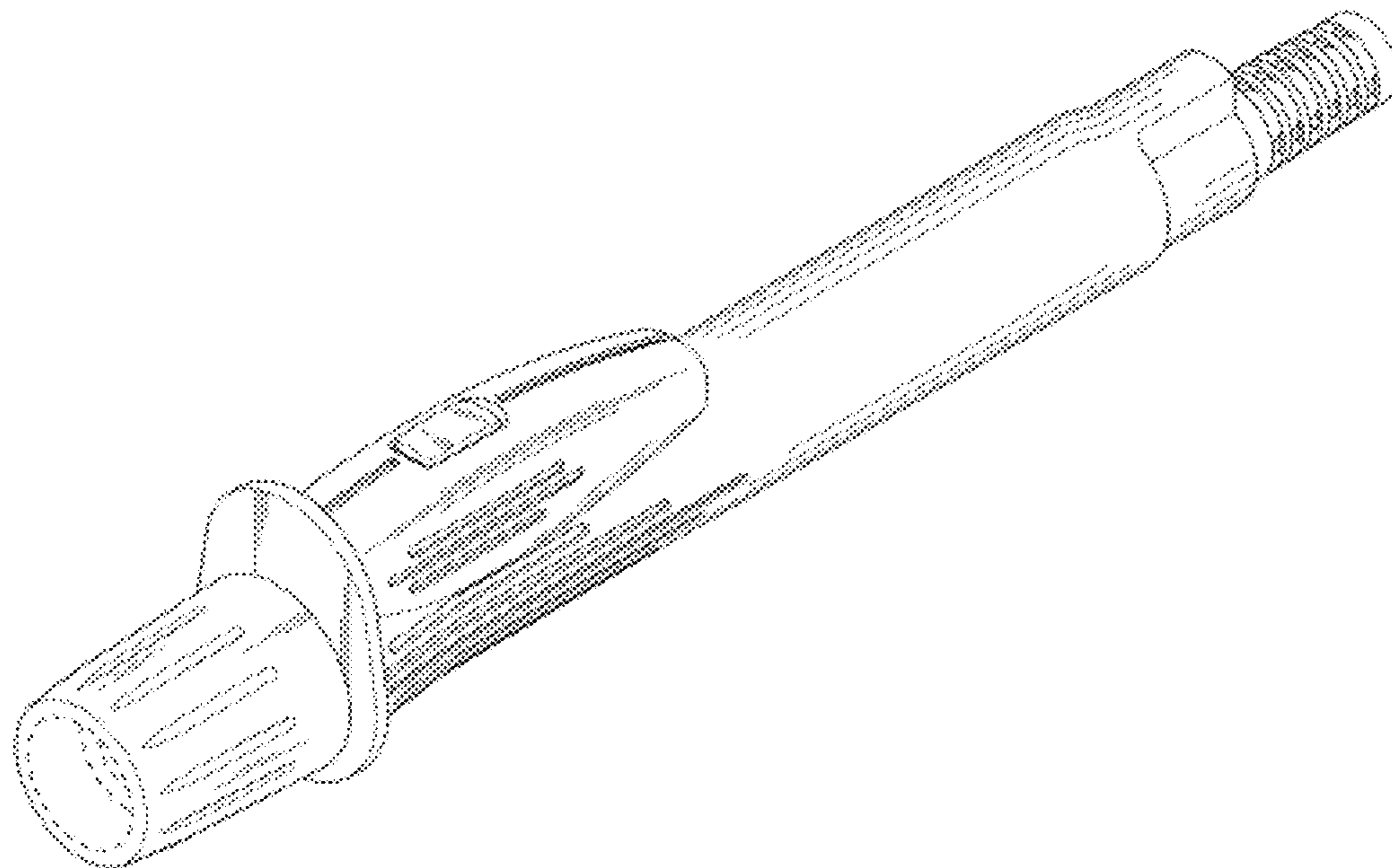
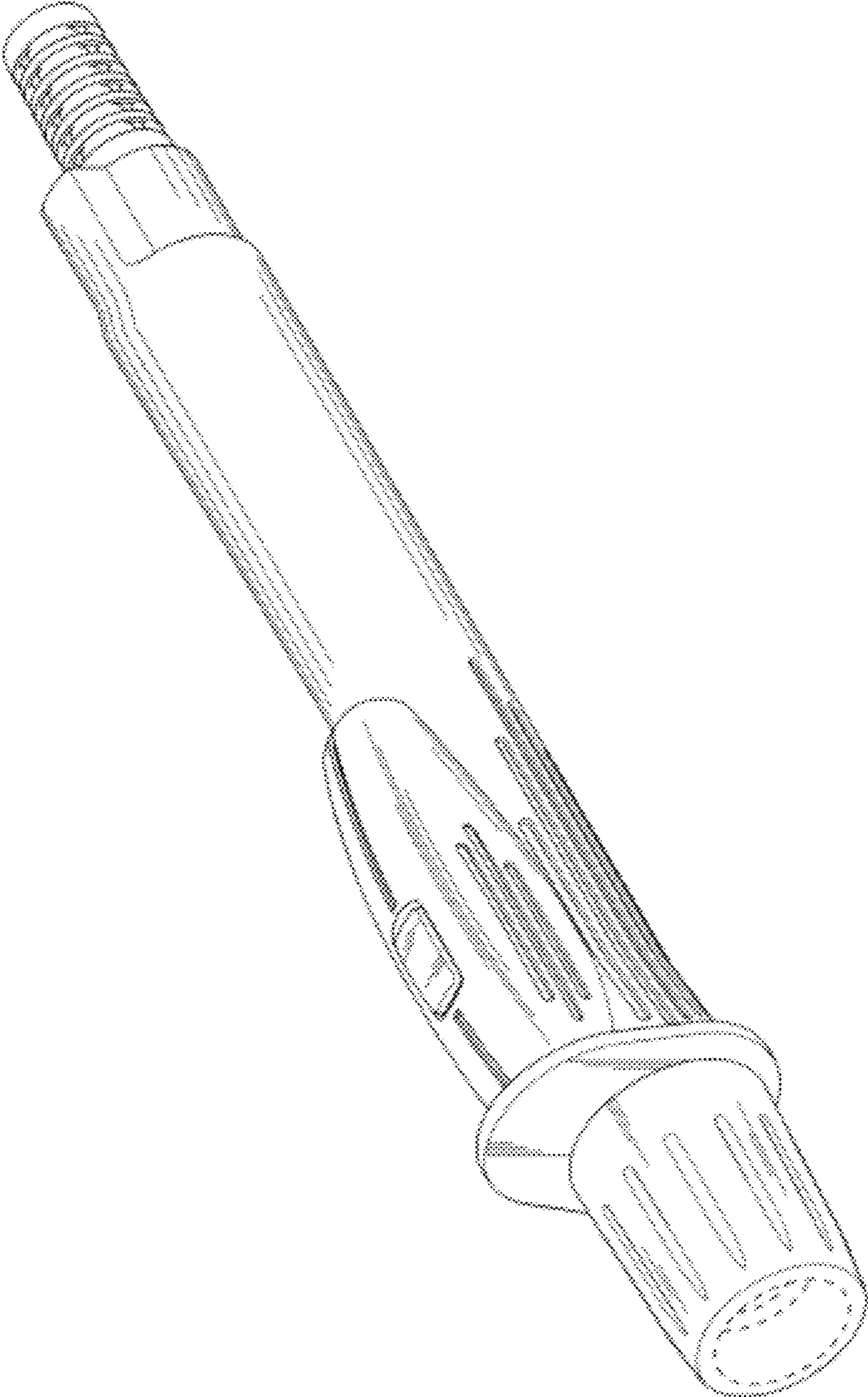


FIG. 1



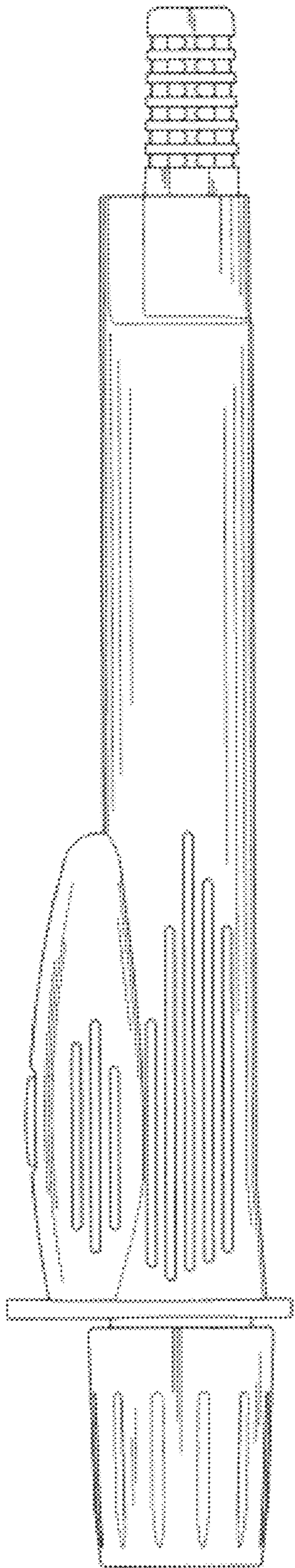


FIG. 2

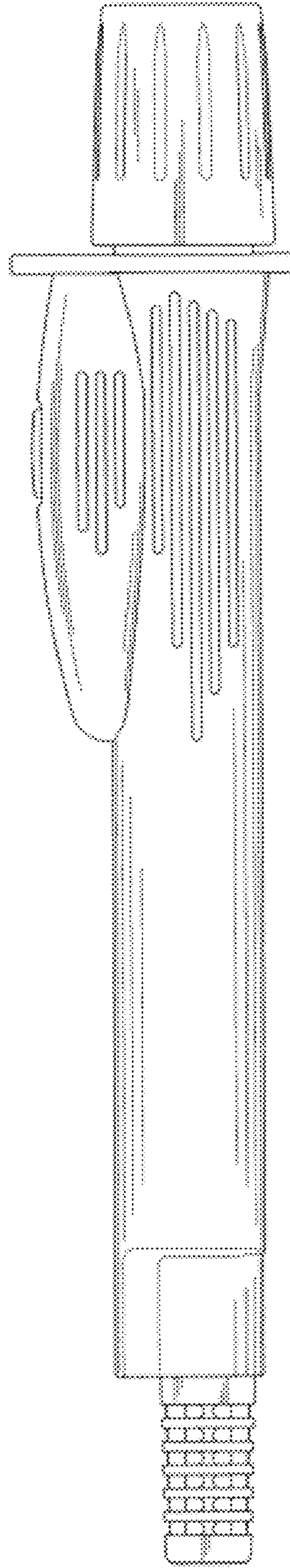


FIG. 3

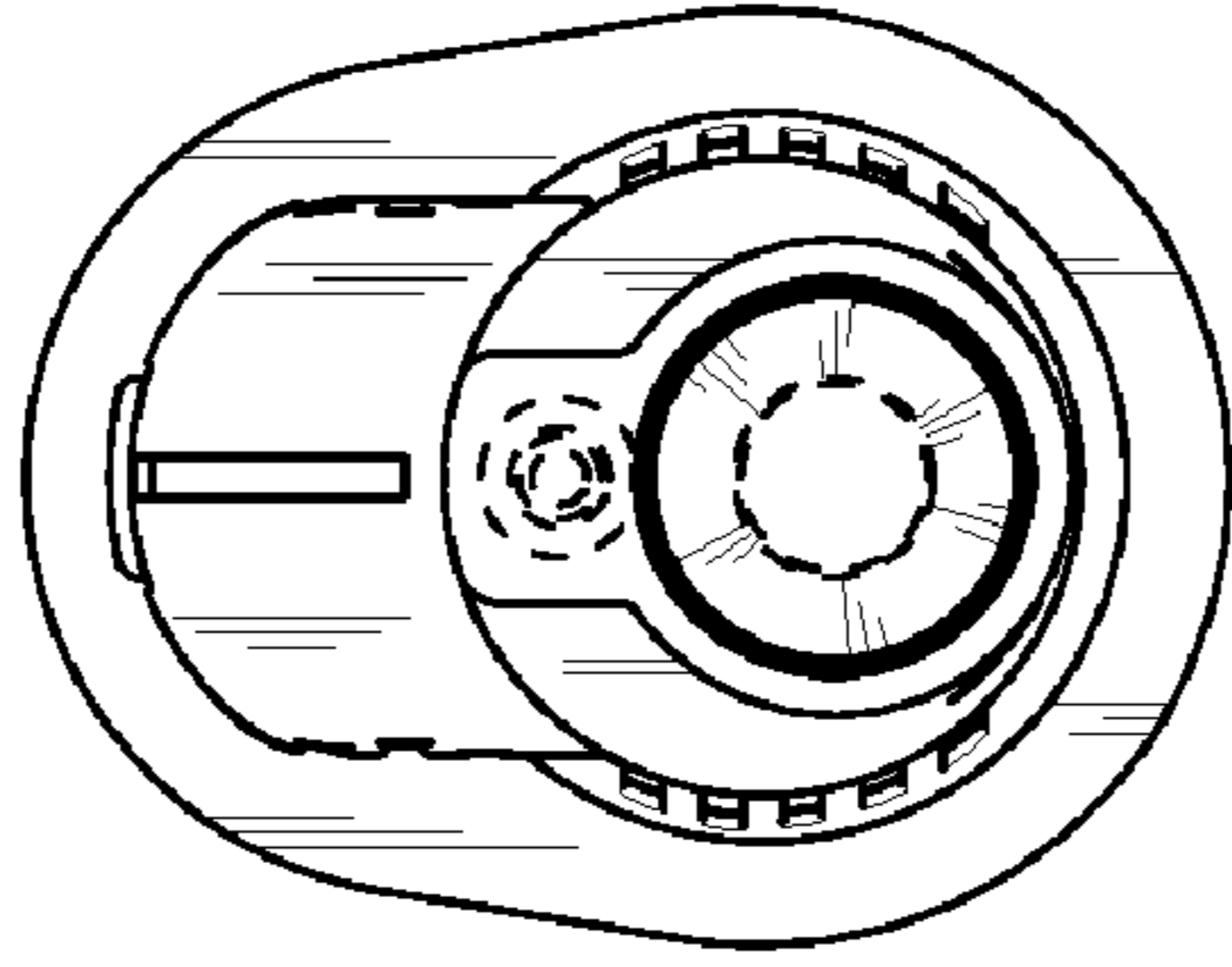


FIG.4

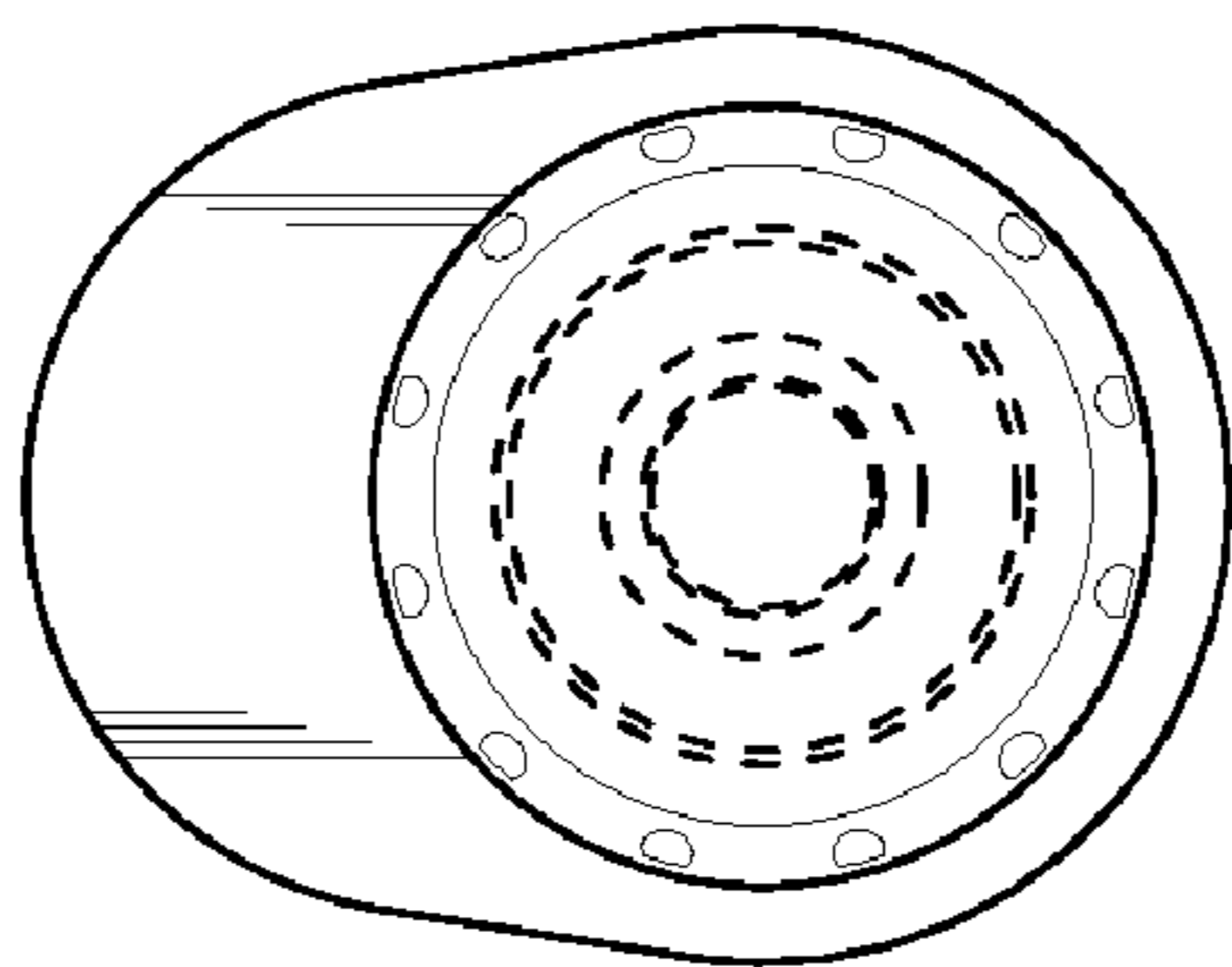


FIG.5

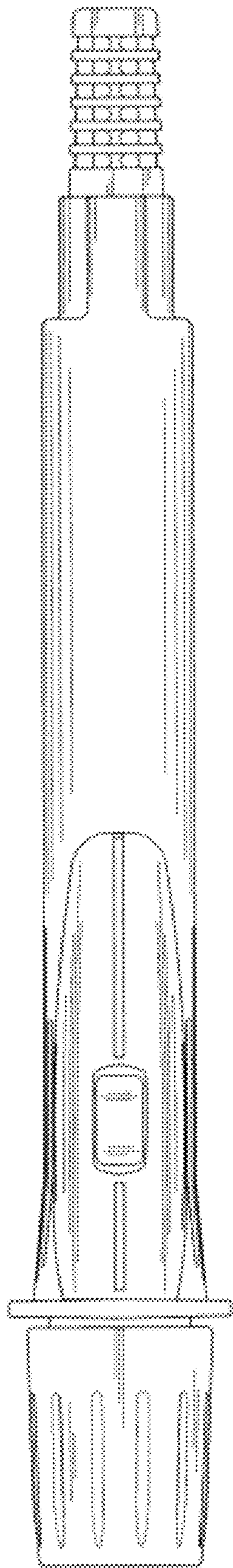


FIG. 6

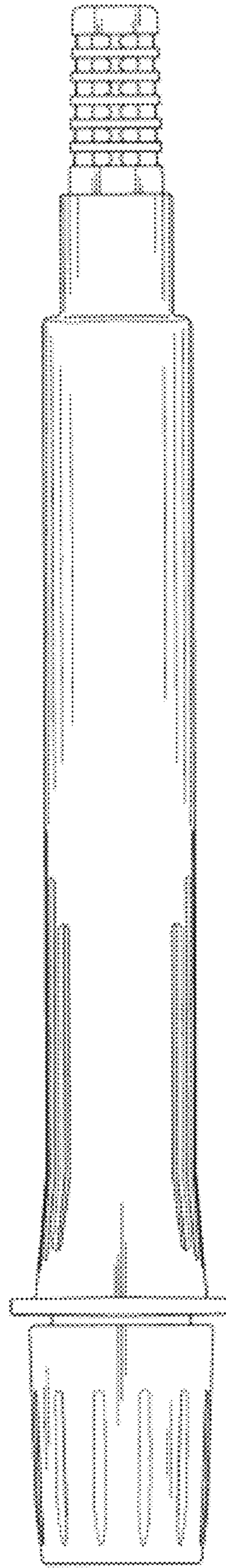


FIG. 7