



US00D659495S

(12) **United States Design Patent**
Taylor, Jr.

(10) **Patent No.:** **US D659,495 S**
(45) **Date of Patent:** **** May 15, 2012**

- (54) **SOCKET INSERT**
- (76) Inventor: **James W. Taylor, Jr.**, Medford, OR (US)
- (**) Term: **14 Years**
- (21) Appl. No.: **29/404,469**
- (22) Filed: **Oct. 20, 2011**
- (51) **LOC (9) Cl.** **08-05**
- (52) **U.S. Cl.** **D8/29**
- (58) **Field of Classification Search** D8/17,
D8/21-29, 354, 107; 81/60, 177.1, 177.85,
81/121.1, 124.3, 165-170, 110.1, 176.2,
81/124.6, 176.1, 176.15, 177.2, 186; 16/110.1;
D15/144.1, 143; 219/75, 227, 229, 121.16,
219/121.18

See application file for complete search history.

(56) **References Cited**

U.S. PATENT DOCUMENTS

2,322,856	A	6/1943	Loyd
3,027,790	A	4/1962	Wagner
3,029,673	A	4/1962	Godsey
3,661,041	A	5/1972	Weiz
3,875,829	A	4/1975	Evans et al.
3,876,829	A	4/1975	Schreiber
3,916,736	A	11/1975	Clemens
4,259,883	A	4/1981	Carlson
5,568,757	A	10/1996	Lewis
D376,159	S	12/1996	Waskiewicz
5,636,557	A	6/1997	Ma
D526,172	S	8/2006	Lin
D550,049	S	9/2007	Peng

D581,755	S	12/2008	Hu
D585,255	S	1/2009	Hu
D599,634	S	9/2009	Taylor
D611,789	S	3/2010	Taylor
2003/0110903	A1	6/2003	Creek
2004/0089106	A1	5/2004	Wolfe et al.
2010/0275738	A1	11/2010	Taylor

Primary Examiner — Raphael Barkai
Assistant Examiner — Randall Gholson
(74) *Attorney, Agent, or Firm* — Jerry Haynes Law

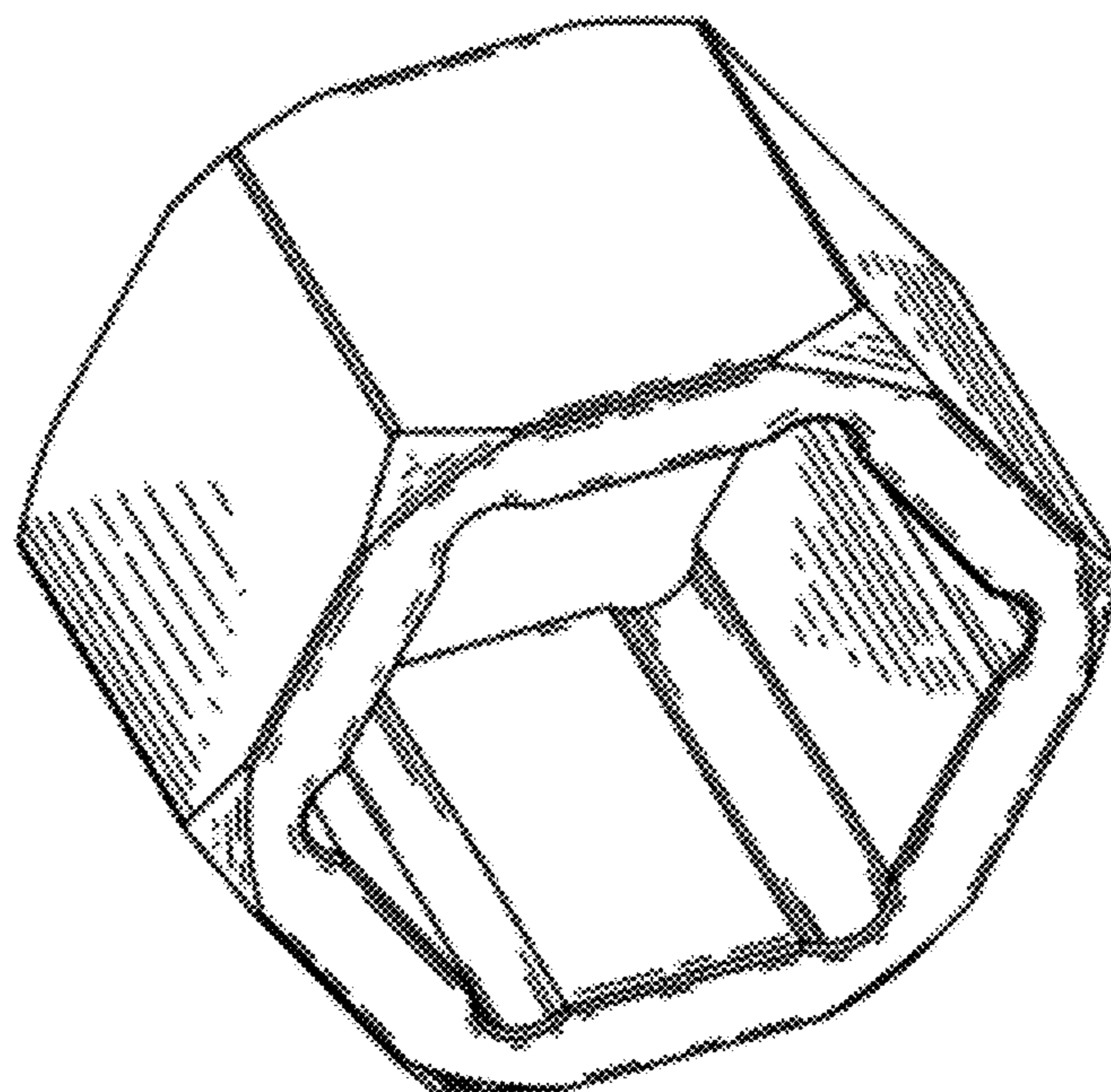
(57) **CLAIM**

The ornamental design for a socket insert, as shown and described.

DESCRIPTION

FIG. 1 is a front perspective view of a socket insert showing my new design;
FIG. 2 is a top view thereof, the bottom view being a mirror image thereof;
FIG. 3 is a right side view thereof;
FIG. 4 is a left side view thereof;
FIG. 5 is a perspective view showing the socket insert in the environment in which it is to be used; and,
FIG. 6 is an alternative perspective view showing the socket insert in the environment in which it is to be used.
The broken lines showing environment is included for the purpose of illustrating the socket insert in use and forms no part of the claimed design.

1 Claim, 3 Drawing Sheets



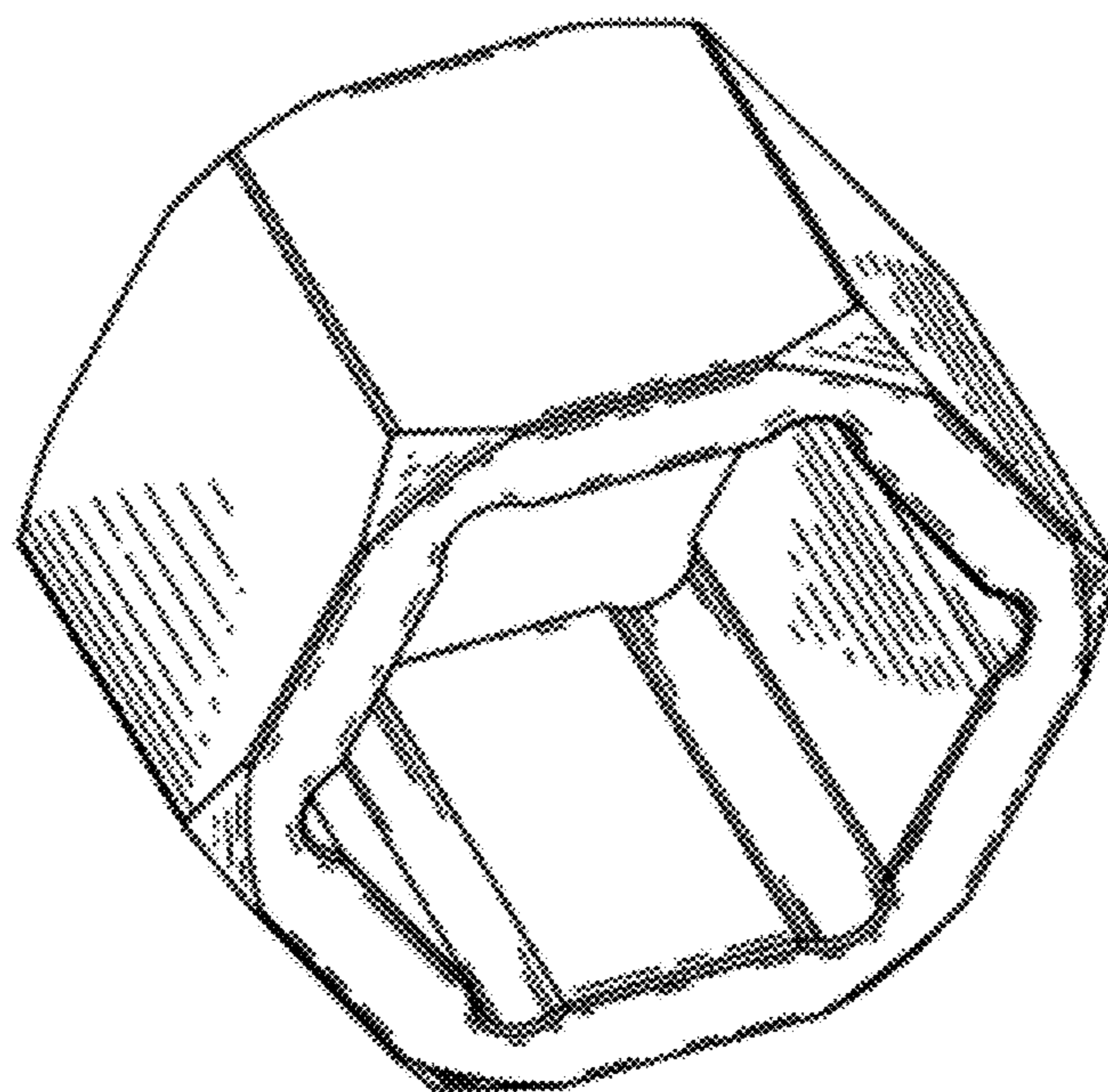


FIG. 1

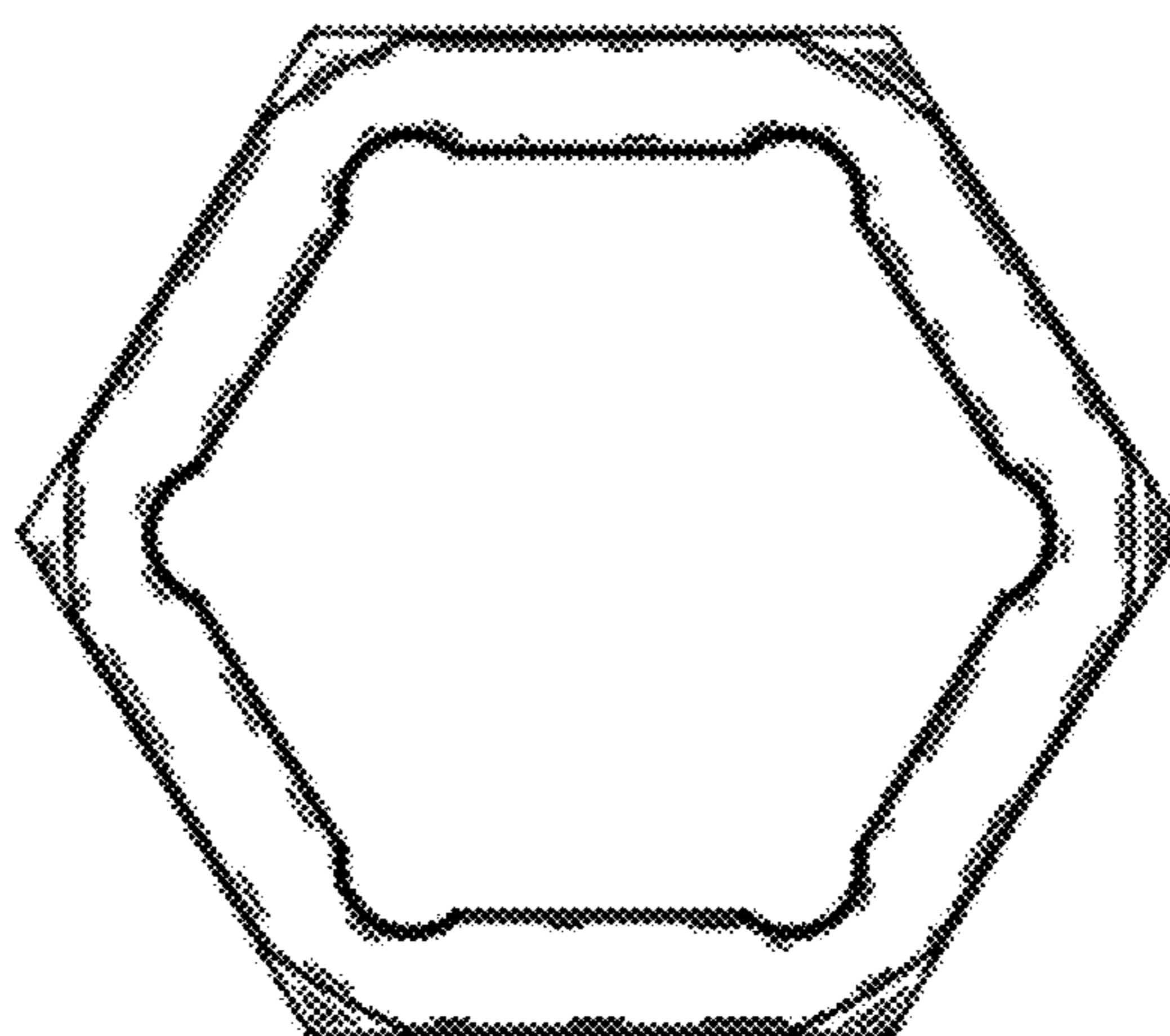


FIG. 2

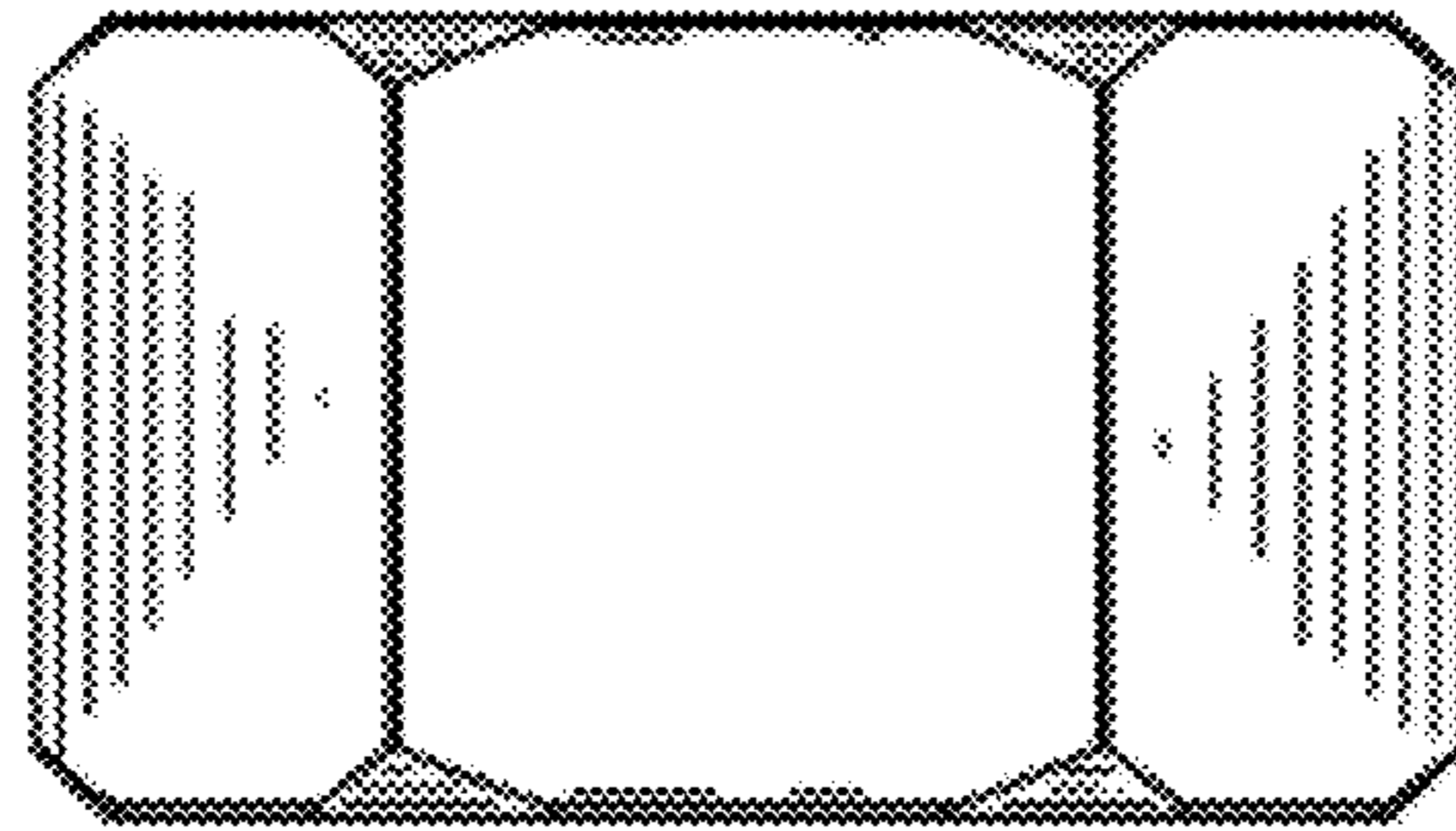


FIG. 3

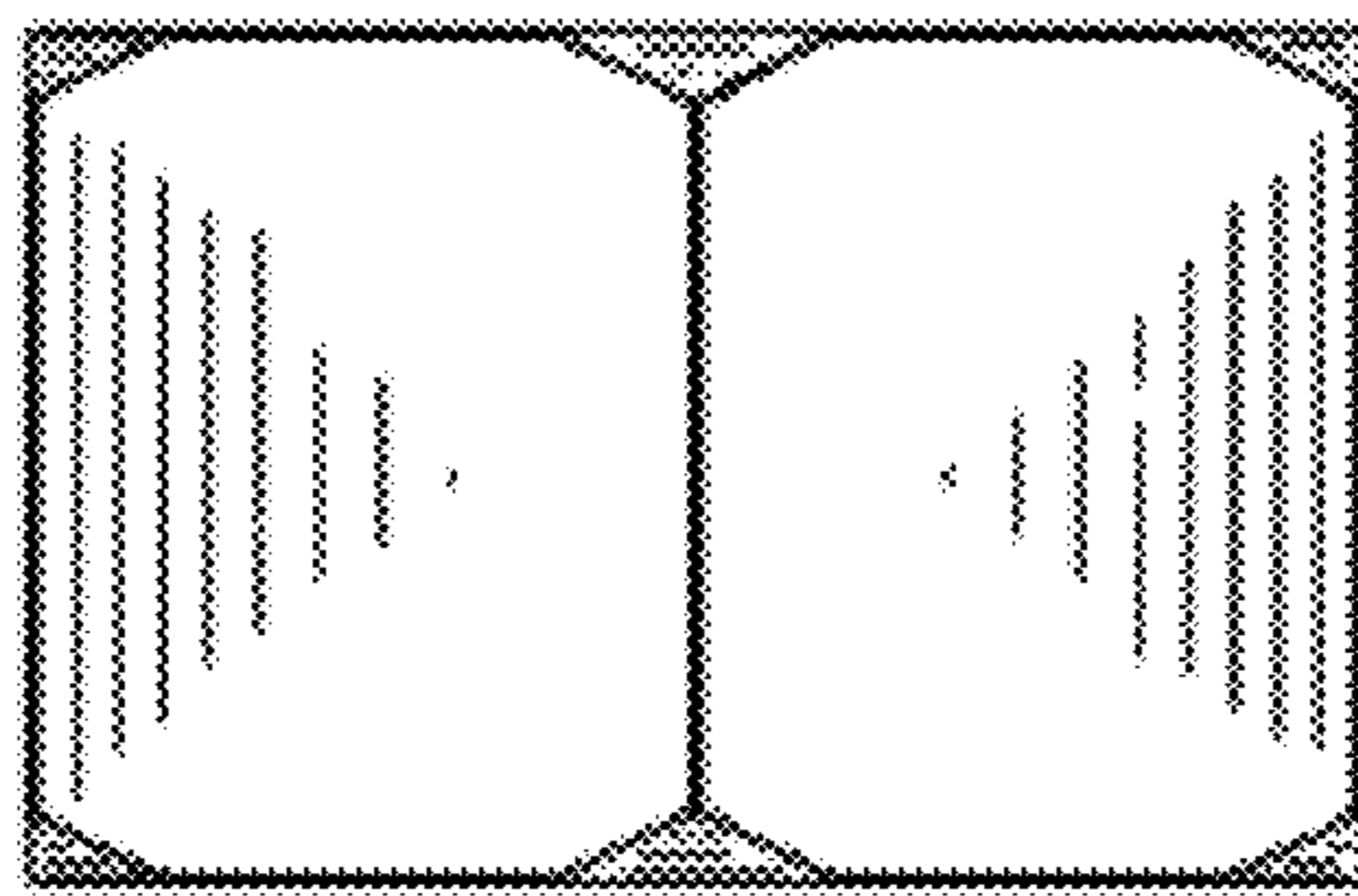


FIG. 4

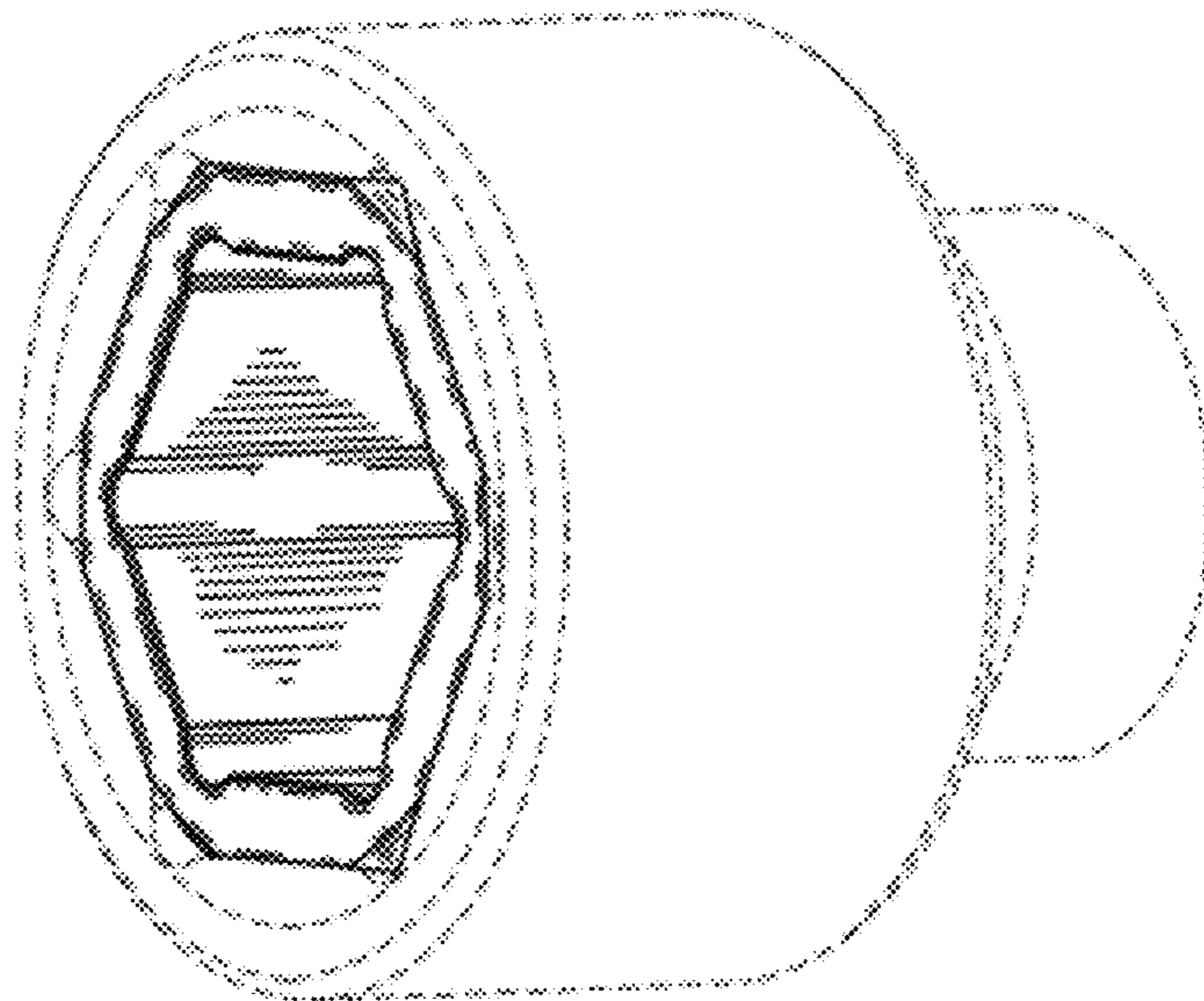


FIG. 5

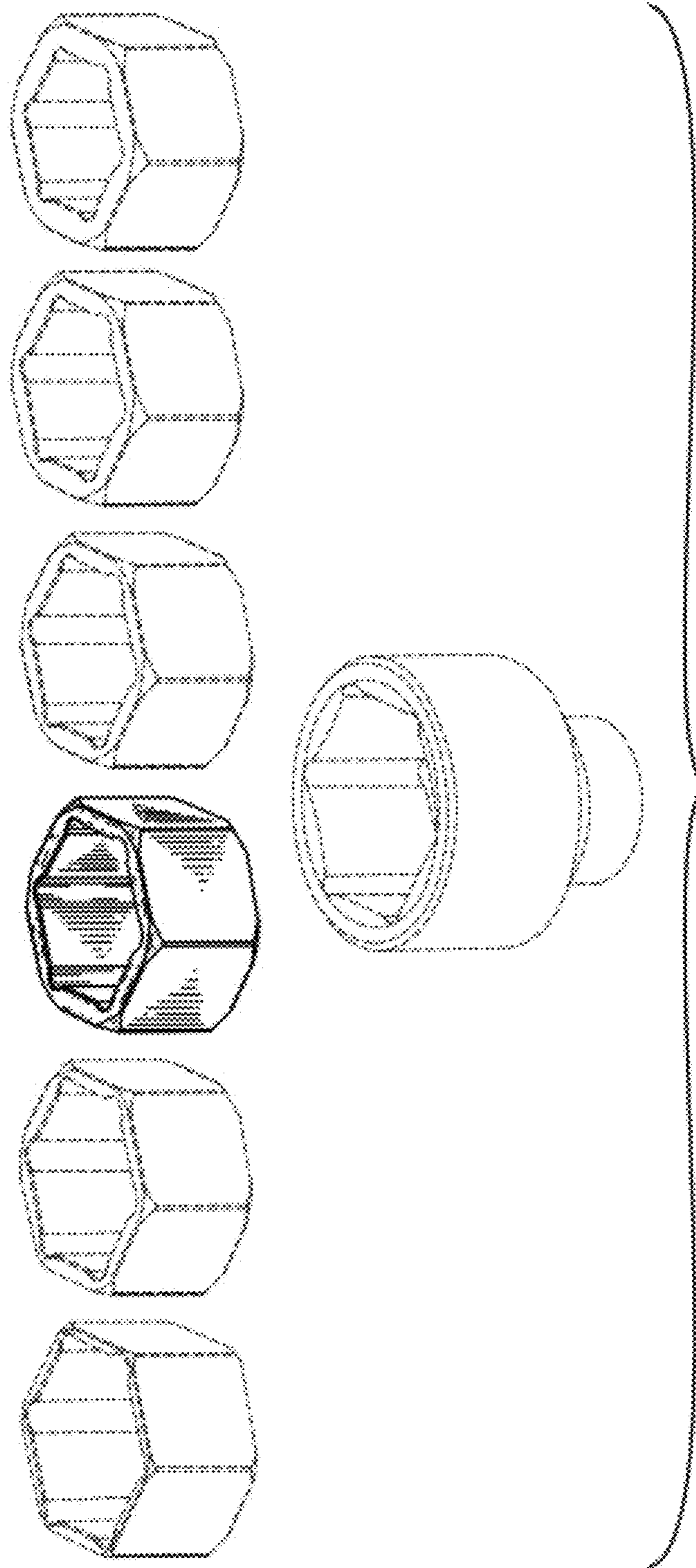


FIG. 6