



US00D659492S

(12) **United States Design Patent**
Sabodish et al.

(10) **Patent No.:** **US D659,492 S**

(45) **Date of Patent:** **** May 15, 2012**

(54) **CAULKING DEVICE**

(76) Inventors: **Kenneth R. Sabodish**, Tarentum, PA
(US); **Karen S. Sabodish**, Tarentum, PA
(US)

(**) Term: **14 Years**

(21) Appl. No.: **29/373,388**

(22) Filed: **Apr. 4, 2011**

(51) **LOC (9) Cl.** **08-05**

(52) **U.S. Cl.** **D8/14.1**

(58) **Field of Classification Search** D8/14.1;
222/92, 105, 145.1, 160, 324-327, 386, 391,
222/525, 566-569, 572, 575, 333, 390; 74/141.5
See application file for complete search history.

(56) **References Cited**

U.S. PATENT DOCUMENTS

3,985,273	A	10/1976	Davis, Jr.
3,997,084	A	12/1976	Davis, Jr.
4,198,872	A	4/1980	Metz
4,669,636	A	6/1987	Miyata
4,986,454	A	1/1991	Riley
5,450,988	A	9/1995	Jerdee
5,762,239	A	6/1998	Cossette
6,540,113	B2	4/2003	Gardos

D548,551 S * 8/2007 Lopano et al. D8/14.1
* cited by examiner

Primary Examiner — Antoine D Davis
(74) *Attorney, Agent, or Firm* — Paul R. Martin

(57) **CLAIM**

The ornamental design for a caulking device, as shown and described.

DESCRIPTION

FIG. 1 is a perspective view from above of my new design for a caulking device.

FIG. 2 is a front elevational view of the caulking device shown in FIG. 1.

FIG. 3 is a right side elevational view of the caulking device shown in FIG. 1.

FIG. 4 is a left side elevational view of the caulking device shown in FIG. 1.

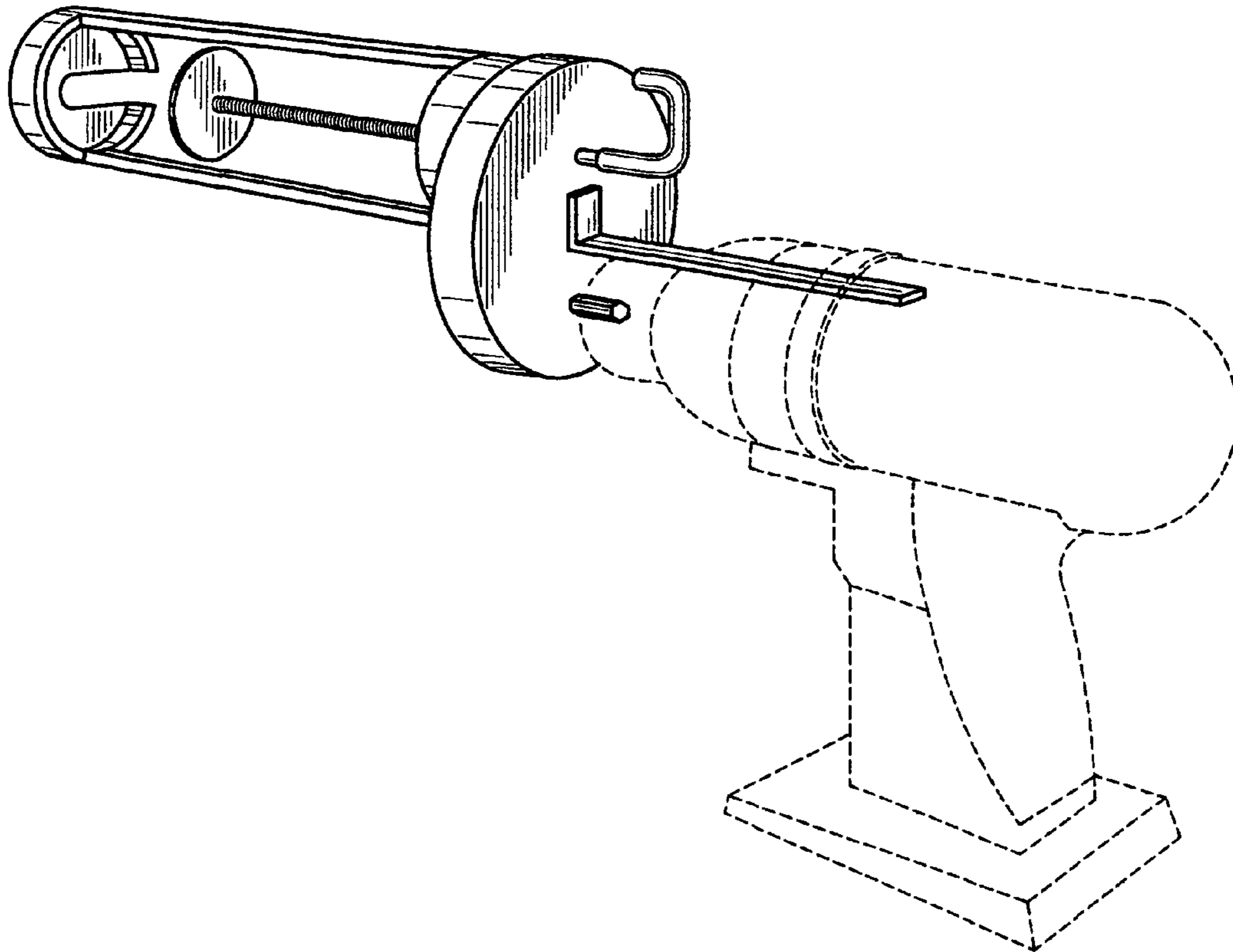
FIG. 5 is a rear elevational view of the caulking device shown in FIG. 1.

FIG. 6 is a top plan view of the caulking device shown in FIG. 1; and,

FIG. 7 is a bottom plan view of the caulking device shown in FIG. 1.

The broken line elements depicting a drill in FIG. 1 are environmental, and form no part of the invention.

1 Claim, 3 Drawing Sheets



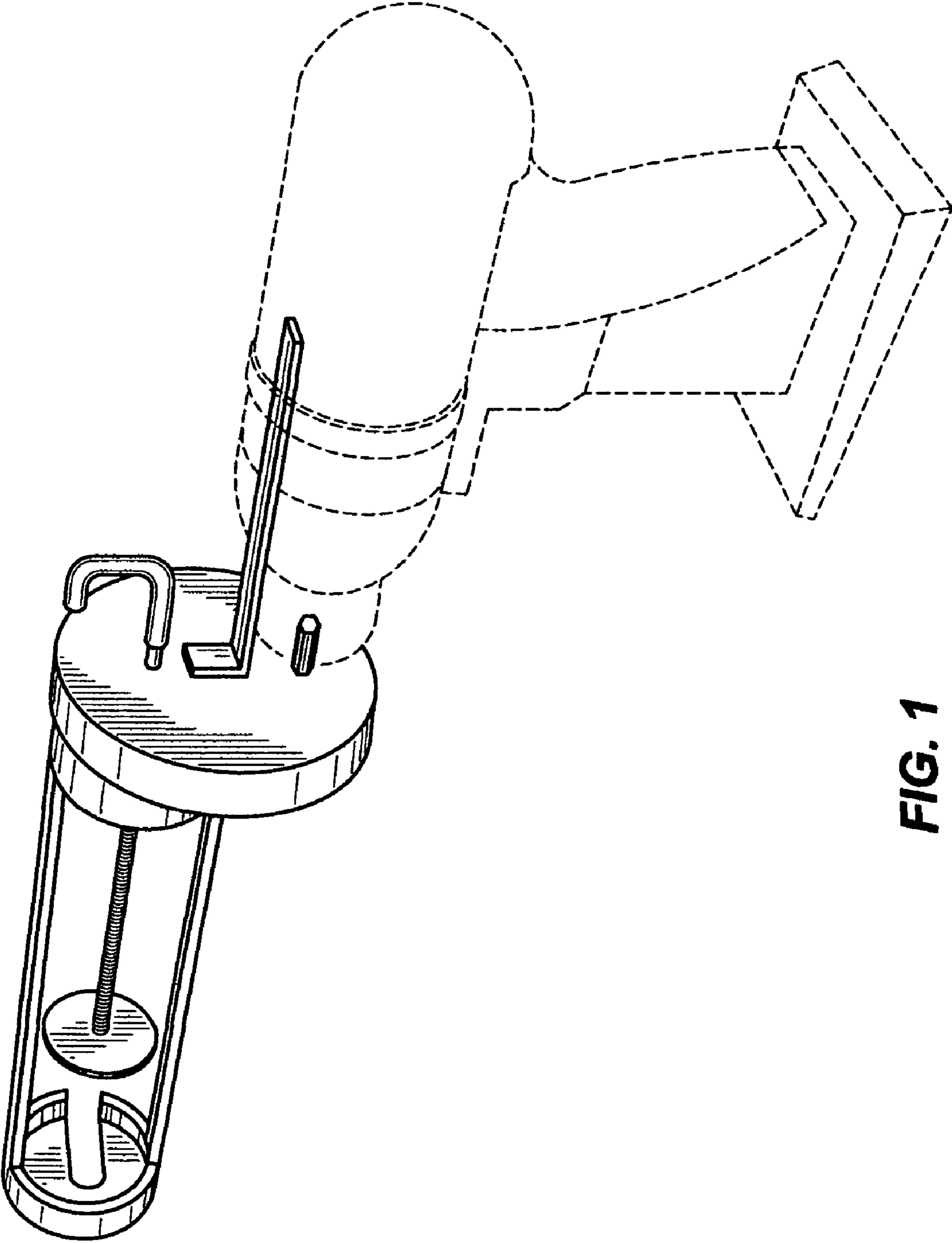


FIG. 1

