



US00D659491S

(12) **United States Design Patent**
Hausch

(10) **Patent No.:** **US D659,491 S**

(45) **Date of Patent:** **** May 15, 2012**

(54) **PLANT WATER DISPENSER**

(76) Inventor: **Joseph J. Hausch**, Waukesha, WI (US)

(**) Term: **14 Years**

(21) Appl. No.: **29/386,454**

(22) Filed: **Mar. 1, 2011**

(51) **LOC (9) Cl.** **08-01**

(52) **U.S. Cl.** **D8/1**

(58) **Field of Classification Search** D8/1; 47/48.5,
47/40.5, 79; 248/156, 27.8; D9/439
See application file for complete search history.

(56) **References Cited**

U.S. PATENT DOCUMENTS

| | | | | | | |
|-----------|---|---|---------|------------------|-------|---------|
| D158,596 | S | * | 5/1950 | Lack | | D8/1 |
| 2,837,869 | A | * | 6/1958 | Chatten | | 47/48.5 |
| D360,955 | S | * | 8/1995 | Sandstrom et al. | | D25/131 |
| 5,896,700 | A | * | 4/1999 | McGough | | 47/48.5 |
| D417,596 | S | * | 12/1999 | Crowder | | D8/1 |
| D427,028 | S | * | 6/2000 | Zinger et al. | | D8/1 |

| | | | | | | |
|-----------|---|---|---------|---------|-------|---------|
| 6,112,456 | A | * | 9/2000 | Rummins | | 47/48.5 |
| D448,632 | S | * | 10/2001 | D'eath | | D8/1 |
| D450,549 | S | * | 11/2001 | Burt | | D8/1 |

* cited by examiner

Primary Examiner — Sheryl Lane

(74) *Attorney, Agent, or Firm* — Andrus, Scales, Starke & Sawall, LLP

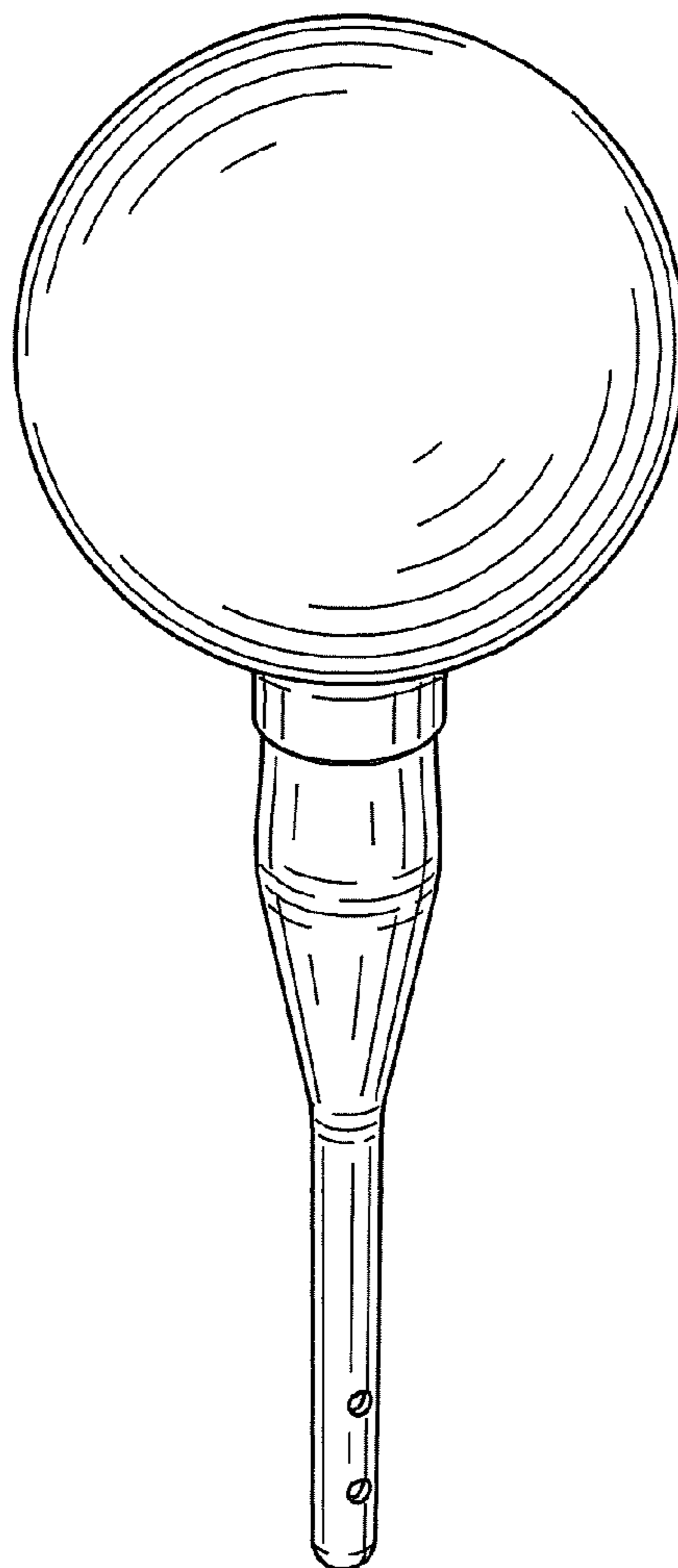
(57) **CLAIM**

The ornamental design for a plant water dispenser, as shown and described.

DESCRIPTION

FIG. 1 is a perspective of a plant water dispenser of the new ornamental design;
FIG. 2 is a front view of the plant water dispenser;
FIG. 3 is a side view of the plant water dispenser;
FIG. 4 is a top view of the plant water dispenser;
FIG. 5 is a bottom view of the plant water dispenser; and,
FIG. 6 is an exploded perspective view of the plant water dispenser. This figure is shown exploded for ease of illustration.

1 Claim, 3 Drawing Sheets



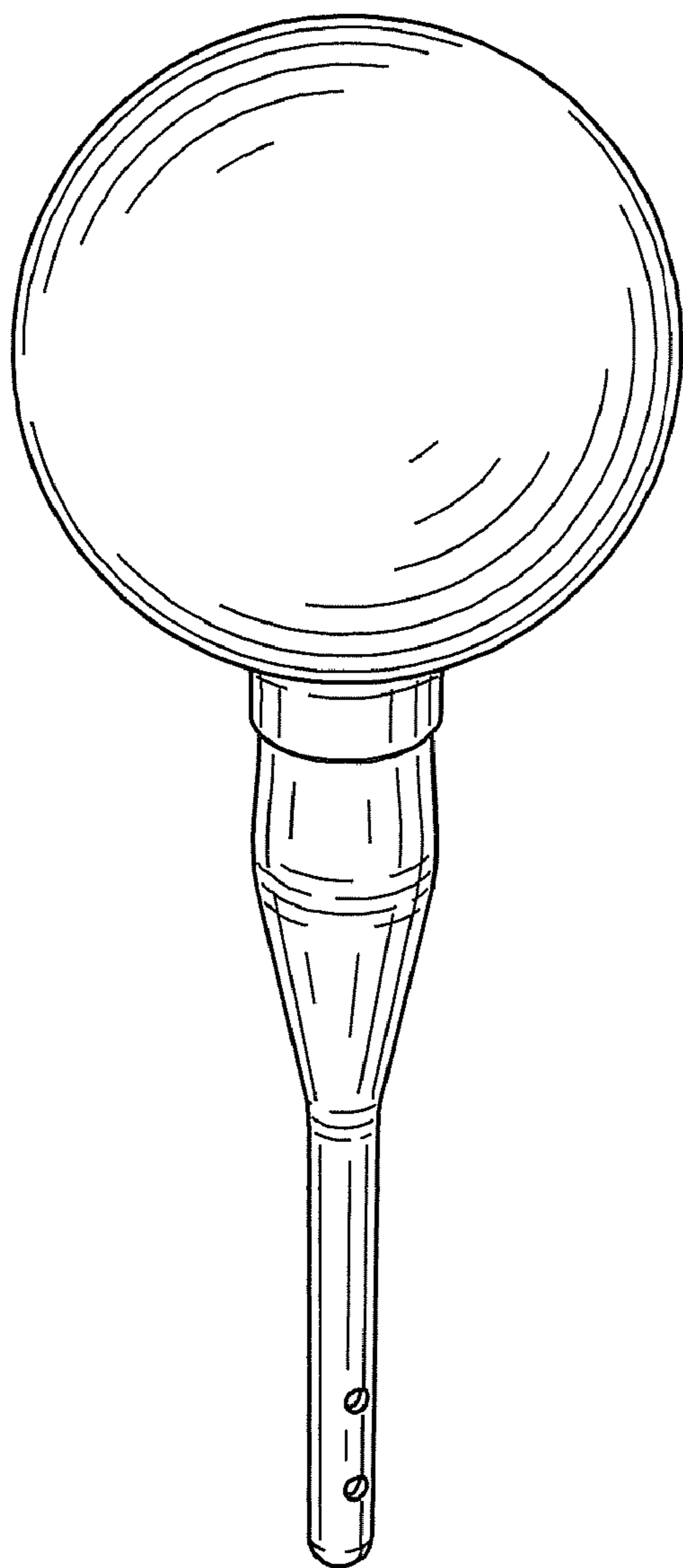


FIG. 1

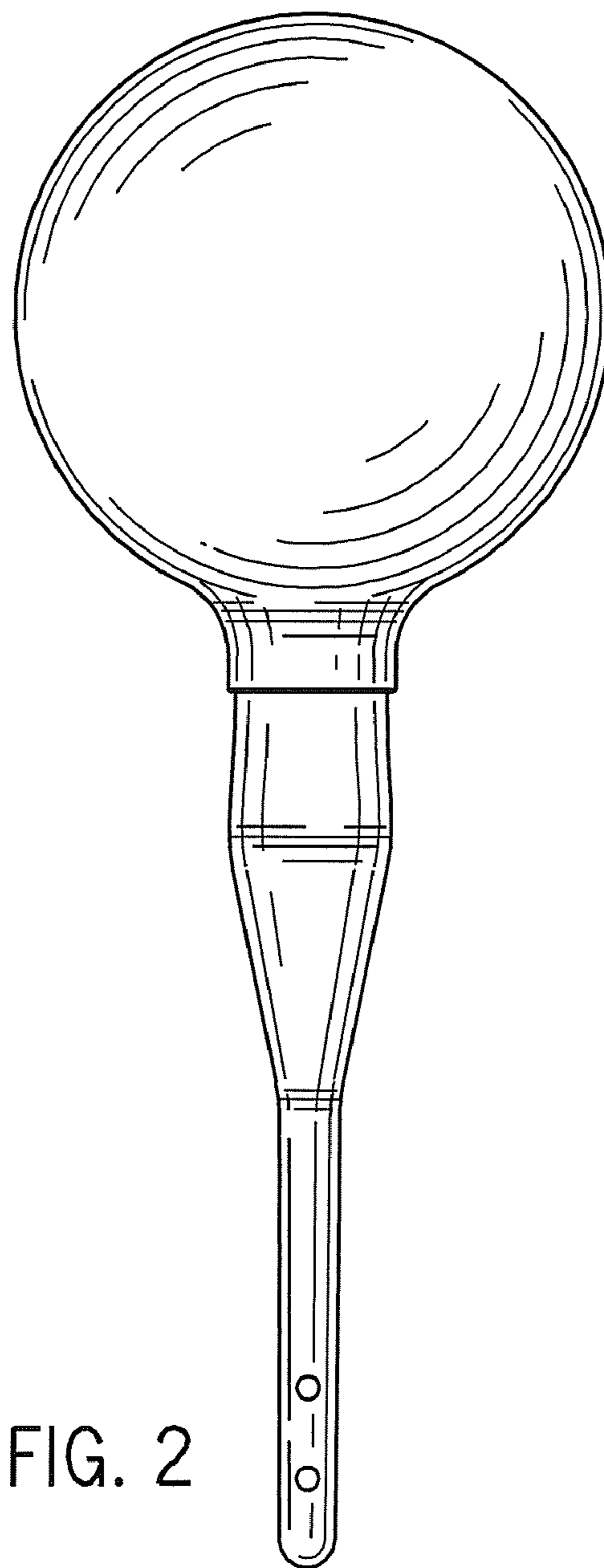


FIG. 2

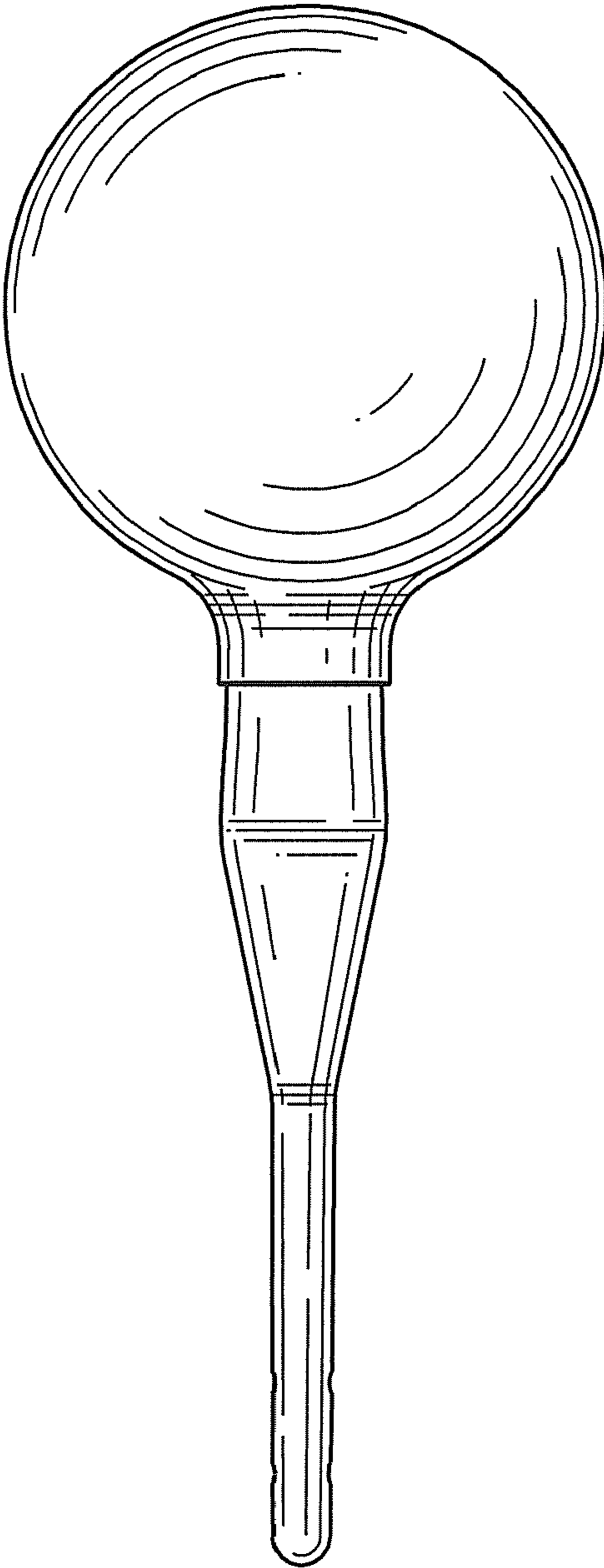


FIG. 3

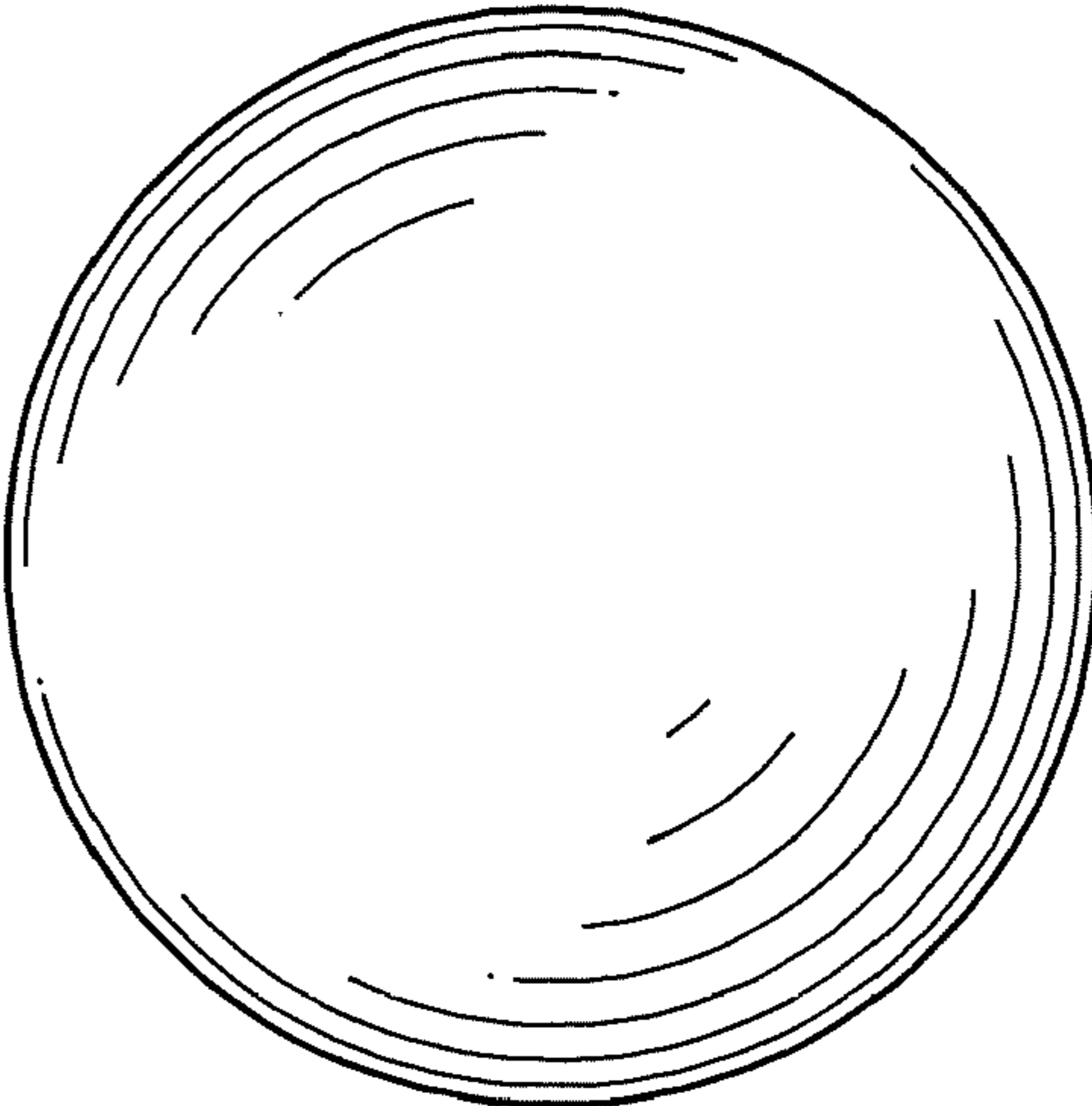


FIG. 4

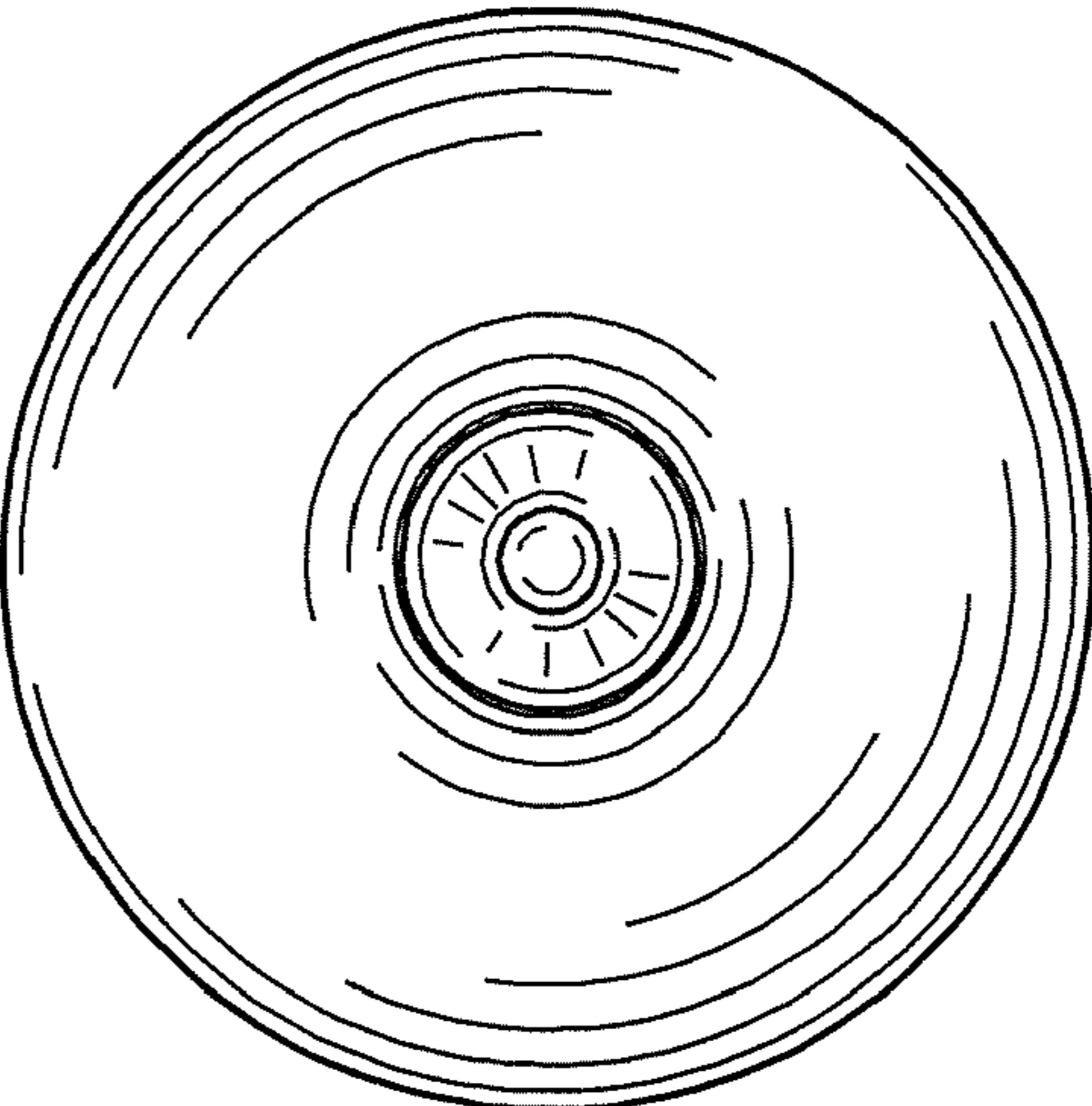


FIG. 5

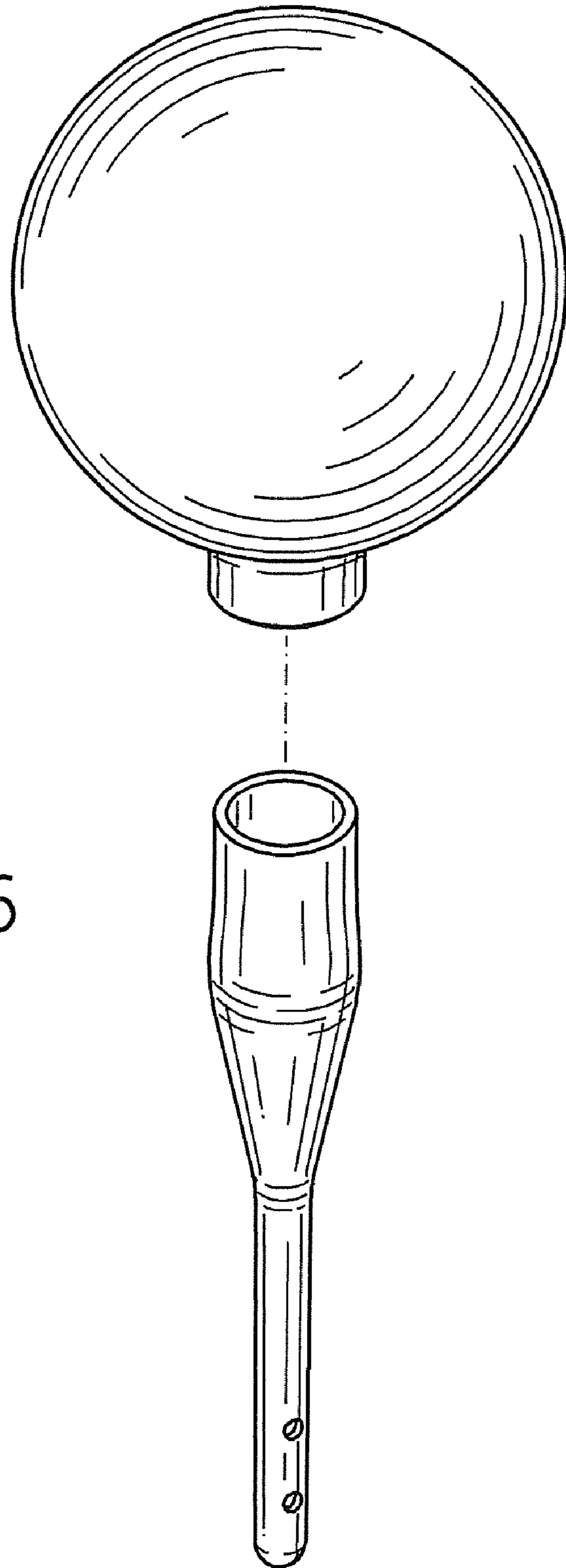


FIG. 6