



US00D659490S

(12) **United States Design Patent**  
**Saunders et al.**

(10) **Patent No.:** **US D659,490 S**  
(45) **Date of Patent:** **\*\* May 15, 2012**

(54) **CARVING STATION**

(75) Inventors: **Joseph J Saunders**, Sturgeon Bay, WI (US); **John Quella**, Sturgeon Bay, WI (US)

(73) Assignee: **Hatco Corporation**, Milwaukee, WI (US)

(\*\*) Term: **14 Years**

(21) Appl. No.: **29/403,602**

(22) Filed: **Oct. 7, 2011**  
(Under 37 CFR 1.47)

**Related U.S. Application Data**

(62) Division of application No. 29/315,687, filed on Jul. 15, 2009, now Pat. No. Des. 655,140.

(51) **LOC (9) Cl.** ..... **07-04**

(52) **U.S. Cl.** ..... **D7/698**

(58) **Field of Classification Search** ..... D6/399, D6/470, 481; D7/359-360, 368, 392.1, 369.1, D7/550.1, 552.1, 553.1, 554.3-554.4, 555, D7/586, 698-699; D11/145; D26/60-62, D26/107; 99/357, 449-450, 537; 119/266; 269/13-16, 289 R, 290, 302.1, 575; 362/432  
See application file for complete search history.

(56) **References Cited**

**U.S. PATENT DOCUMENTS**

2,900,045	A	8/1959	Conklin et al.	
D205,463	S	8/1966	Zelenko	
D215,162	S *	9/1969	Robichaud	D6/399
D217,063	S *	3/1970	Daito	D26/107
D291,426	S *	8/1987	Husbands	D11/145
4,692,850	A *	9/1987	LeDoux	362/432
D312,885	S *	12/1990	Louis	D26/60
5,100,115	A	3/1992	Schorn	
D348,367	S *	7/1994	Geisen et al.	D6/481
5,353,746	A *	10/1994	Del Rosario	119/266
5,386,978	A	2/1995	Ladwig	
D360,785	S *	8/1995	Mooslin	D6/481

5,477,702	A	12/1995	Kennedy et al.	
D377,429	S	1/1997	Olson	
D381,104	S *	7/1997	Linstone	D26/62
5,996,983	A	12/1999	Laurenzi	
6,206,445	B1	3/2001	Brooks	
D484,282	S	12/2003	Lockwood	
D541,079	S *	4/2007	Brown	D6/470
D555,986	S *	11/2007	Goldman	D7/698
2011/0133383	A1	6/2011	Roser	
2011/0168035	A1	7/2011	Saunders et al.	

**OTHER PUBLICATIONS**

Free Stander Warmers, Multiple models, 1 page, date unknown.  
Witco Food Service Equipment, Models CSD Series Carving Stations, 2 pages, date unknown.  
Royalton Food Service Equipment Company, Model RCS Series Heated Carving Station, 2 pages, date unknown.  
Alto Shaam manual, Hot Carving Shelf Electric, Models: 100-HSL/BCS-2, 100-HSL/BCS-2S, 19 pages, date unknown.  
Model Carving Station, 1 page, company and date unknown.

\* cited by examiner

*Primary Examiner* — Ricky Pham

(74) *Attorney, Agent, or Firm* — Ryan Kromholz & Manion, S.C.

(57) **CLAIM**

The ornamental design for a carving station, as shown and described.

**DESCRIPTION**

FIG. 1 is a perspective view of a carving station showing our new design.

FIG. 2 is a rear elevation view thereof;

FIG. 3 is a front elevation view thereof;

FIG. 4 is a top plan view thereof;

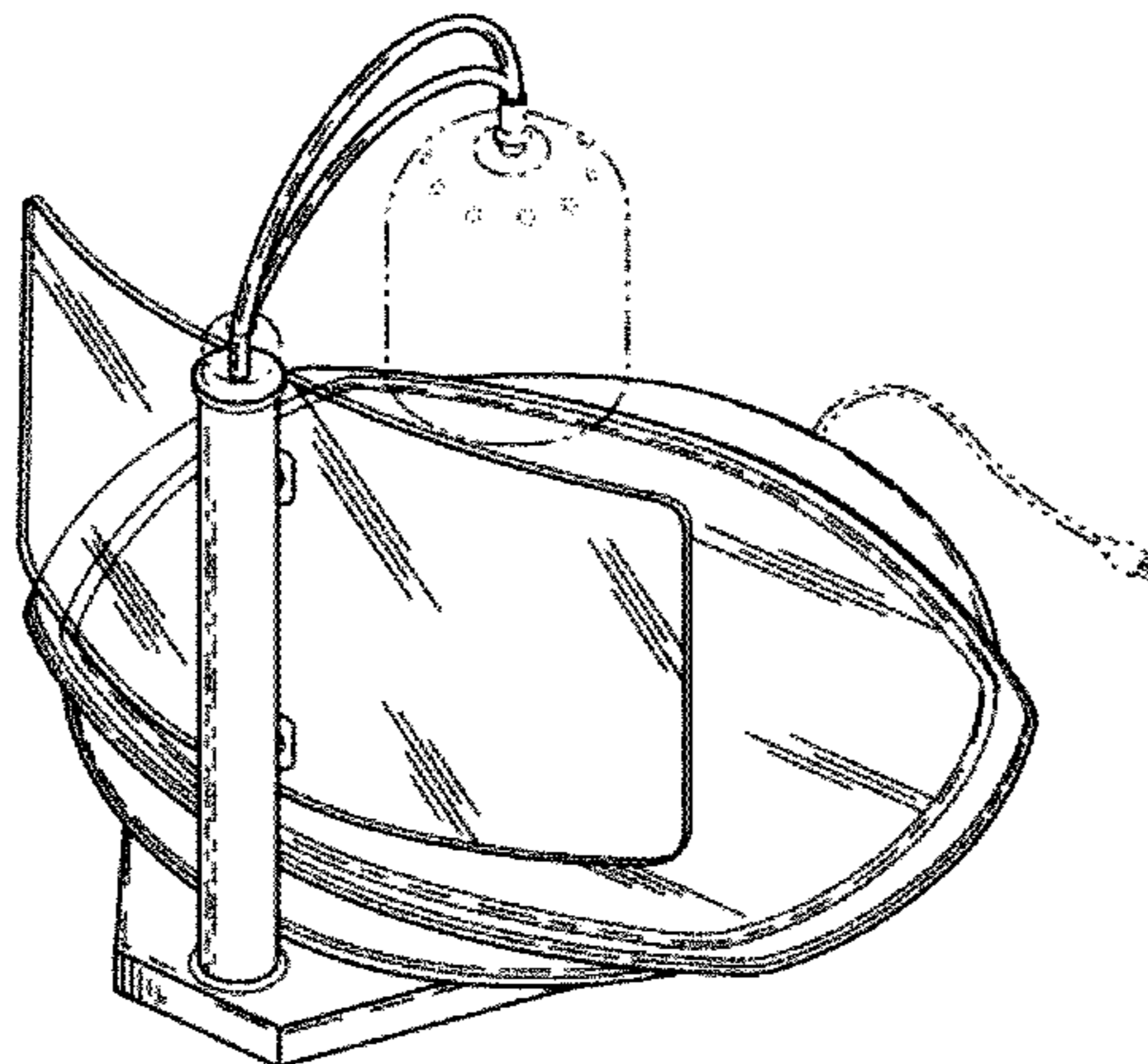
FIG. 5 is a bottom plan view thereof;

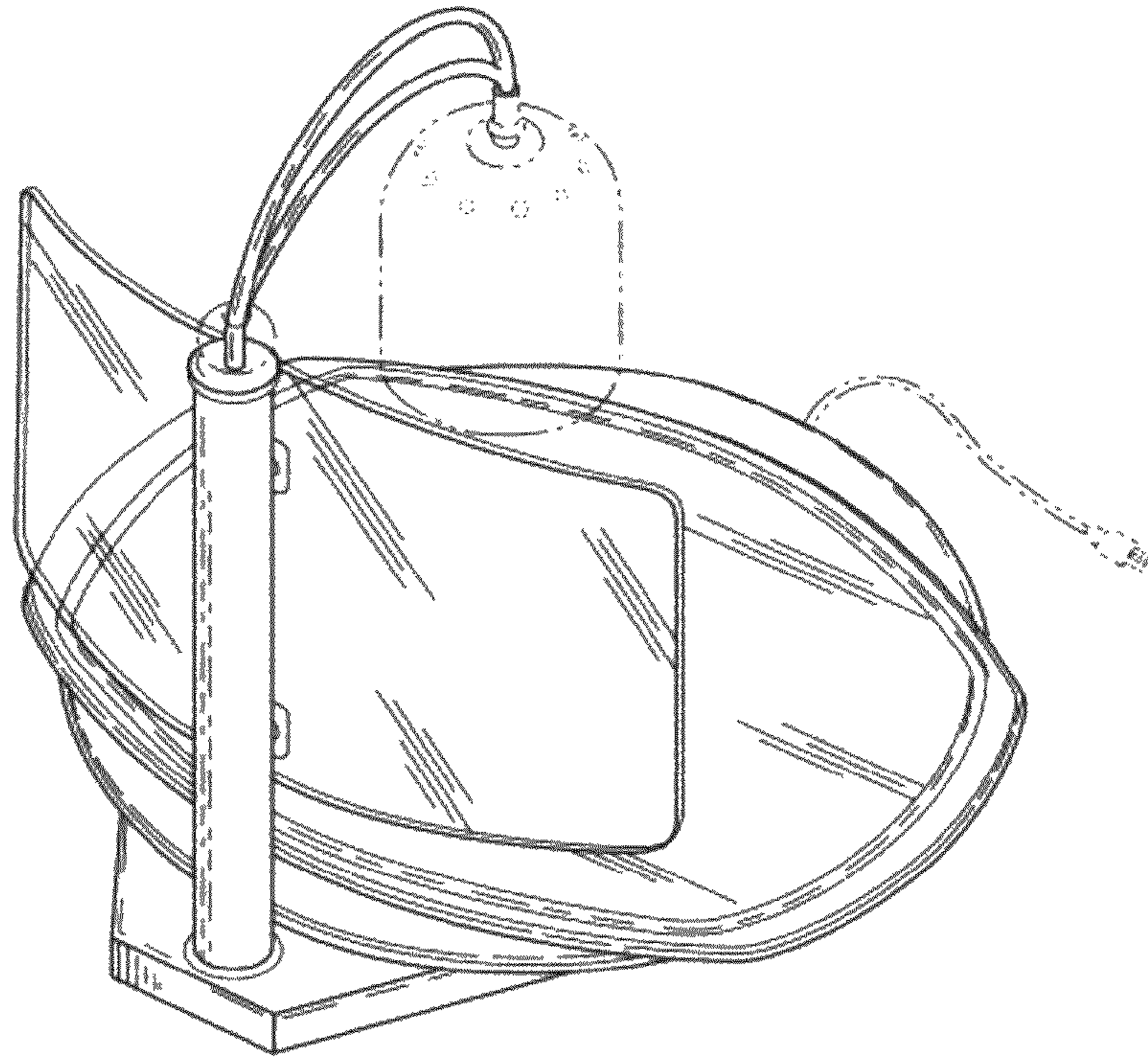
FIG. 6 is a right side elevation view thereof; and,

FIG. 7 is a left side elevation view thereof.

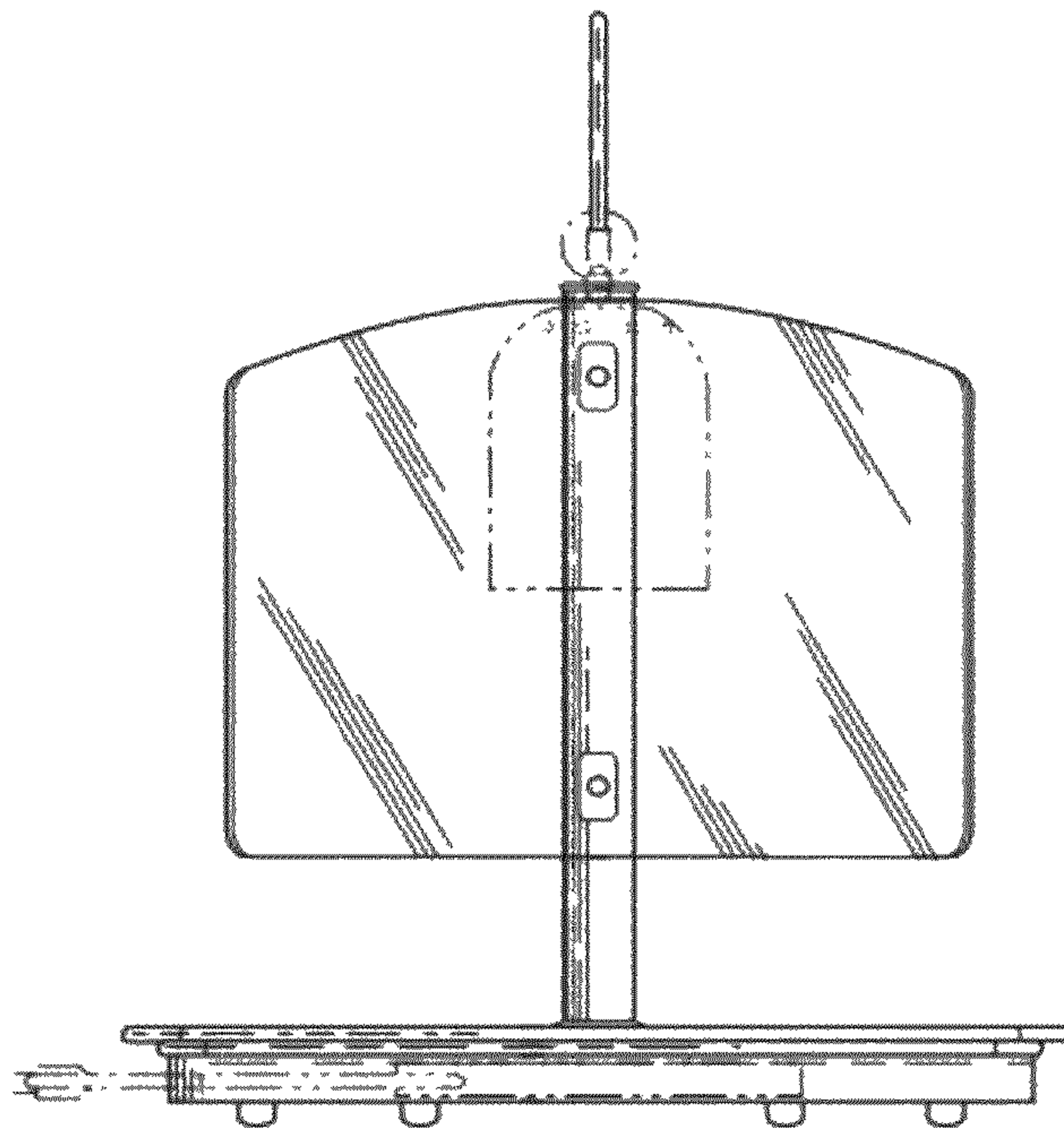
The broken lines shown in the drawings are for illustrative purposes only and form no part of the claimed design.

**1 Claim, 3 Drawing Sheets**



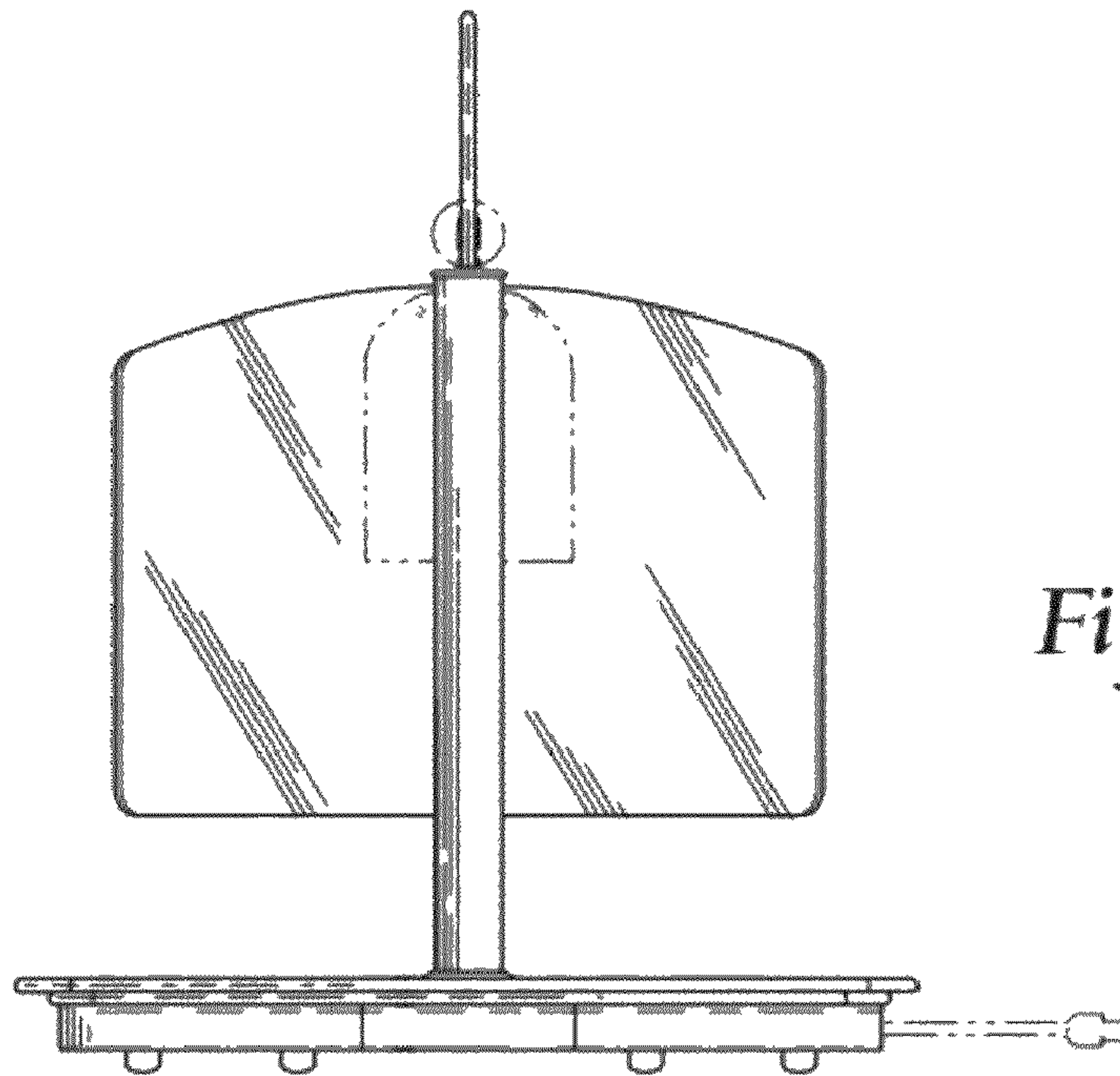


*Fig. 1*

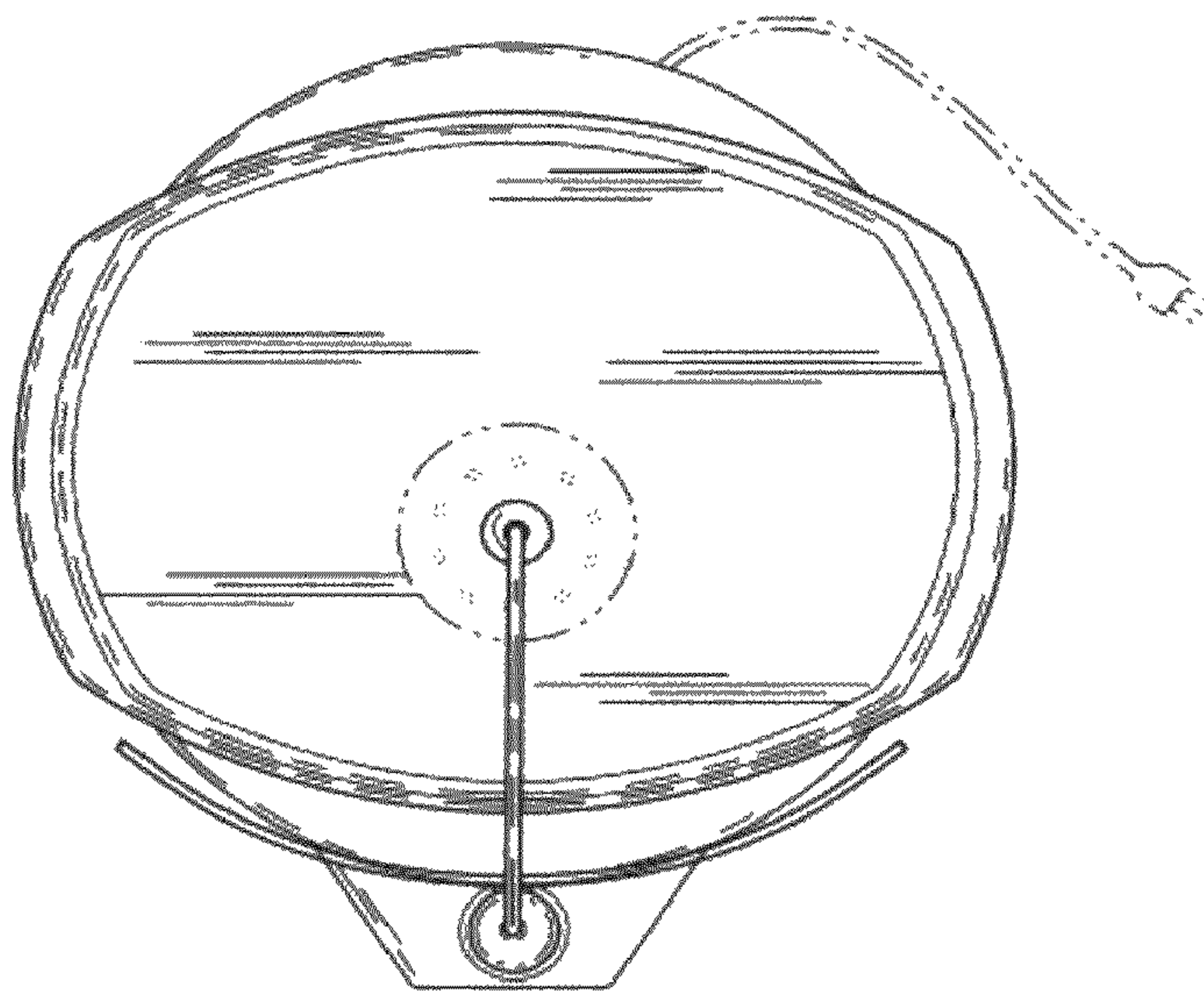


*Fig. 2*





*Fig. 3*



*Fig. 4*

