



US00D659488S

(12) **United States Design Patent**
Engwerda

(10) **Patent No.:** **US D659,488 S**
(45) **Date of Patent:** **** May 15, 2012**

(54) **FRUIT/VEGETABLE SHAPING MOULD**

- (75) Inventor: **Joshua Augustus Engwerda**,
Canterbury (AU)
- (73) Assignee: **Drax Industries Pty Ltd**, Hawthorn,
Victoria (AU)
- (**) Term: **14 Years**
- (21) Appl. No.: **29/360,305**
- (22) Filed: **Apr. 23, 2010**
- (30) **Foreign Application Priority Data**

Oct. 23, 2009 (AU) 14131/2009

- (51) **LOC (9) Cl.** **07-04**
- (52) **U.S. Cl.** **D7/675**
- (58) **Field of Classification Search** D7/672-677;
249/91-93, 119, 121, 133, 140, 102, 117;
D1/101, 102, 105, 127

See application file for complete search history.

(56) **References Cited**

U.S. PATENT DOCUMENTS

D117,346 S * 10/1939 Brickley D7/676
(Continued)

Primary Examiner — Terry Wallace

(74) *Attorney, Agent, or Firm* — Warner Norcross & Judd
LLP

(57) **CLAIM**

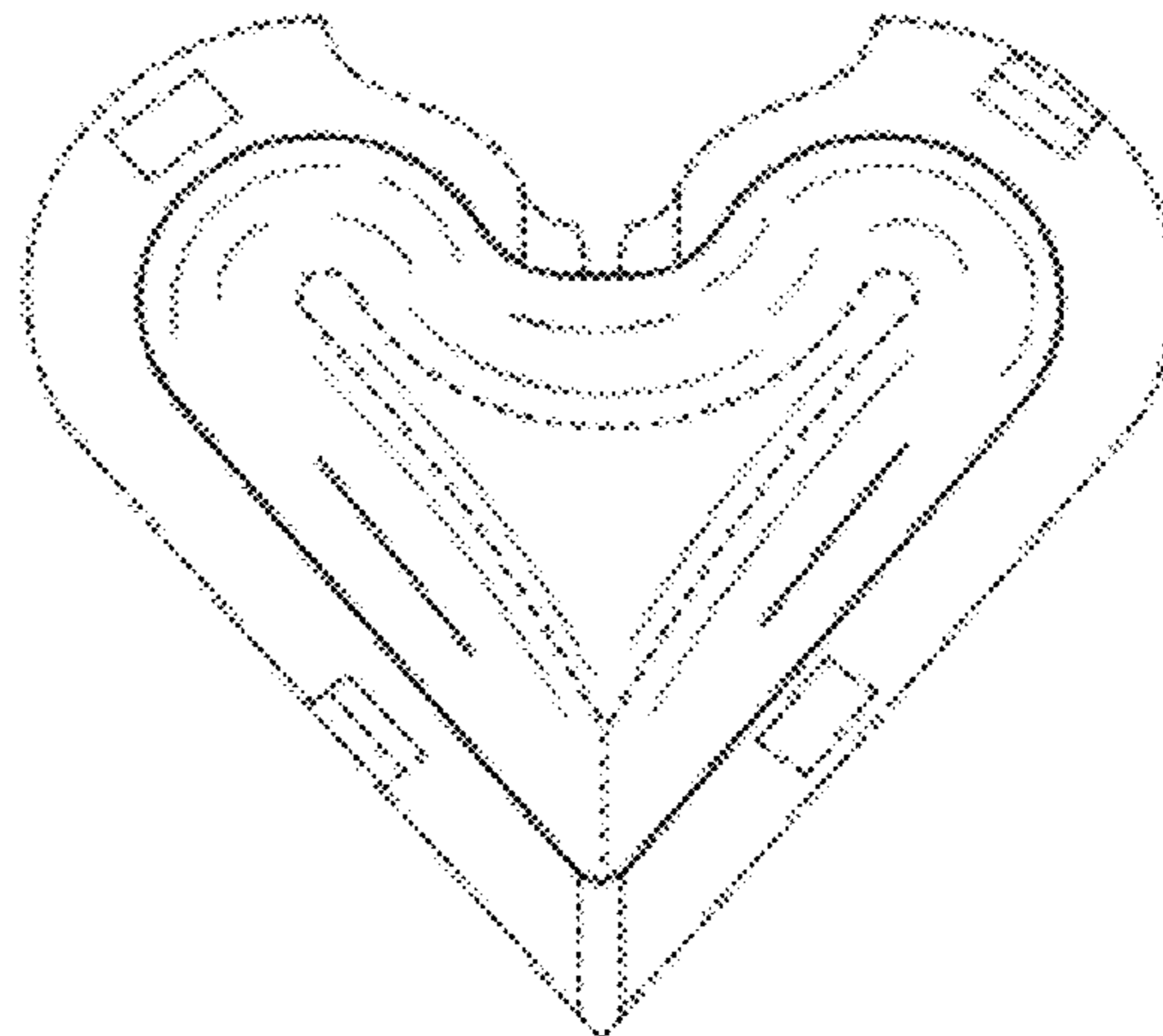
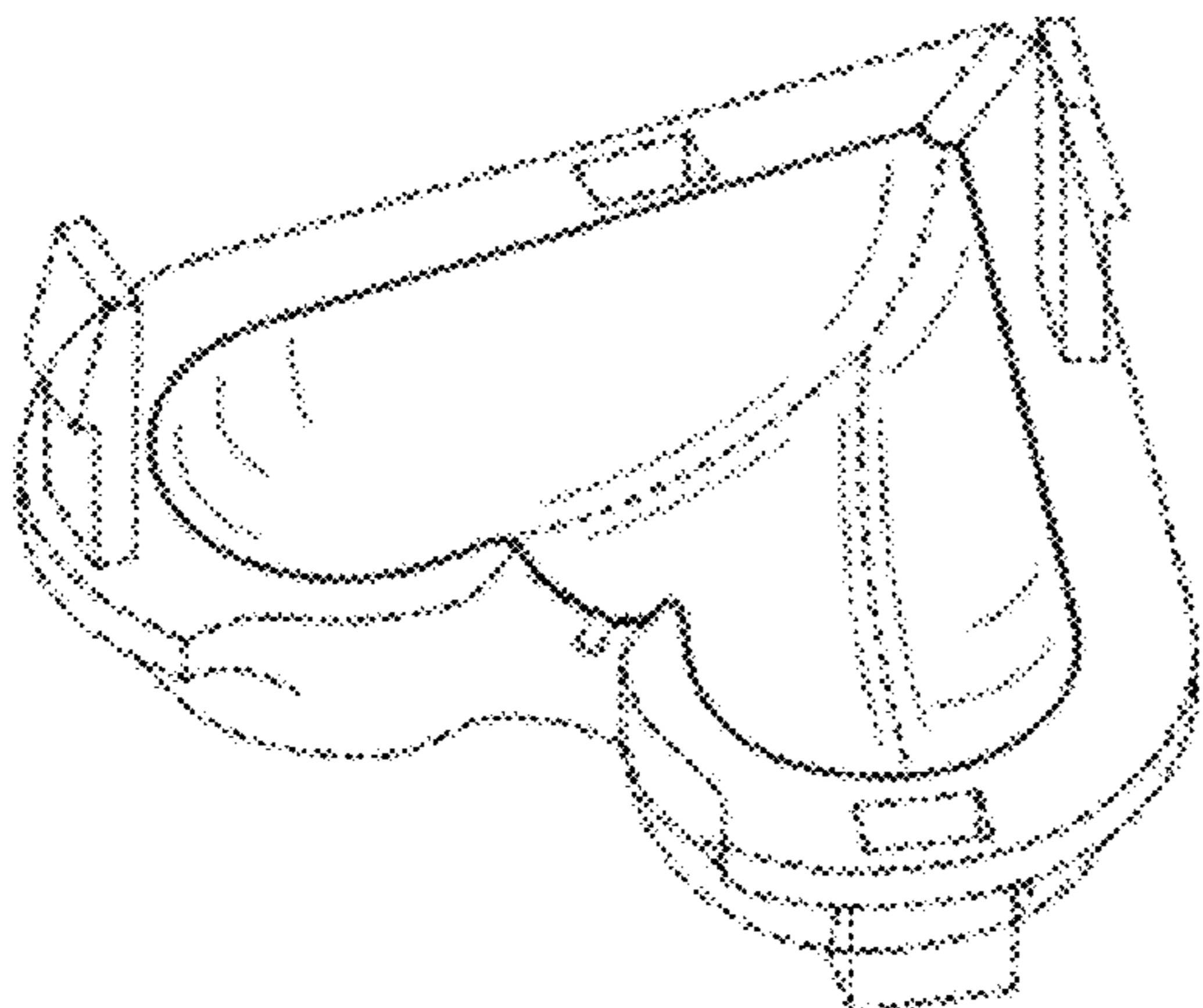
The ornamental design for a fruit/vegetable shaping mould,
as shown and described.

DESCRIPTION

FIG. 1 is a front perspective view of one half of the fruit/
vegetable shaping mould according to one embodiment of the
present invention;
FIG. 2 is a rear perspective view of one half of the fruit/
vegetable shaping mould;
FIG. 3 is a front view of one half of the fruit/vegetable shaping
mould;
FIG. 4 is a rear view of one half of the fruit/vegetable shaping
mould;
FIG. 5 is a right side view of one half of the fruit/vegetable
shaping mould;

FIG. 6 is a left side view of one half of the fruit/vegetable
shaping mould;
FIG. 7 is a top view of one half of the fruit/vegetable shaping
mould;
FIG. 8 is a bottom view of one half of the fruit/vegetable
shaping mould;
FIG. 9 is a perspective view of the assembled fruit/vegetable
shaping mould;
FIG. 10 is a side view of the assembled fruit/vegetable shap-
ing mould;
FIG. 11 is a top view of the assembled fruit/vegetable shaping
mould;
FIG. 12 is a bottom view of the assembled fruit/vegetable
shaping mould;
FIG. 13 is a front view of one half of the fruit/vegetable
shaping mould, showing the positions of the transverse cross-
sections depicted in FIGS. 14, 15 and 16, respectively;
FIG. 14 is a cross-sectional view on line 14-14 shown in FIG.
13;
FIG. 15 is a cross-sectional view on line 15-15 shown in FIG.
13;
FIG. 16 is a cross-sectional view on line 16-16 shown in FIG.
13;
FIG. 17 is a front view of one half of the fruit/vegetable
shaping mould, showing the positions of the longitudinal
cross-sections depicted in FIGS. 18, 19 and 20, respectively;
FIG. 18 is a cross-sectional view on line 18-18 shown in FIG.
17;
FIG. 19 is a cross-sectional view on line 19-19 shown in FIG.
17;
FIG. 20 is a cross-sectional view on line 20-20 shown in FIG.
17;
FIG. 21 is a front view of the assembled fruit/vegetable shap-
ing mould, showing the positions of the transverse cross-
section and the longitudinal cross-section depicted in FIGS.
22 and 23, respectively;
FIG. 22 is a cross-sectional view on line 22-22 shown in FIG.
21; and,
FIG. 23 is a cross-sectional view on line 23-23 shown in FIG.
21.
FIGS. 1-23 show portions of the fruit/vegetable shaping
mould in broken lines. The portions shown in broken lines are
for environmental purposes only and form no part of the
claimed design.

1 Claim, 23 Drawing Sheets



US D659,488 S

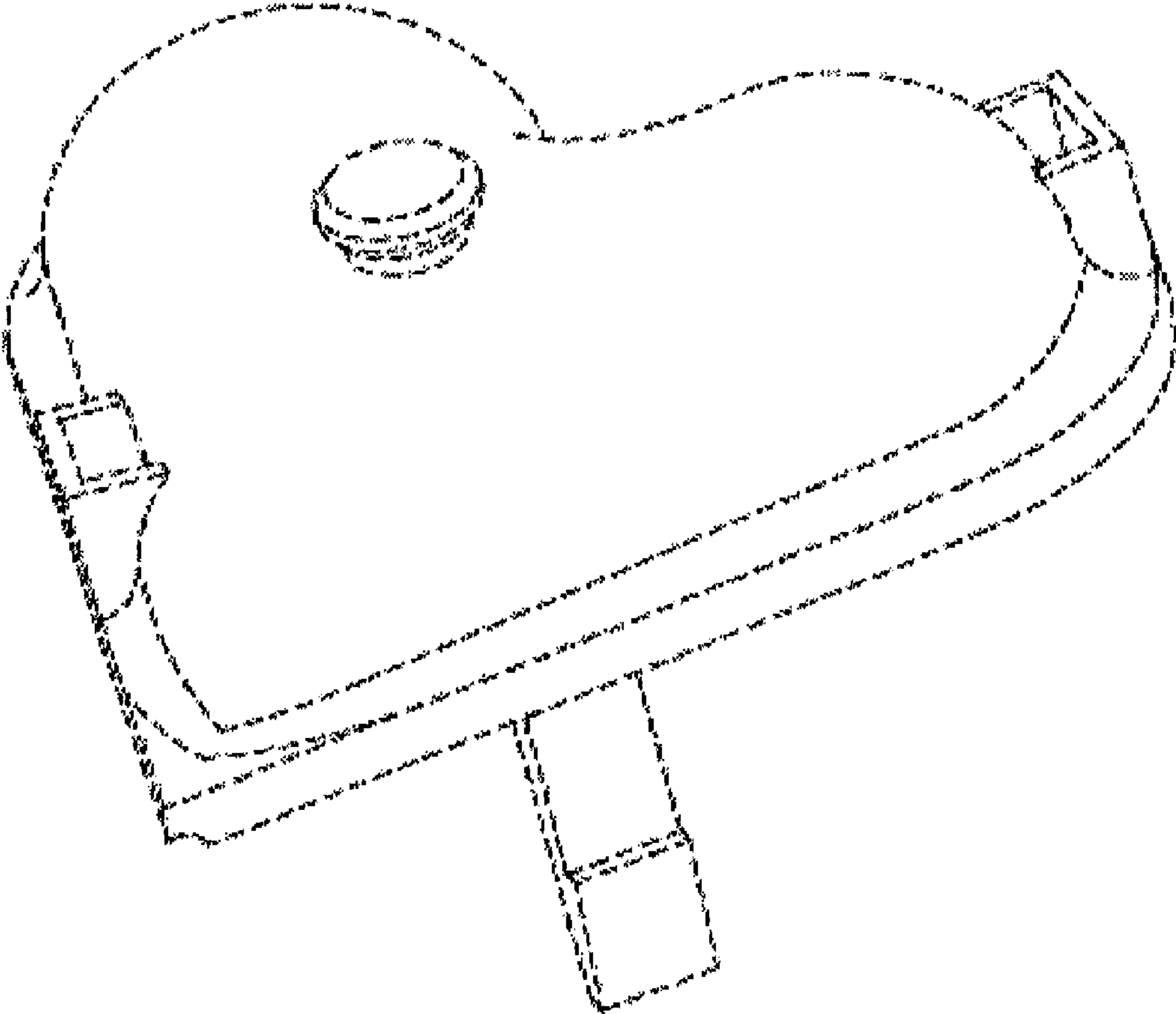
Page 2

U.S. PATENT DOCUMENTS

4,076,207	A	*	2/1978	Austin	249/66.1	D372,834	S	*	8/1996	Wagner	D7/354
D270,600	S	*	9/1983	Miller	D7/676	D521,320	S	*	5/2006	Ray	D7/579
D303,474	S	*	9/1989	Wolf	D7/675	D556,520	S	*	12/2007	Sehoff et al.	D7/675

* cited by examiner

FIGURE 1



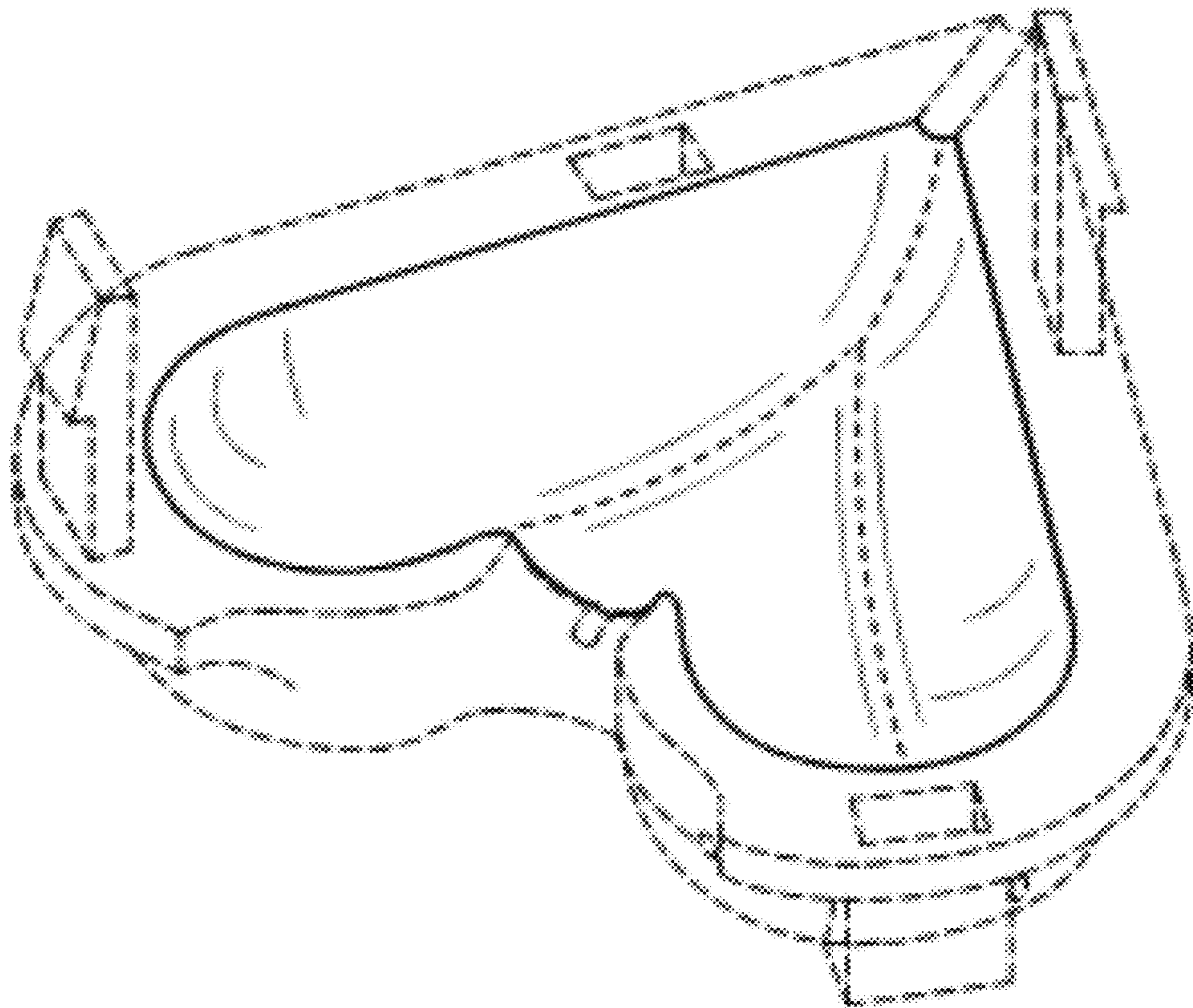
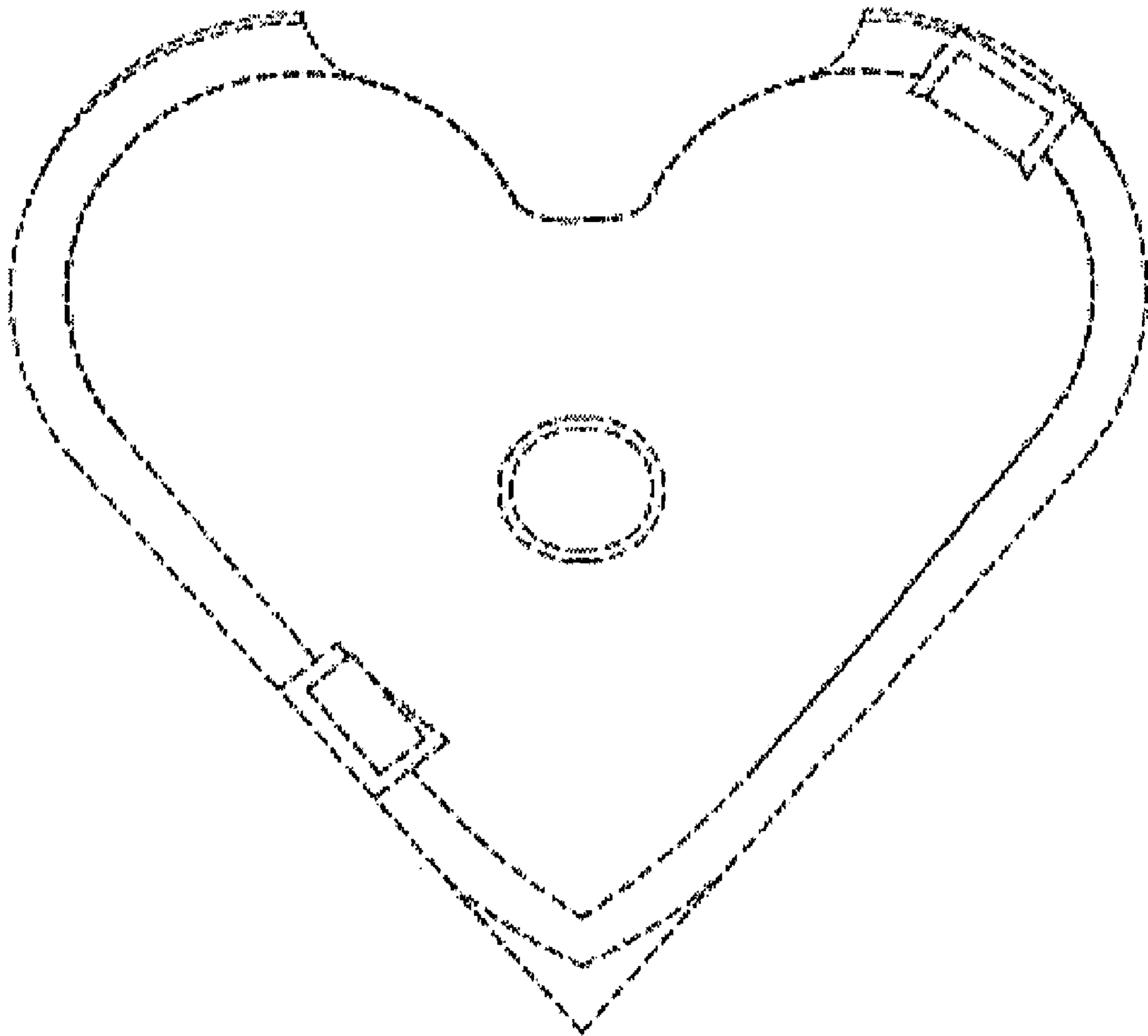


FIGURE 2

FIGURE 3



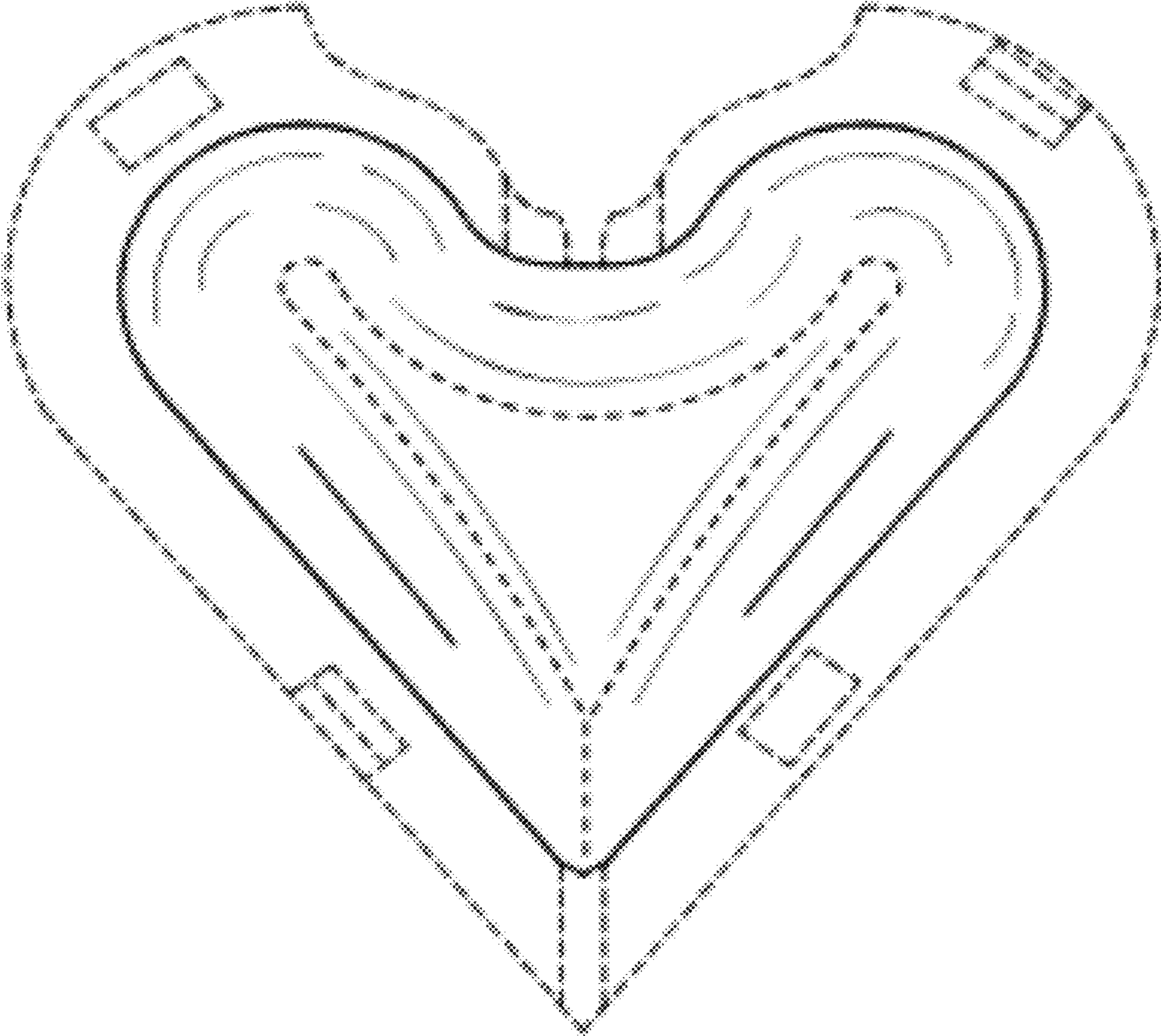


FIGURE 4

FIGURE 5

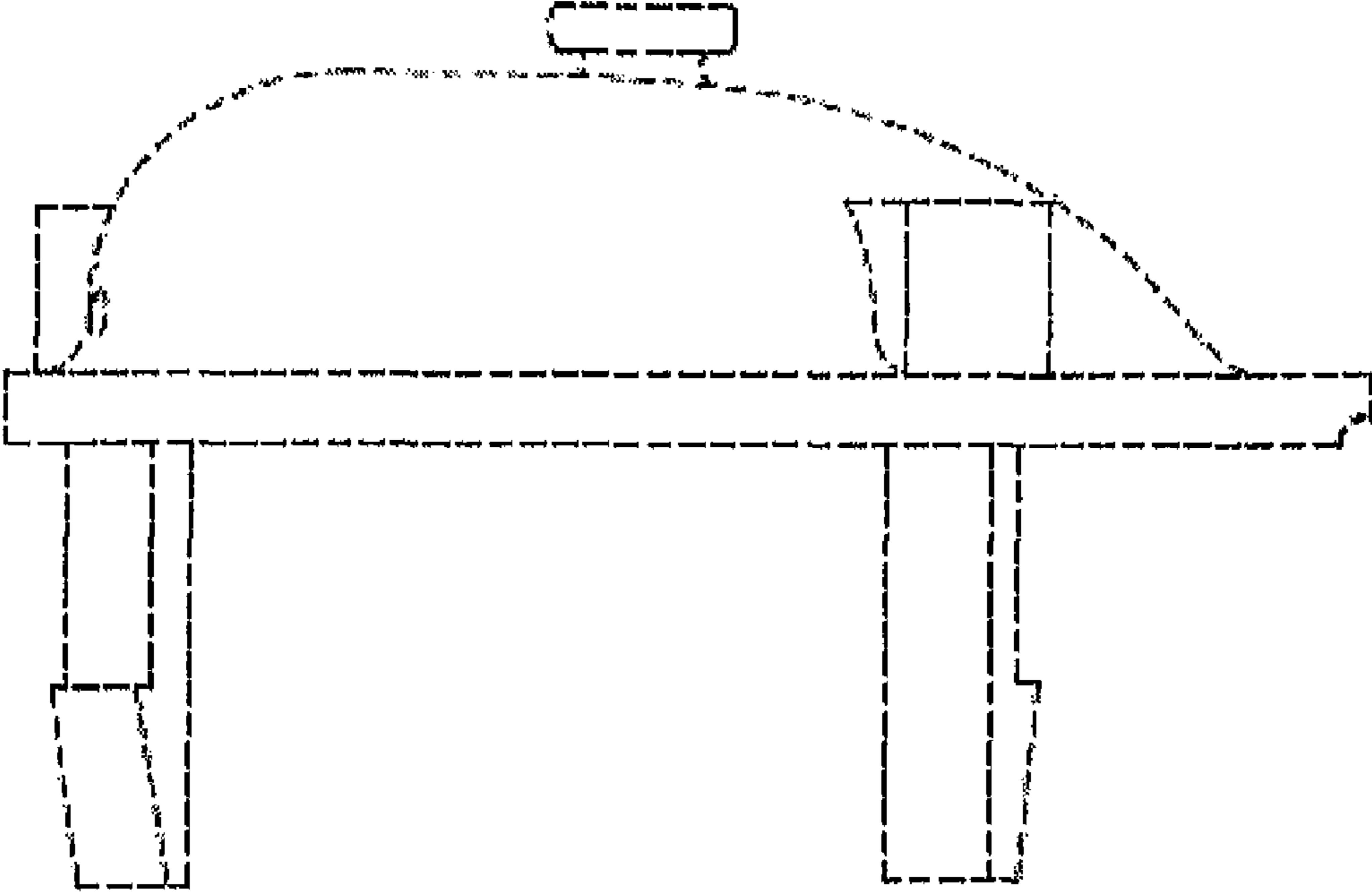


FIGURE 6

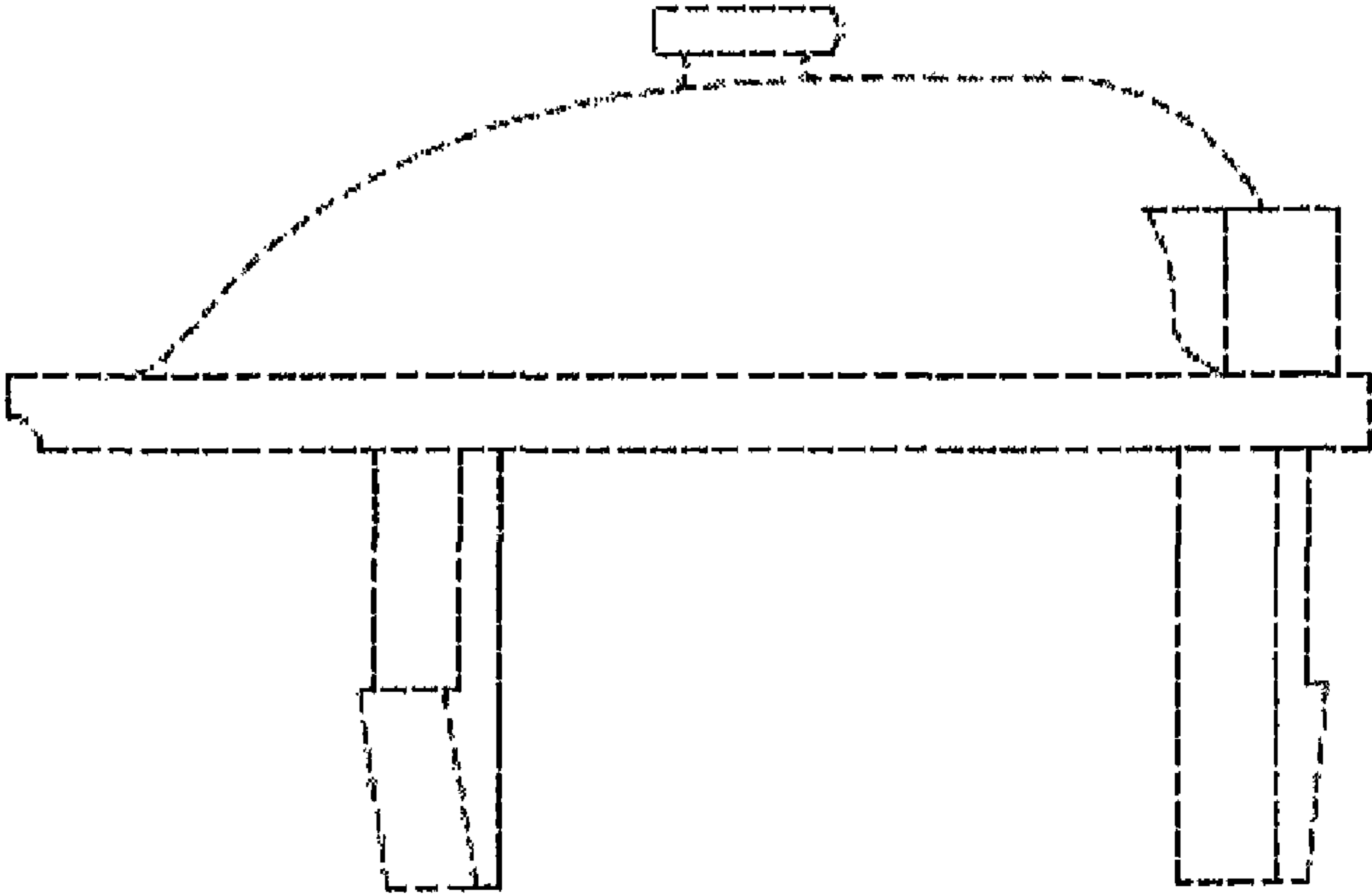


FIGURE 7

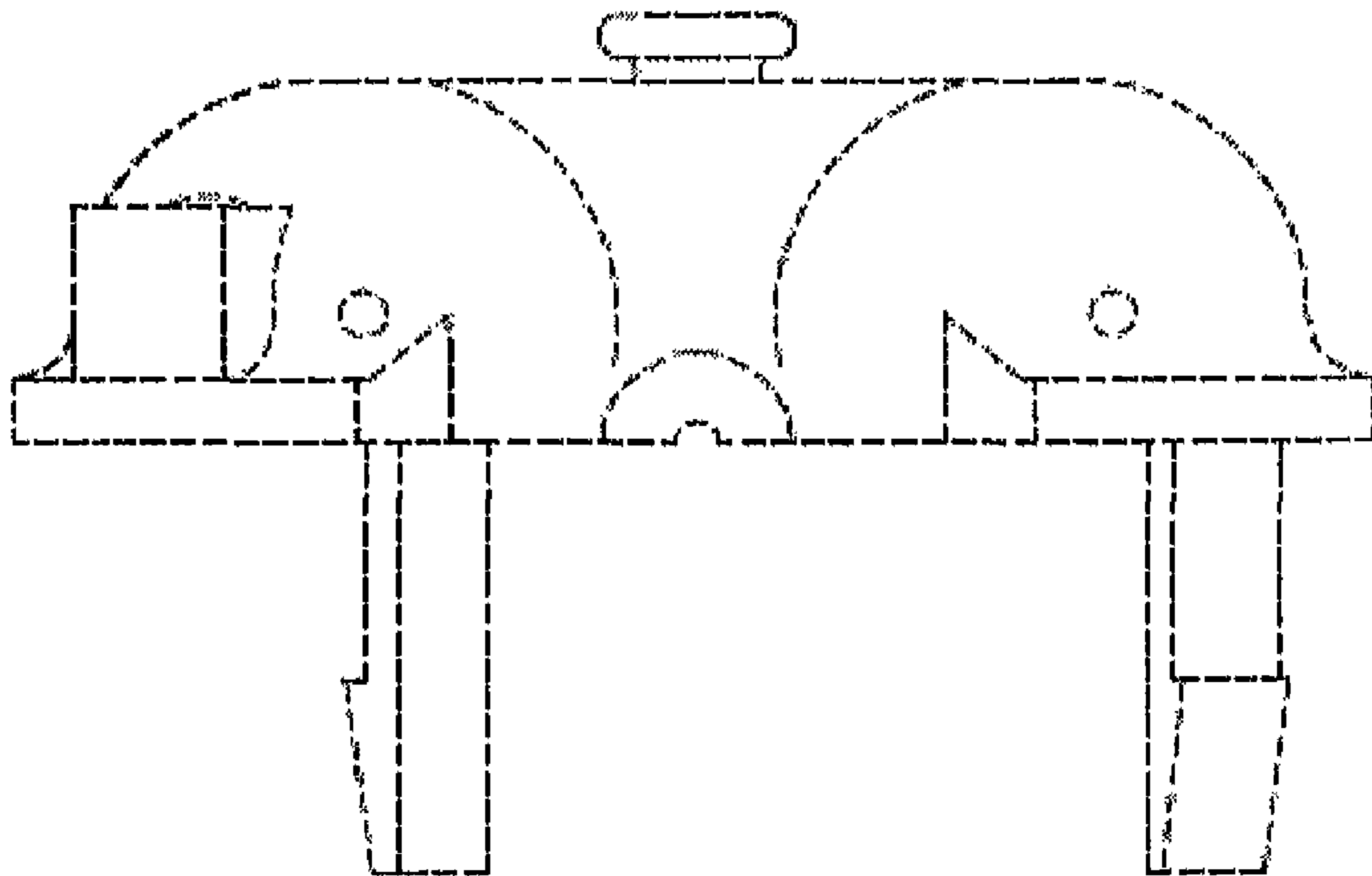


FIGURE 8

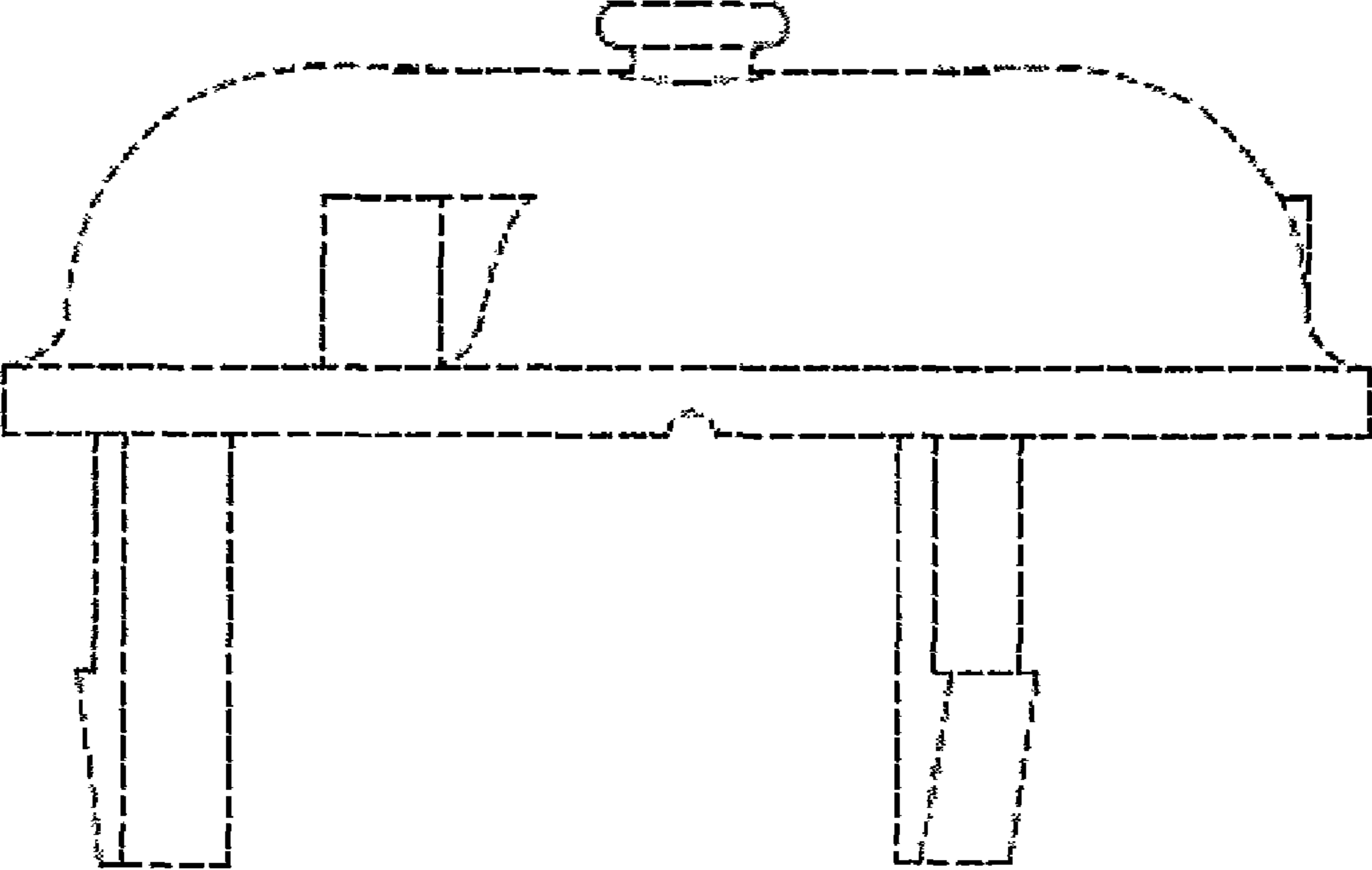


FIGURE 9

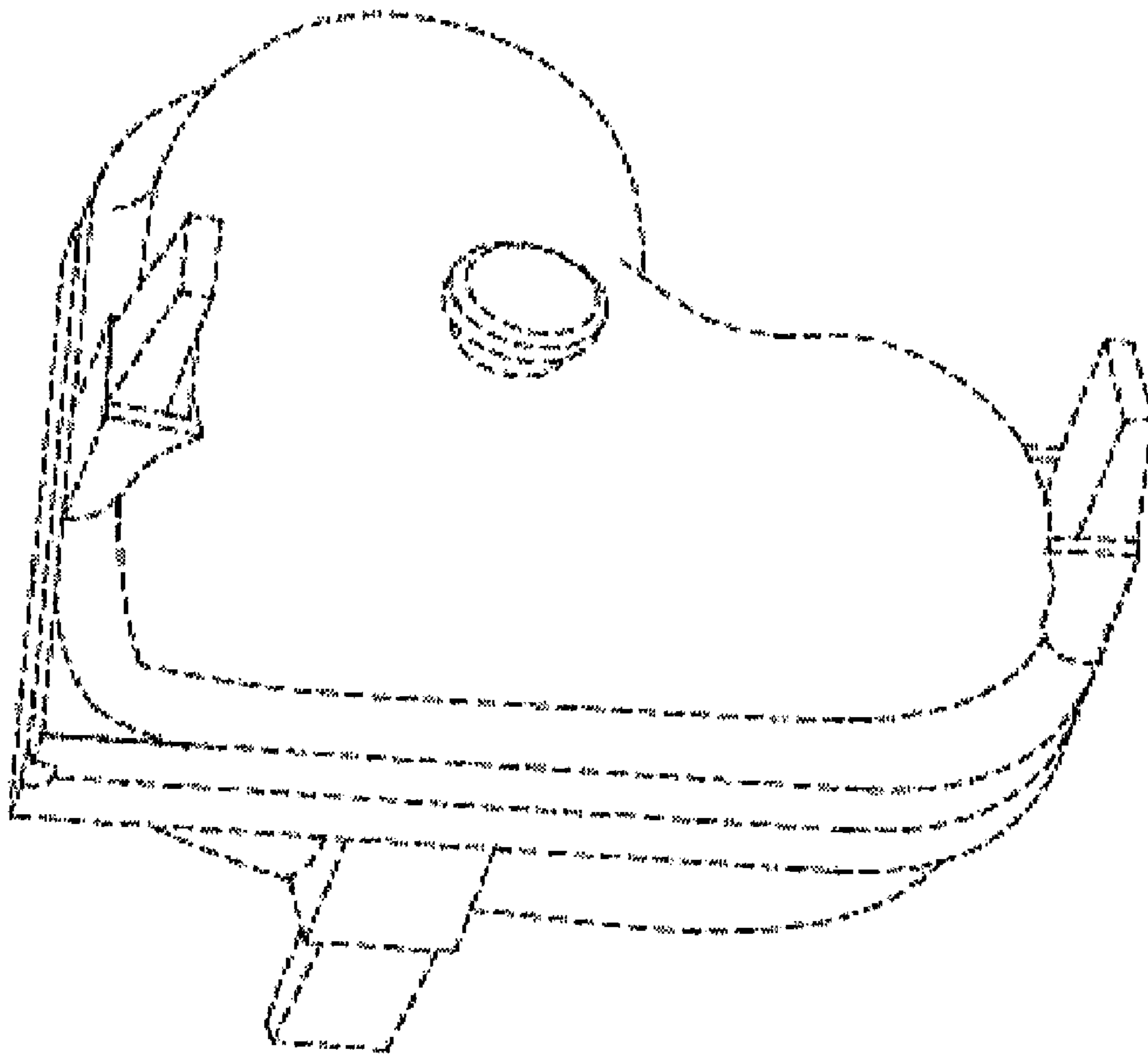


FIGURE 10

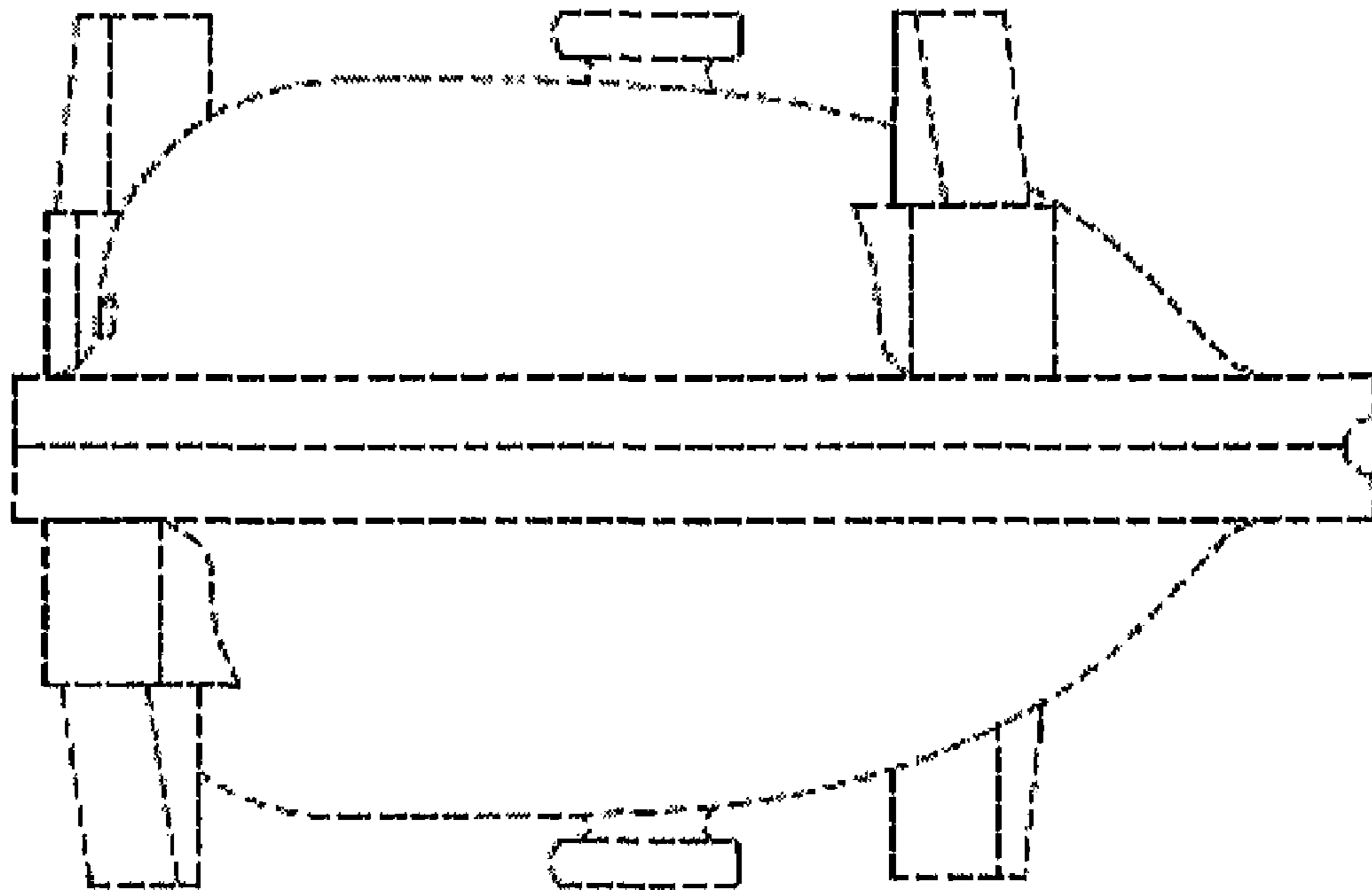


FIGURE 11

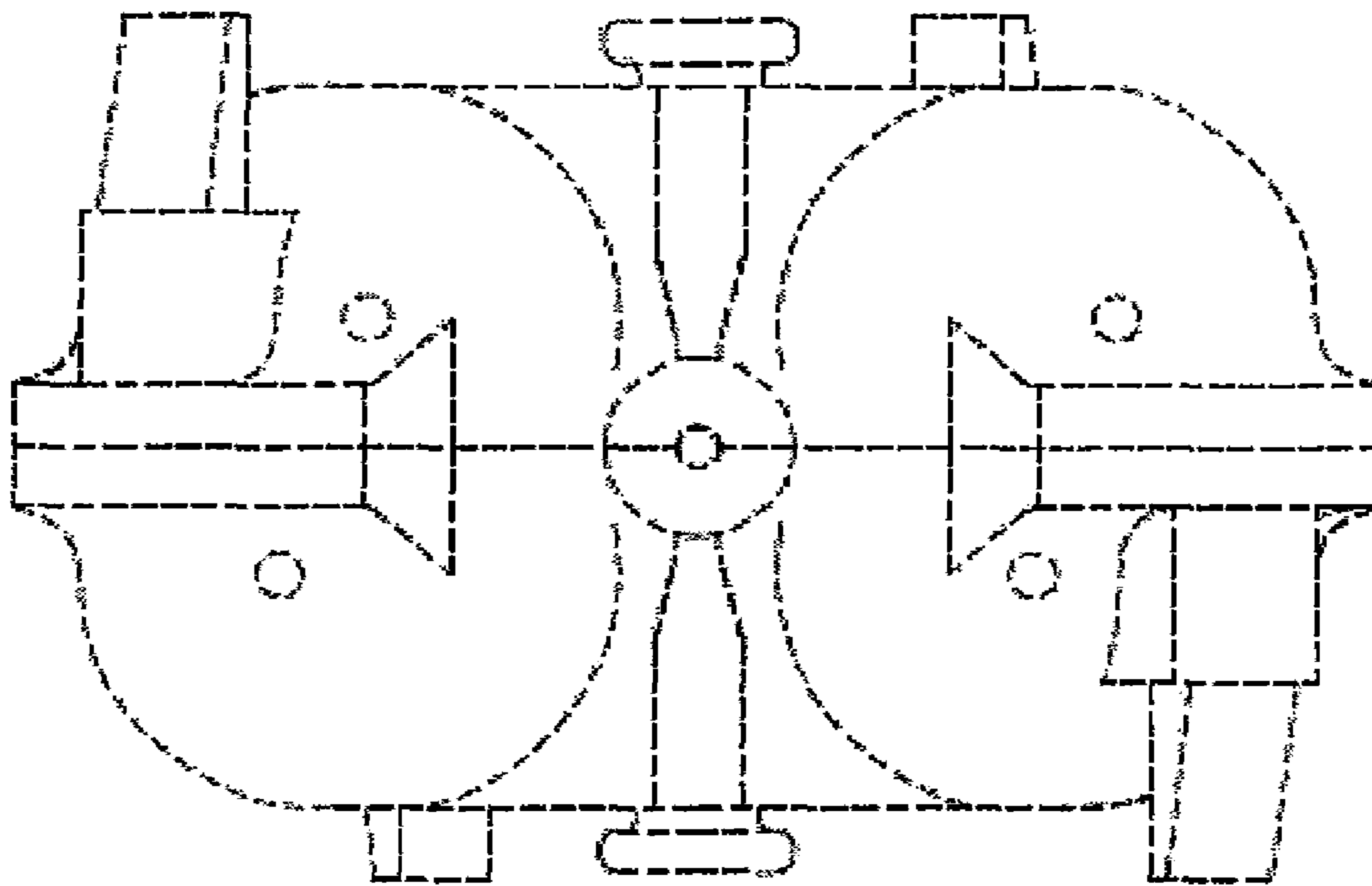
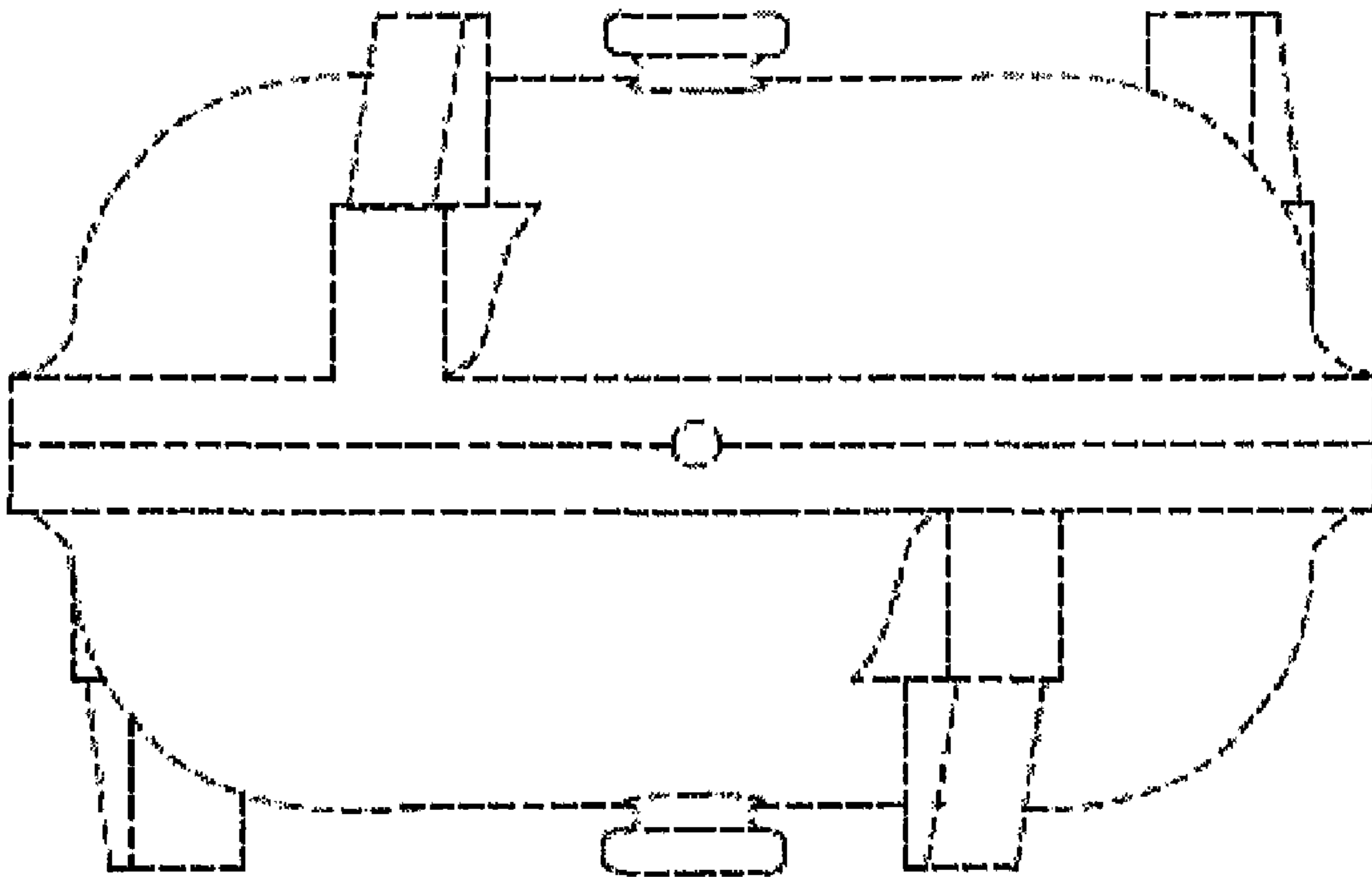


FIGURE 12



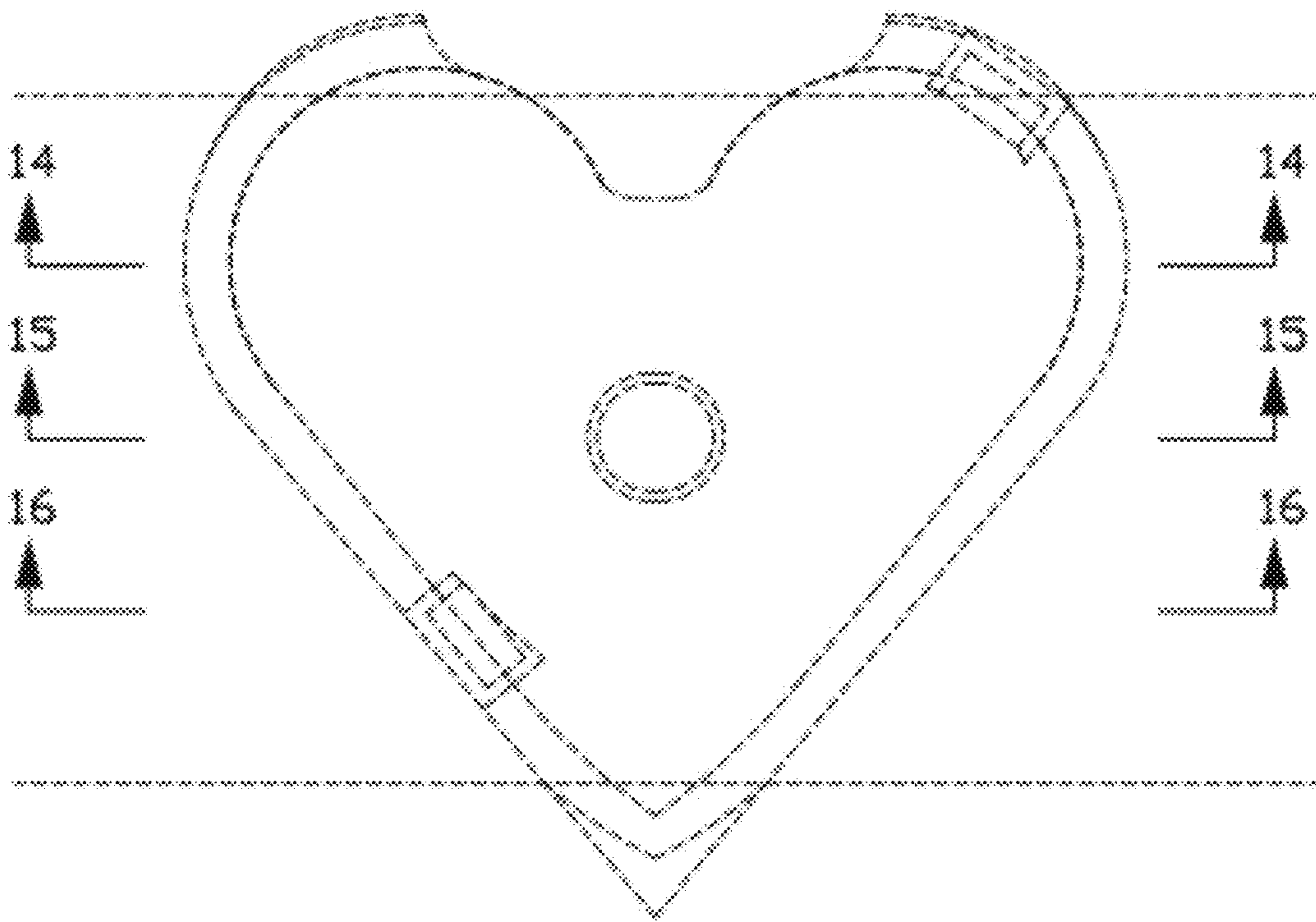


FIGURE 13

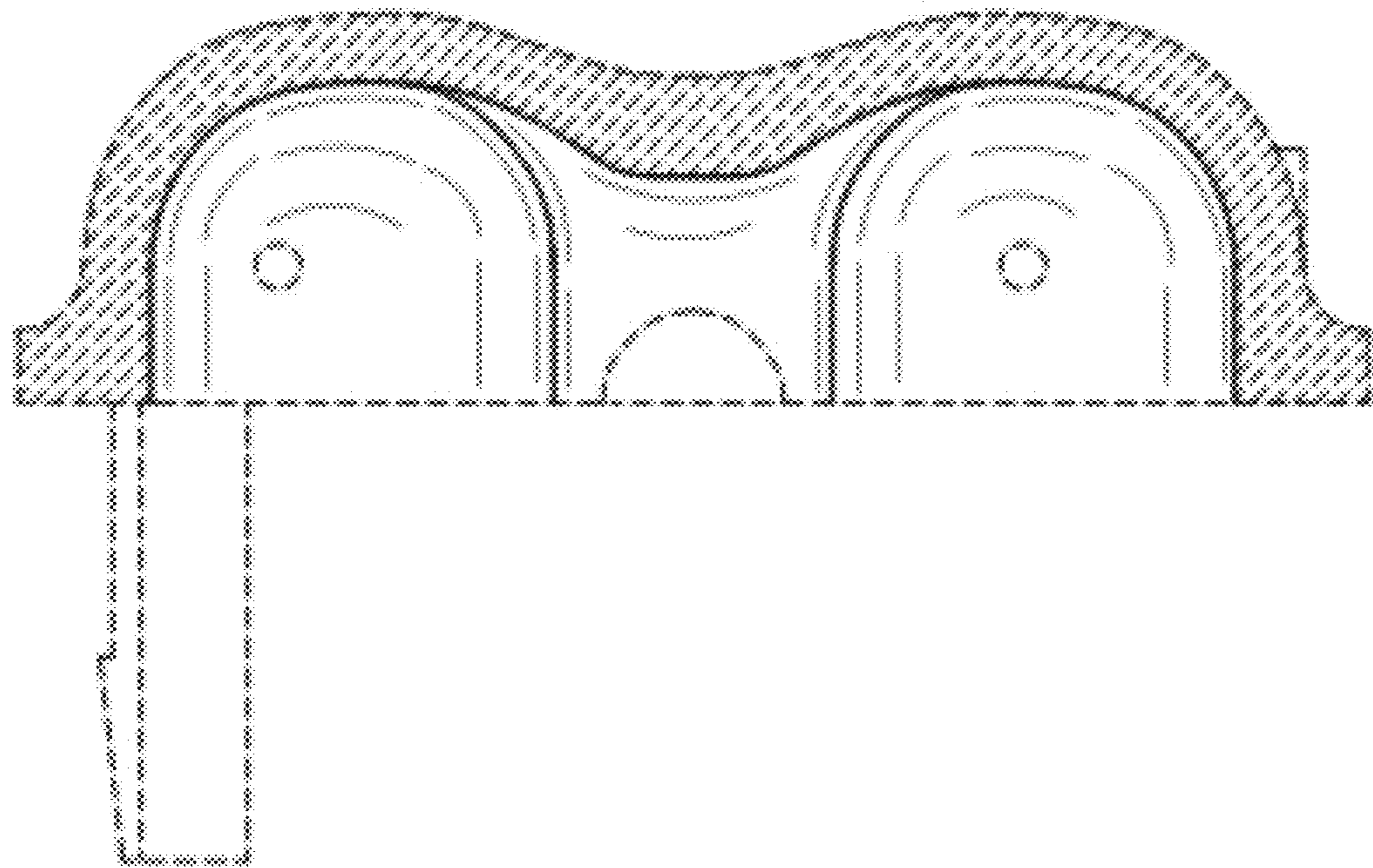


FIGURE 14

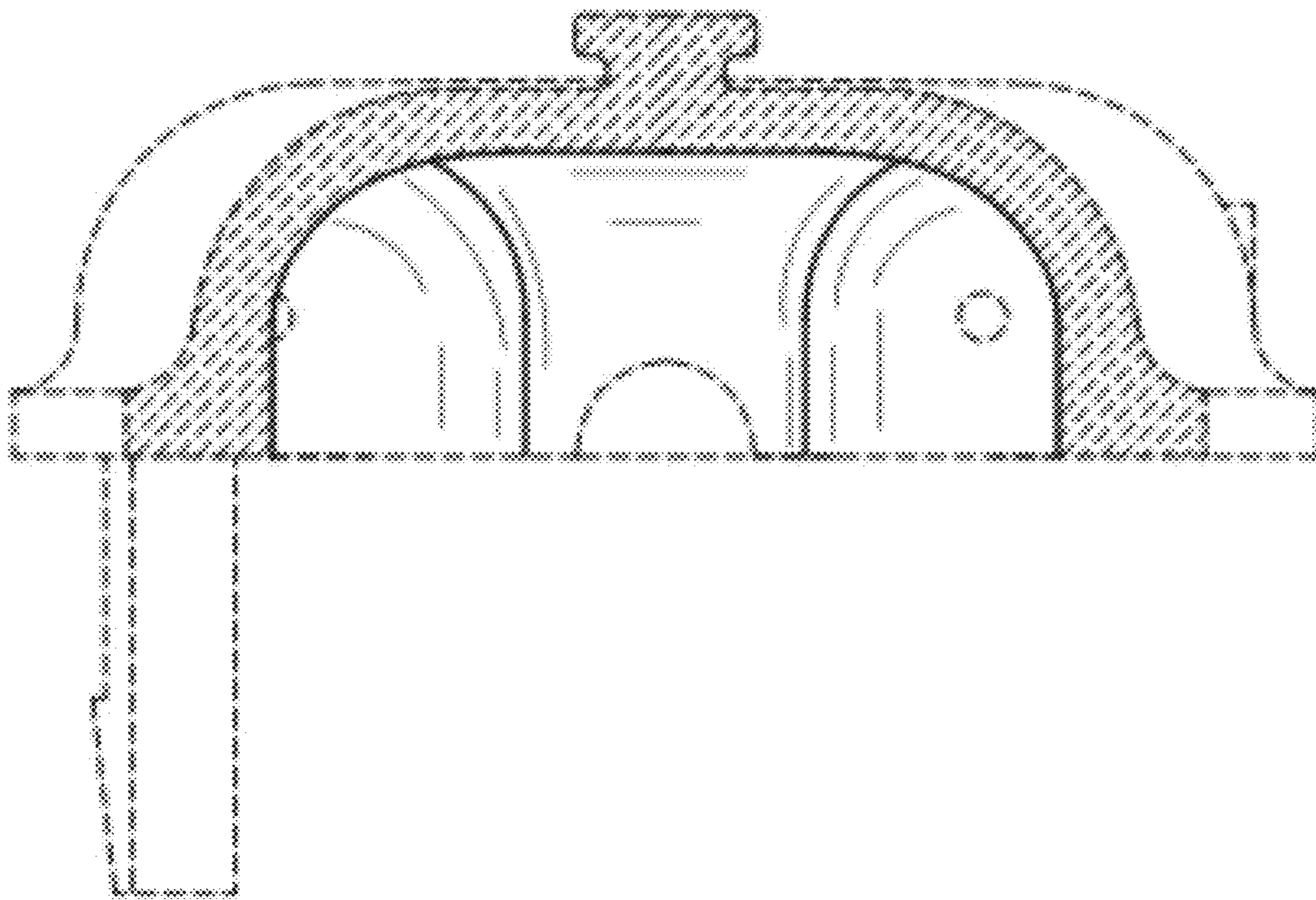


FIGURE 15

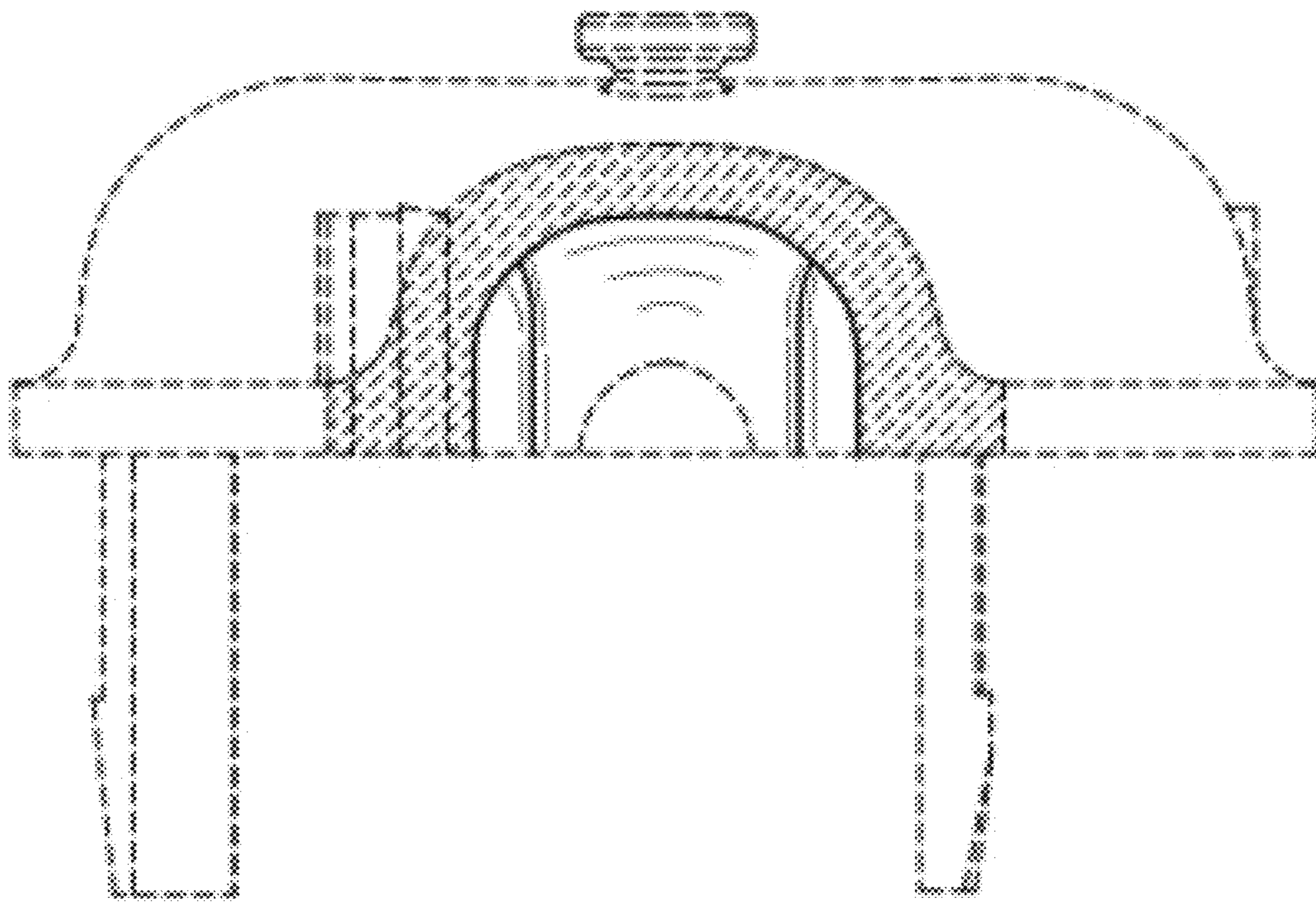


FIGURE 16

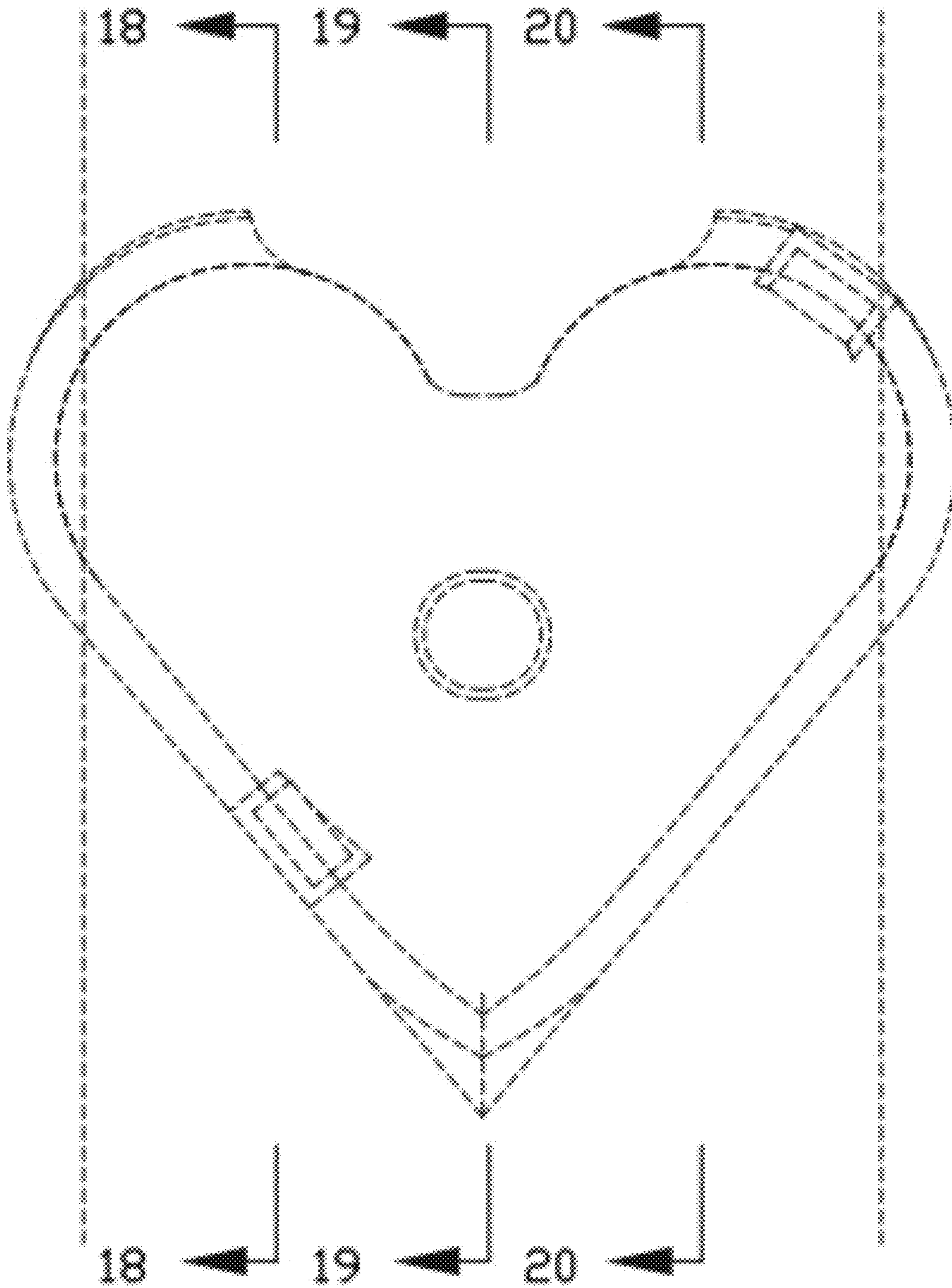


FIGURE 17

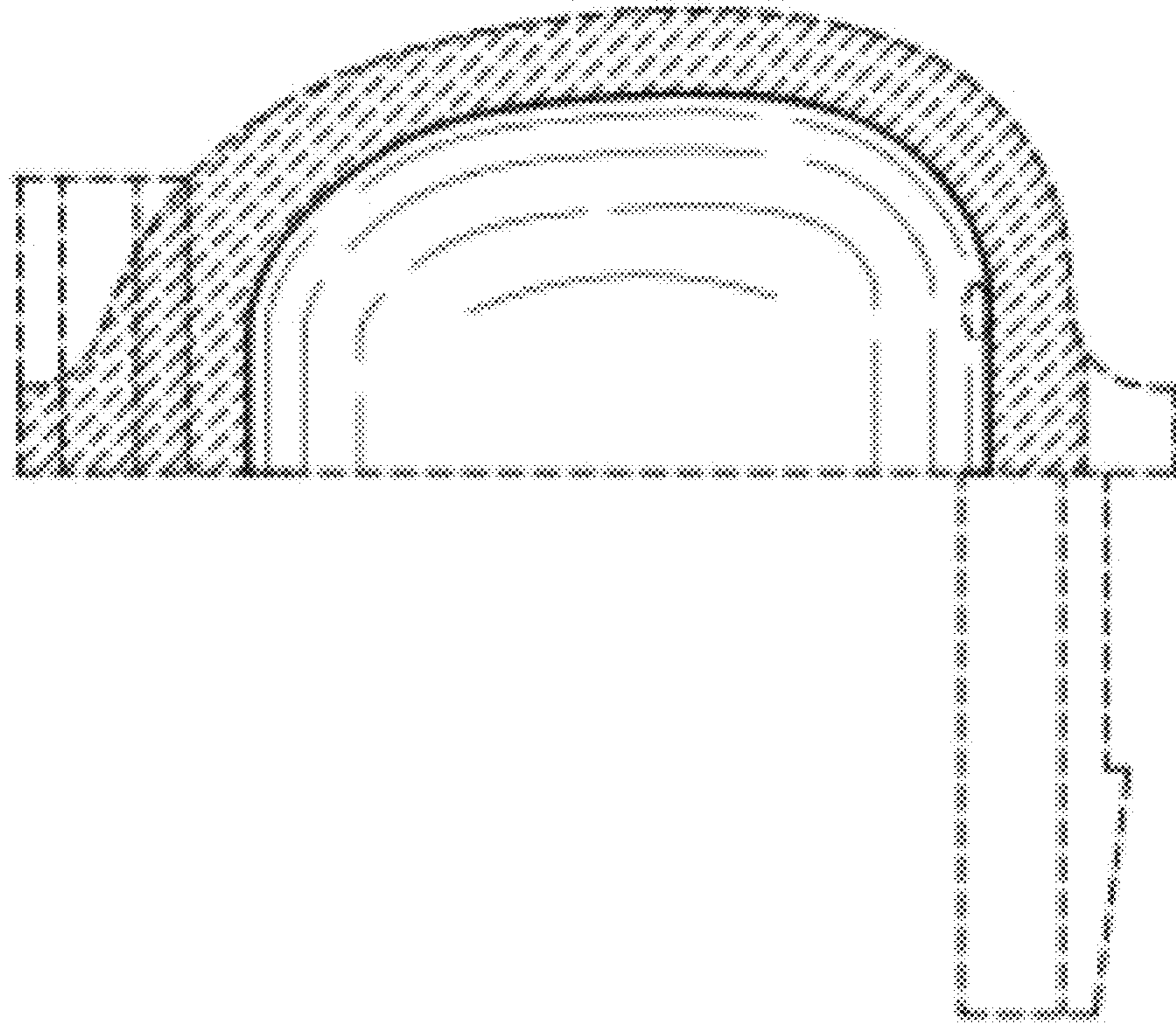


FIGURE 18

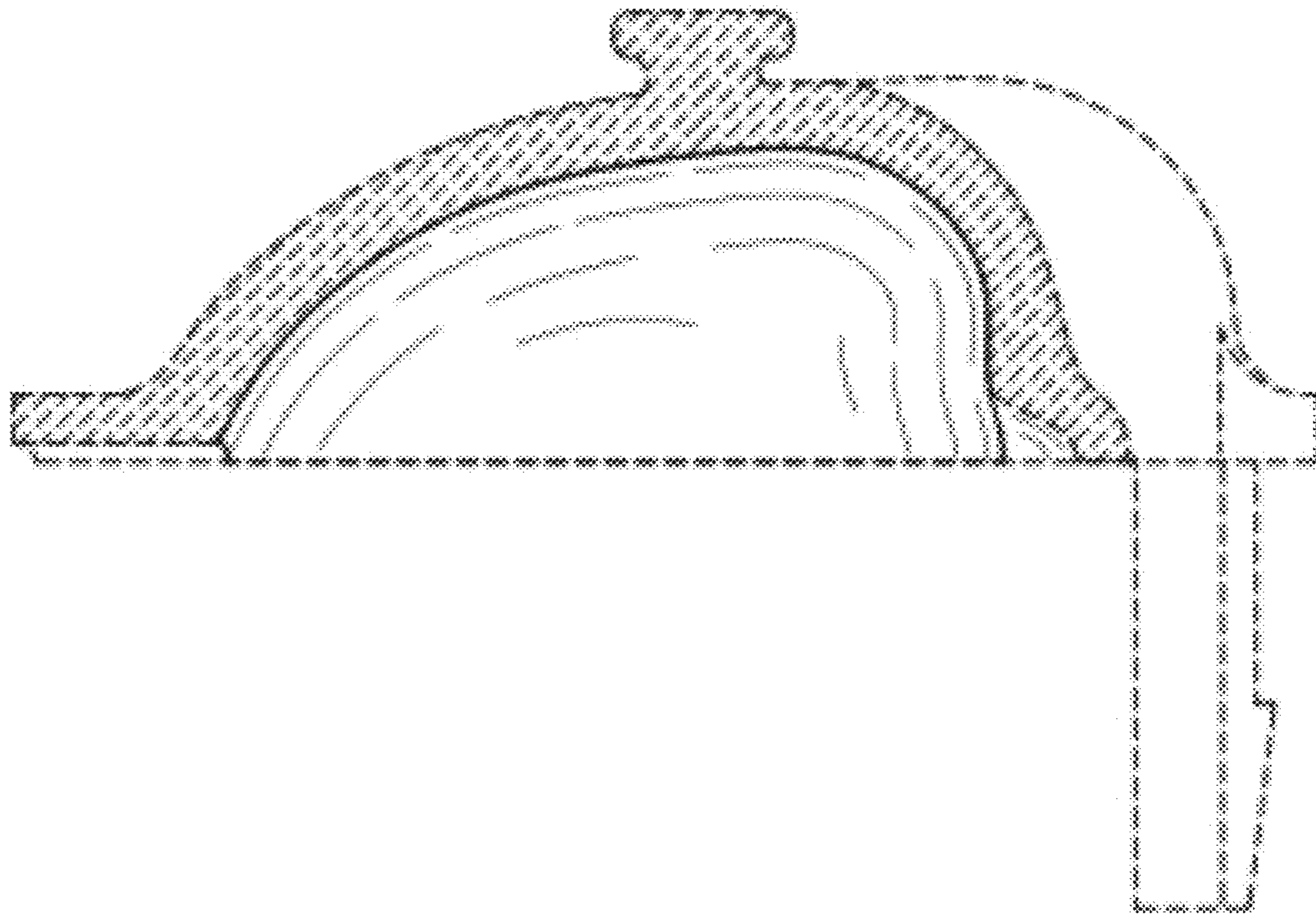


FIGURE 19

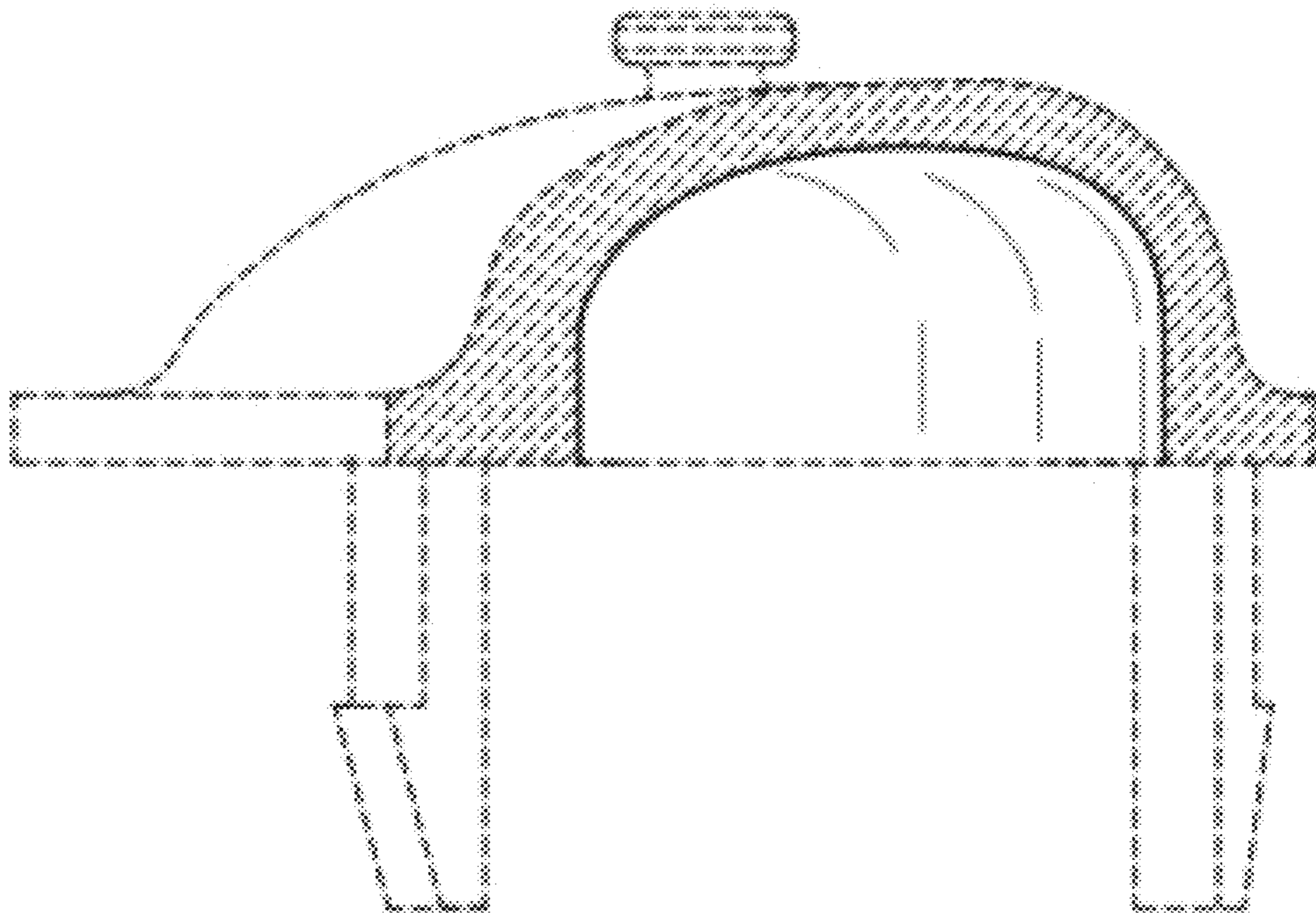


FIGURE 20

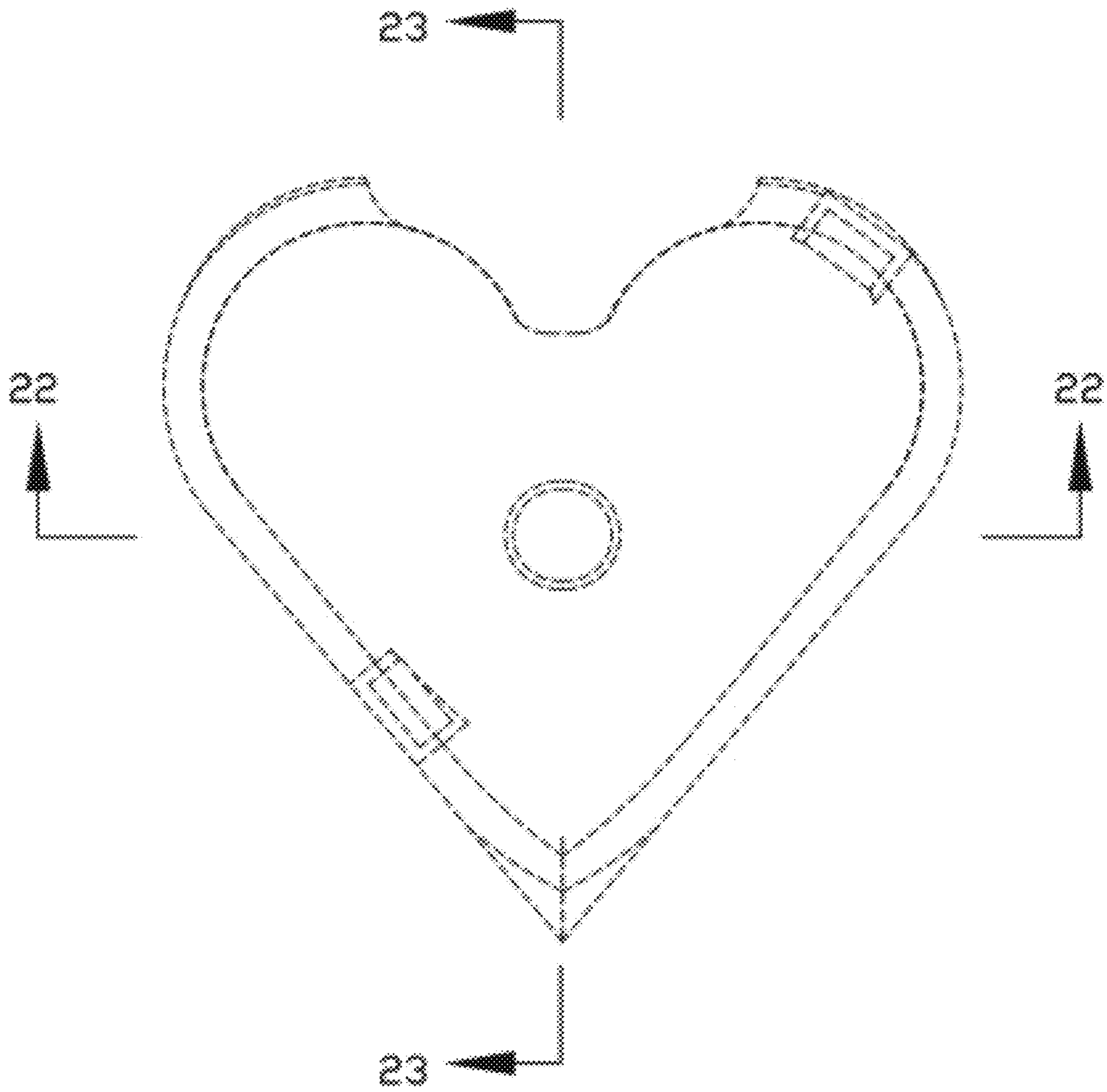


FIGURE 21

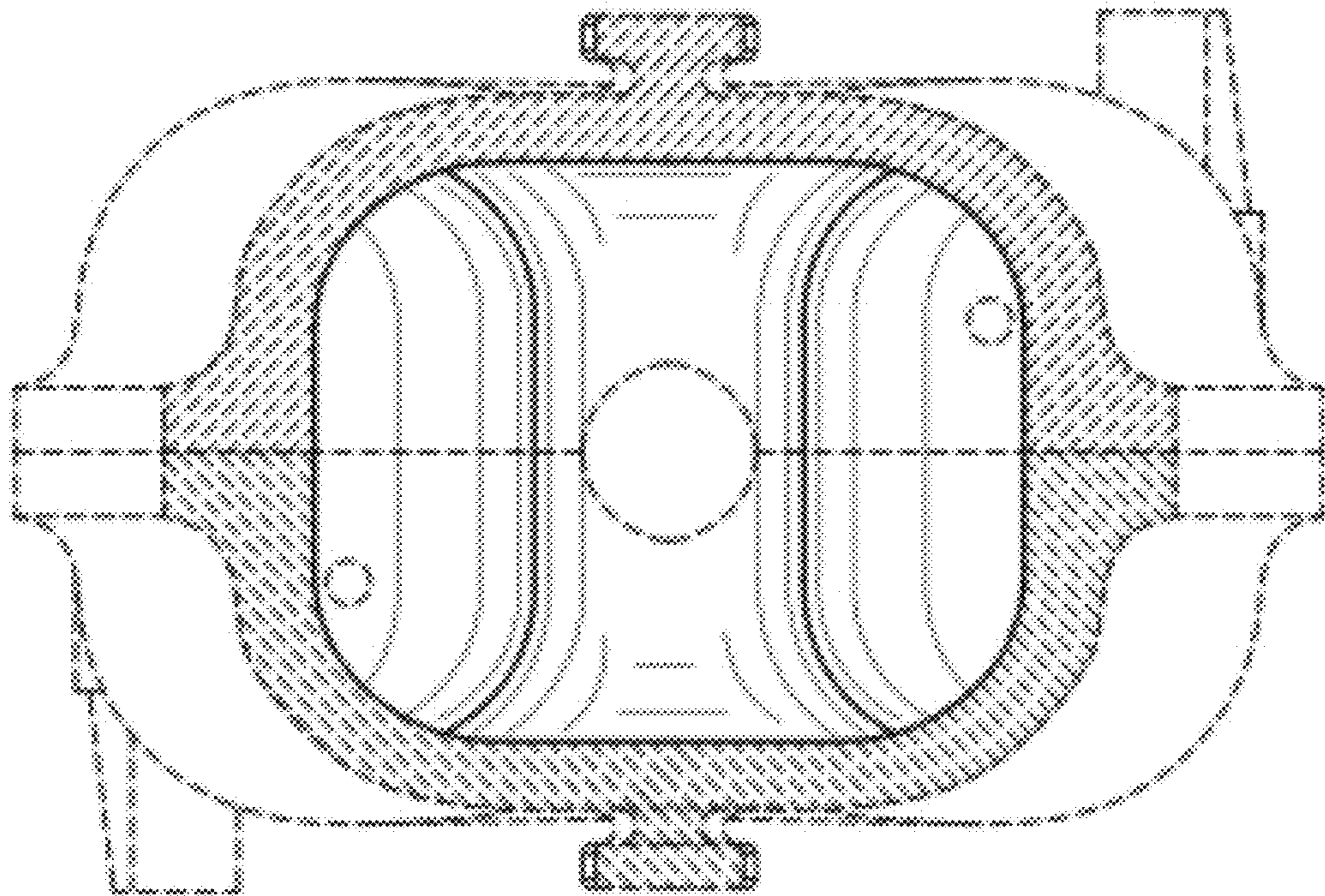


FIGURE 22

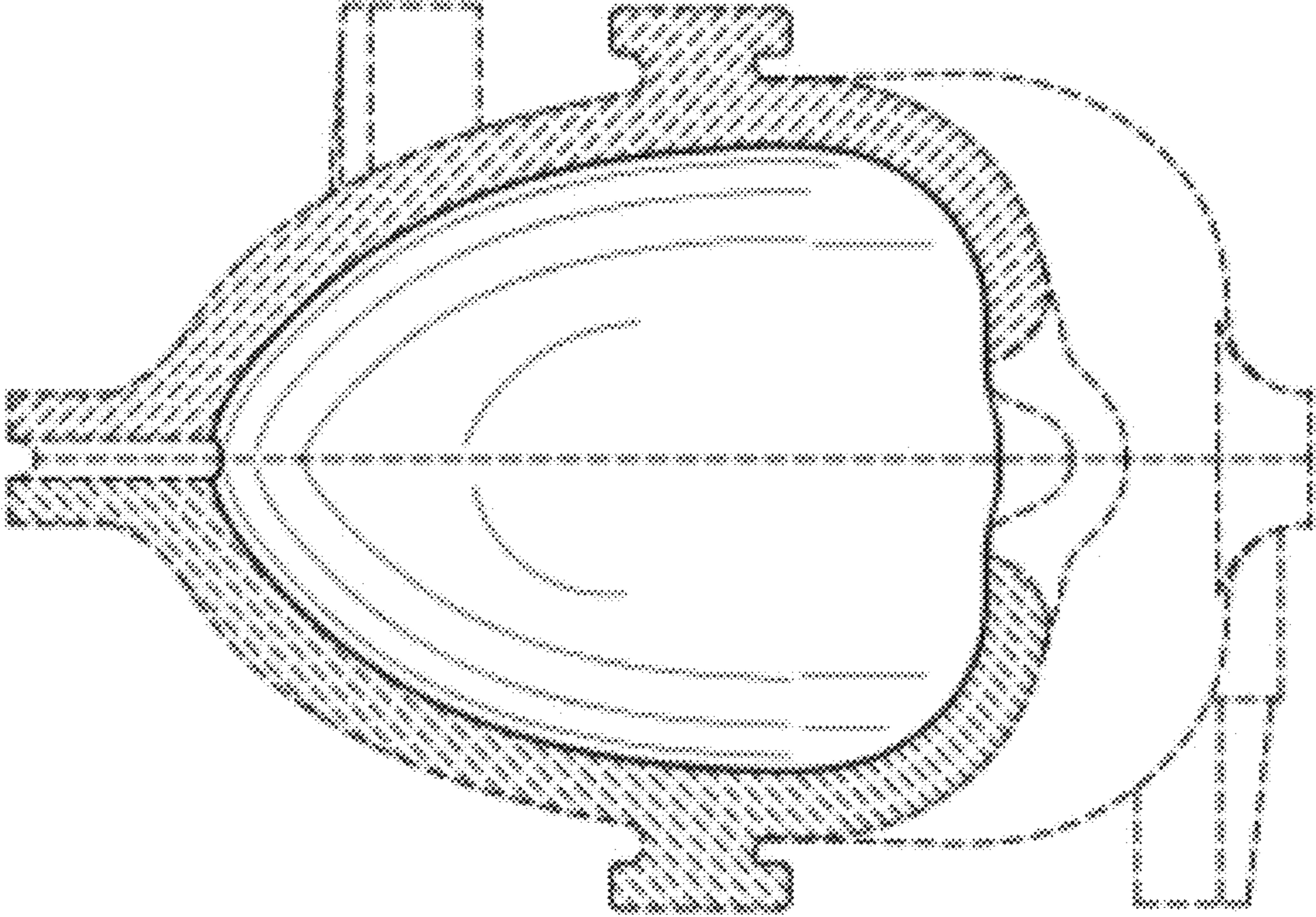


FIGURE 23