



US00D659483S

(12) **United States Design Patent**
Dagan et al.

(10) **Patent No.:** **US D659,483 S**

(45) **Date of Patent:** **** May 15, 2012**

(54) **CUPCAKE CARRIER**

(75) Inventors: **Roni Dagan**, Netanya (IL); **Noa Moyal**, Netanya (IL); **Michael Librus**, Netanya (IL)

(73) Assignee: **RL Industry Company Ltd.**, Ningbo (CN)

(**) Term: **14 Years**

(21) Appl. No.: **29/400,130**

(22) Filed: **Aug. 24, 2011**

(51) **LOC (9) Cl.** **07-07**

(52) **U.S. Cl.** **D7/610**

(58) **Field of Classification Search** D7/610,
D7/629; 206/519, 493, 557-567, 499, 508,
206/509, 675; 426/124, 128; 220/573.1-573.4,
220/4.27, 529, 660, 675, 574-575; 229/117.14,
229/117.13, 117.09, 117.02, 116.1

See application file for complete search history.

(56) **References Cited**

U.S. PATENT DOCUMENTS

4,694,961 A * 9/1987 Menendez 220/4.27
D356,716 S * 3/1995 Dornbush et al. D7/357
5,779,080 A * 7/1998 Corse 220/4.28

D400,055 S * 10/1998 Mc Fadzean D7/610
5,967,323 A * 10/1999 Siragusa 206/562
6,003,671 A * 12/1999 McDonough et al. 206/493
6,153,237 A * 11/2000 Ferguson 426/115
D515,363 S * 2/2006 Driggers et al. D7/610

* cited by examiner

Primary Examiner — Terry Wallace

(74) *Attorney, Agent, or Firm* — Mark M Friedman

(57) **CLAIM**

The ornamental design for the cupcake carrier, as shown and described.

DESCRIPTION

FIG. 1 is a top view of a cupcake carrier showing my design in close position;

FIG. 2 is a side view thereof;

FIG. 3 is a bottom view thereof;

FIG. 4 is a front view thereof;

FIG. 5 is an isometric view thereof;

FIG. 6 is a top view of a cupcake carrier showing my design in open position;

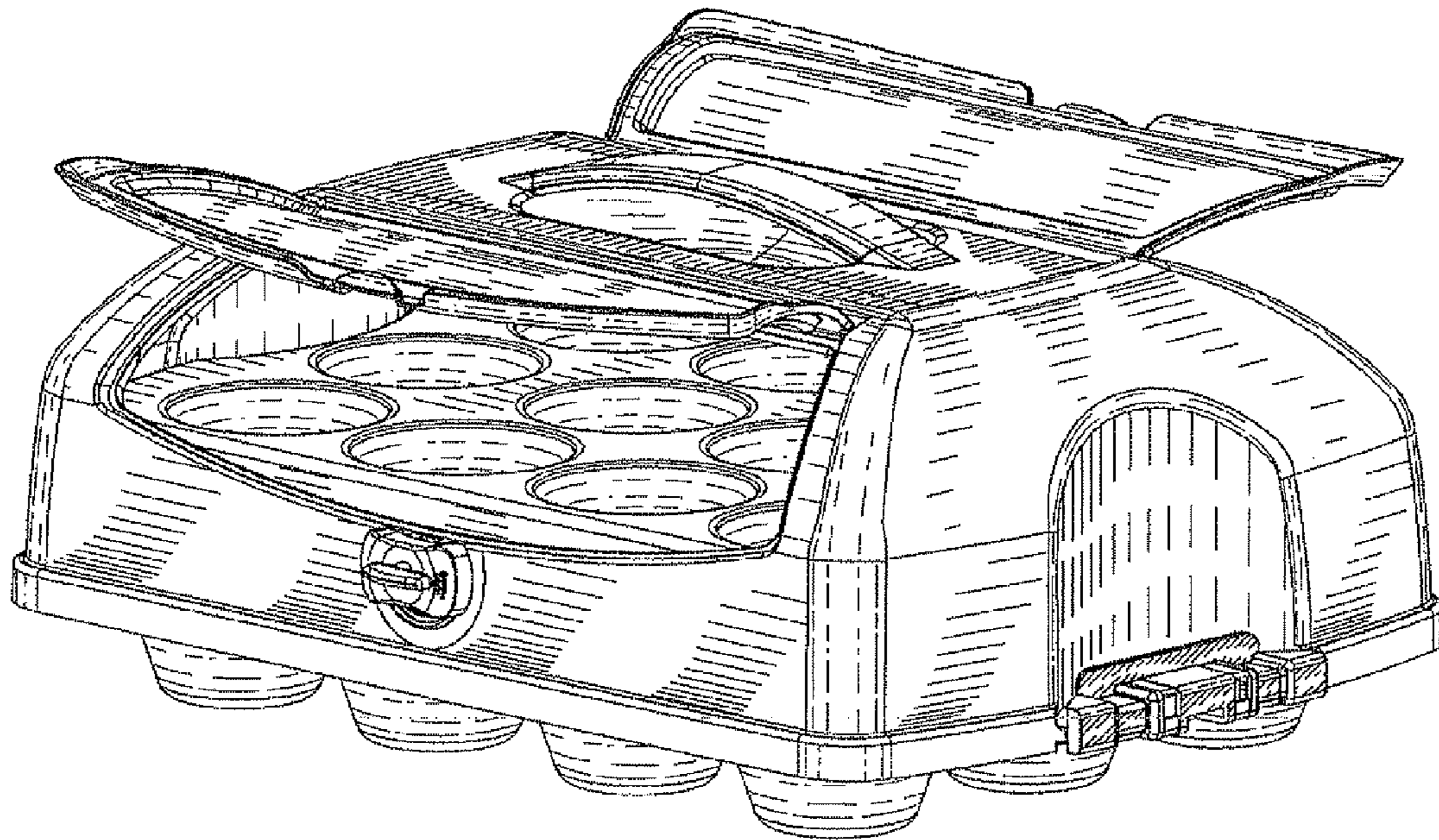
FIG. 7 is a side view thereof;

FIG. 8 is a bottom view thereof;

FIG. 9 is a front view thereof; and,

FIG. 10 is an isometric view thereof.

1 Claim, 10 Drawing Sheets



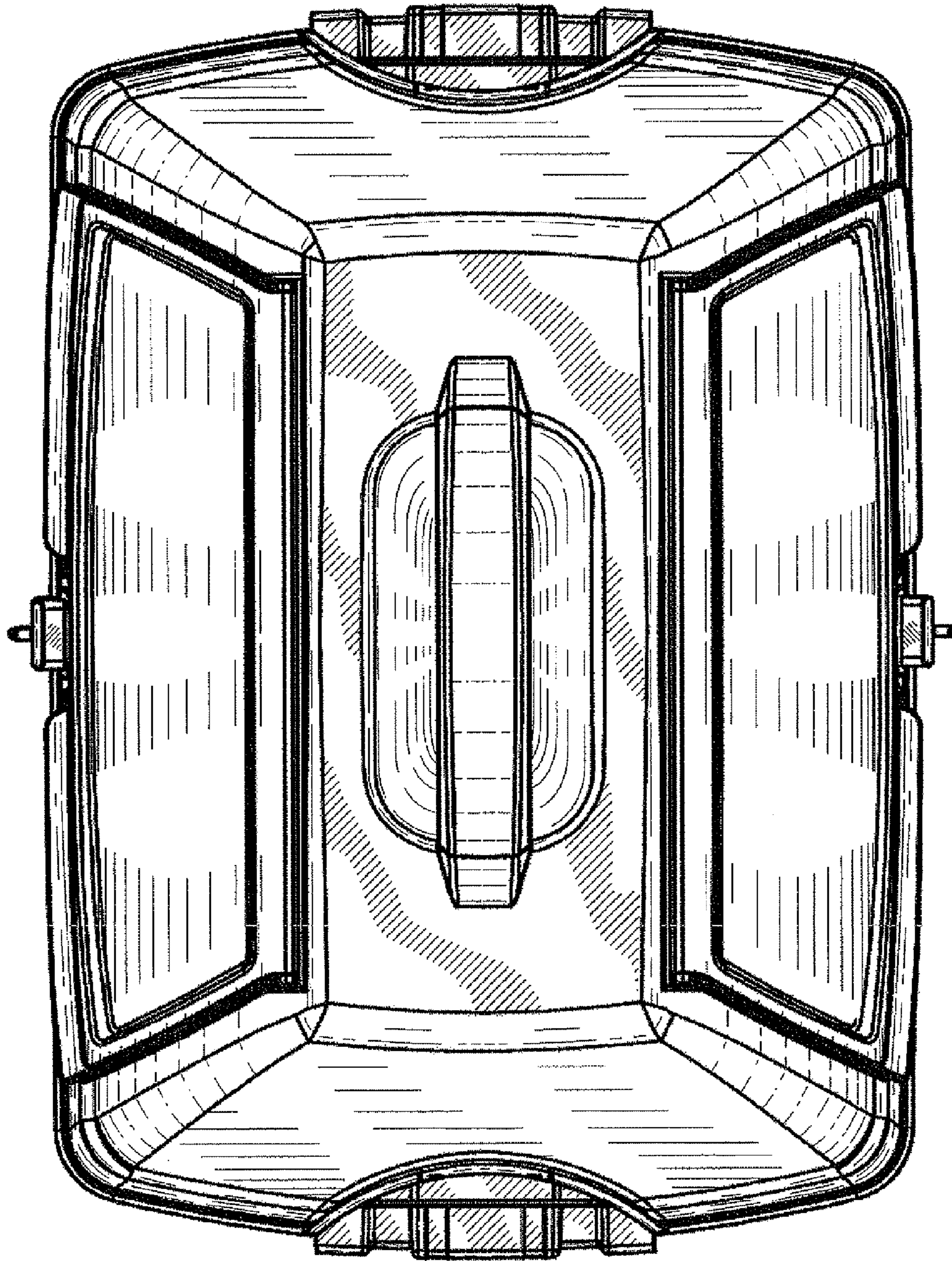


FIG 1

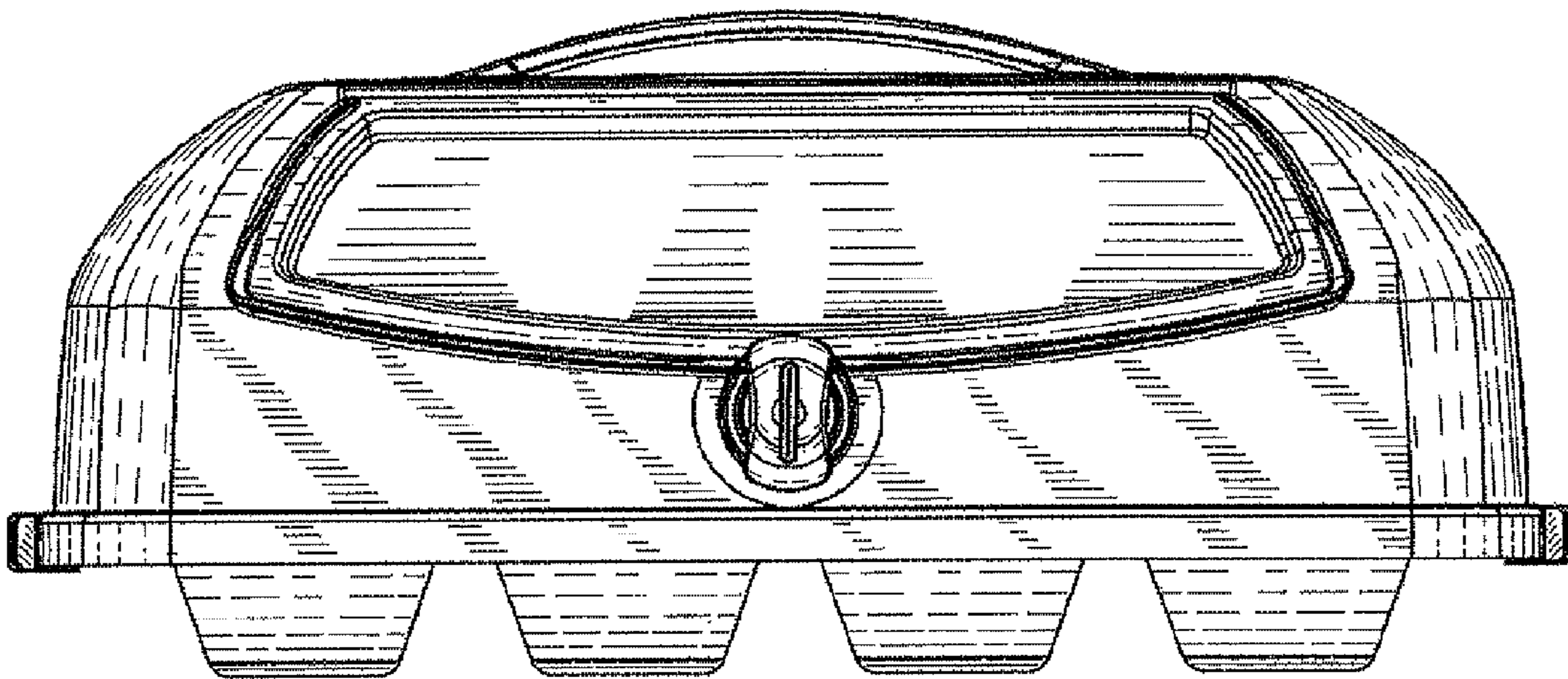


FIG 2

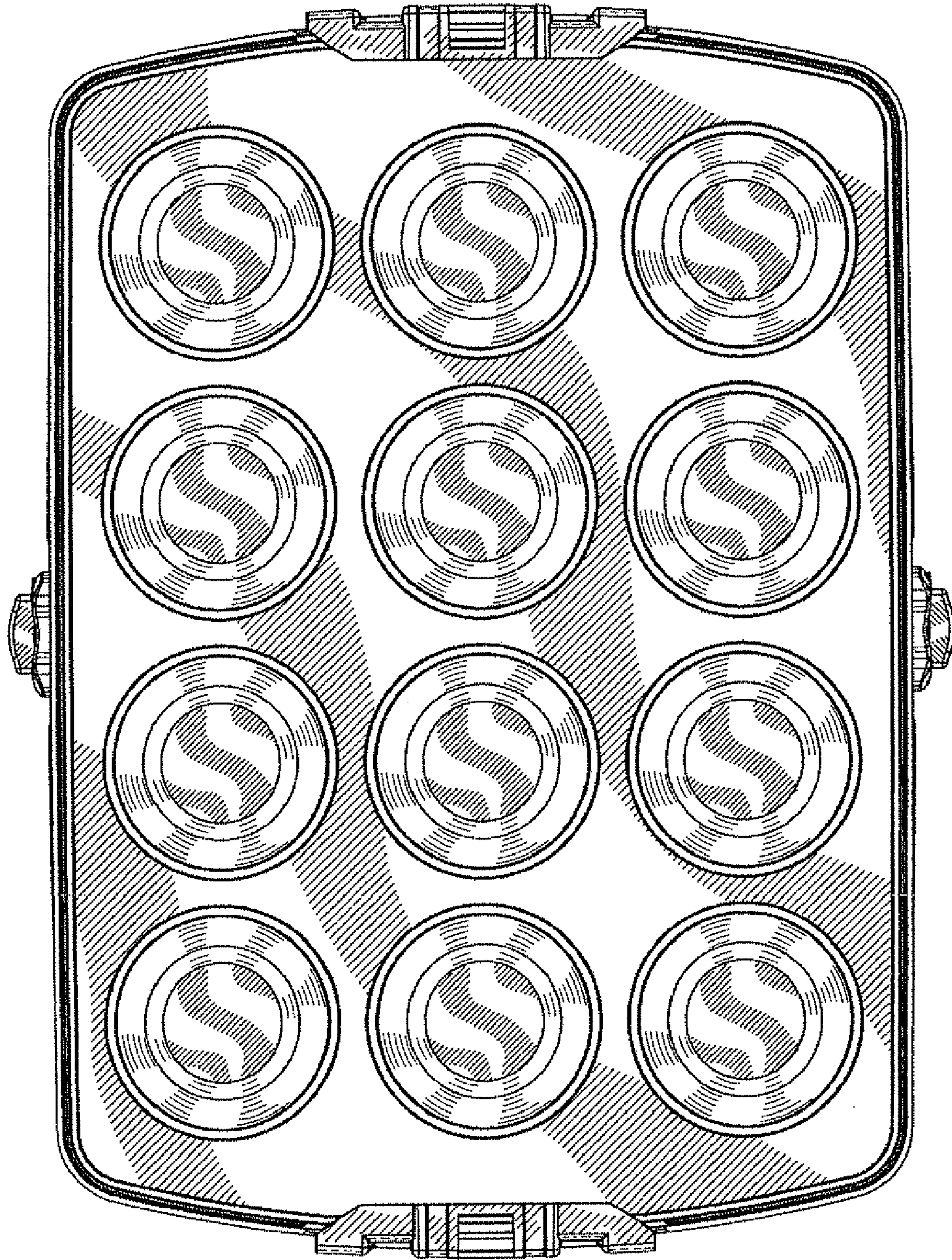


FIG 3

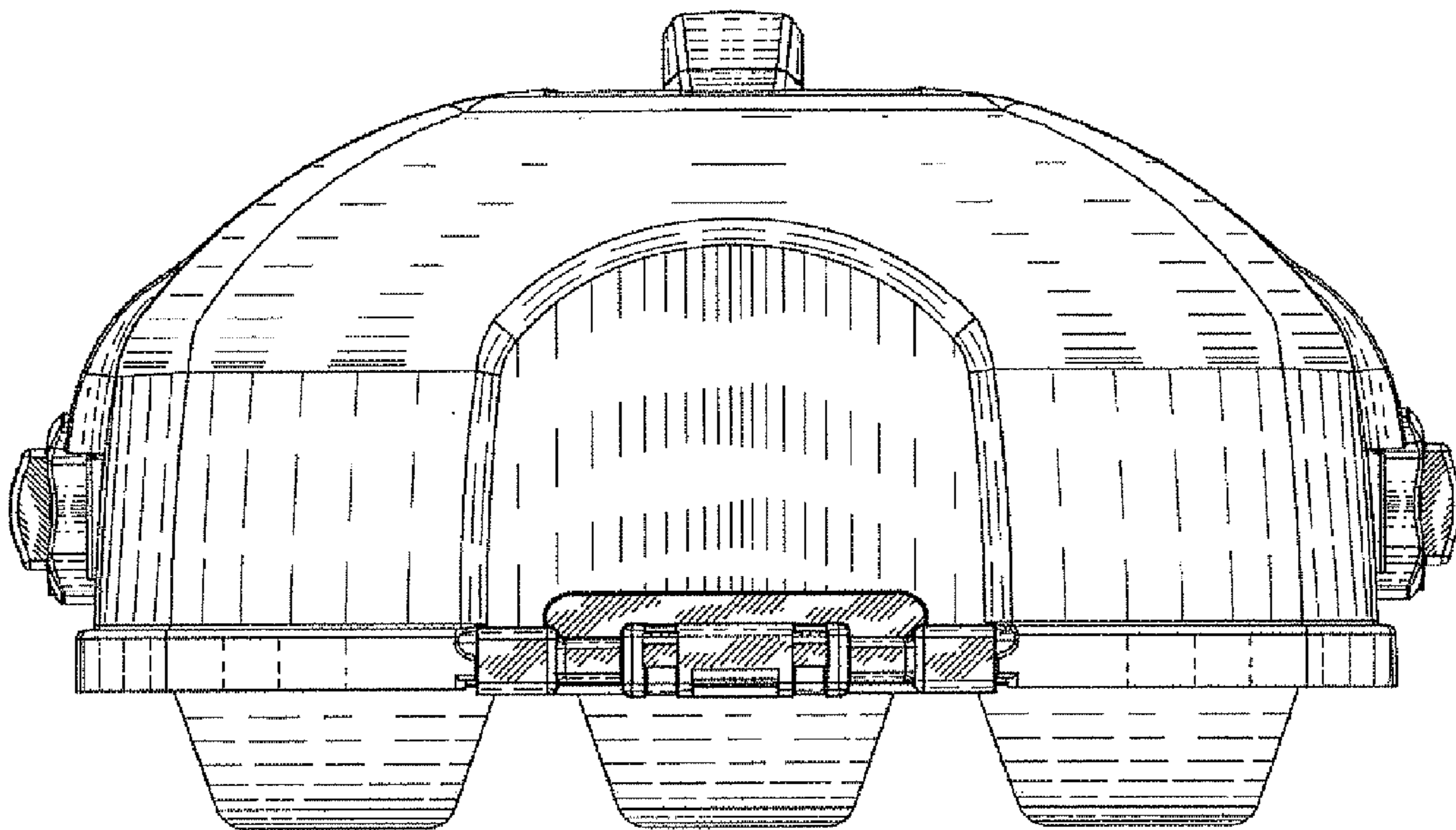


FIG 4

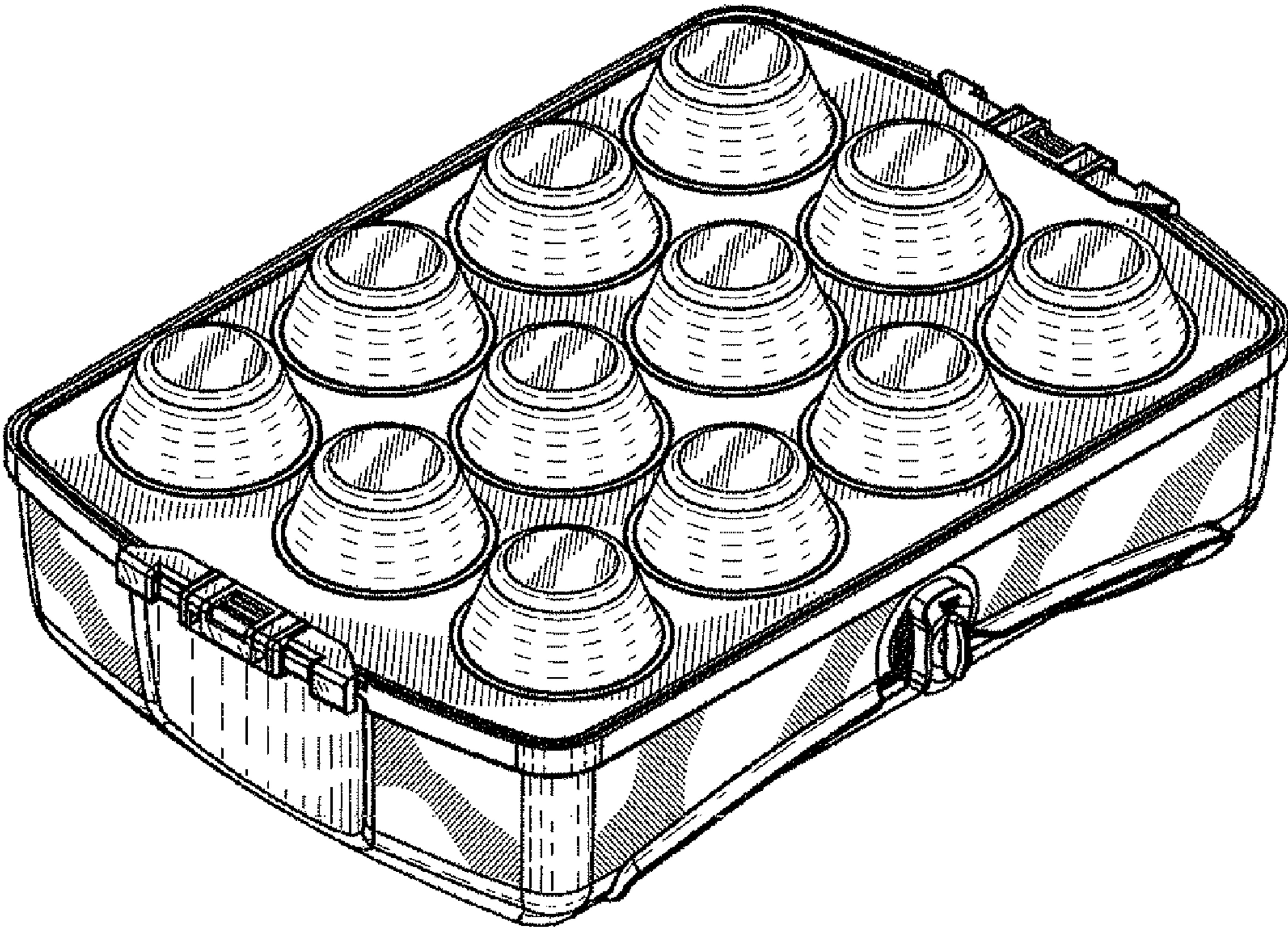


FIG 5

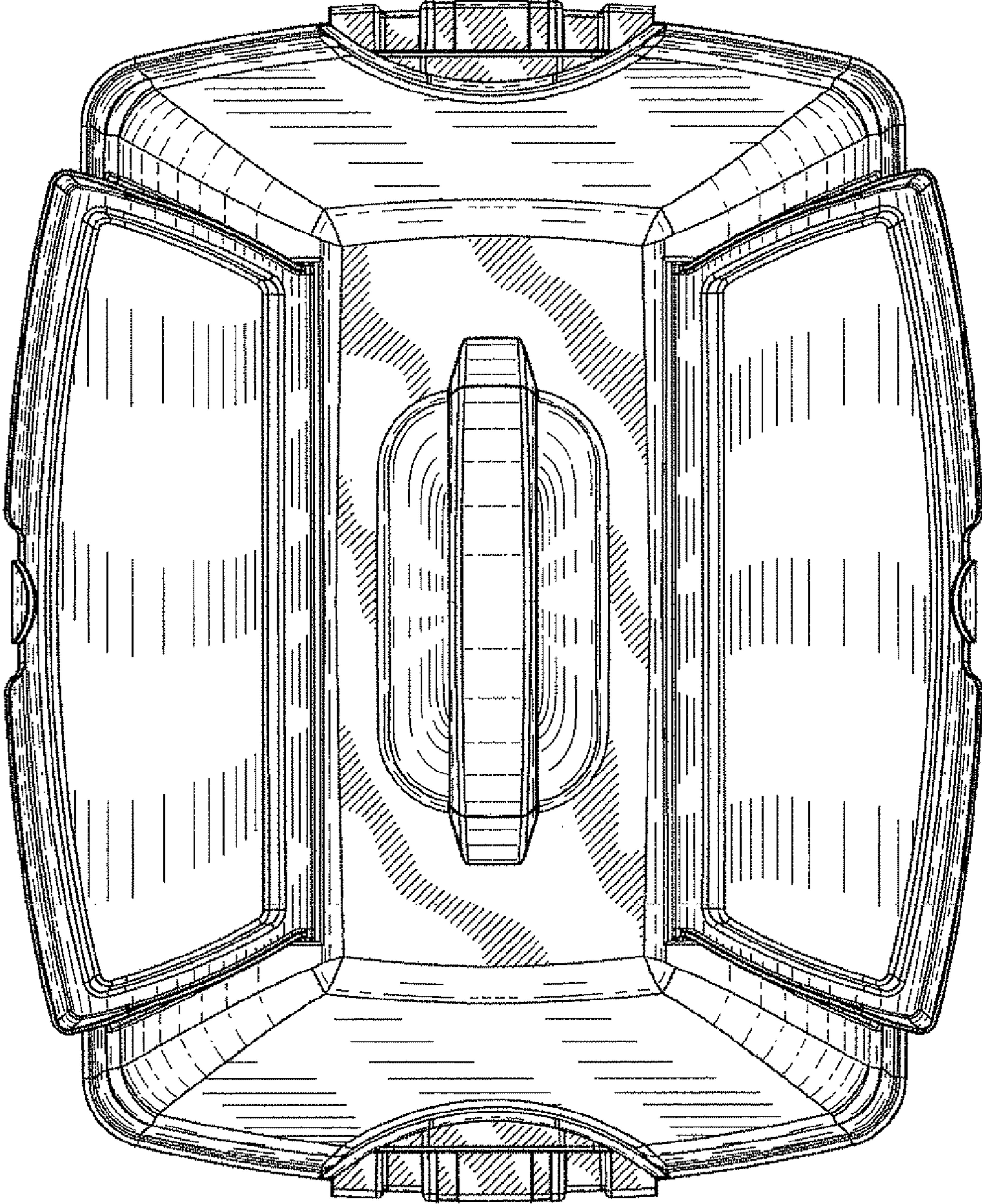


FIG 6

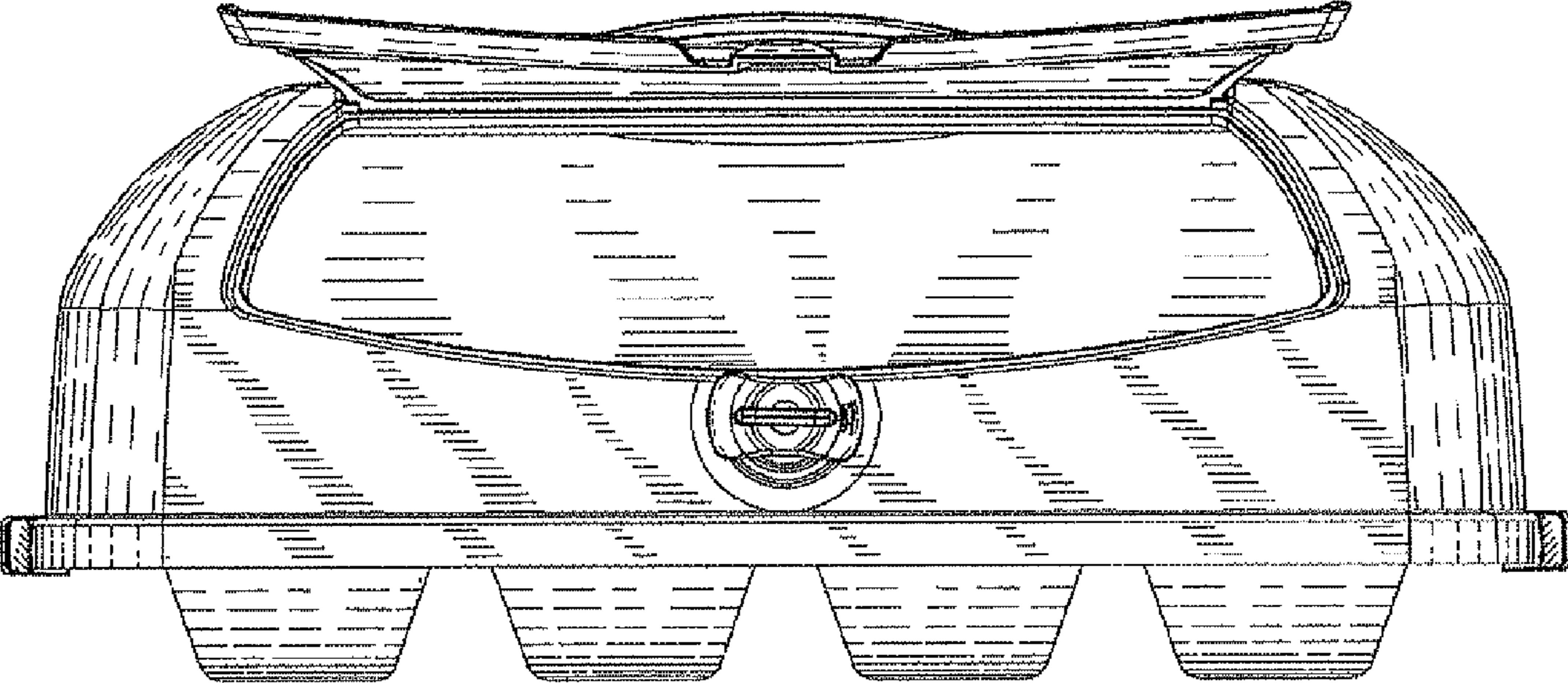


FIG 7

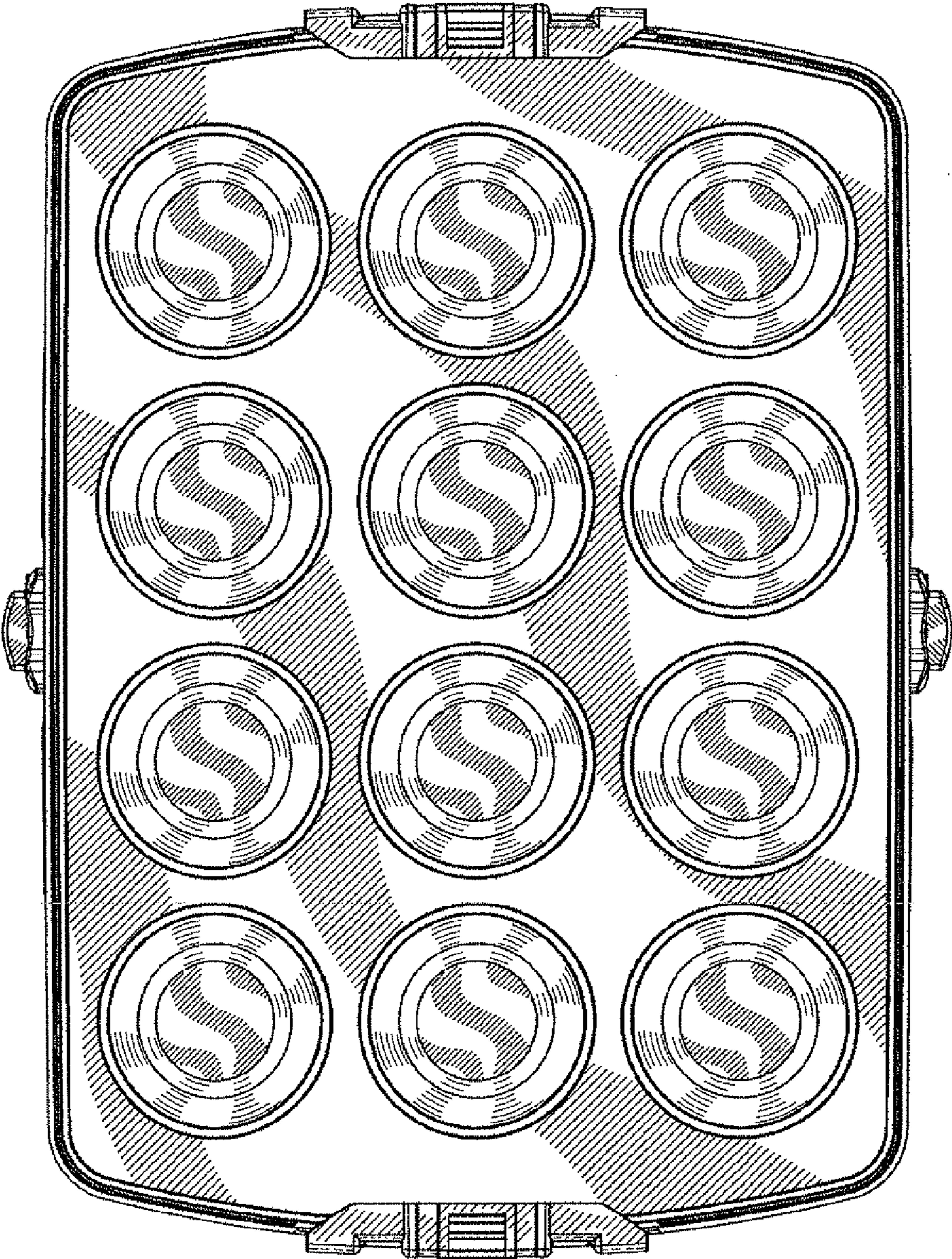


FIG 8

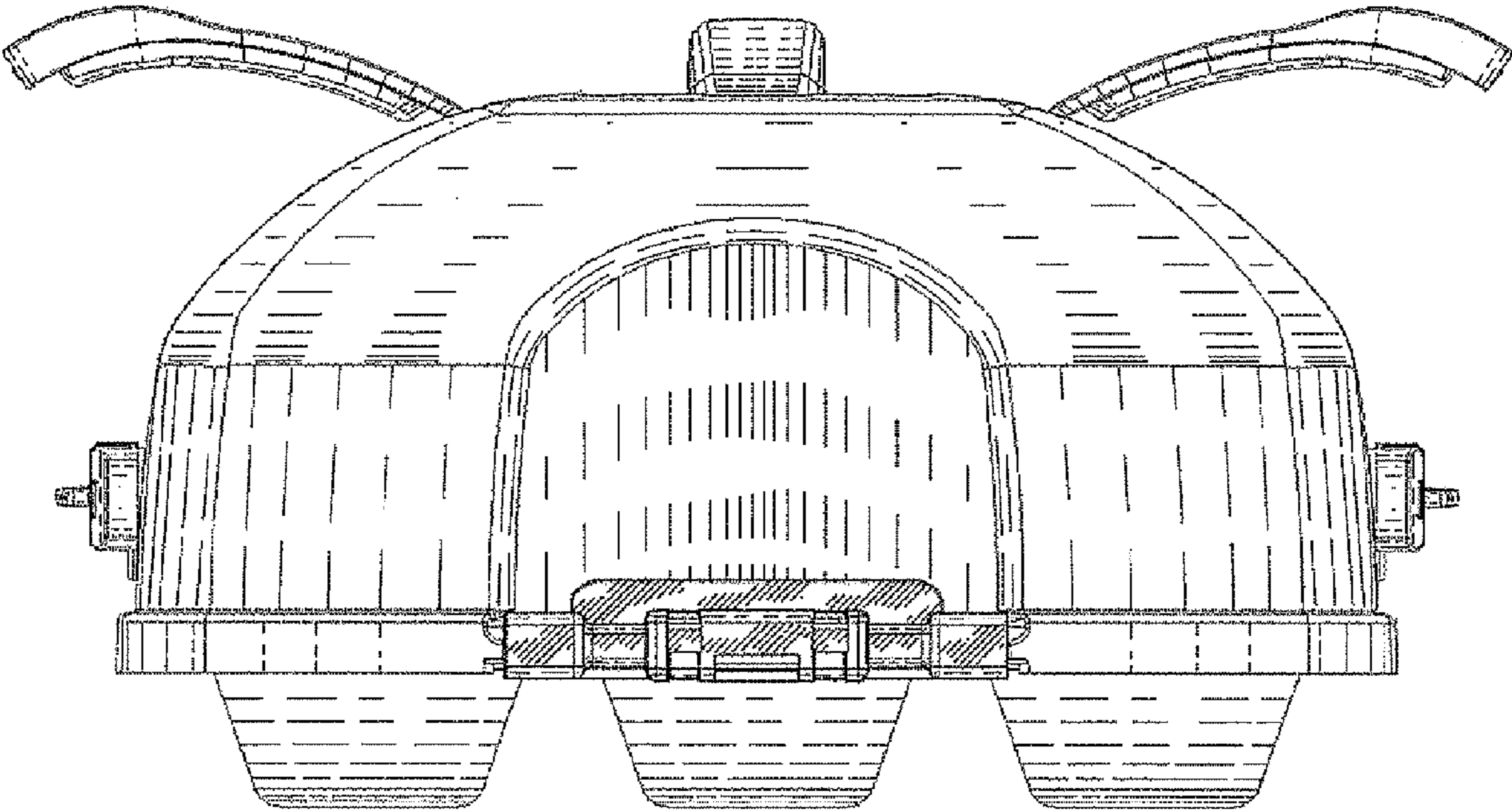


FIG 9

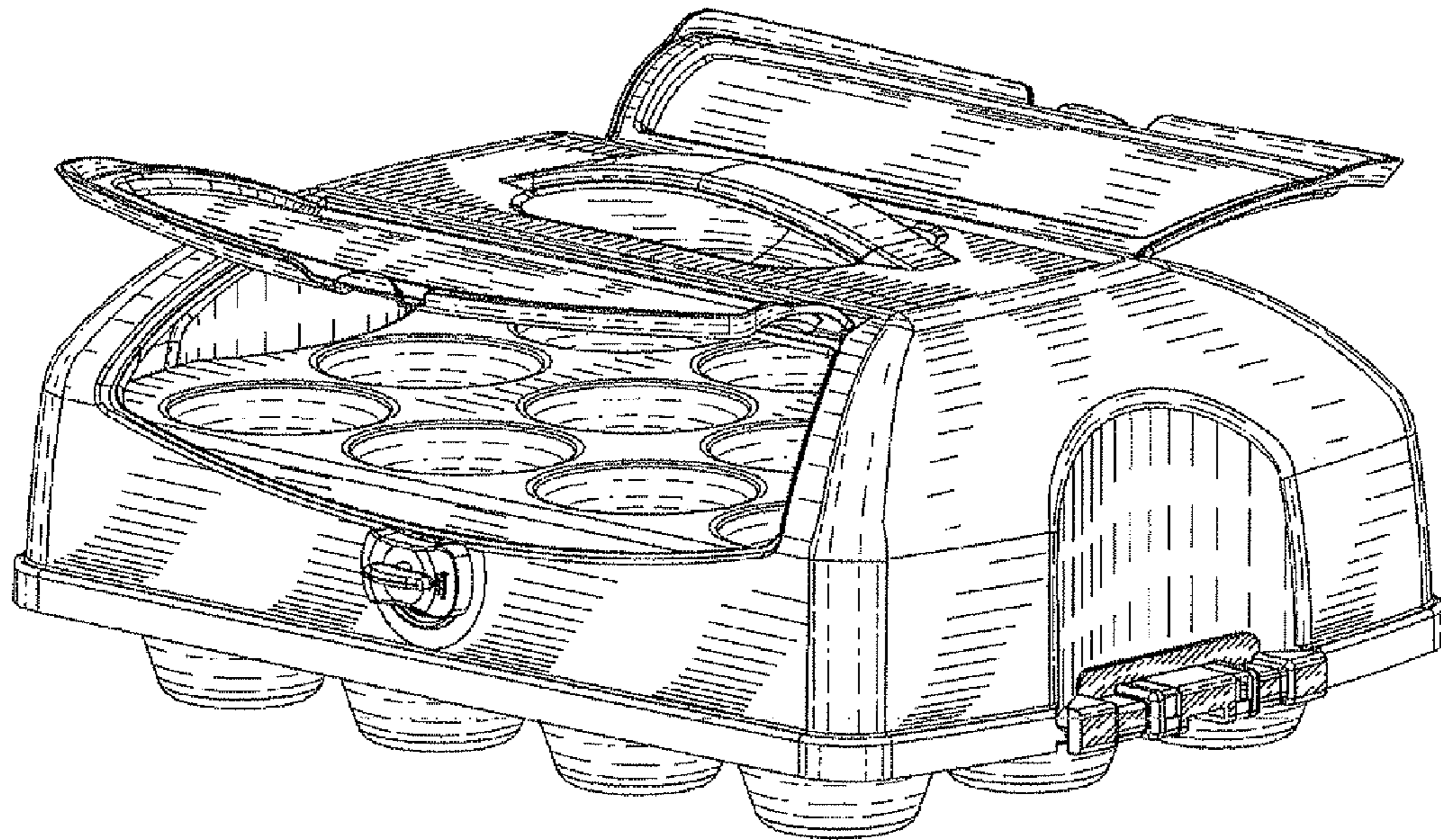


FIG 10