

US00D659476S

(12) **United States Design Patent**
Guillot

(10) **Patent No.:** **US D659,476 S**

(45) **Date of Patent:** **** May 15, 2012**

(54) **GLASS**

(75) Inventor: **Jean-Michel Guillot**, Paris (FR)

(73) Assignee: **Compagnie des Arts de la Table**, Paris (FR)

(**) Term: **14 Years**

(21) Appl. No.: **29/384,522**

(22) Filed: **Jan. 31, 2011**

(30) **Foreign Application Priority Data**

Aug. 2, 2010 (WO) DM/074180

(51) **LOC (9) Cl.** **07-01**

(52) **U.S. Cl.** **D7/524**

(58) **Field of Classification Search** D7/524,
D7/527, 537; 215/372, 374; 206/499; 220/703
See application file for complete search history.

(56) **References Cited**

U.S. PATENT DOCUMENTS

D44,204 S *	6/1913	Hunter	D7/524
D74,401 S *	2/1928	Venon	D7/524
D77,673 S *	2/1929	Cobel	D7/524
D137,211 S *	2/1944	Uhrmann	D7/524
D154,729 S *	8/1949	Smith	D7/524

3,289,829 A *	12/1966	Donahue	206/426
D278,592 S *	4/1985	Seibel	D7/527
D278,780 S *	5/1985	Seibel	D7/527
D278,962 S *	5/1985	Seibel	D7/527
D283,611 S *	4/1986	Kingsley	D12/191
D283,659 S *	5/1986	Blake et al.	D7/524
D284,154 S *	6/1986	Blake et al.	D7/524
D449,202 S *	10/2001	Schmidt	D7/322
6,741,150 B2 *	5/2004	Holmes et al.	335/207
D495,210 S *	8/2004	Rosow	D7/524
D544,652 S *	6/2007	Nylen et al.	D30/125
D560,436 S *	1/2008	Mangano	D7/524
D621,662 S *	8/2010	Karaca	D7/537

* cited by examiner

Primary Examiner — Marianne Pandozzi

(74) *Attorney, Agent, or Firm* — Foley & Lardner LLP

(57) **CLAIM**

I claim the ornamental design for a glass, as shown and described.

DESCRIPTION

FIG. 1 is a top front perspective view of a glass showing my new design;

FIG. 2 is a side elevational view thereof;

FIG. 3 is a top plan view thereof; and,

FIG. 4 is a bottom plan view thereof.

1 Claim, 3 Drawing Sheets

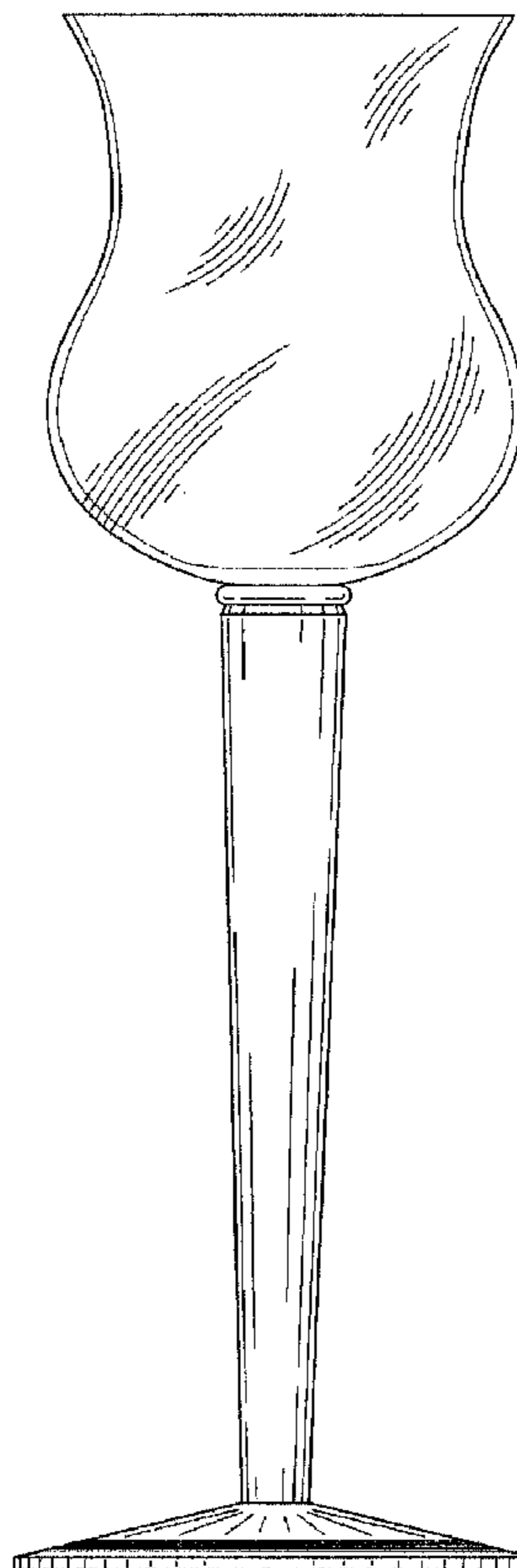
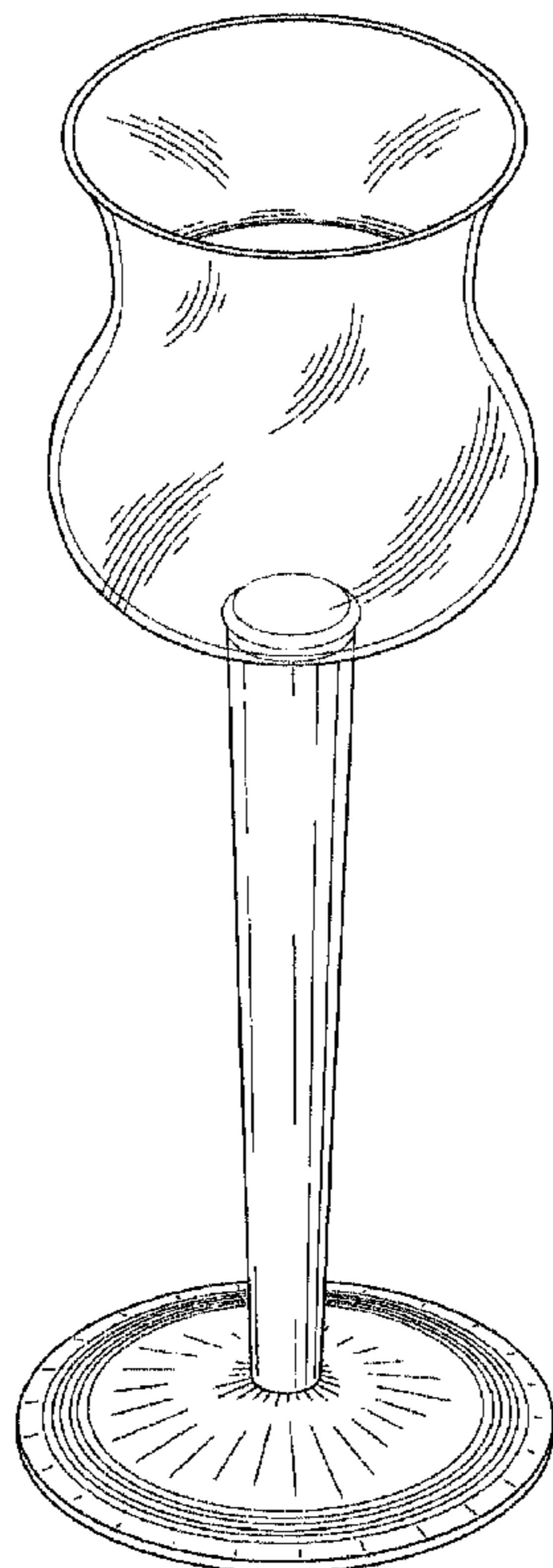
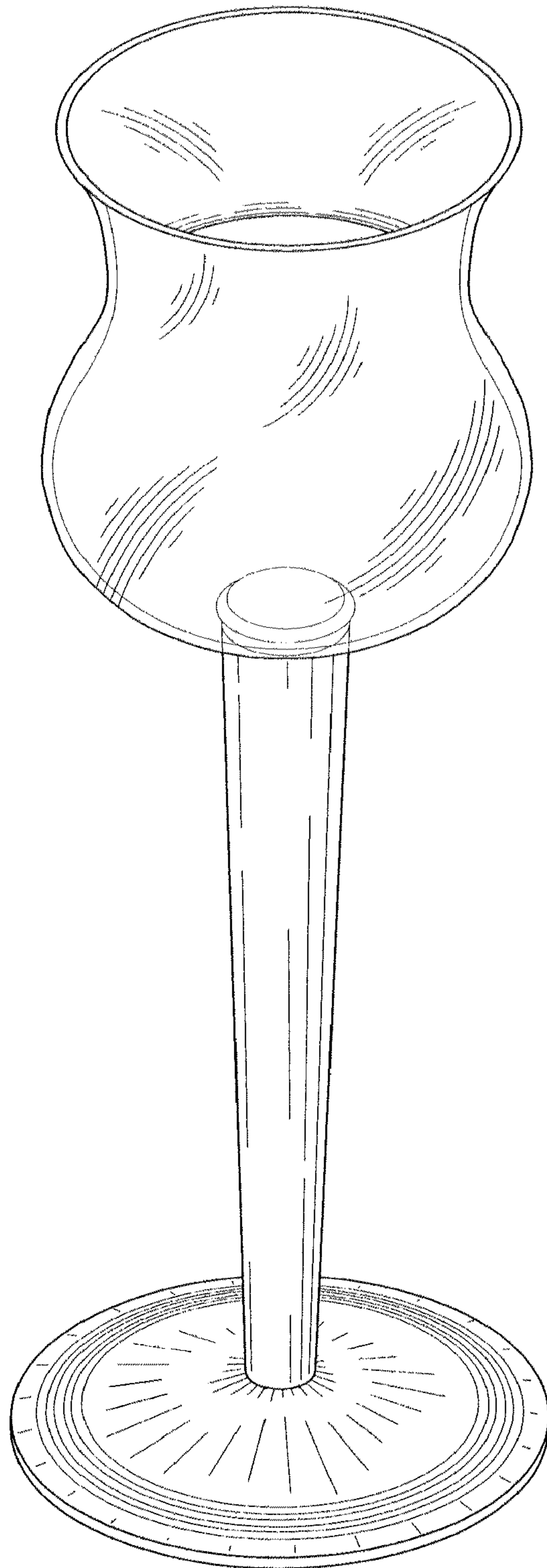


Fig. 1



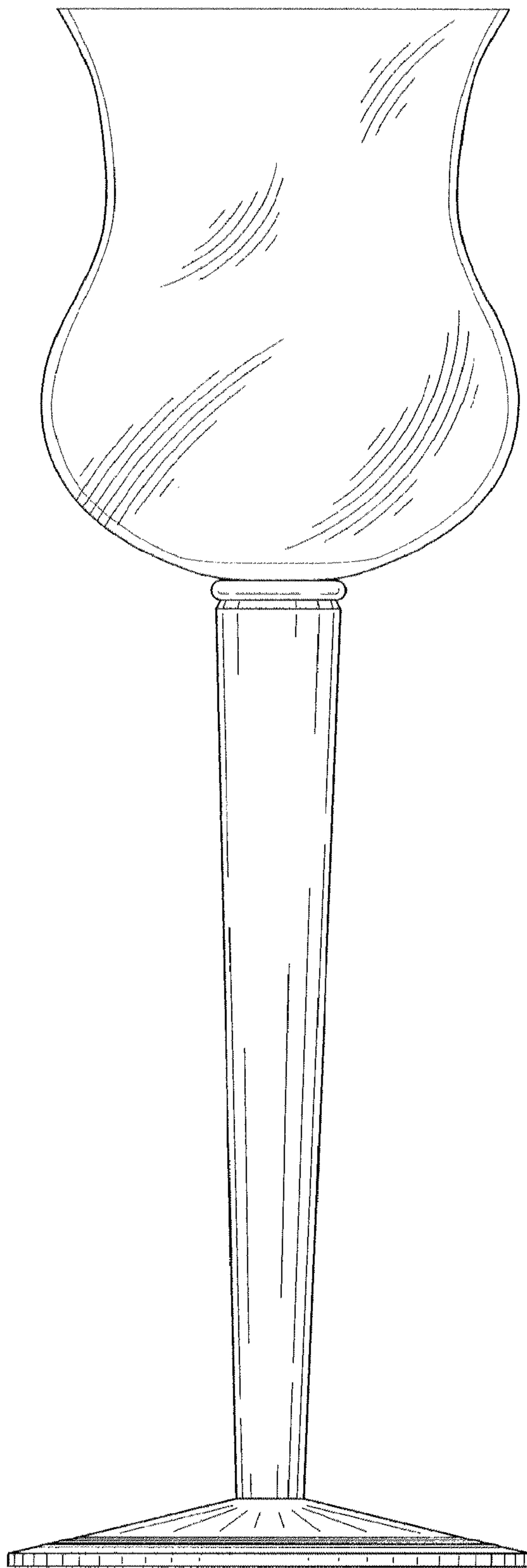


Fig. 2

Fig. 3

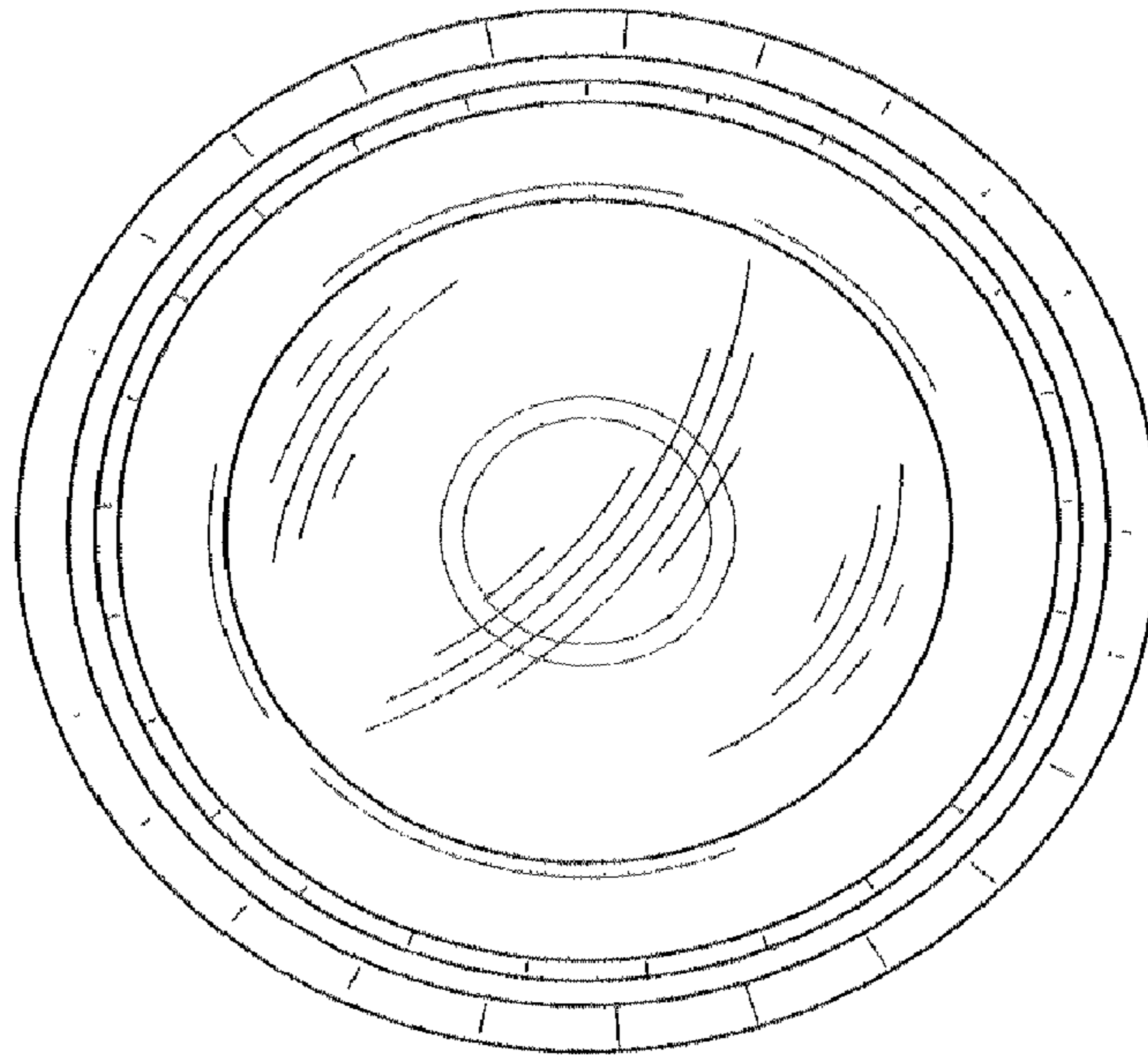


Fig. 4

