



US00D659475S

(12) **United States Design Patent**
Fawcett

(10) **Patent No.:** **US D659,475 S**

(45) **Date of Patent:** **** May 15, 2012**

(54) **CHILD'S DRINKING CONTAINER**

(76) Inventor: **Bradley Fawcett**, Newbury, OH (US)

(**) Term: **14 Years**

(21) Appl. No.: **29/403,936**

(22) Filed: **Oct. 12, 2011**

Related U.S. Application Data

(62) Division of application No. 29/377,375, filed on Oct. 20, 2010, now Pat. No. Des. 649,404.

(51) **LOC (9) Cl.** **07-01**

(52) **U.S. Cl.** **D7/515; D21/411; D7/510; D24/198**

(58) **Field of Classification Search** **D7/514, D7/515, 510, 511, 533, 536; D24/198; D21/411; D9/665; 220/DIG. 13, 703; 215/382**
See application file for complete search history.

(56) **References Cited**

U.S. PATENT DOCUMENTS

D21,736 S *	7/1892	Thuemler	D9/665
D120,672 S *	5/1940	Harris	D9/665
D165,946 S *	2/1952	Thompson	D21/411
D212,921 S *	12/1968	Bloomberg	D24/198
D247,408 S *	3/1978	Ventura	D7/515
D264,416 S *	5/1982	Urda et al.	D7/515
D264,417 S *	5/1982	Urda et al.	D7/515
D273,404 S *	4/1984	Takahashi	D21/411
D293,534 S *	1/1988	Bolich	D7/511
D300,402 S *	3/1989	Tardel et al.	D7/515
D303,431 S *	9/1989	Brown	D24/198
D310,568 S *	9/1990	Chapin	D24/198
D318,921 S *	8/1991	Chapin	D24/198

D326,158 S *	5/1992	Katz et al.	D24/198
D428,656 S *	7/2000	Alexander et al.	D24/197
6,439,419 B1 *	8/2002	Darabi	220/703
D489,785 S *	5/2004	Kim	D21/812
D567,024 S *	4/2008	Yeh	D7/515
D609,968 S *	2/2010	Stern	D7/510
D649,404 S *	11/2011	Fawcett	D7/515

* cited by examiner

Primary Examiner — Marianne Pandozzi

(74) *Attorney, Agent, or Firm* — Ulmer & Berne LLP

(57) **CLAIM**

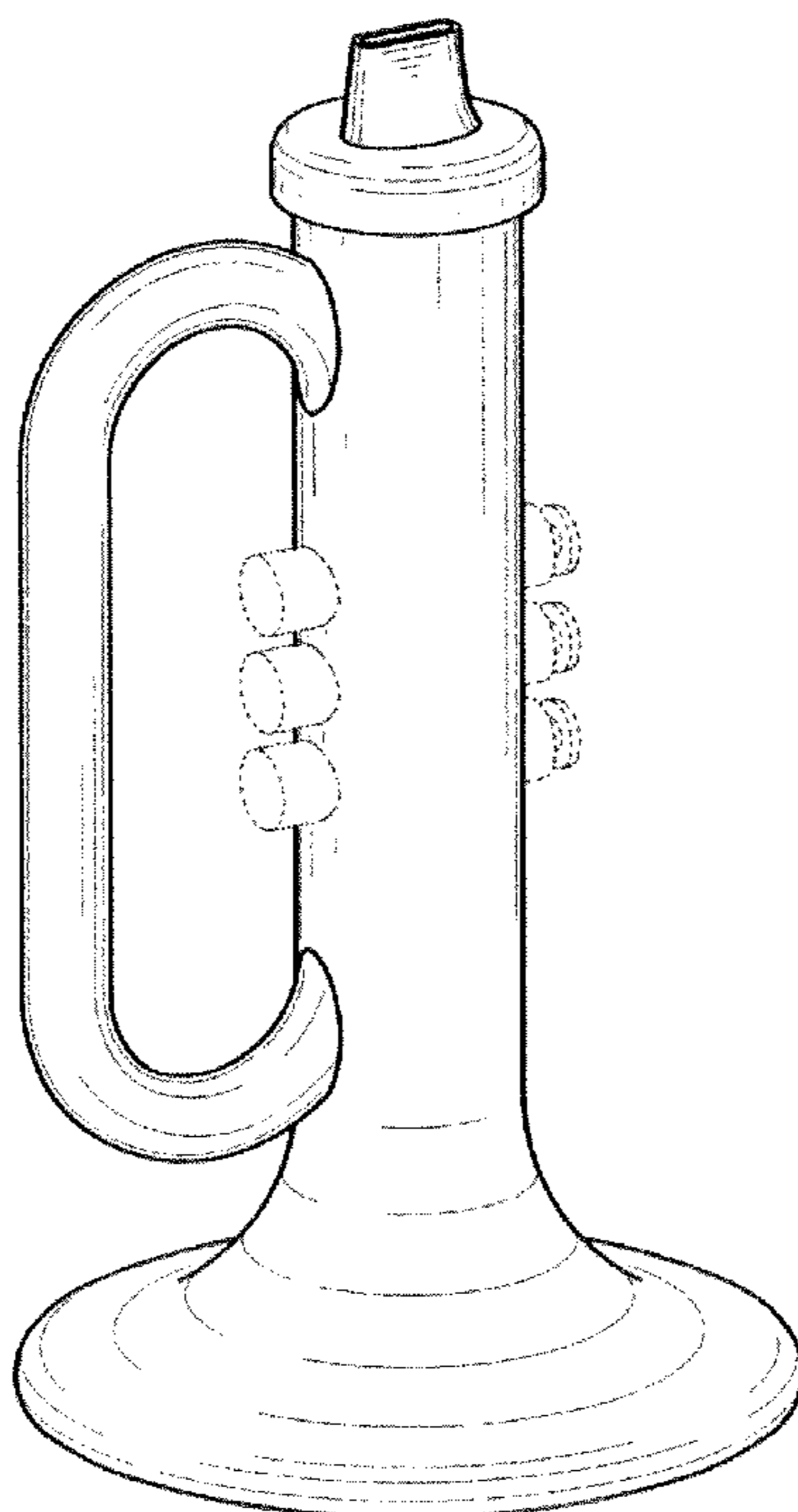
The ornamental design for a child's drinking container, as shown and described.

DESCRIPTION

FIG. 1 is a perspective view of a child's drinking container showing my new design; FIG. 2 is a right-side elevation view of the child's drinking container of FIG. 1; FIG. 3 is a left-side elevation view of the child's drinking container of FIG. 1; FIG. 4 is a front elevation view of the child's drinking container of FIG. 1; FIG. 5 is a rear elevation view of the child's drinking container of FIG. 1; FIG. 6 is a bottom plan view of the child's drinking container of FIG. 1; and, FIG. 7 is a top view of the child's drinking container of FIG. 1.

The broken lines in the drawings are included for the purposes of illustration and form no part of the claimed design.

1 Claim, 3 Drawing Sheets



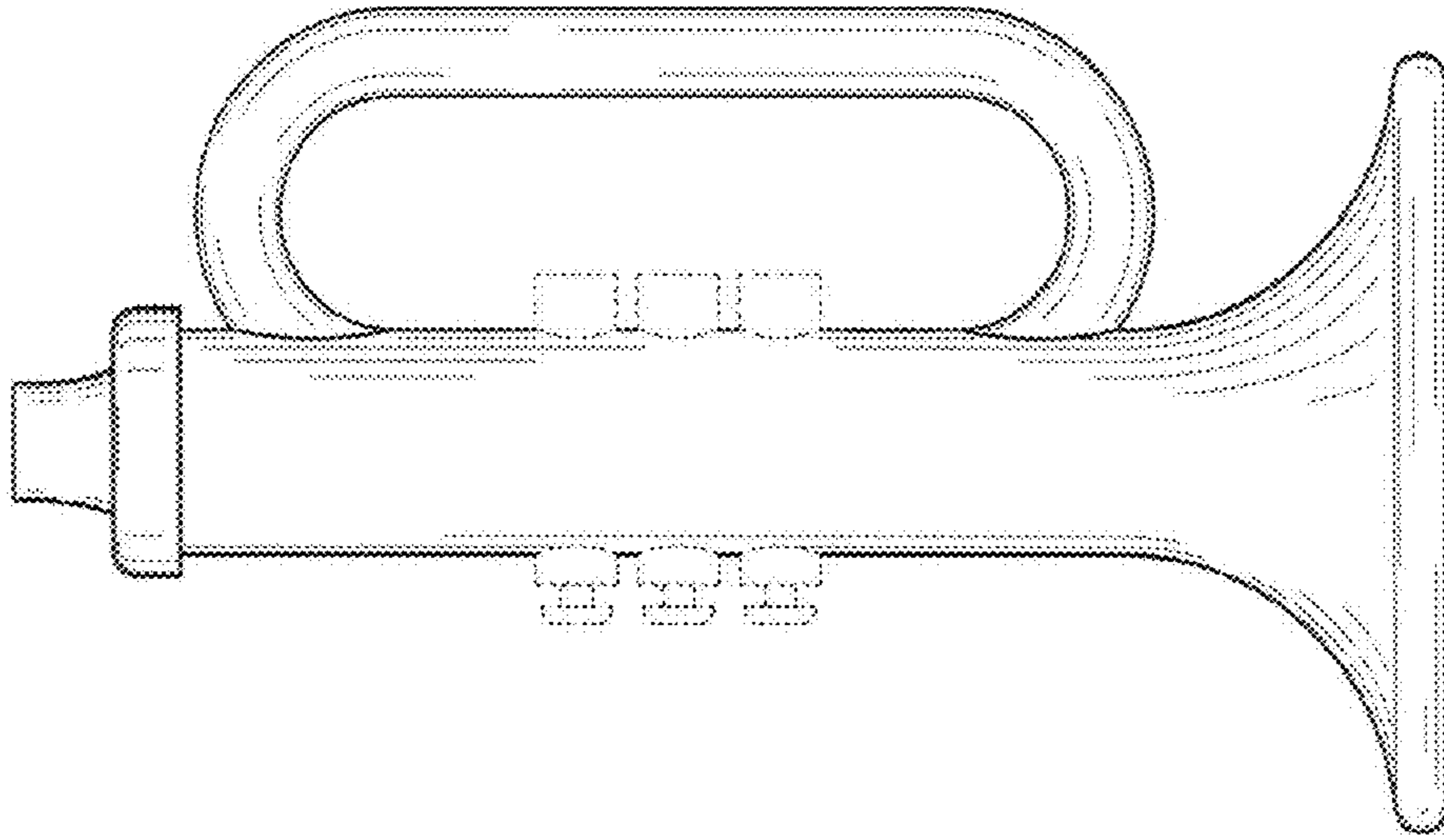


Fig. 3

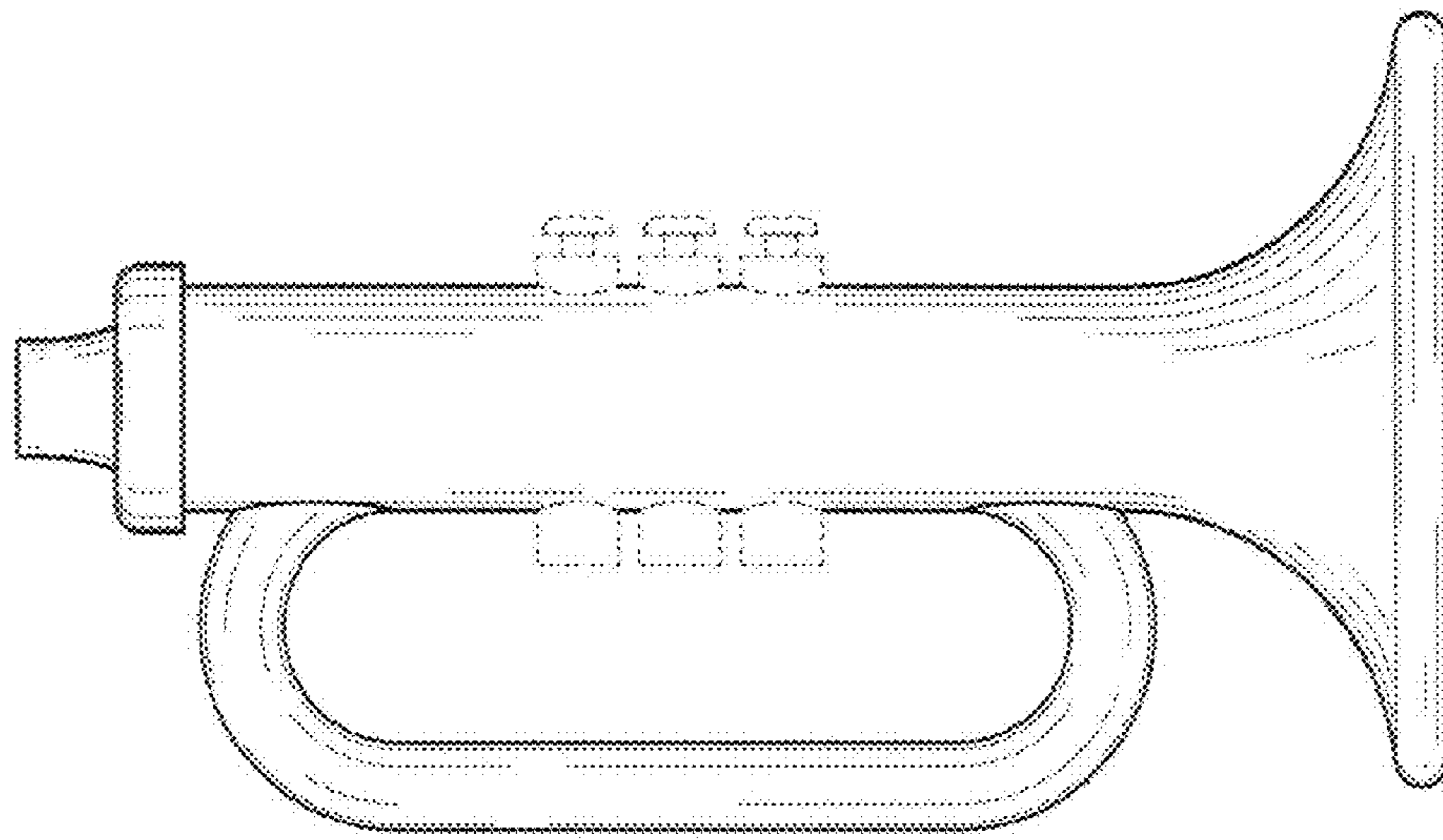


Fig. 2

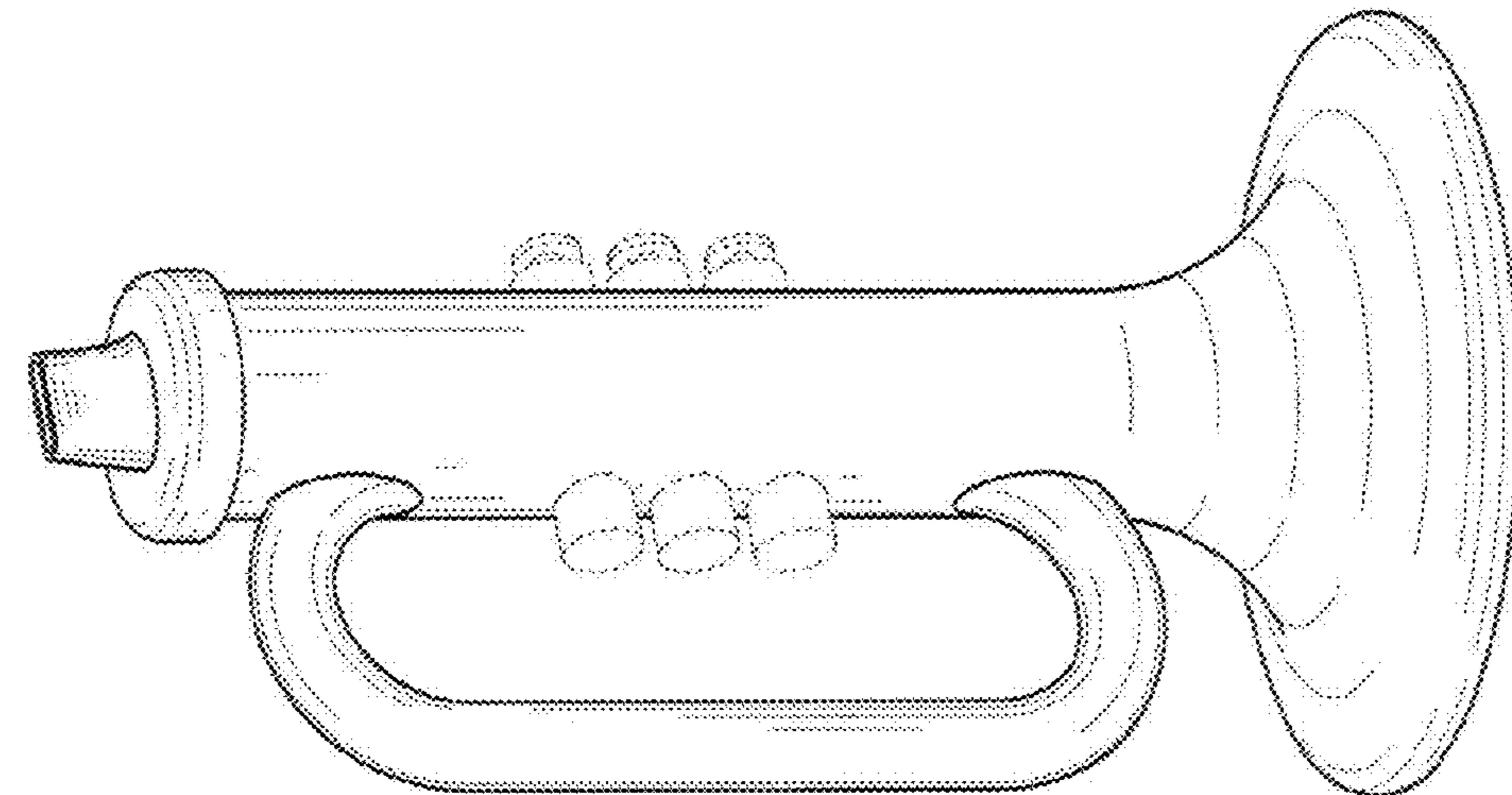


Fig. 1

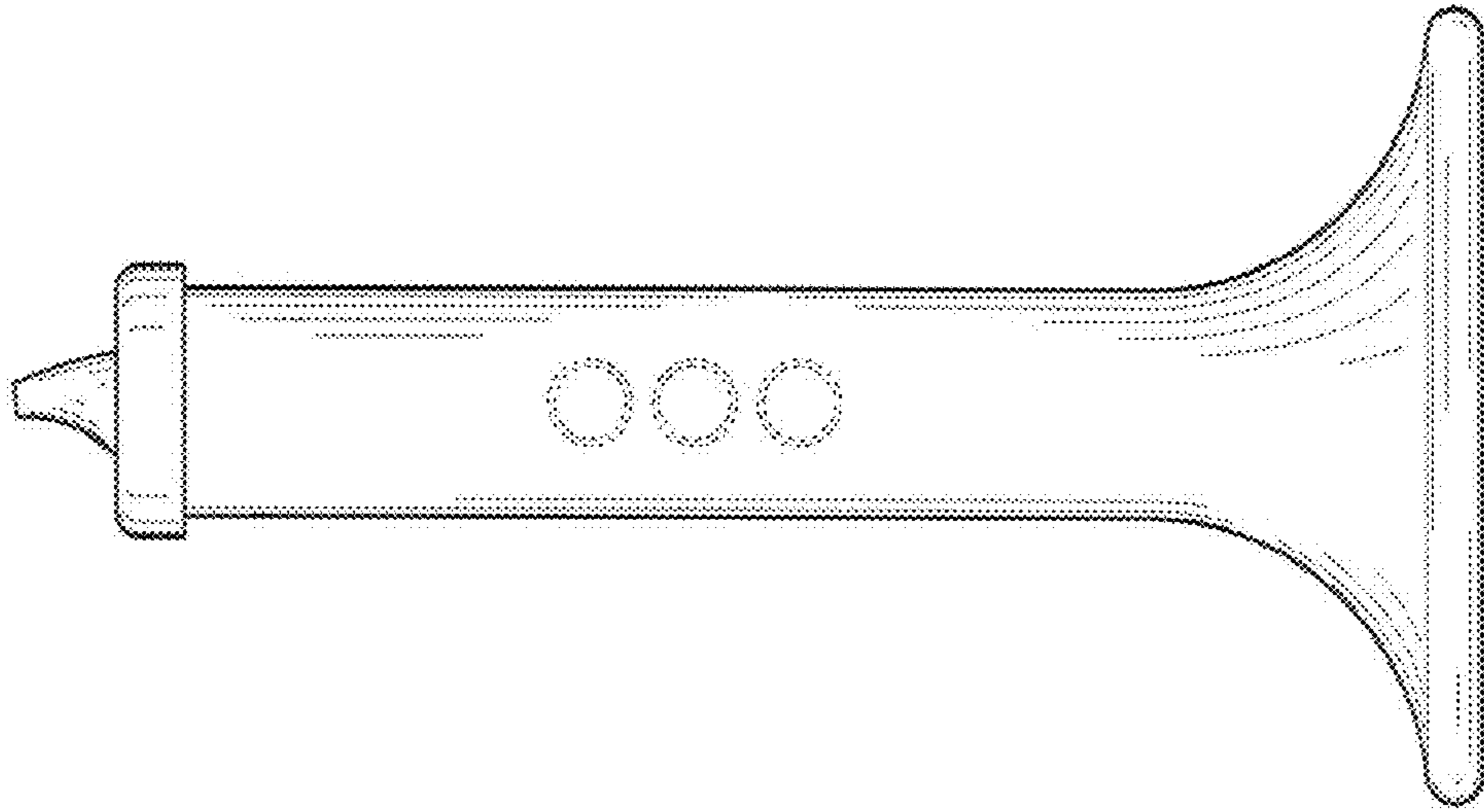


Fig. 5

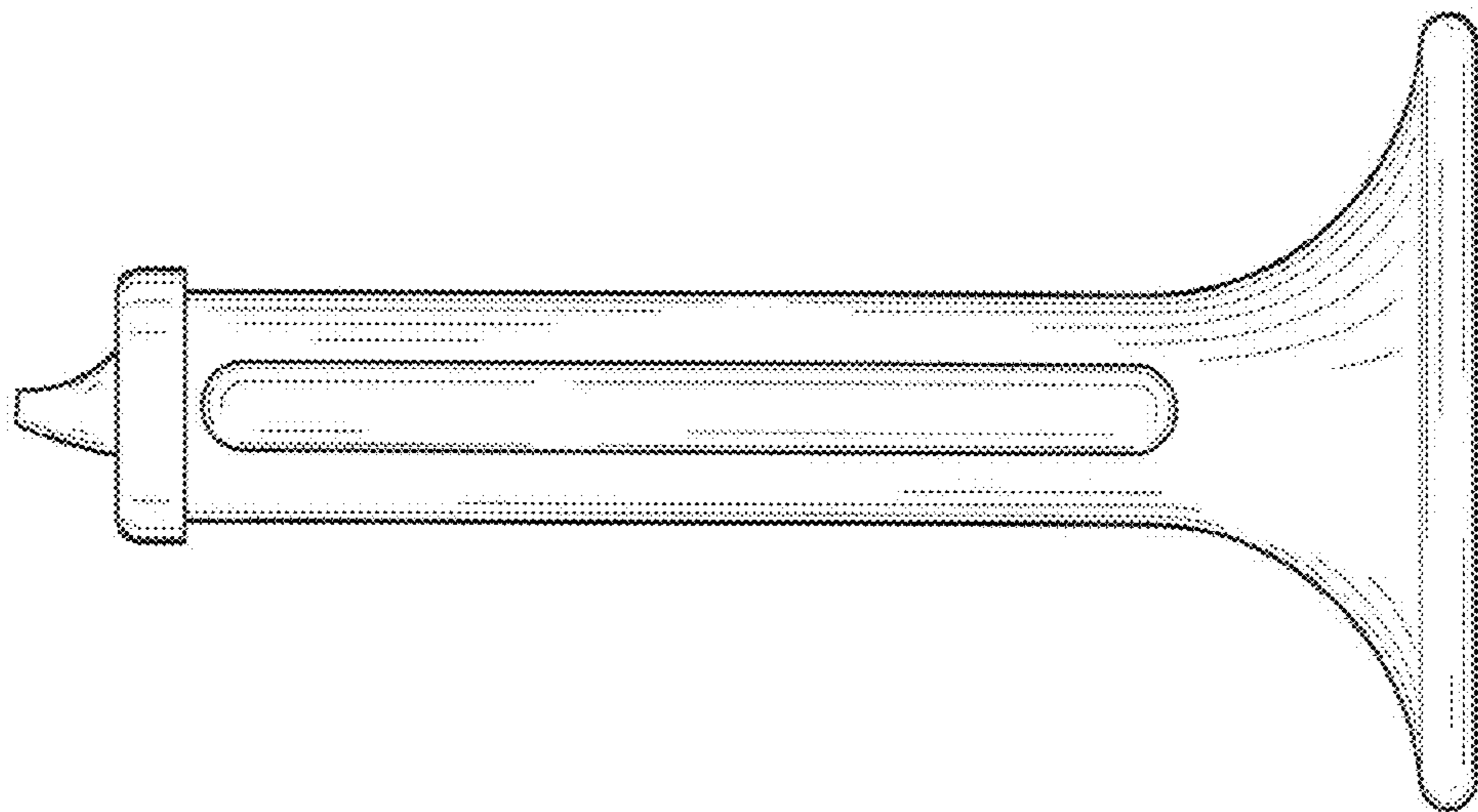


Fig. 4

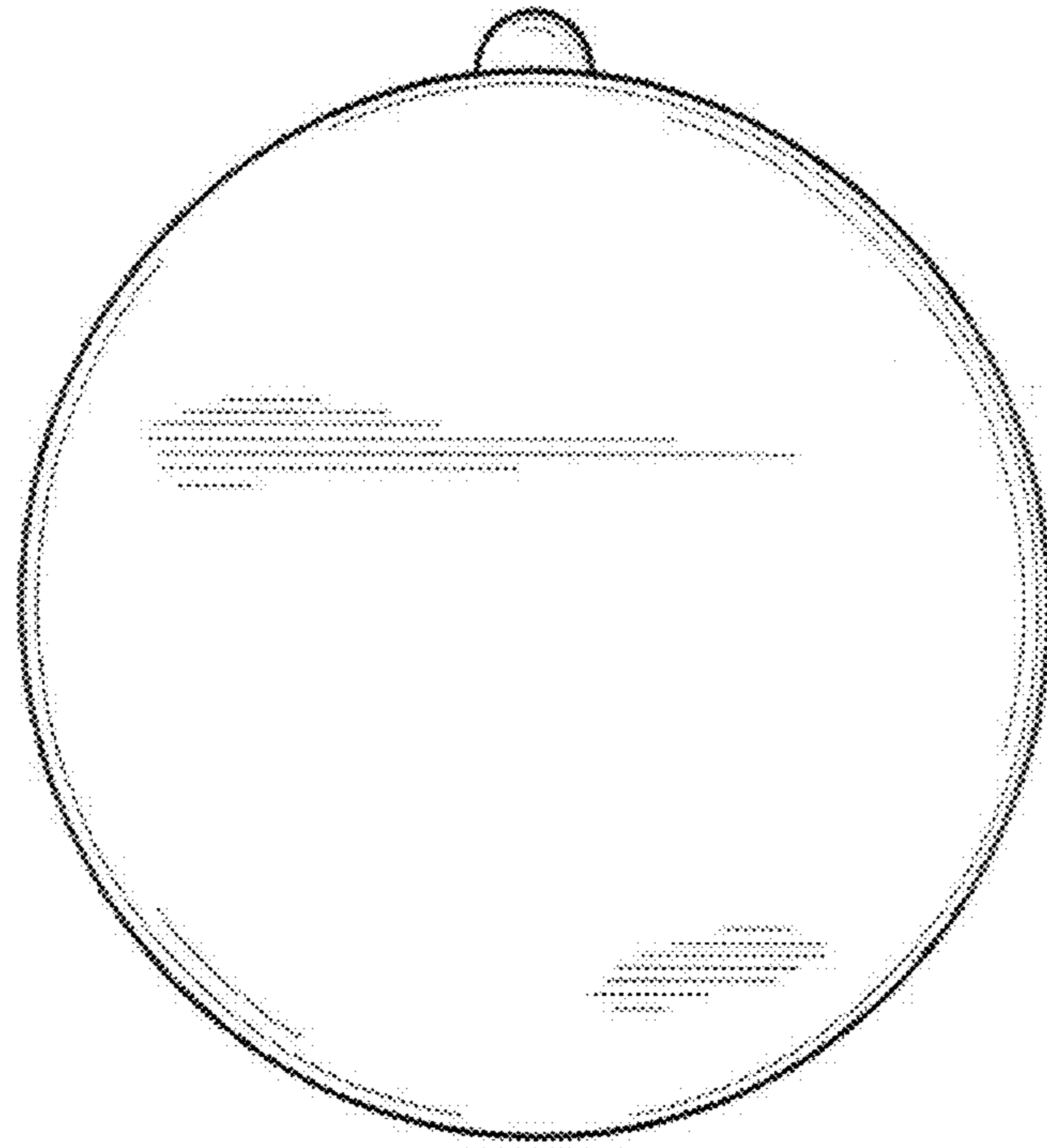


Fig. 6

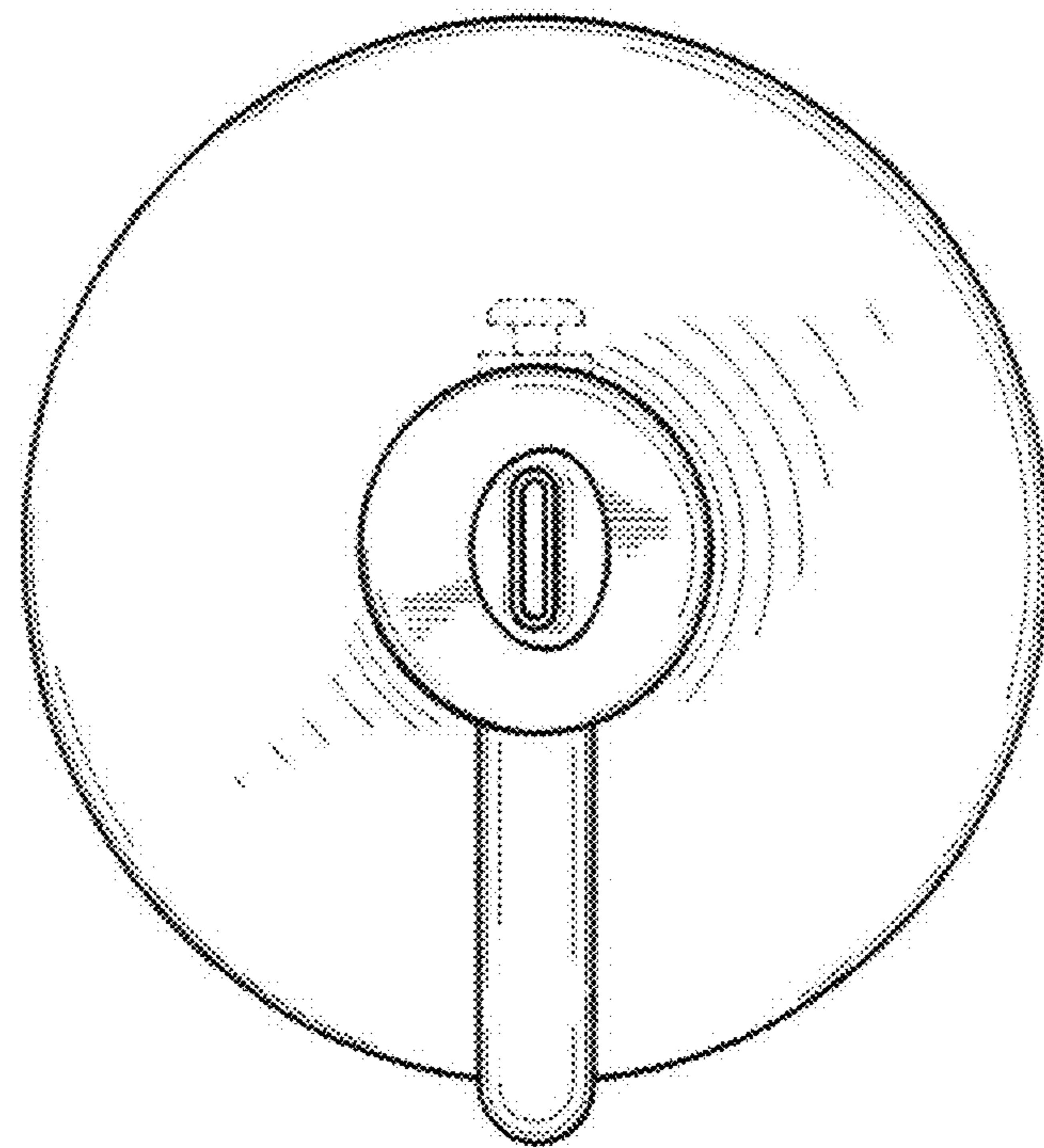


Fig. 7