



US00D659473S

(12) **United States Design Patent**  
**Ghiassi**

(10) **Patent No.:** **US D659,473 S**

(45) **Date of Patent:** **\*\* May 15, 2012**

(54) **WATER BOTTLE WITH HYGIENIC  
FILTRATION**

D638,658 S \* 5/2011 Staton ..... D7/392  
D651,466 S \* 1/2012 Forsyth ..... D7/510  
D651,852 S \* 1/2012 George ..... D7/510

\* cited by examiner

(76) Inventor: **Mohssen Ghiassi**, Kentfield, CA (US)

*Primary Examiner* — Marianne Pandozzi

(\*\*) Term: **14 Years**

(57) **CLAIM**

(21) Appl. No.: **29/373,410**

I claim the ornamental design for a water bottle with hygienic filtration, as shown.

(22) Filed: **Apr. 6, 2011**

**DESCRIPTION**

(51) **LOC (9) Cl.** ..... **07-01**

(52) **U.S. Cl.** ..... **D7/510; D7/511; D7/531**

(58) **Field of Classification Search** ..... D7/532,  
D7/523, 507, 509, 510, 511, 608, 531, 413,  
D7/392.1; D9/502, 503, 530, 525, 538, 443,  
D9/446, 447; 220/703, 715-717, 592.27,  
220/592.16, 592.17; 215/12.1, 11.1, 13.1;  
D23/209; 210/466, 120, 85

See application file for complete search history.

FIG. 1 is a perspective view of water bottle with hygienic filtration showing my new design;

FIG. 2 is an exploded perspective view thereof with the ring handle in alternate position;

FIG. 3 is a top perspective view of the water bottle with hygienic filtration with the bottle and filter portions removed for ease of illustration;

FIG. 4 is a top perspective view thereof with the spout in dispensing position;

FIG. 5 is top perspective view thereof;

FIG. 6 is a top perspective view thereof with the spout in closed position and the ring handle in alternated position;

FIG. 7 is a perspective view of the water bottle with hygienic filtration with the lid and the filter removed for ease of illustration showing only the bottle portion.

FIG. 8 is a bottom perspective view thereof;

FIG. 9 is a top perspective view of the water bottle with hygienic filtration with the filter removed for ease of illustration showing only the bottle and the lid;

FIG. 10 is a side perspective view of the water bottle with hygienic filtration with the bottle and lid removed for ease of illustration showing only the filter portion;

FIG. 11 is Top perspective view thereof;

FIG. 12 is a bottom perspective view thereof; and,

FIG. 13 is a perspective view of the water bottle with hygienic filtration with the bottle portion removed for ease of illustration showing the lid and the filter together.

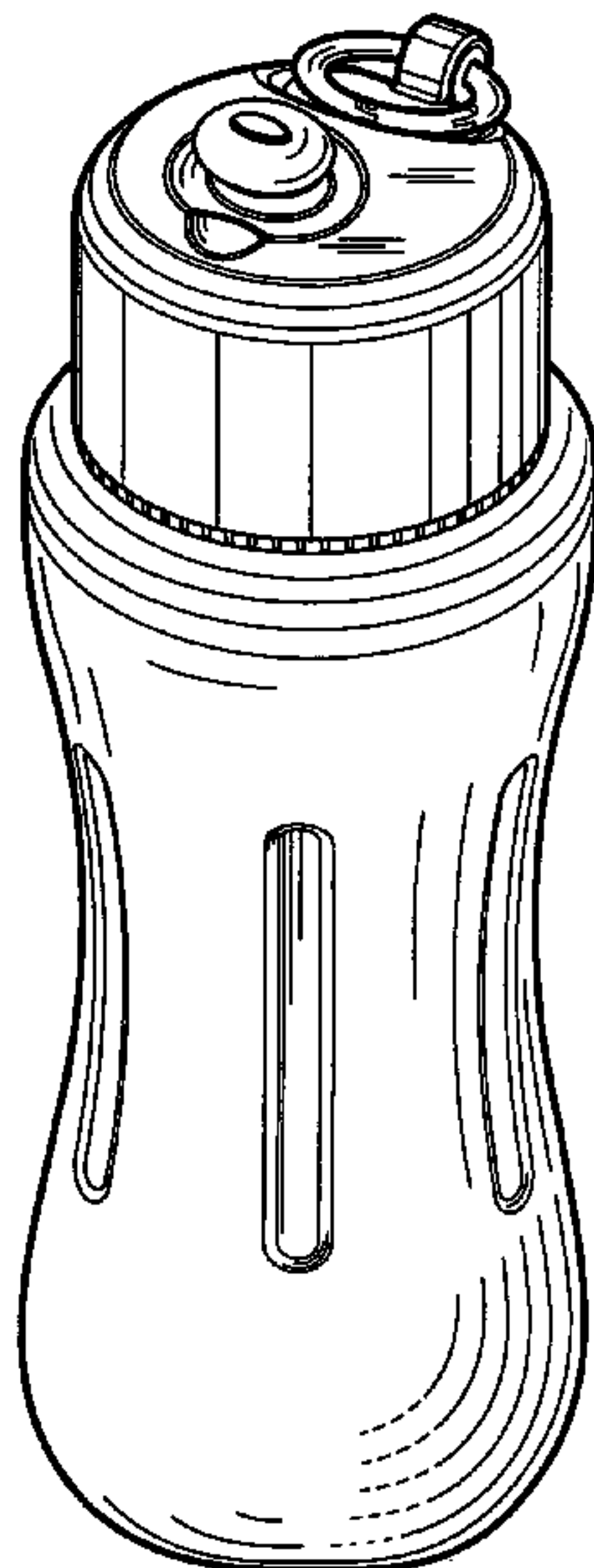
The broken line showing of a strap in FIG. 5 is included for the purpose of illustrating the strap threading hole and forms no part of the claimed design.

(56) **References Cited**

**U.S. PATENT DOCUMENTS**

5,545,315	A *	8/1996	Lonneman	.....	210/120
6,119,888	A *	9/2000	Goto et al.	.....	220/592.27
6,565,743	B1 *	5/2003	Poirier et al.	.....	210/85
6,569,329	B1 *	5/2003	Nohren, Jr.	.....	210/282
6,722,514	B2 *	4/2004	Renz	.....	215/384
D502,844	S *	3/2005	Rohe	.....	D7/510
D507,723	S *	7/2005	Bodum	.....	D7/597
D510,270	S *	10/2005	Khalifa	.....	D9/503
D538,597	S *	3/2007	Kim	.....	D7/510
D556,595	S *	12/2007	Rucinski	.....	D9/558
D565,353	S *	4/2008	Roth et al.	.....	D7/510
D596,459	S *	7/2009	Ghiassi	.....	D7/510
D614,049	S *	4/2010	Diss et al.	.....	D9/776
D615,360	S *	5/2010	Joy et al.	.....	D7/510
D621,220	S *	8/2010	Lown et al.	.....	D7/510
7,810,651	B2 *	10/2010	Miga, Jr.	.....	210/466
D632,521	S *	2/2011	Wahl	.....	D7/392.1

**1 Claim, 8 Drawing Sheets**



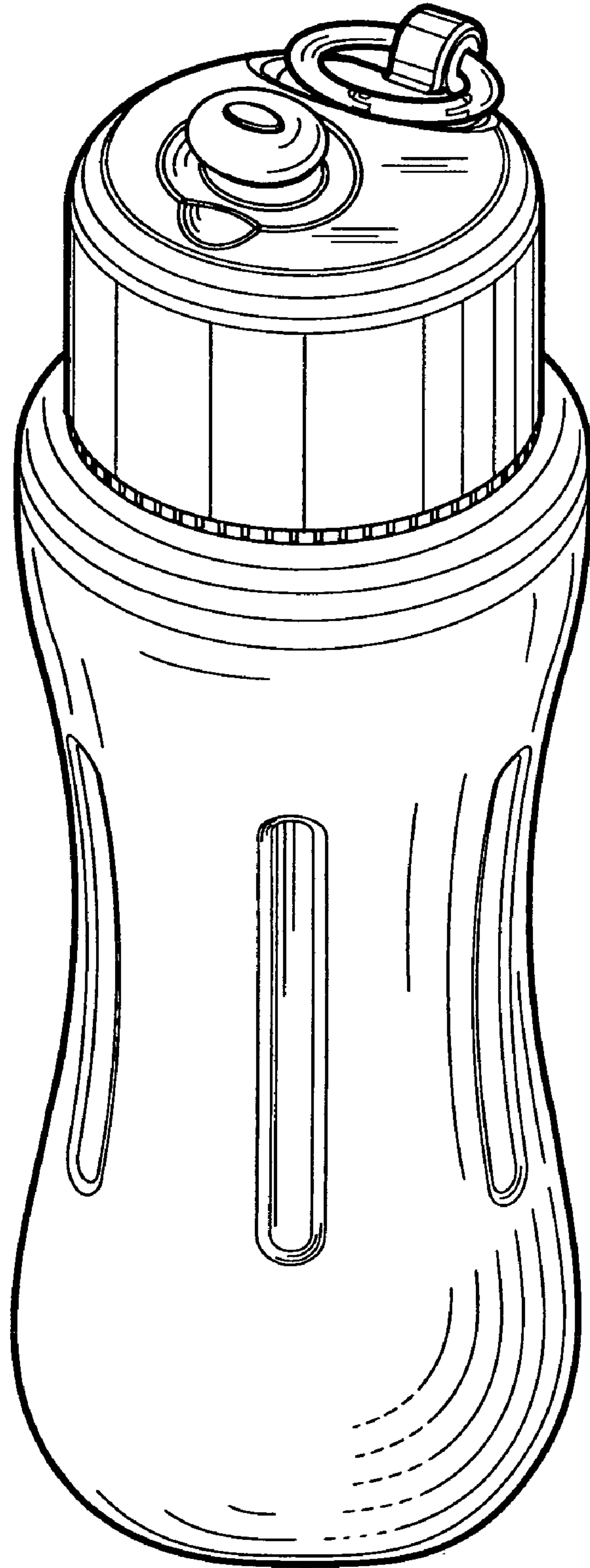


Fig. 1

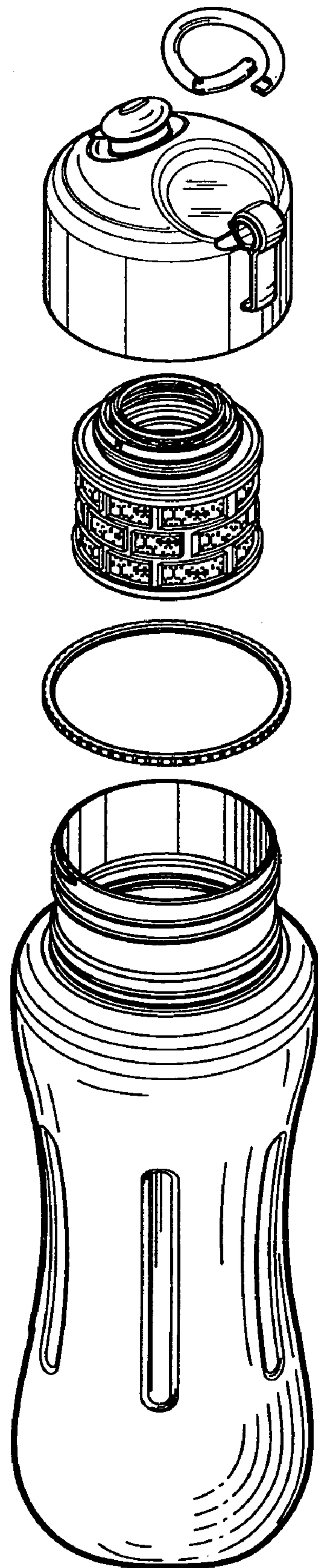


Fig. 2

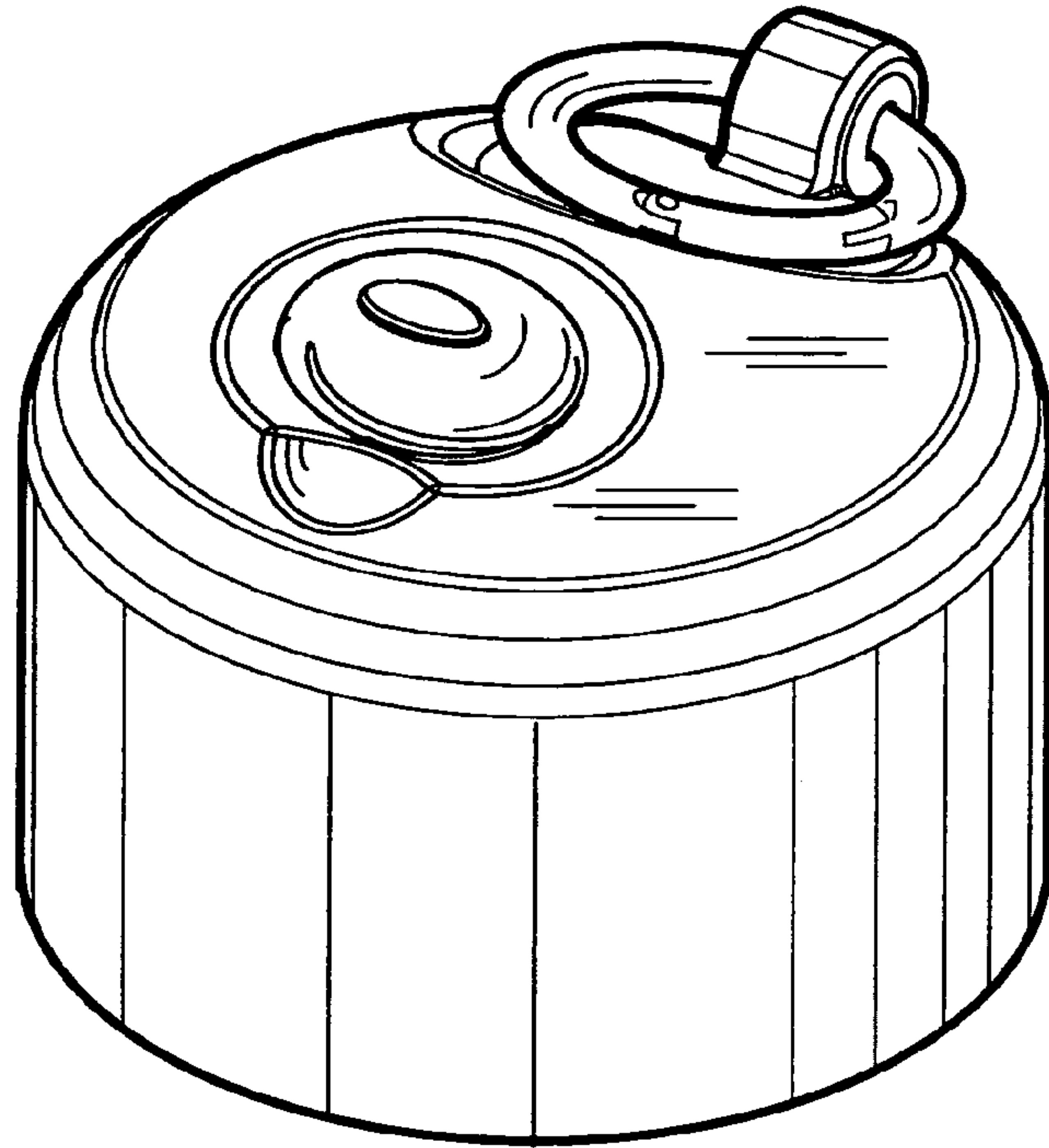


Fig. 3

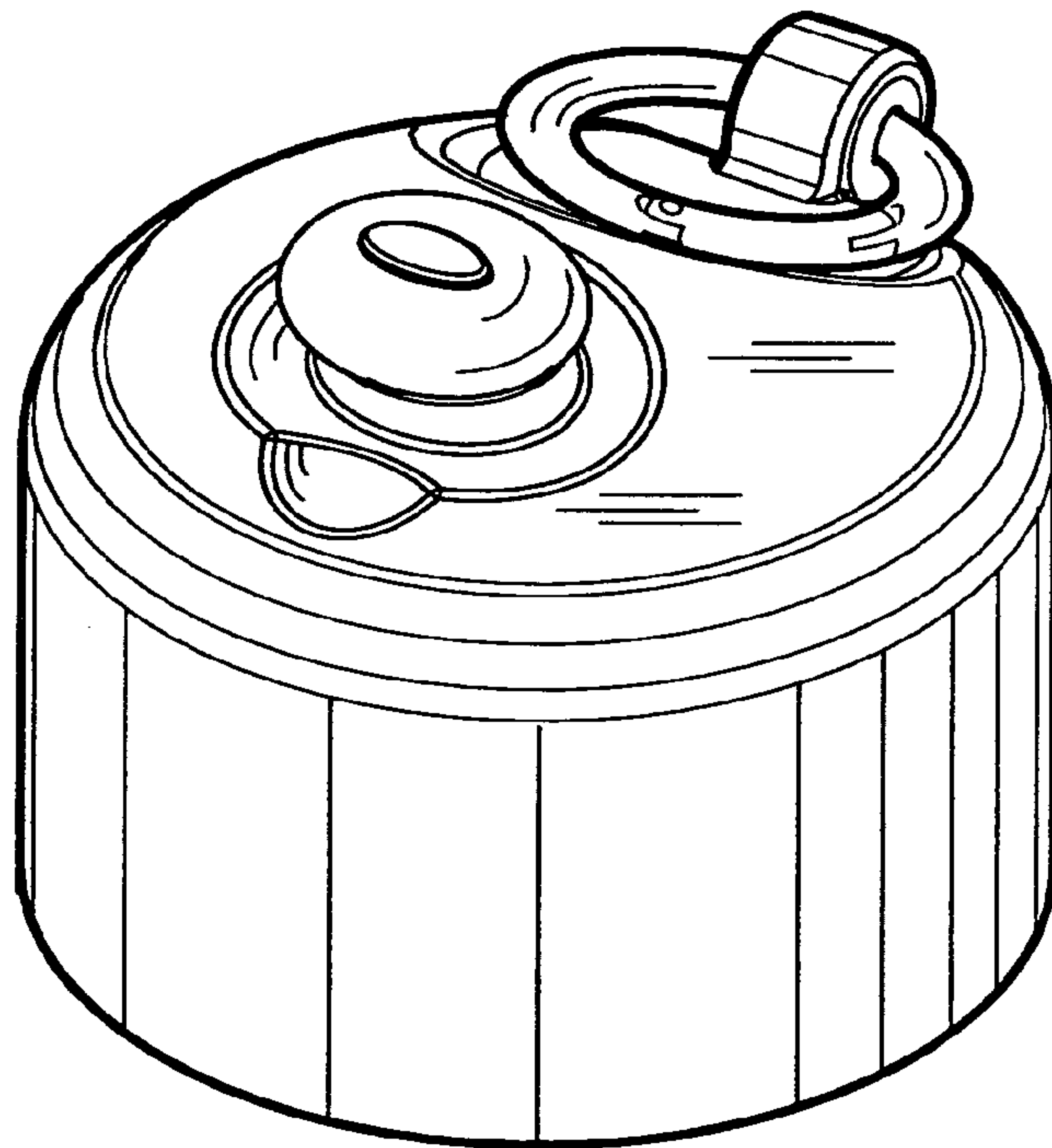
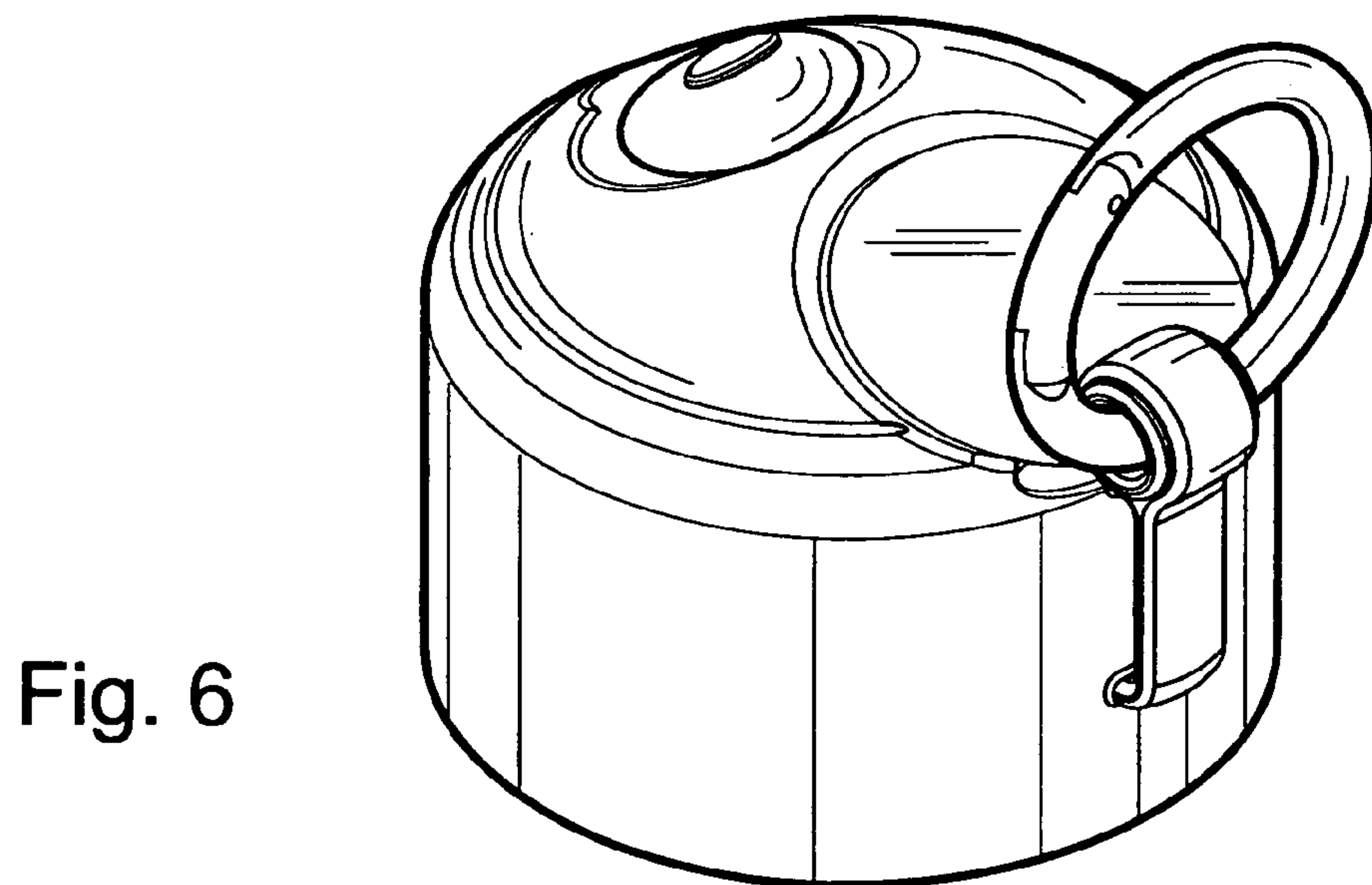
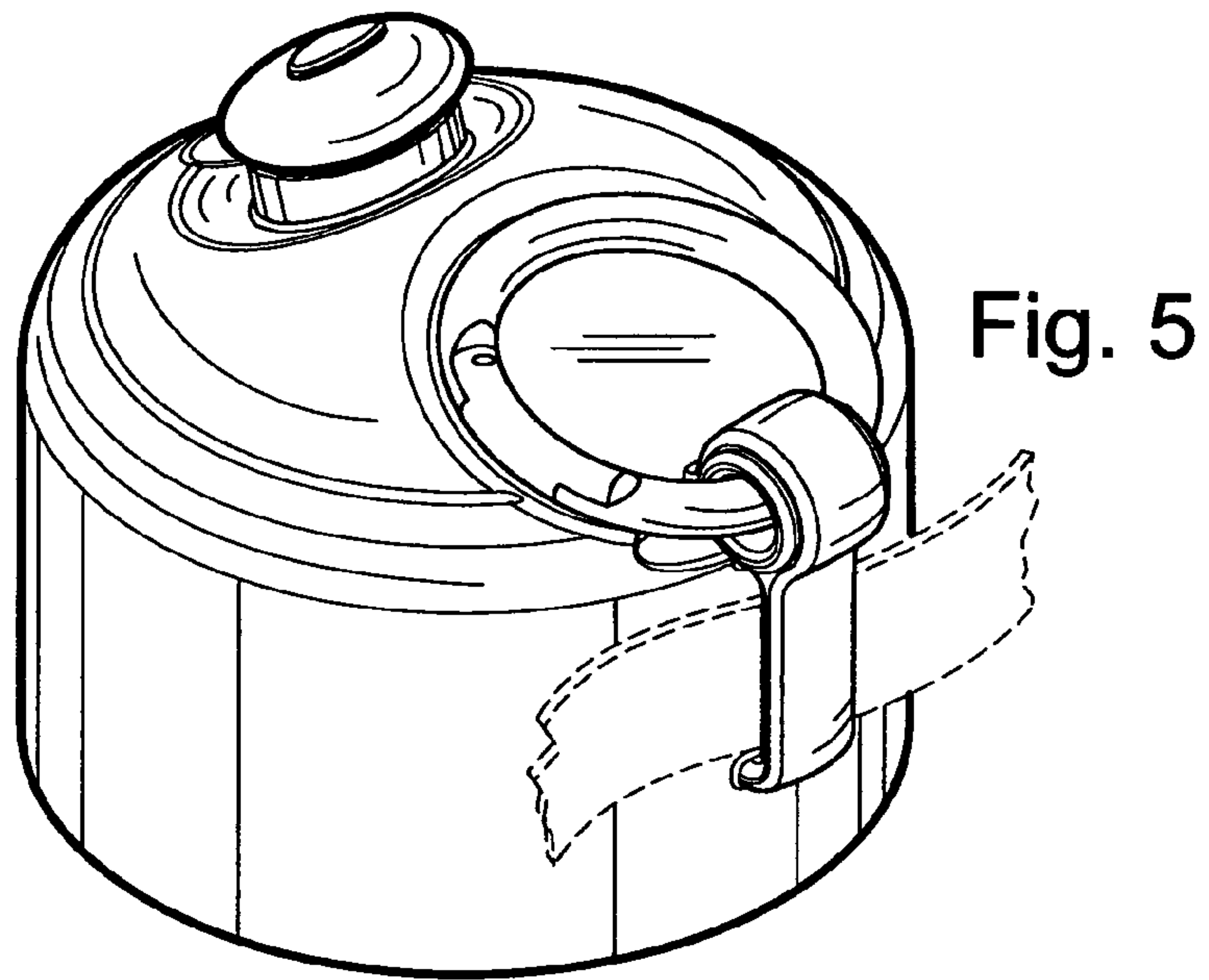


Fig. 4





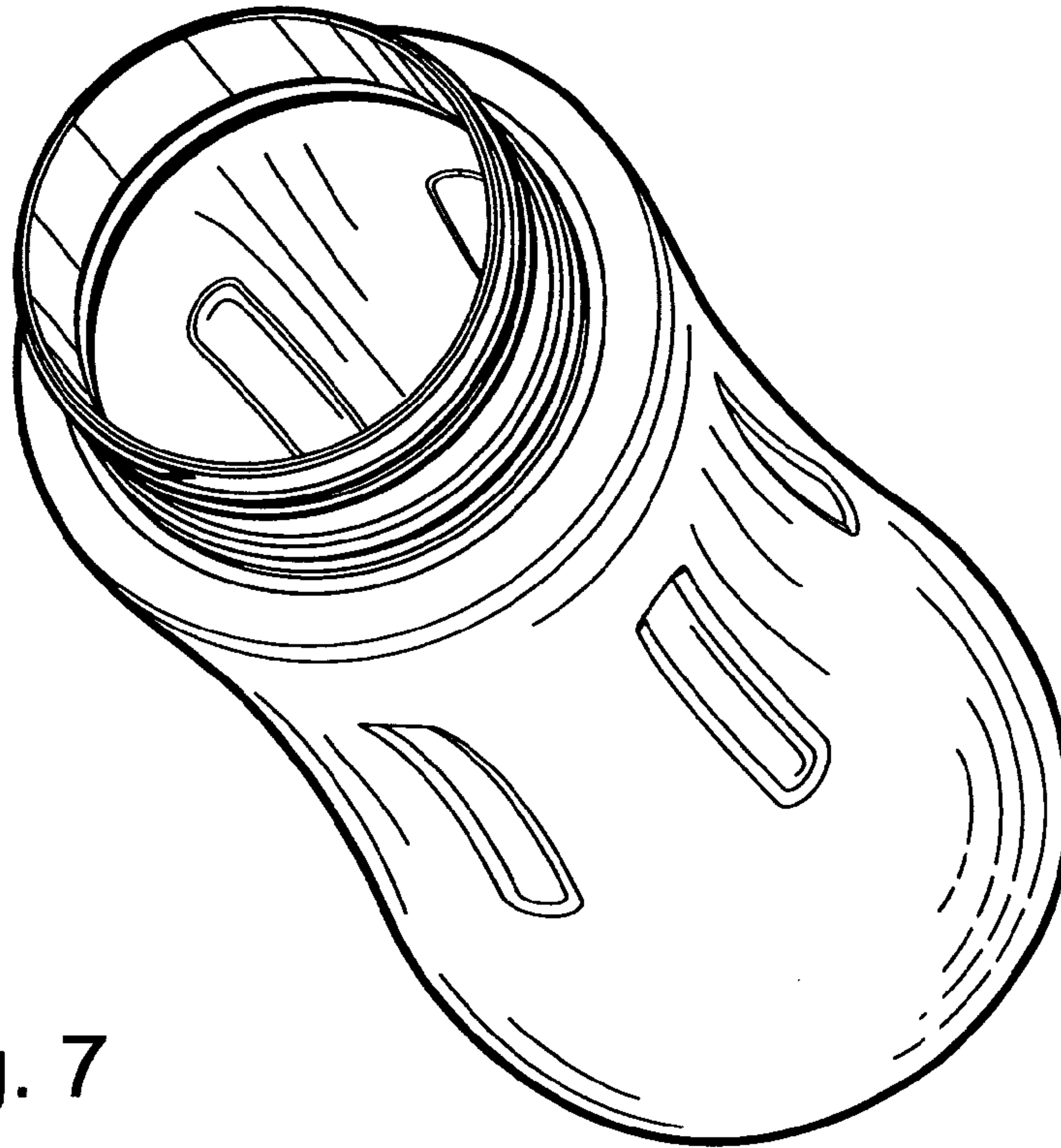


Fig. 7

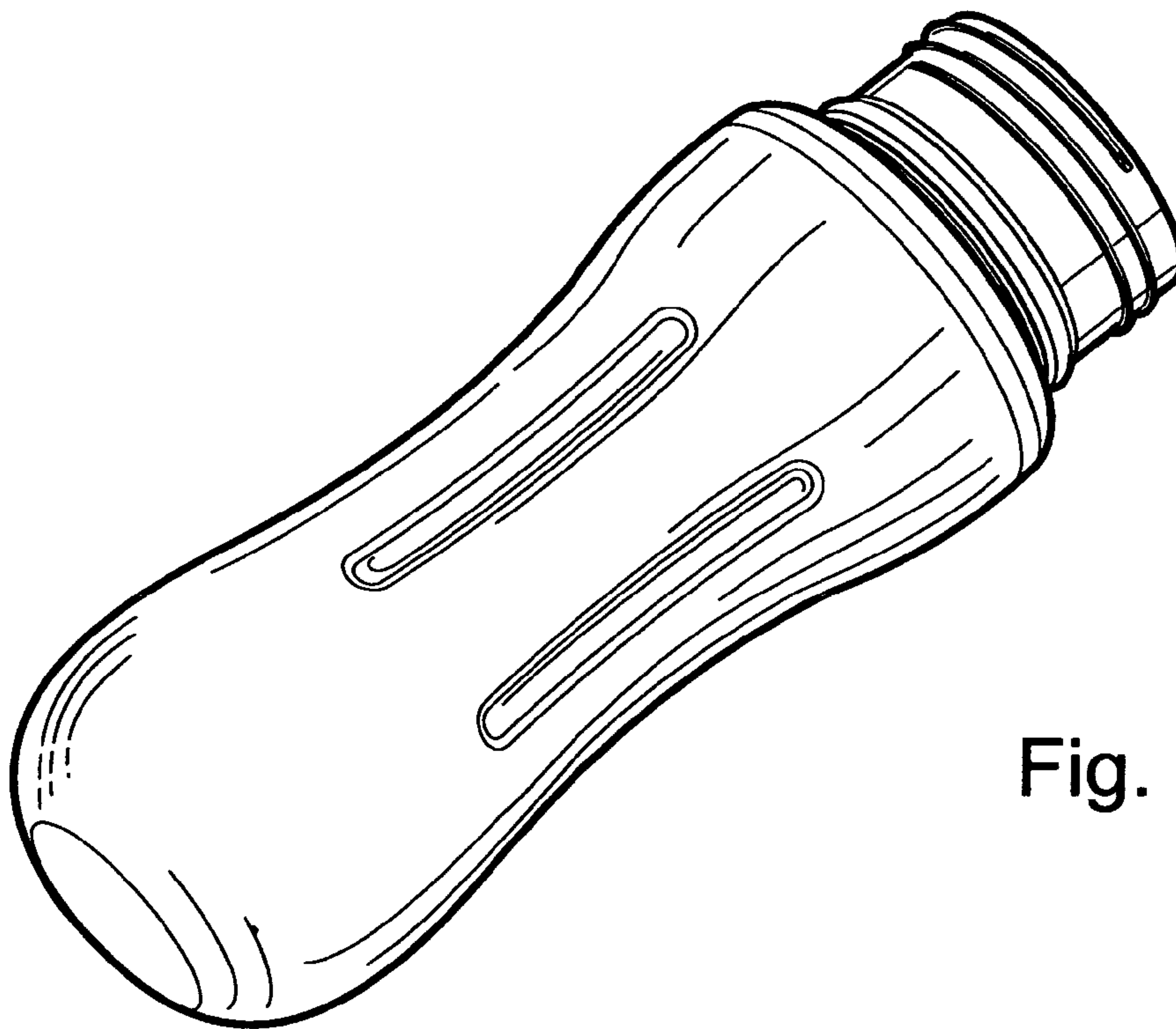


Fig. 8

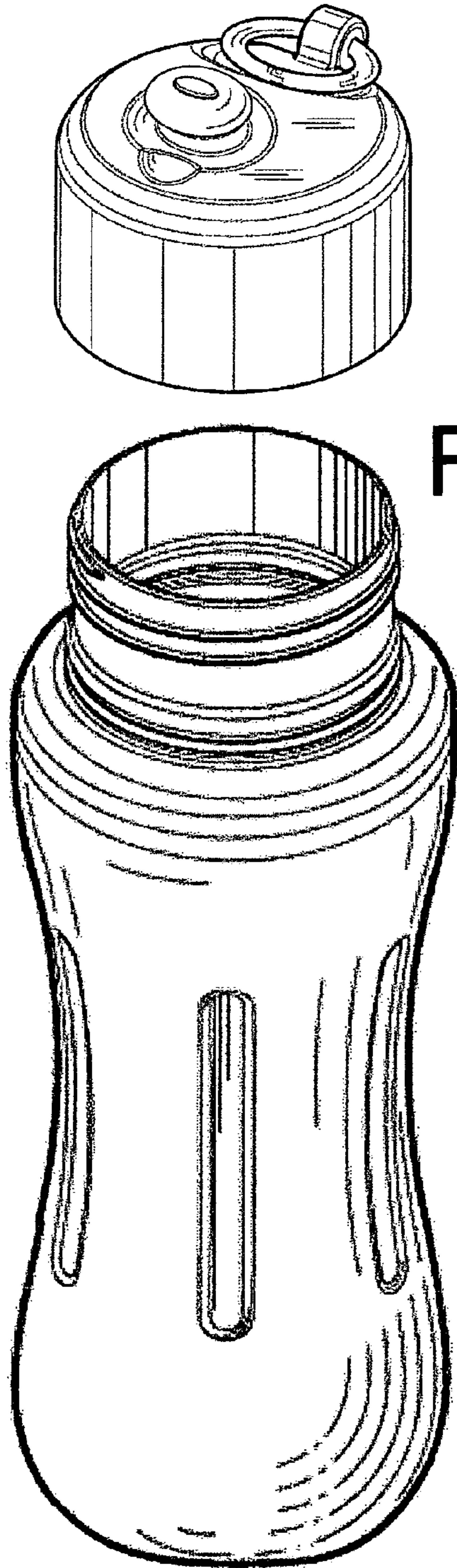


Fig. 9



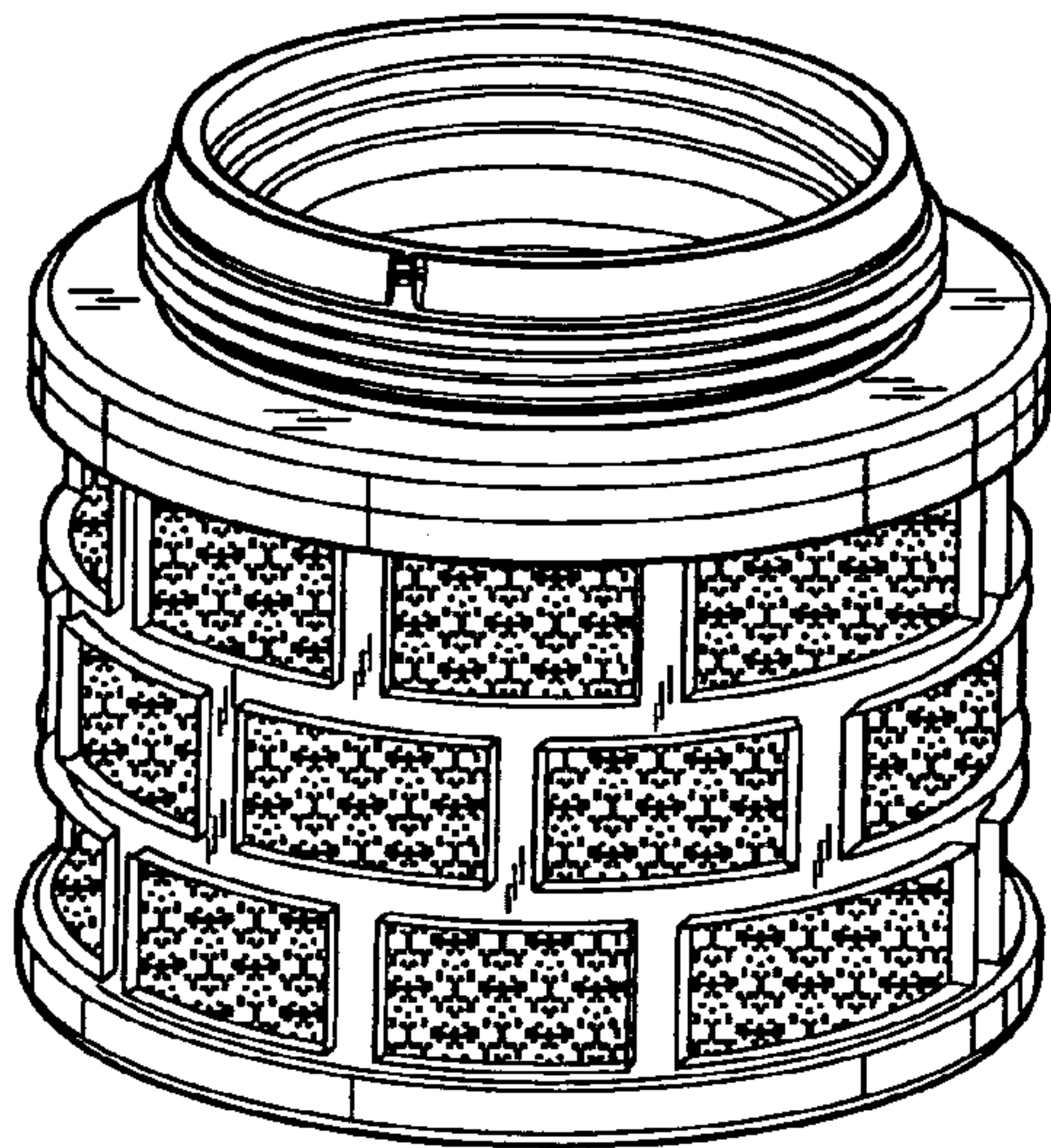


Fig. 10

Fig. 11

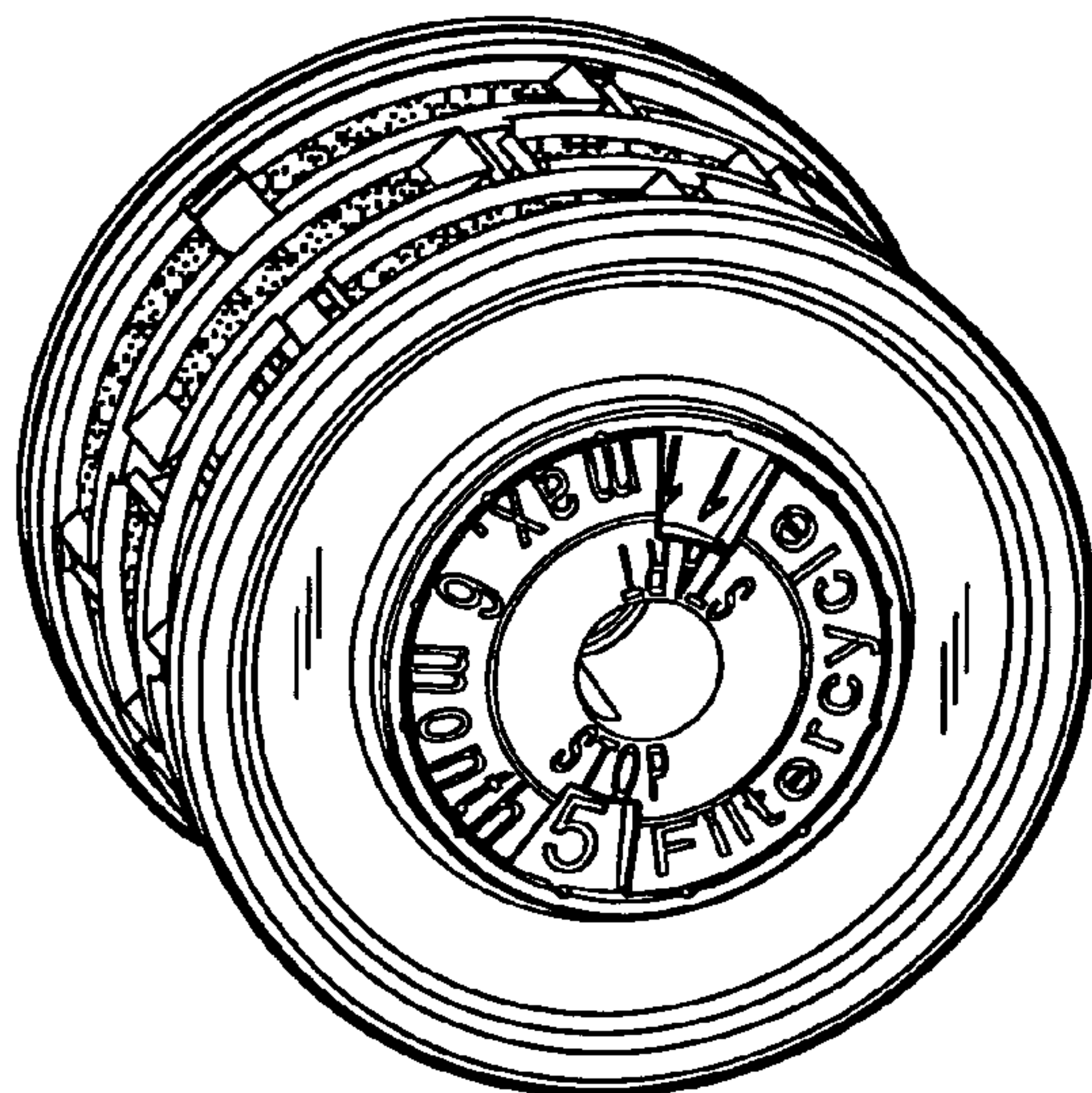
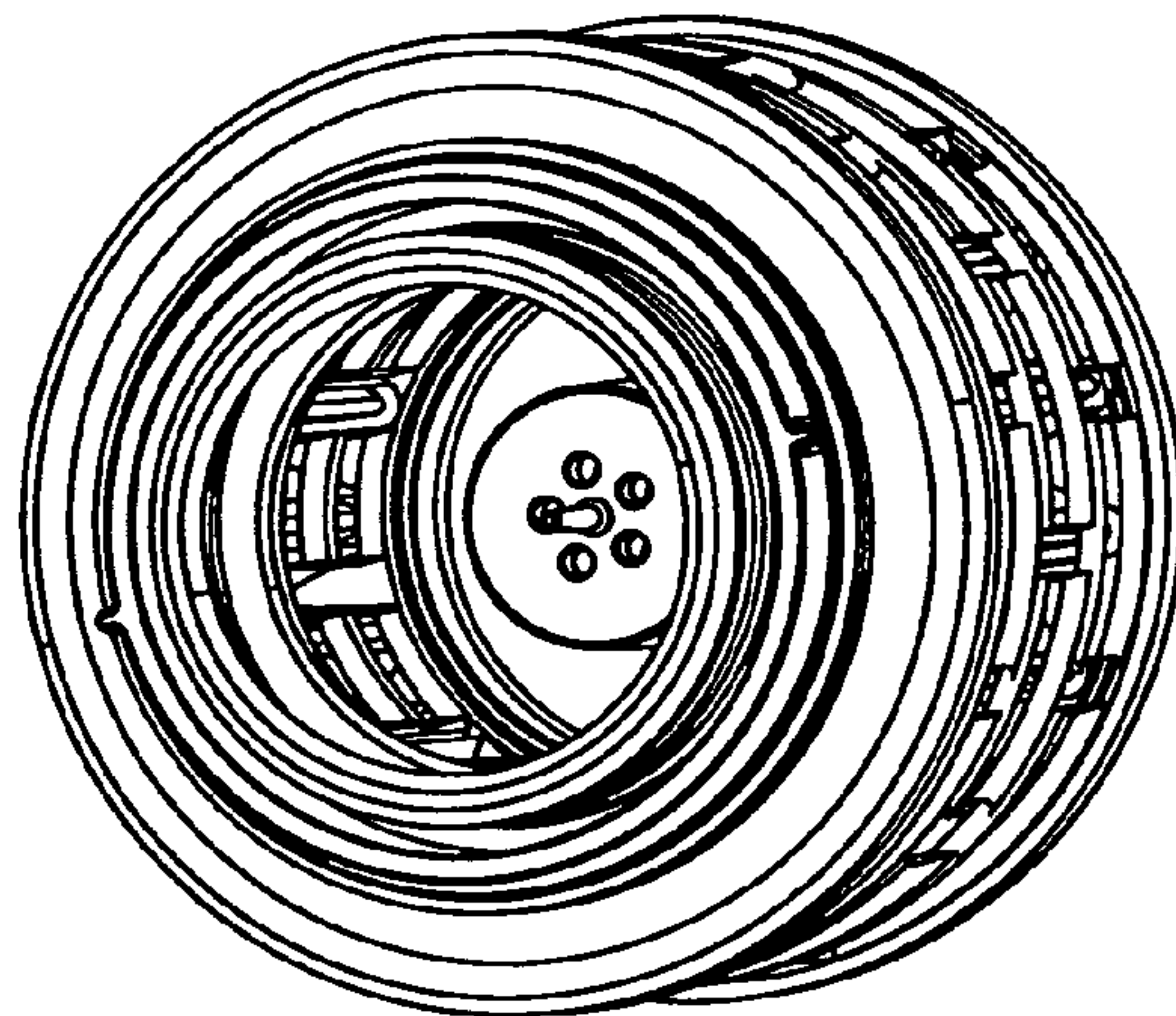


Fig. 12



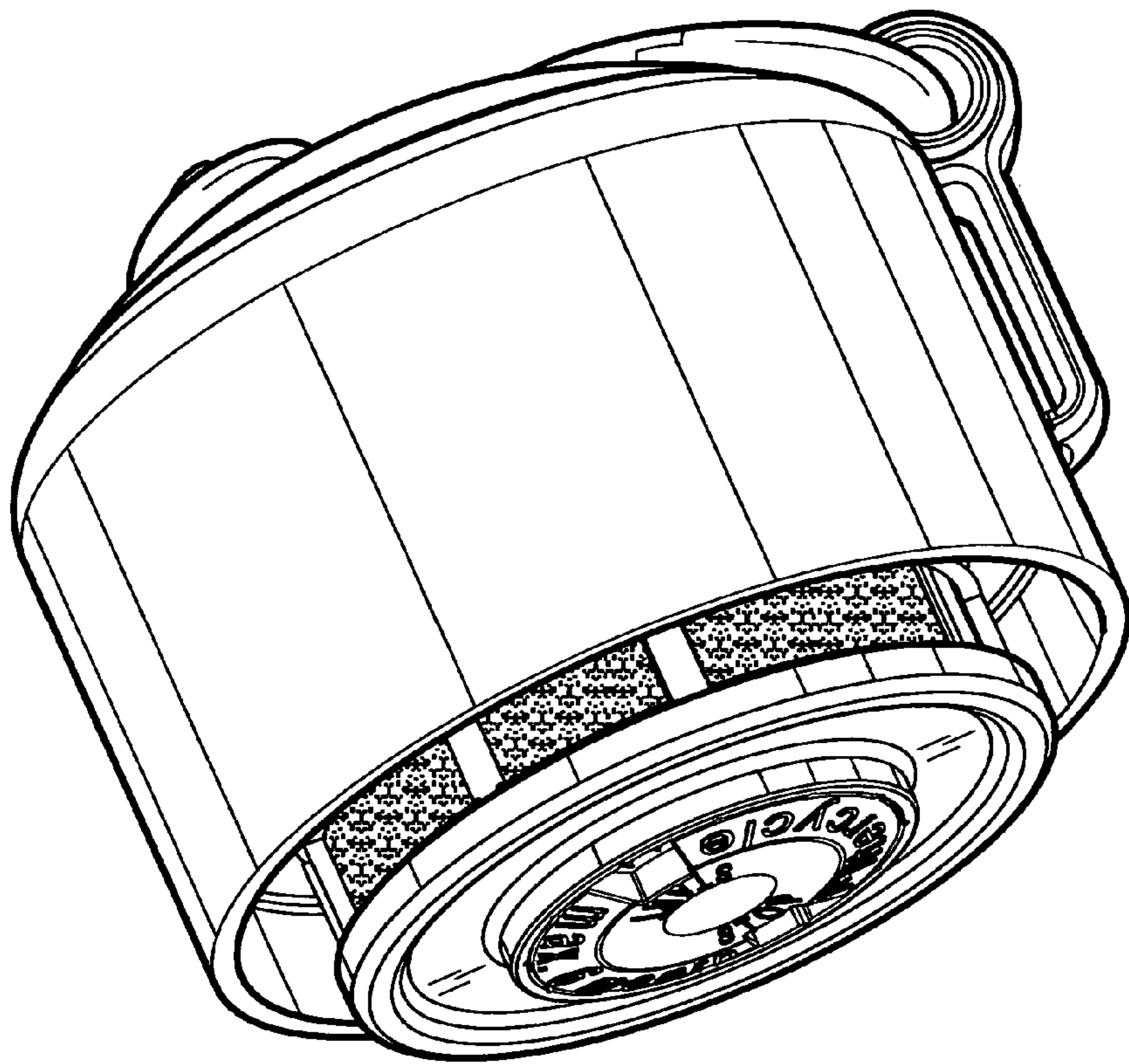


Fig. 13