



US00D659469S

(12) **United States Design Patent**  
**Hoare et al.**

(10) **Patent No.:** **US D659,469 S**

(45) **Date of Patent:** **\*\* May 15, 2012**

(54) **BLENDER JUG**

(75) Inventors: **Richard Hoare**, Lane Cove (AU); **Greg Upston**, Ridgewood (AU)

(73) Assignee: **Breville Pty Limited**, Botany, New South Wales (AU)

(\*\*) Term: **14 Years**

(21) Appl. No.: **29/405,053**

(22) Filed: **Oct. 28, 2011**

(30) **Foreign Application Priority Data**

May 6, 2011 (AU) ..... 201112000

(51) **LOC (9) Cl.** ..... **07-02**

(52) **U.S. Cl.** ..... **D7/413; D7/376; D7/378; D7/412**

(58) **Field of Classification Search** ..... D7/301-313,  
D7/316-319, 368, 372-386, 391, 412-415,  
D7/515, 665, 679; 99/326, 348, 508-511;  
241/30-37.5, 101.01-101.2, 166-169.1,  
241/172, 285.1-285.3, 291, 292.1; 366/64-67,  
366/98, 129, 142, 197-211, 241-254, 262,  
366/279-292, 325.8, 325.92, 341-347; 416/75-77,  
416/70 R, 163

See application file for complete search history.

(56) **References Cited**

**U.S. PATENT DOCUMENTS**

D416,749 S \* 11/1999 Moran ..... D7/319  
D488,957 S \* 4/2004 Holderfield et al. .... D7/413

D498,638 S \* 11/2004 Morrison ..... D7/319  
D526,531 S \* 8/2006 Drees et al. .... D7/378  
D528,855 S \* 9/2006 Picozza et al. .... D7/378  
D533,395 S \* 12/2006 Drees et al. .... D7/378  
D537,674 S \* 3/2007 Davenport et al. .... D7/378  
D553,433 S \* 10/2007 Picozza et al. .... D7/413  
D563,164 S \* 3/2008 Sands ..... D7/413  
D577,537 S \* 9/2008 Lee ..... D7/386  
D617,136 S \* 6/2010 Bock et al. .... D7/378  
D642,857 S \* 8/2011 Bodum ..... D7/378

\* cited by examiner

*Primary Examiner* — Ricky Pham

(74) *Attorney, Agent, or Firm* — Michael Molins

(57) **CLAIM**

The ornamental design for a blender jug, as shown and described.

**DESCRIPTION**

FIG. 1 is a front perspective view of a blender jug showing our new design;  
FIG. 2 is a rear perspective view thereof;  
FIG. 3 is a top view thereof;  
FIG. 4 is a bottom view thereof;  
FIG. 5 is a front view thereof;  
FIG. 6 is a right view thereof;  
FIG. 7 is a back view thereof; and,  
FIG. 8 is a left side view thereof.

The broken lines shown in the drawings are for illustrative purposes only and form no part of the claimed design.

**1 Claim, 8 Drawing Sheets**





FIG. 1

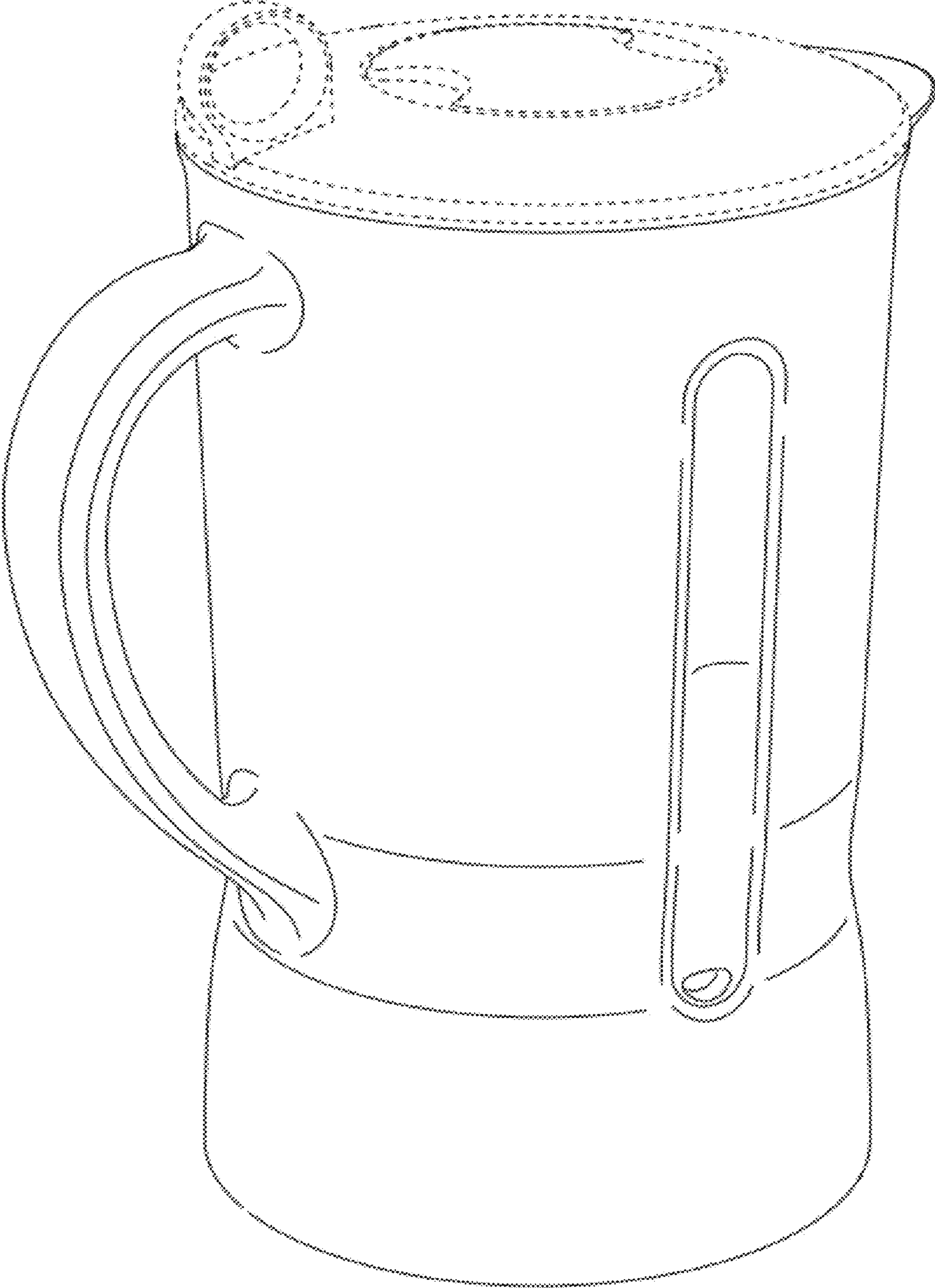


FIG. 2

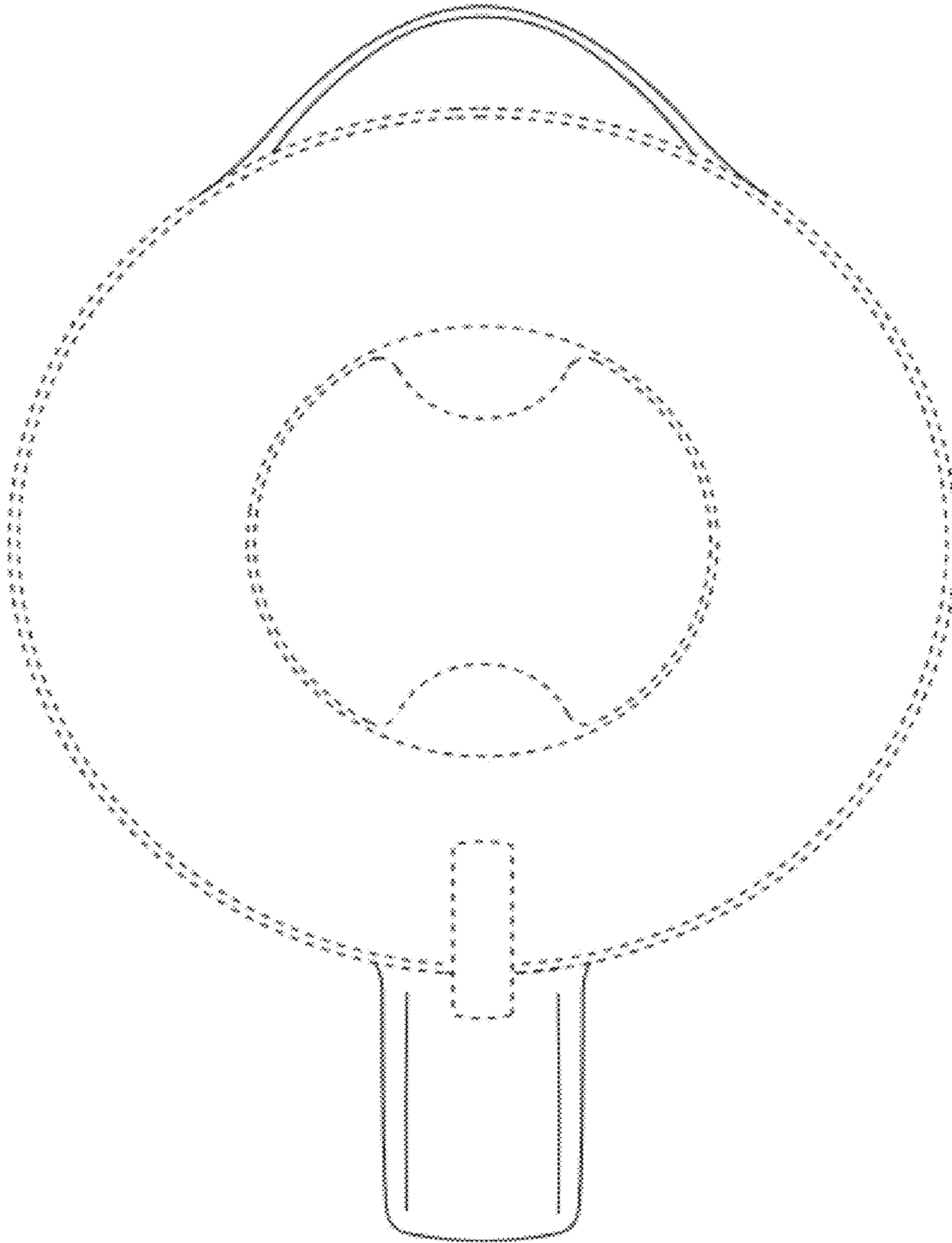


FIG. 3

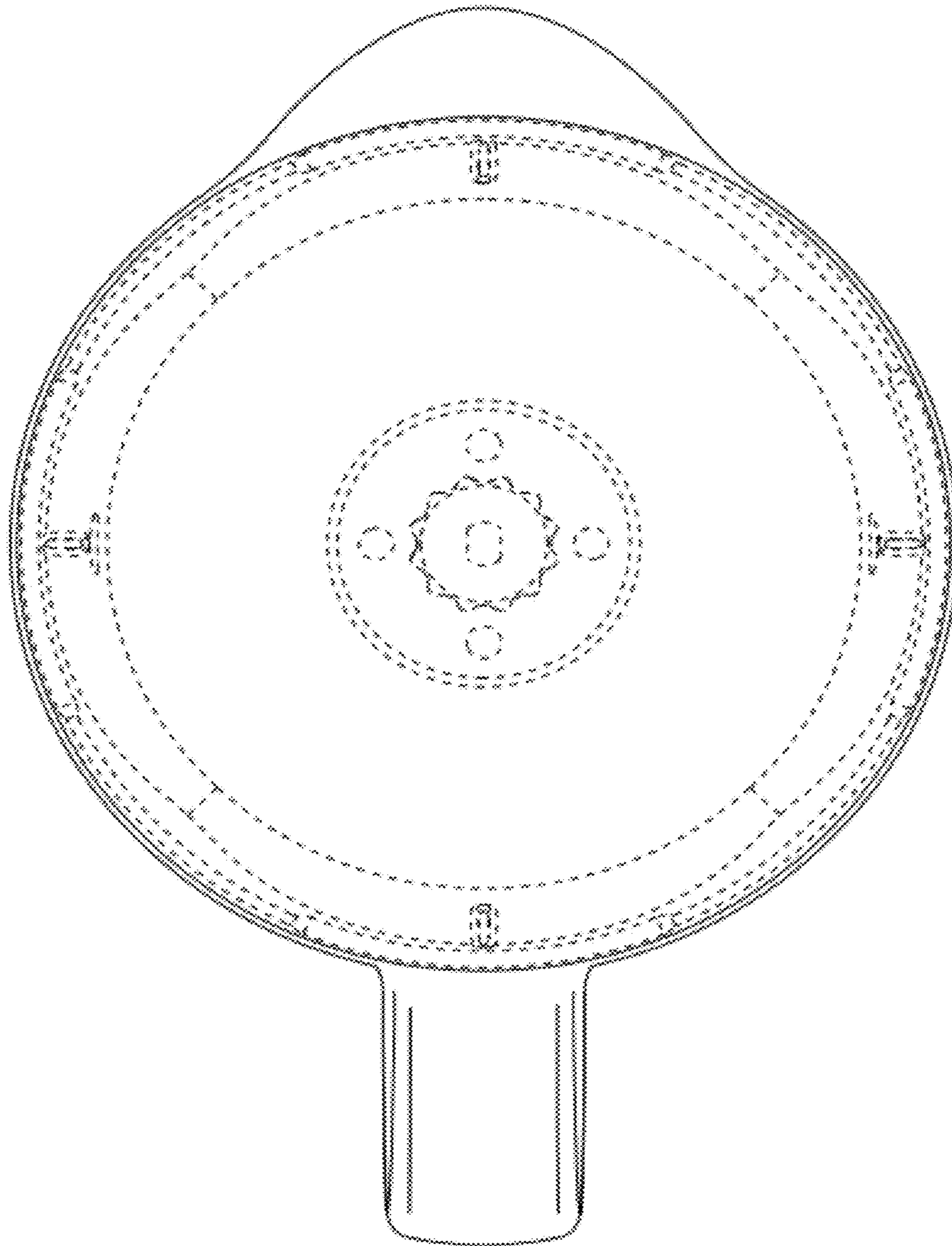


FIG. 4

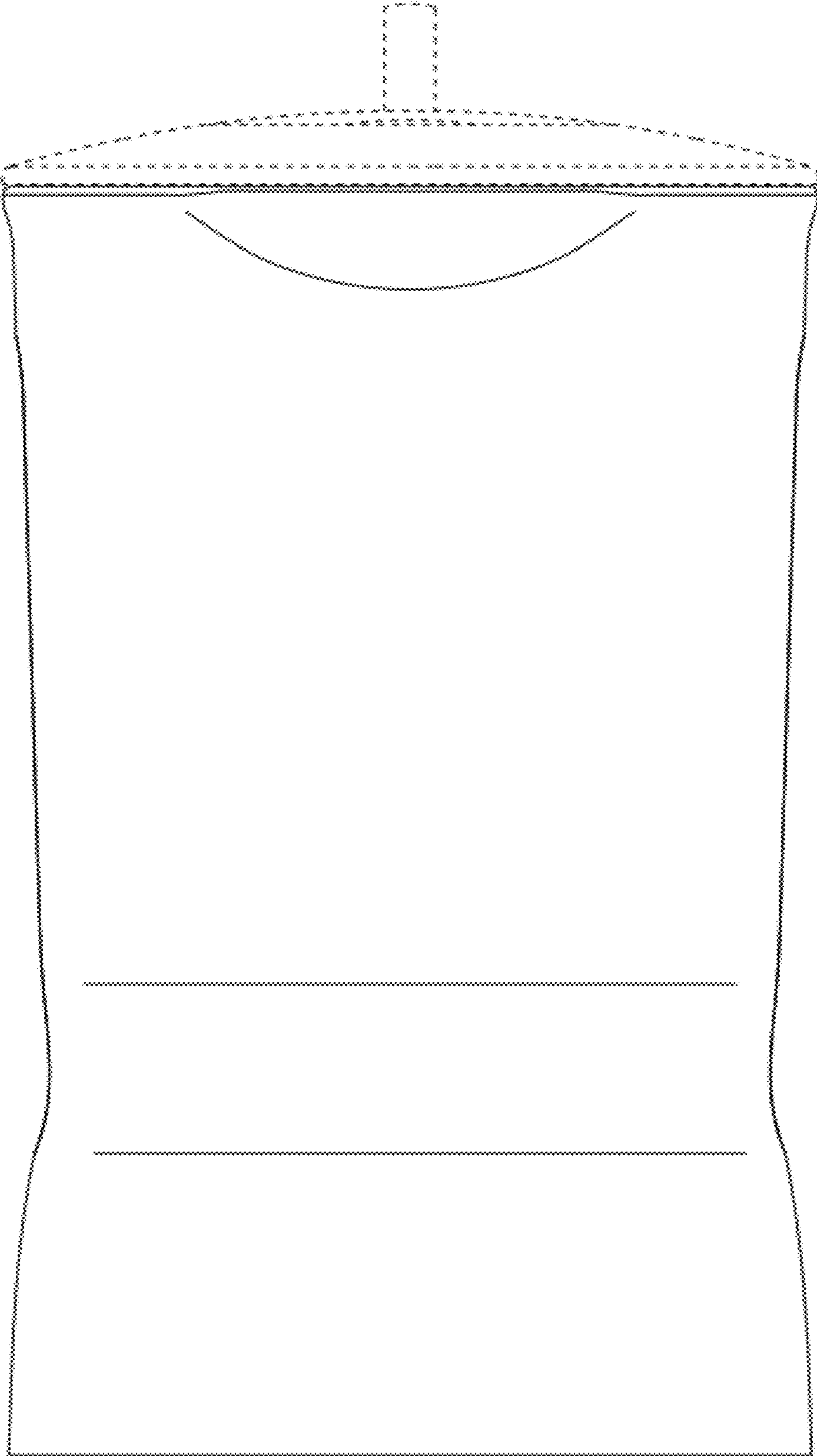


FIG. 5

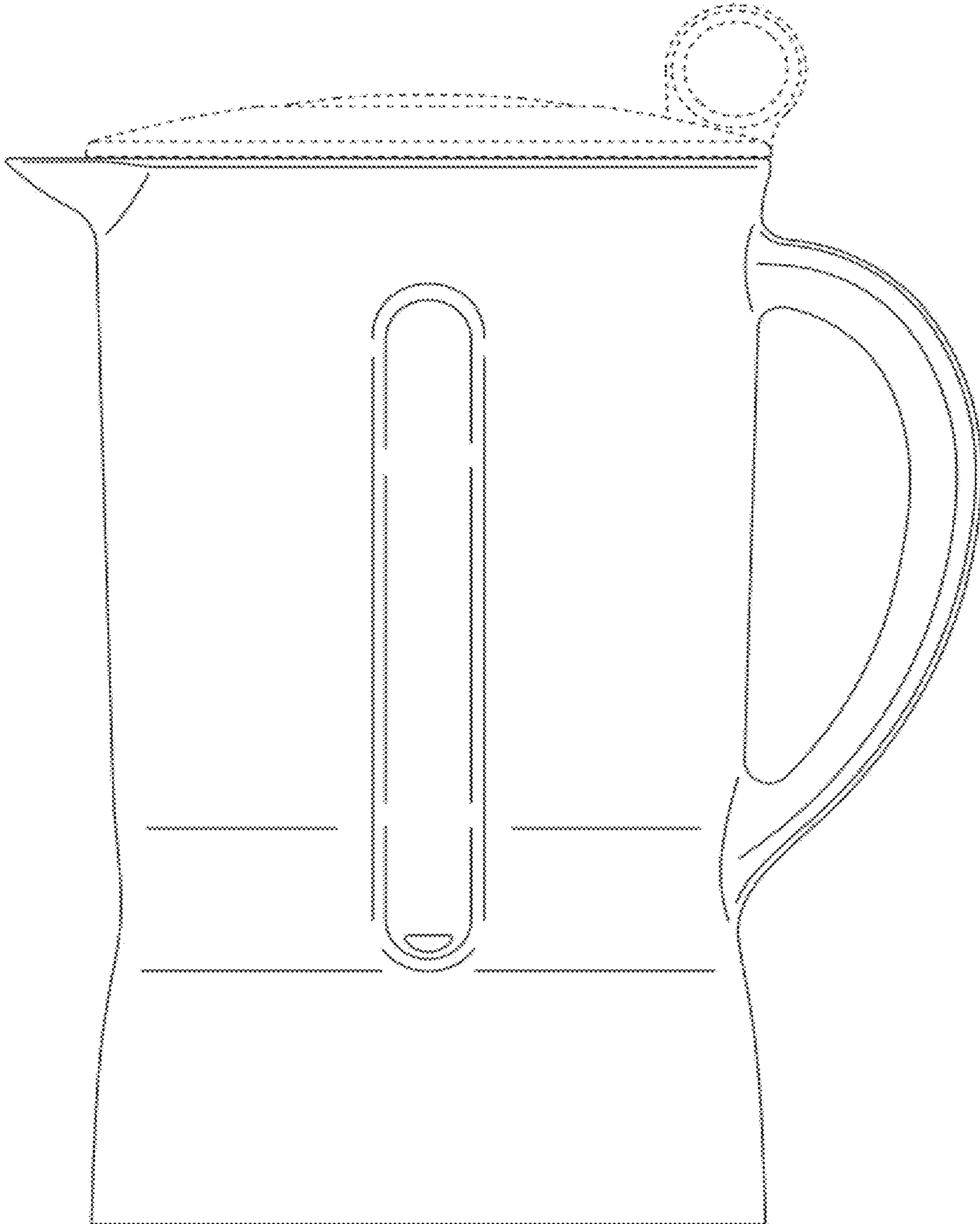


FIG. 6

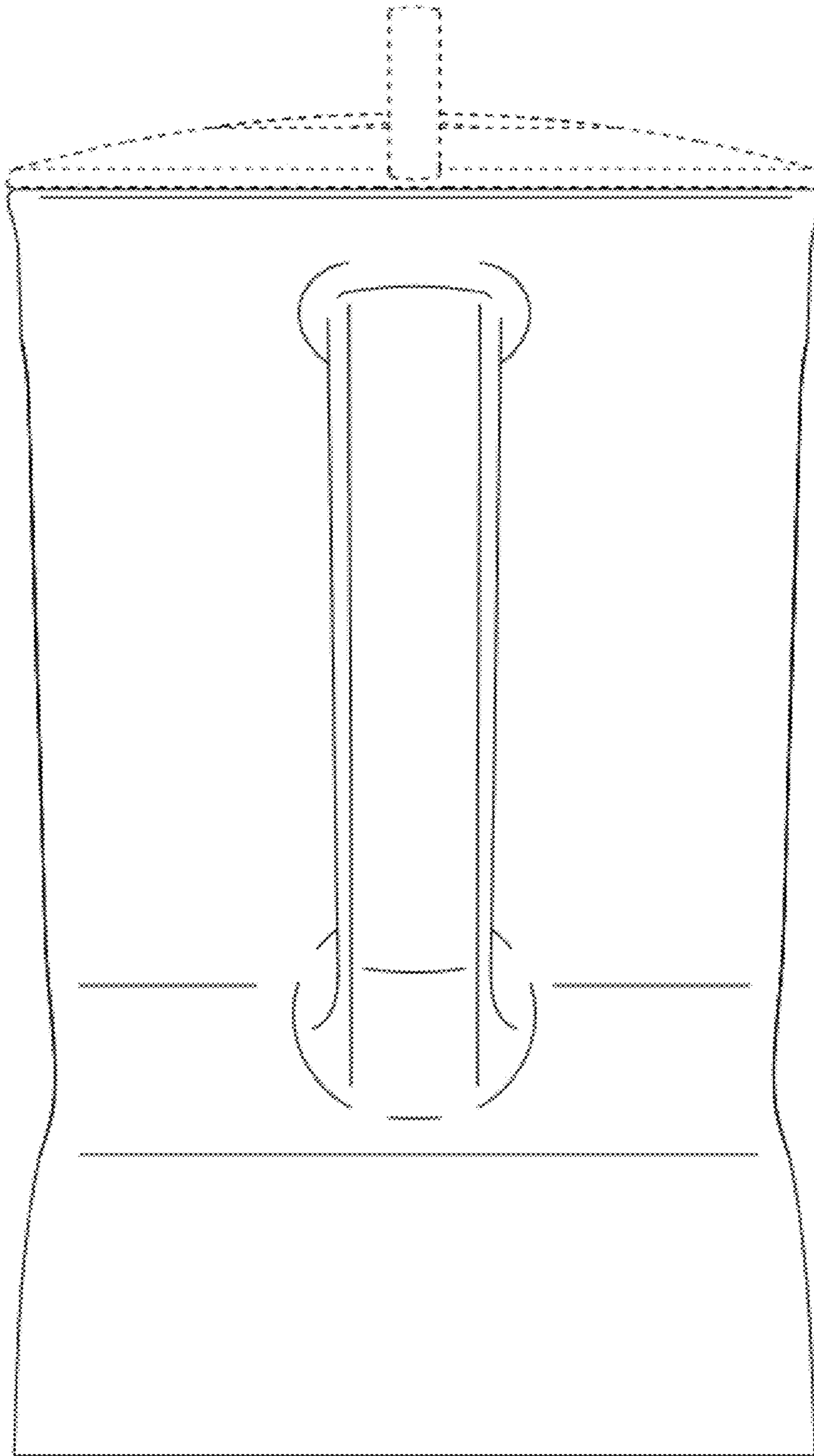


FIG. 7



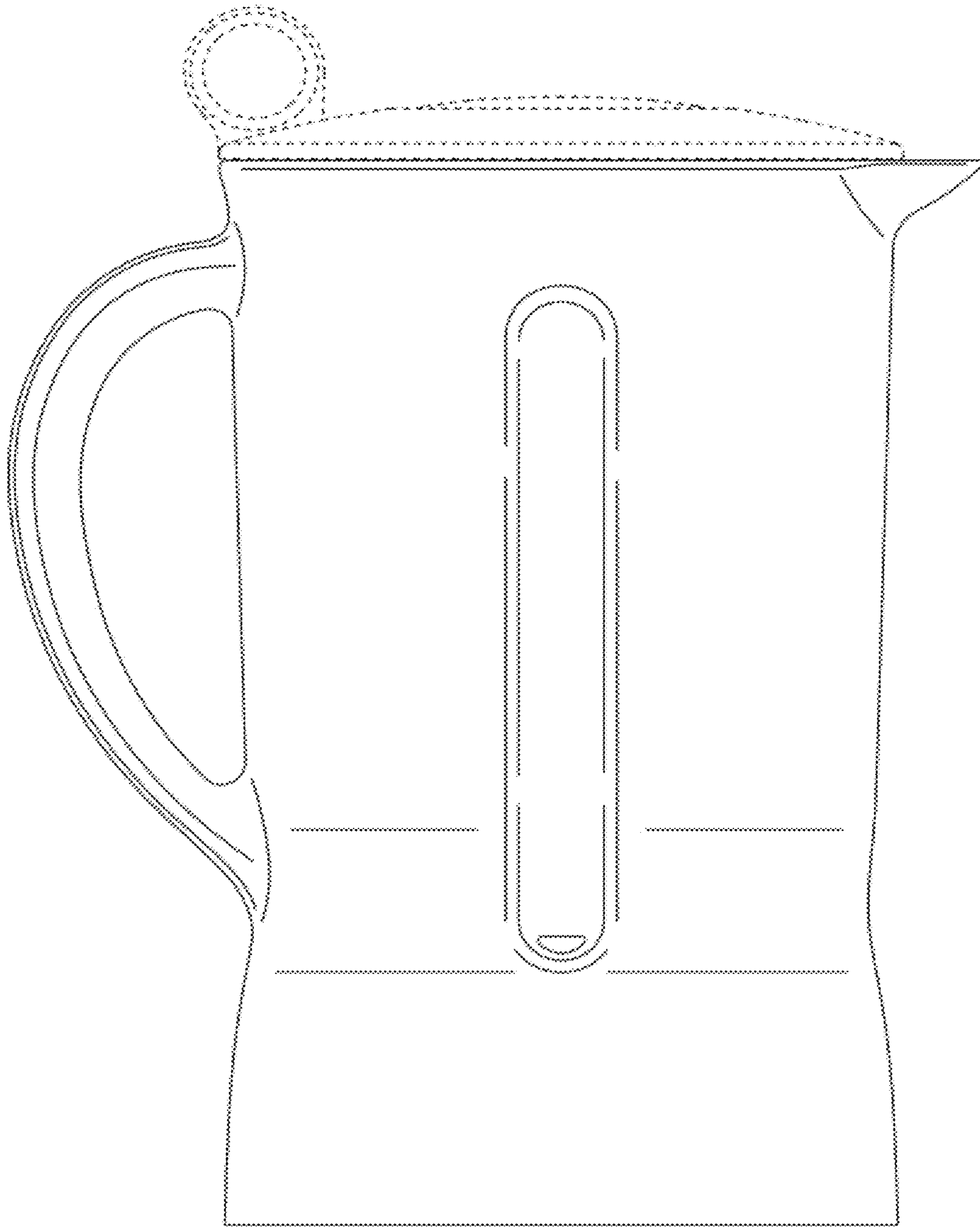


FIG. 8