



US00D659468S

(12) **United States Design Patent**  
**Nyambi et al.**

(10) **Patent No.:** **US D659,468 S**

(45) **Date of Patent:** **\*\* May 15, 2012**

(54) **BEVERAGE DISPENSER**

(75) Inventors: **Samuel O. Nyambi**, Marietta, GA (US);  
**Fritz Seelhoffer**, Lindau/ZH (CH)

(73) Assignee: **The Coca-Cola Company**, Atlanta, GA  
(US)

(\*\*) Term: **14 Years**

(21) Appl. No.: **29/377,809**

(22) Filed: **Oct. 26, 2010**

(51) **LOC (9) Cl.** ..... **07-01**

(52) **U.S. Cl.** ..... **D7/396; D7/300.1**

(58) **Field of Classification Search** ..... D7/300.1,  
D7/300, 313, 398, 397, 392; D23/255, 238;  
222/38, 30, 397; 4/675; D6/542; D9/448,  
D9/500; 215/274, 4

See application file for complete search history.

(56) **References Cited**

**U.S. PATENT DOCUMENTS**

- 2,037,220 A \* 4/1936 Eugster ..... 215/5
- 2,092,596 A \* 9/1937 Ward ..... 215/4
- D119,739 S \* 4/1940 D'Addario ..... D7/300.1
- D126,265 S \* 4/1941 Gebhart et al. .... D7/398
- 2,928,576 A \* 3/1960 Kochner ..... 222/394

- D213,489 S \* 3/1969 Smith ..... D7/300.1
- 4,582,208 A \* 4/1986 Volf et al. .... 215/274
- D471,760 S \* 3/2003 Stadermann et al. .... D7/398
- D582,722 S \* 12/2008 Pena ..... D7/398

\* cited by examiner

*Primary Examiner* — Marianne Pandozzi

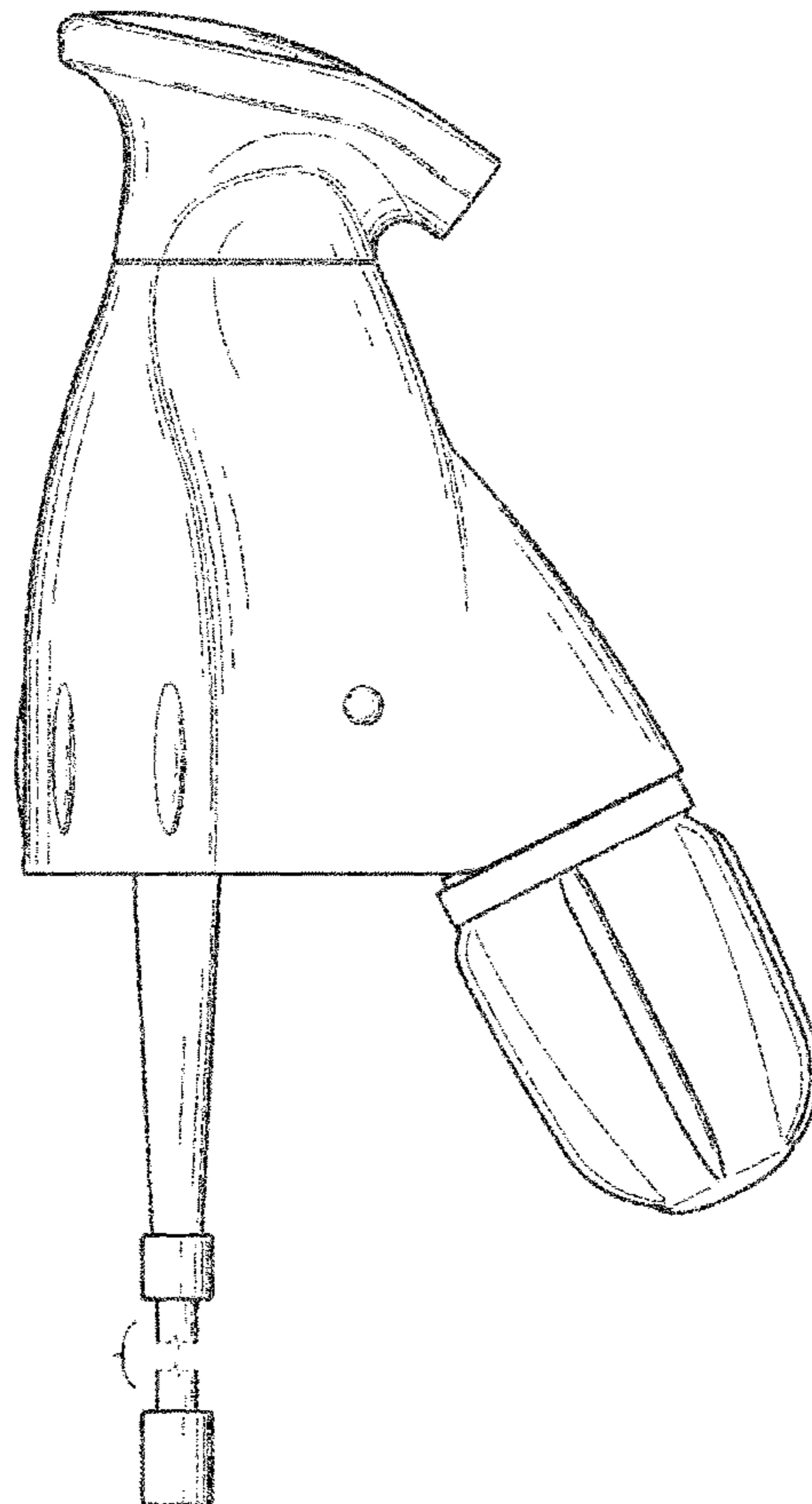
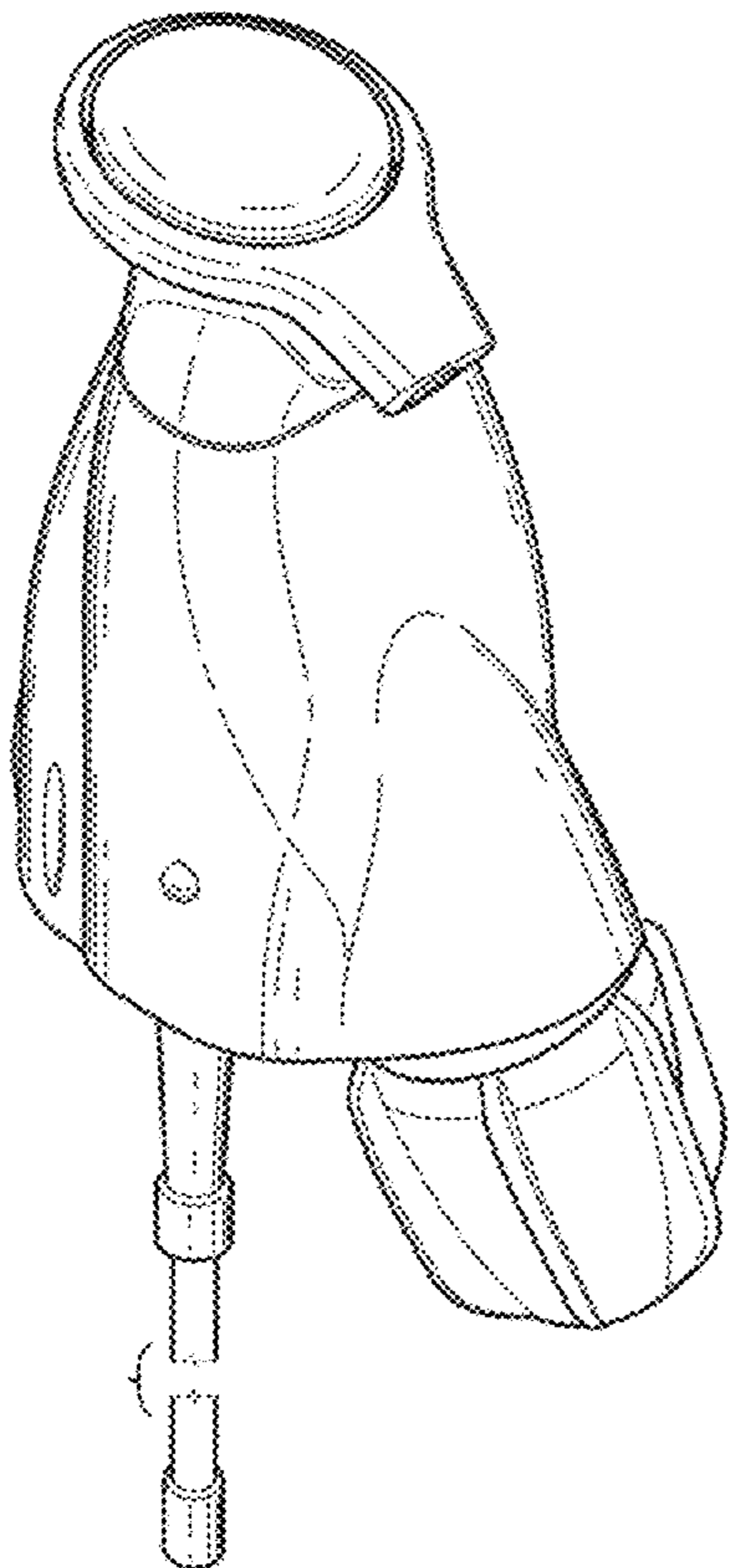
(57) **CLAIM**

We claim the ornamental design for a beverage dispenser, as shown and described.

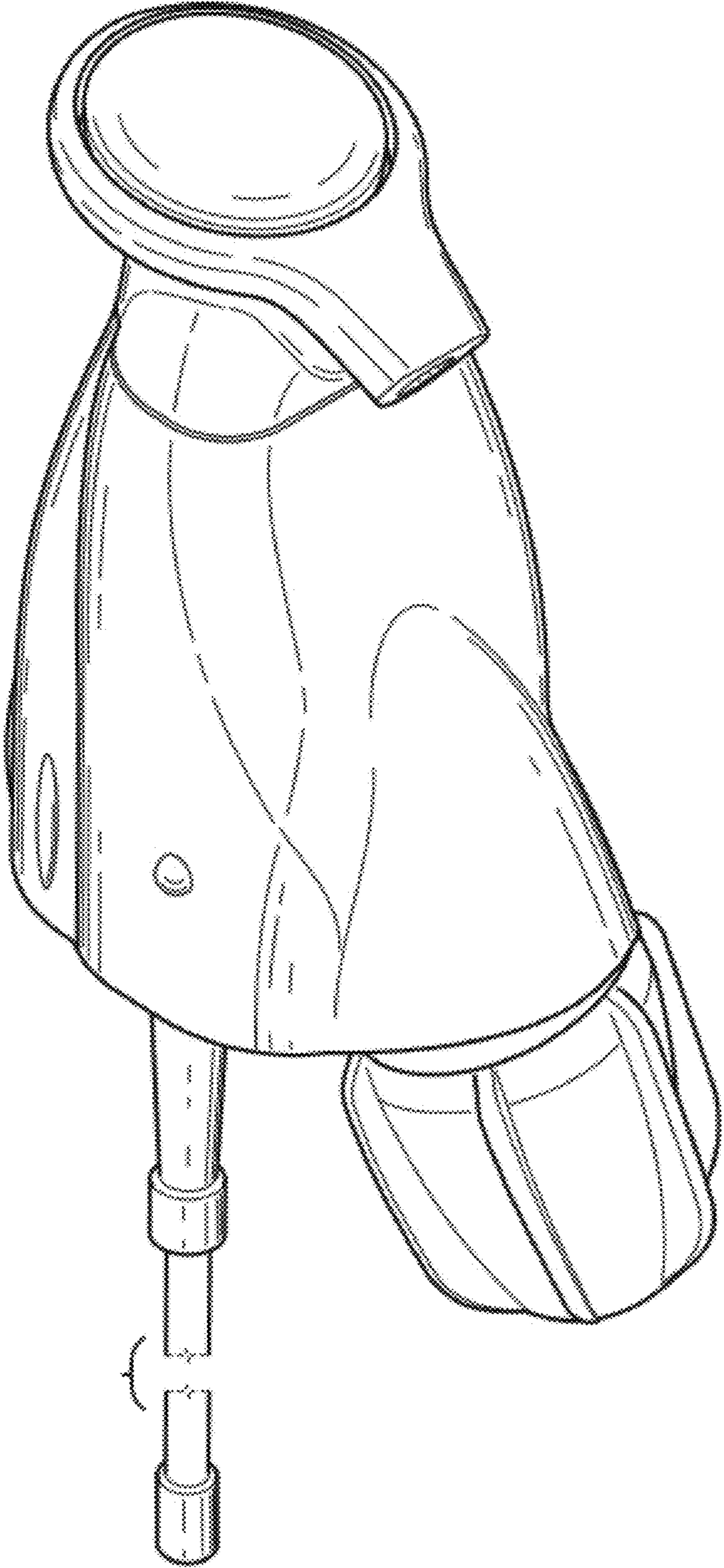
**DESCRIPTION**

FIG. 1 is an upper perspective view of a beverage dispenser showing one embodiment of our new design;  
 FIG. 2 is an underside perspective view thereof;  
 FIG. 3 is a left side view thereof;  
 FIG. 4 is a right side elevational view thereof;  
 FIG. 5 is a front view thereof;  
 FIG. 6 is a back view thereof;  
 FIG. 7 is a top plan view thereof;  
 FIG. 8 is a bottom plan view thereof; and,  
 FIG. 9 is a perspective view showing environment.  
 The broken lines in the drawings are for illustrative purposes only and form no part of the claimed design. The area shown broken away is represent indeterminate length.

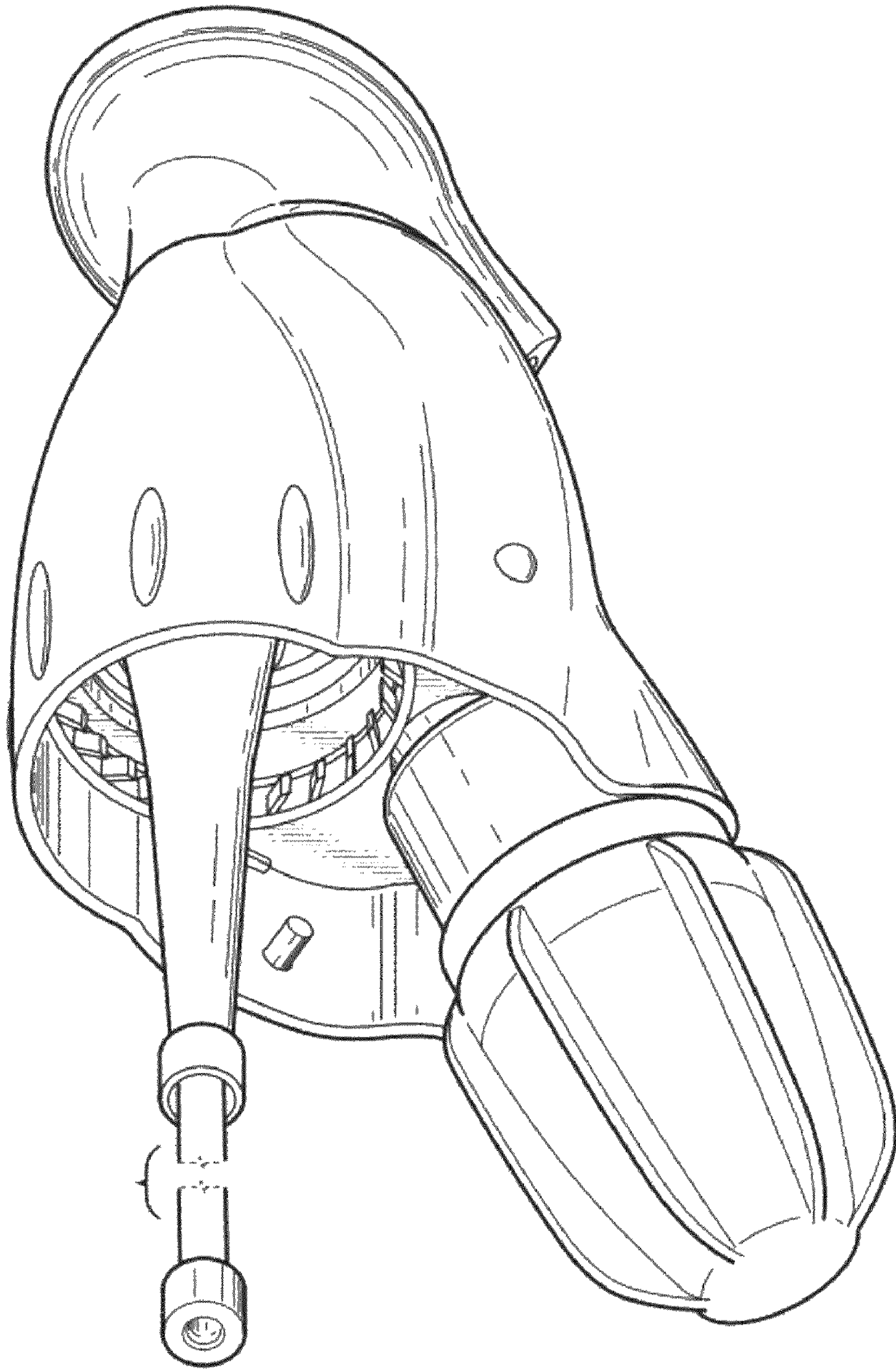
**1 Claim, 8 Drawing Sheets**



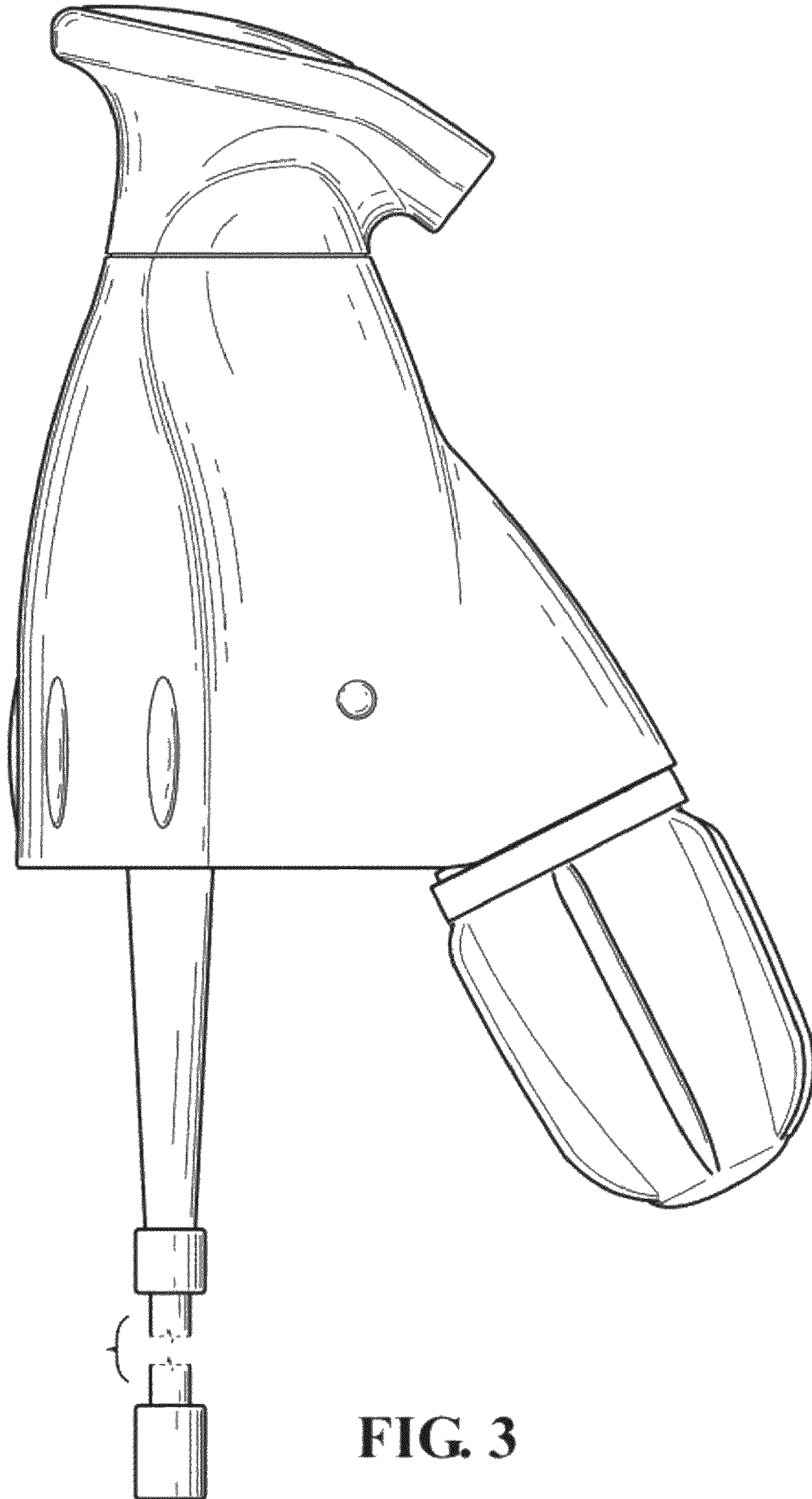
**FIG. 1**







**FIG. 2**



**FIG. 3**



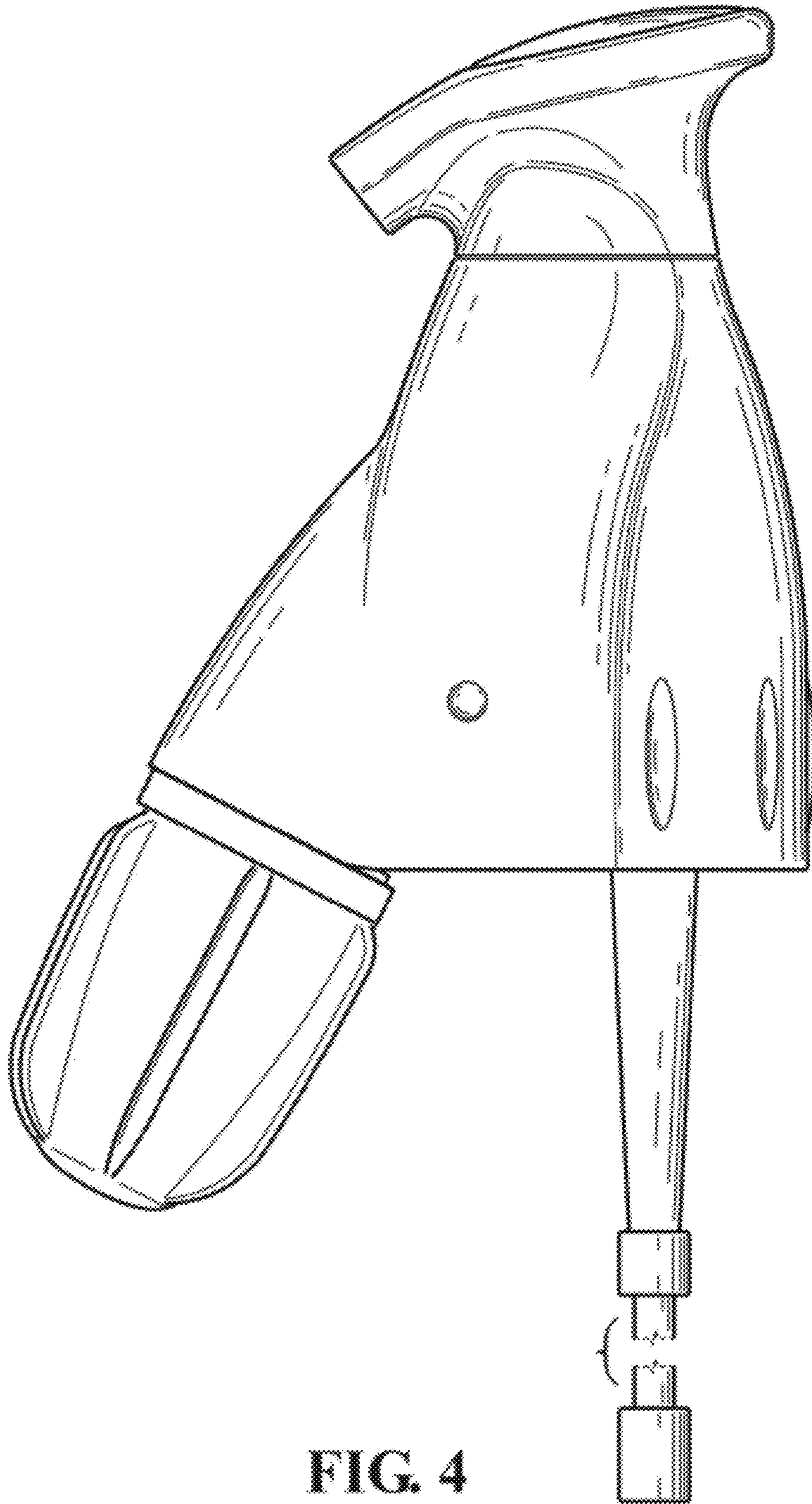
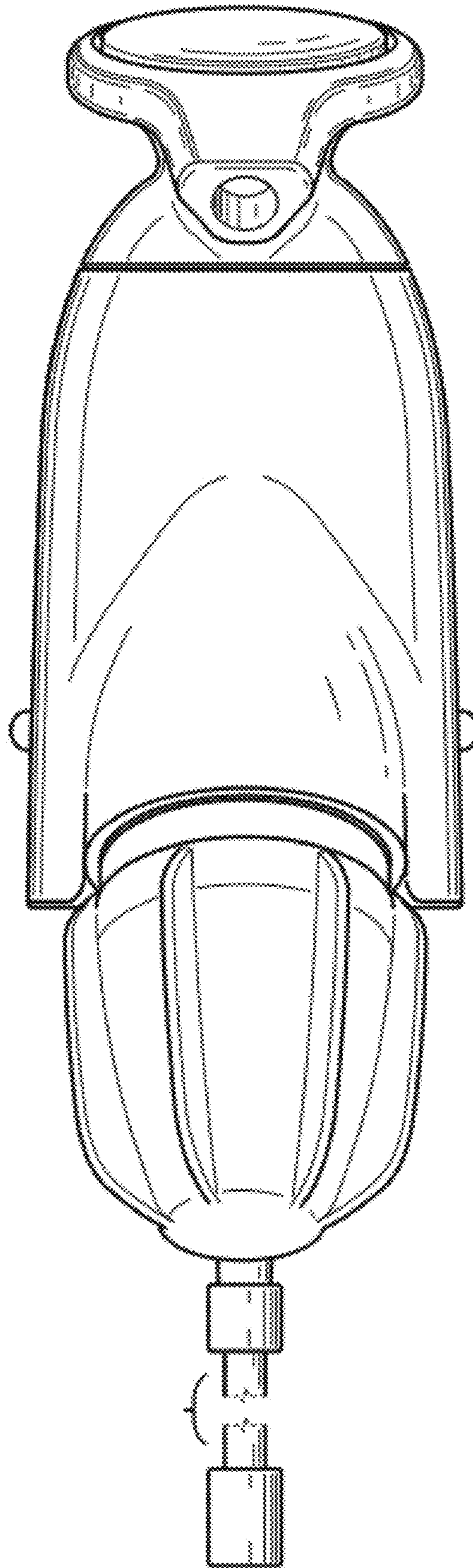
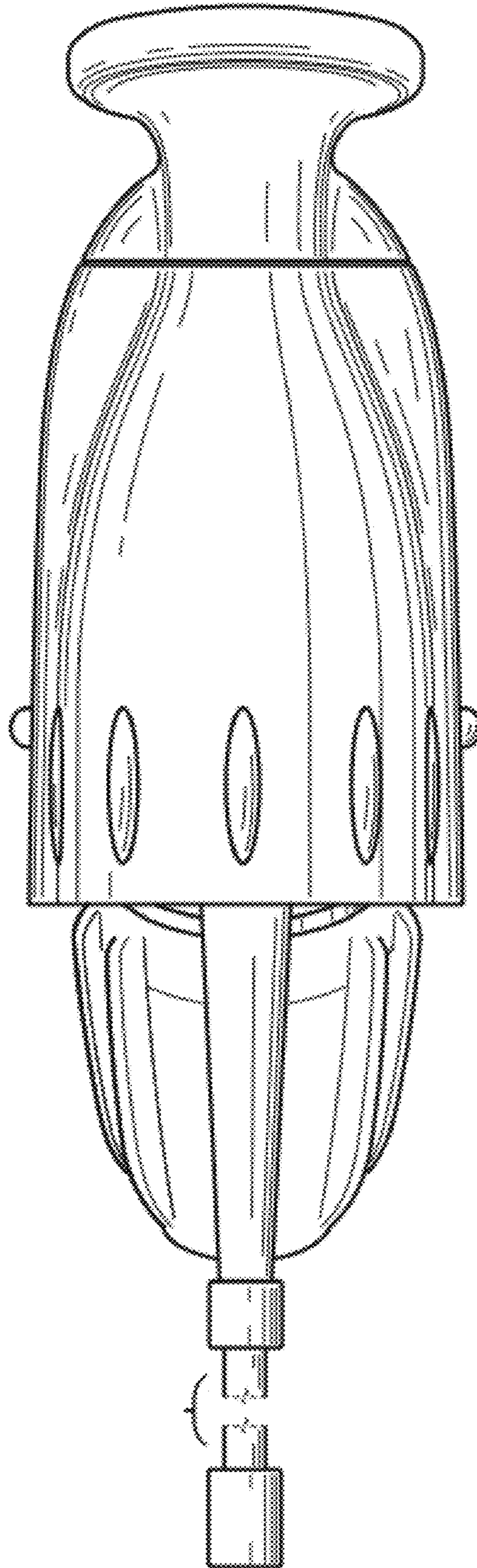


FIG. 4

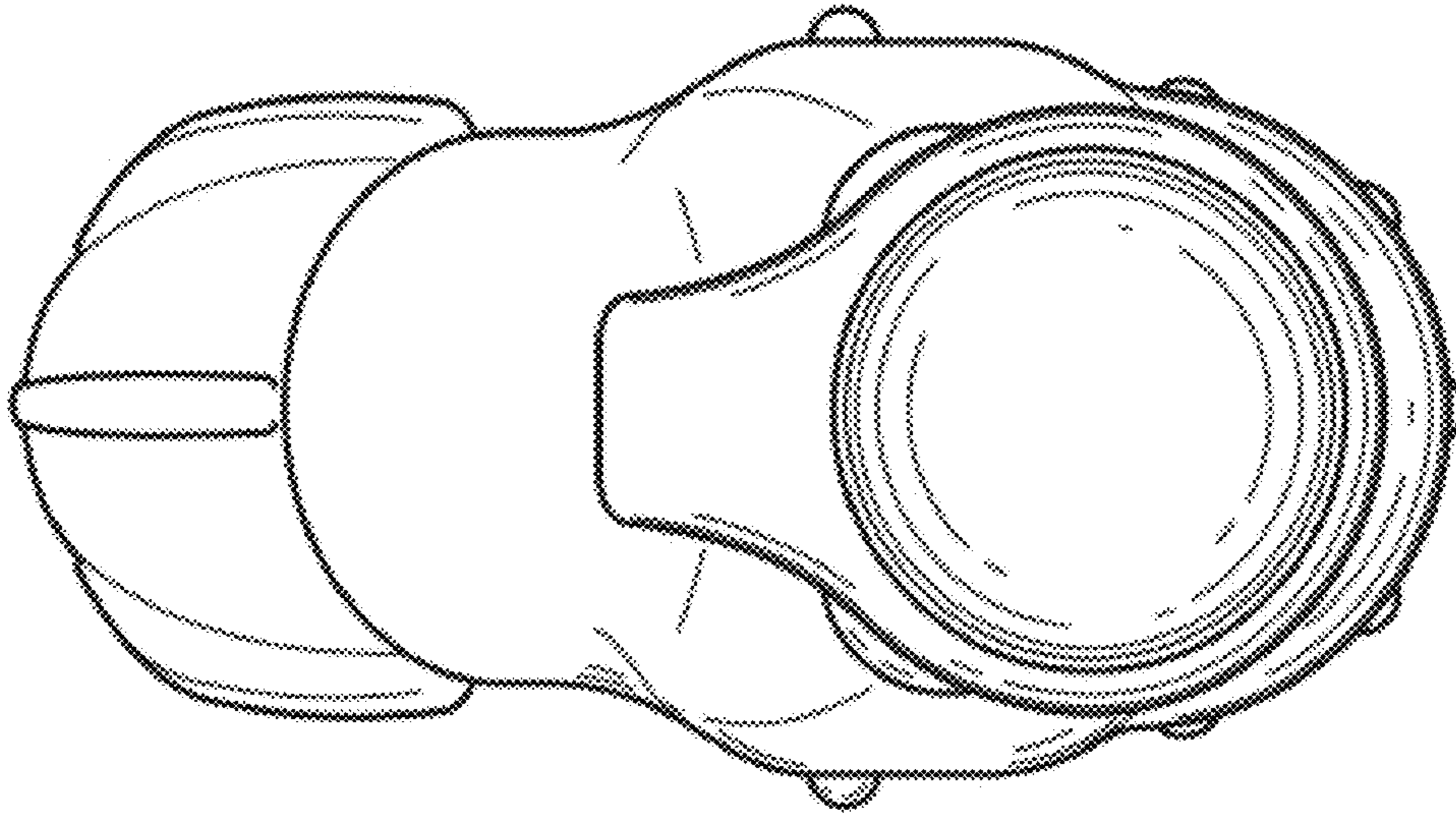
**FIG. 5**



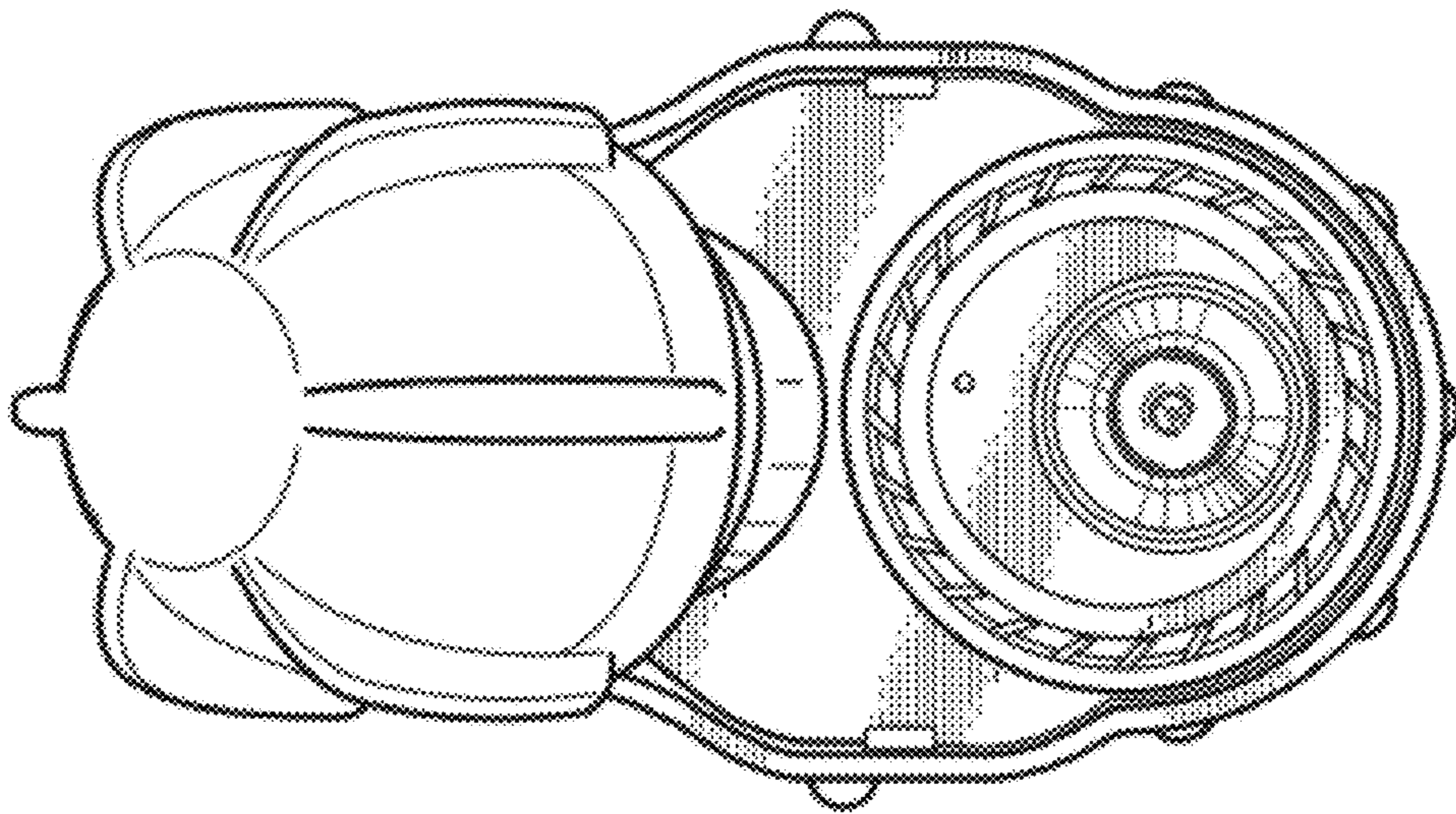
**FIG. 6**







**FIG. 7**



**FIG. 8**



**FIG. 9**

