



US00D659467S

(12) **United States Design Patent**  
**Buchanan**

(10) **Patent No.:** **US D659,467 S**

(45) **Date of Patent:** **\*\* May 15, 2012**

(54) **KITCHEN TOOL HANDLE**

D548,520 S \* 8/2007 Garbacz, Jr. .... D7/395  
D564,831 S \* 3/2008 Roberts et al. .... D7/393  
D630,395 S \* 1/2011 DiMartino .... D7/395

(75) Inventor: **Charles Evan Buchanan**, Durham, NC  
(US)

**FOREIGN PATENT DOCUMENTS**

(73) Assignee: **Progressive International Corporation**,  
Kent, WA (US)

GB 4007778 6/2008

\* cited by examiner

(\*\*) Term: **14 Years**

*Primary Examiner* — Cynthia M Chin

(21) Appl. No.: **29/405,686**

(74) *Attorney, Agent, or Firm* — Lowe Graham Jones PLLC

(22) Filed: **Nov. 4, 2011**

(57) **CLAIM**

(51) **LOC (9) Cl.** ..... **07-02**

I claim the ornamental design for a kitchen tool handle, as shown and described.

(52) **U.S. Cl.** ..... **D7/395**

(58) **Field of Classification Search** ..... D7/354–361,  
D7/393–395, 401.2, 664, 688, 691, 692, 693;  
D8/107, 300, 303, 307, 313, 321; D4/138,  
D4/129; 16/421, 430, 431, 110.1, 407;  
220/573.1–573.5, 752, 753, 755, 756, 759,  
220/767, 771, 912

**DESCRIPTION**

See application file for complete search history.

FIG. 1 is a perspective view of a kitchen tool handle, showing my new design;  
FIG. 2 is a top view of the kitchen tool handle;  
FIG. 3 is a back view of the kitchen tool handle, the front view being a mirror image;  
FIG. 4 is a right side view of the kitchen tool handle; and,  
FIG. 5 is a bottom view of the kitchen tool handle.

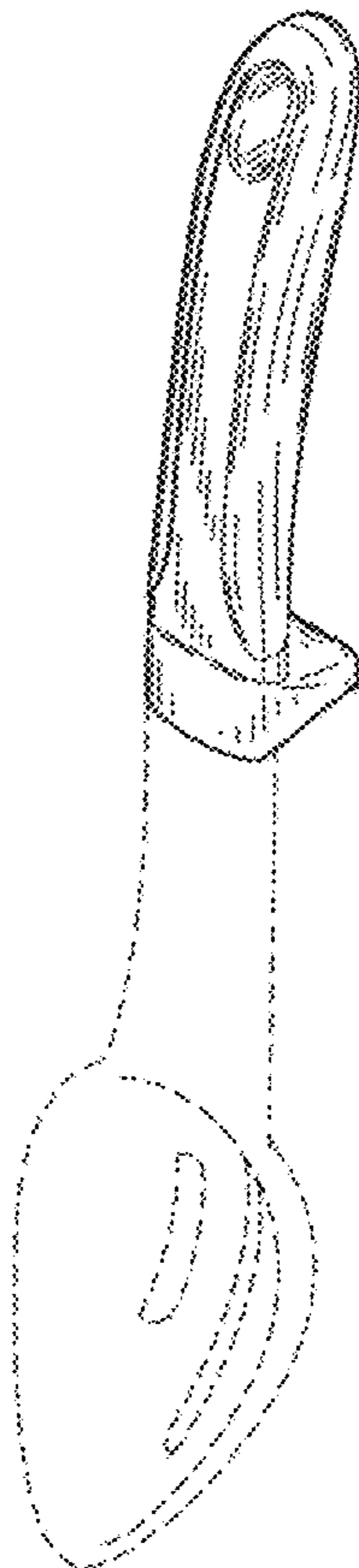
The broken lines showing an environment for a possible use of the kitchen tool handle in the drawings are for illustrative purposes only and form no part of the claimed design. The left side view is unornamented and not shown.

(56) **References Cited**

**U.S. PATENT DOCUMENTS**

2,789,349 A 4/1957 Lee  
5,590,472 A 1/1997 Yaakov  
6,030,012 A 2/2000 Hadj-Chikh et al.  
D472,099 S \* 3/2003 Grove et al. .... D7/393

**1 Claim, 3 Drawing Sheets**



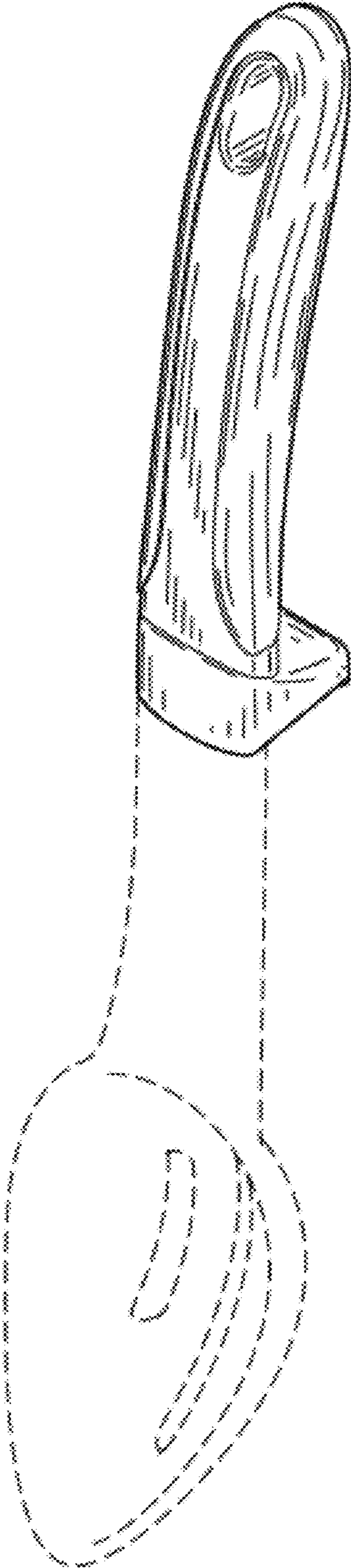


FIG.1

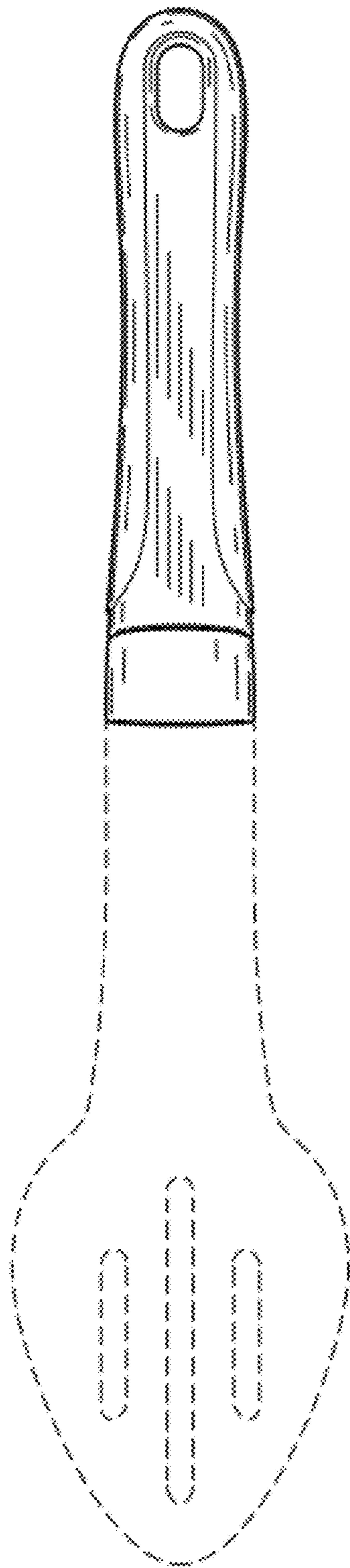


FIG. 2

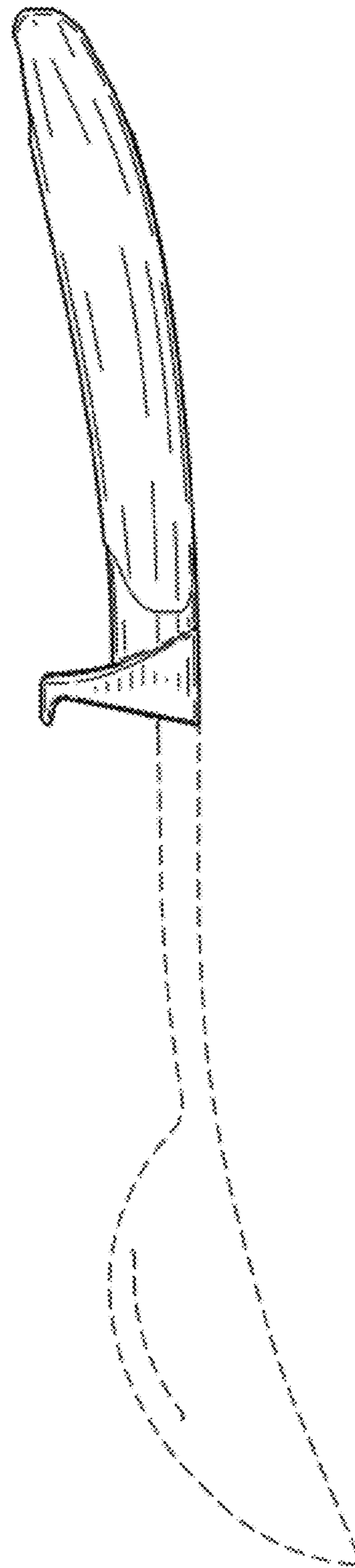


FIG. 3

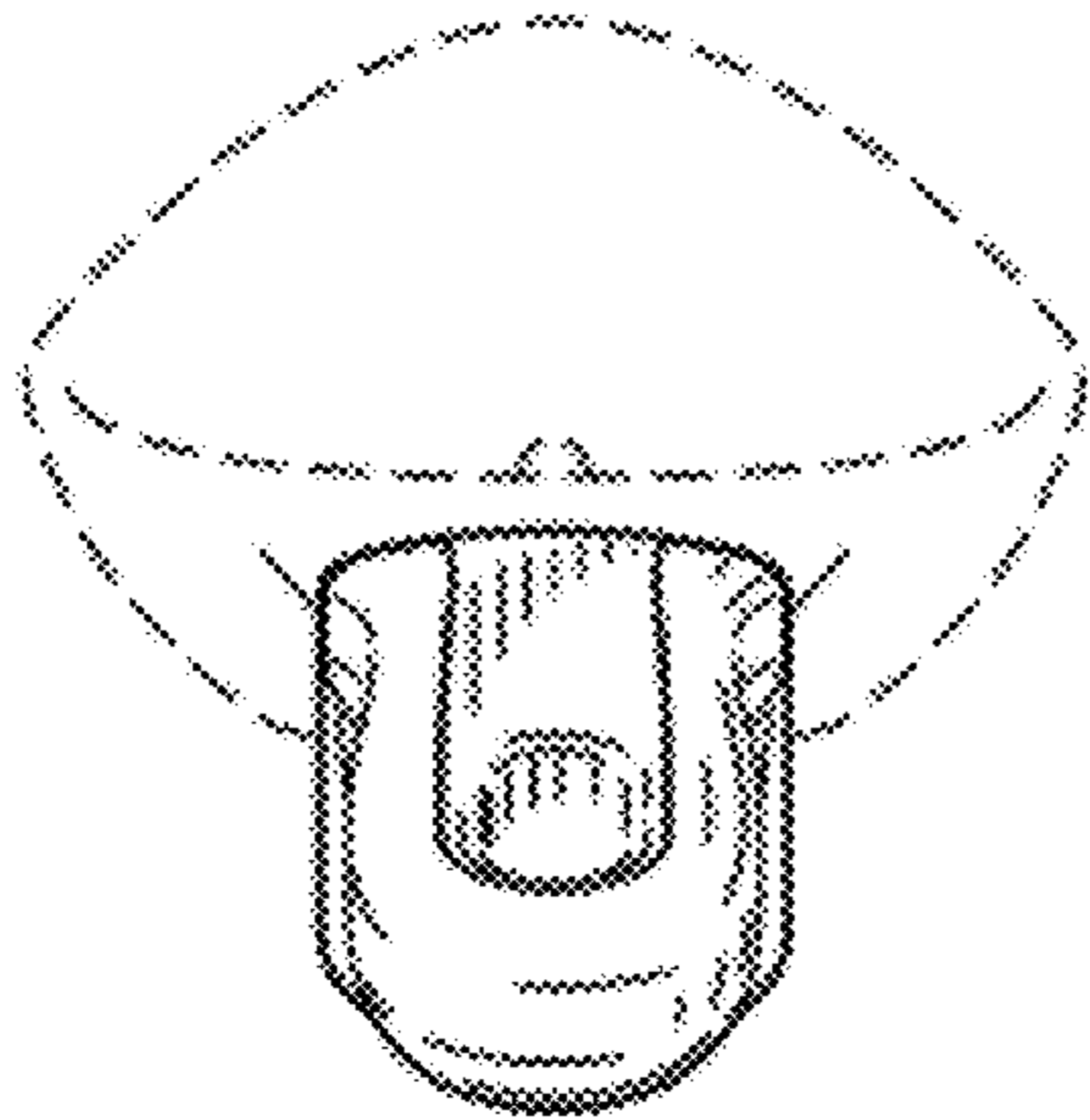


FIG. 4

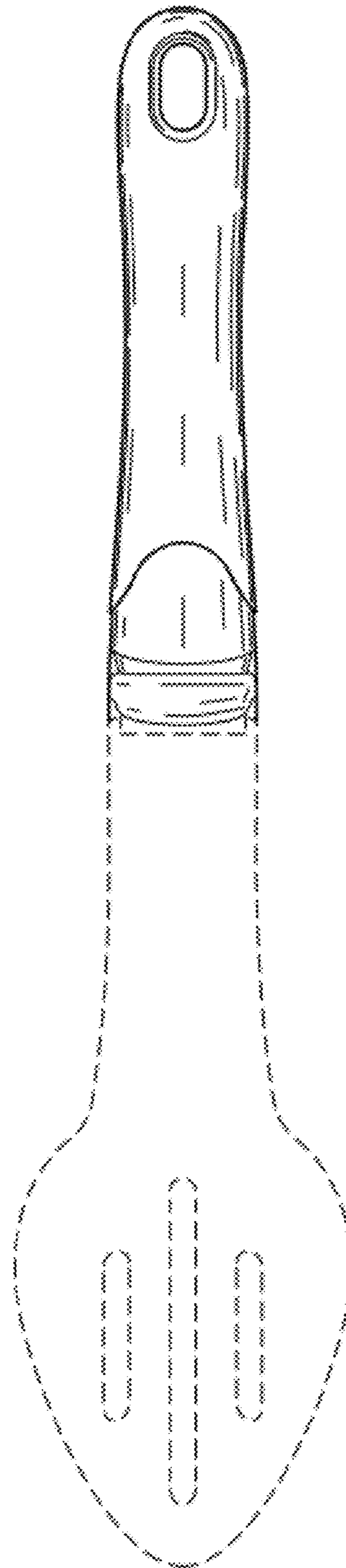


FIG. 5