



US00D659464S

(12) **United States Design Patent**  
**Albers et al.**

(10) **Patent No.:** **US D659,464 S**

(45) **Date of Patent:** **\*\* May 15, 2012**

(54) **FLEXIBLE LID WITH HOLLOW BULB AND FLARED EDGES**

**DESCRIPTION**

(76) Inventors: **Oliver Albers**, Oakland, CA (US);  
**Jeffrey Lin**, Taipei (TW)

This application claims the benefit of co-pending, commonly owned U.S. non-provisional patent application Ser. No. 11/951,749, entitled Canister With Flexible Airtight Lid, filed Dec. 6, 2007.

(\*\*) Term: **14 Years**

FIG. 1 is a perspective view of a first embodiment of a flexible lid with hollow bulb and flared edges and a canister having a rim adapted to receive the flexible lid, in accordance with the present invention;

(21) Appl. No.: **29/367,295**

(22) Filed: **Aug. 5, 2010**

(30) **Foreign Application Priority Data**

Oct. 9, 2007 (TW) ..... 96216905

Oct. 18, 2007 (CN) ..... 2007 2 0177216

(51) **LOC (9) Cl.** ..... **07-02**

(52) **U.S. Cl.** ..... **D7/391; D7/354**

(58) **Field of Classification Search** ..... D7/318,  
D7/323, 354-363, 391-396, 402, 538, 542-543,  
D7/610; 62/457.6; 99/321; 215/271; 219/620-622,  
219/725, 729-730, 734; 220/203.04, 238,  
220/255, 281, 365-367.1, 573.1-573.5, 711,  
220/713, 752-758, 767-771, 832, 912; 222/482;  
229/125.05

FIG. 2 is a cross-sectional view taken through line 2-2 of FIG. 4 of the flexible lid with hollow bulb and flared edges of FIG. 1 and canister rim, the hollow bulb of the flexible lid being squeezed by fingers;

FIG. 3 is a side view of the flexible lid with hollow bulb and flared edges of FIG. 1 positioned in the rim of the canister;

FIG. 4 is a top view thereof, wherein the flexible lid with hollow bulb and flared edges is substantially round and wherein the dashed line indicates an upward transition to the flared edges;

FIG. 5 is a cross-sectional view taken through line 5-5 of FIG. 4 thereof;

FIG. 6 is a bottom view thereof;

FIG. 7 is a top view of a second embodiment of a flexible lid with hollow bulb and flared edges in accordance with the present invention, wherein the flexible lid with hollow bulb and flared edges is substantially oval and wherein the dashed line indicates an upward transition to the flared edges;

FIG. 8 is a cross-sectional view taken through line 8-8 of FIG. 7 thereof;

FIG. 9 is a bottom view thereof;

FIG. 10 is a top view of a third embodiment of a flexible lid with hollow bulb and flared edges in accordance with the present invention, wherein the flexible lid is substantially rectangular and wherein the dashed line indicates an upward transition to the flared edges;

FIG. 11 is a cross-sectional view taken through line 11-11 of FIG. 10 thereof;

FIG. 12 is a bottom view thereof;

FIG. 13 is a top view of a fourth embodiment of a flexible lid with hollow bulb and flared edges in accordance with the present invention, wherein the flexible lid is substantially square and wherein the dashed line indicates an upward transition to the flared edges;

FIG. 14 is a cross-sectional view taken through line 14-14 of FIG. 13 thereof; and,

FIG. 15 is a bottom view thereof.

The broken lines shown in the drawings are for illustrative purposes only and form no part of the claimed design.

See application file for complete search history.

(56) **References Cited**

**U.S. PATENT DOCUMENTS**

41,392 A 1/1864 Parker

(Continued)

**FOREIGN PATENT DOCUMENTS**

WO 0026106 5/2000

**OTHER PUBLICATIONS**

Progressive International, Inc., "http://www.progressiveintl.com/proddetail.asp?ID=GT-3227&Cat=Cookware and Accessories &PerPage= ..." Dec. 6, 2007.

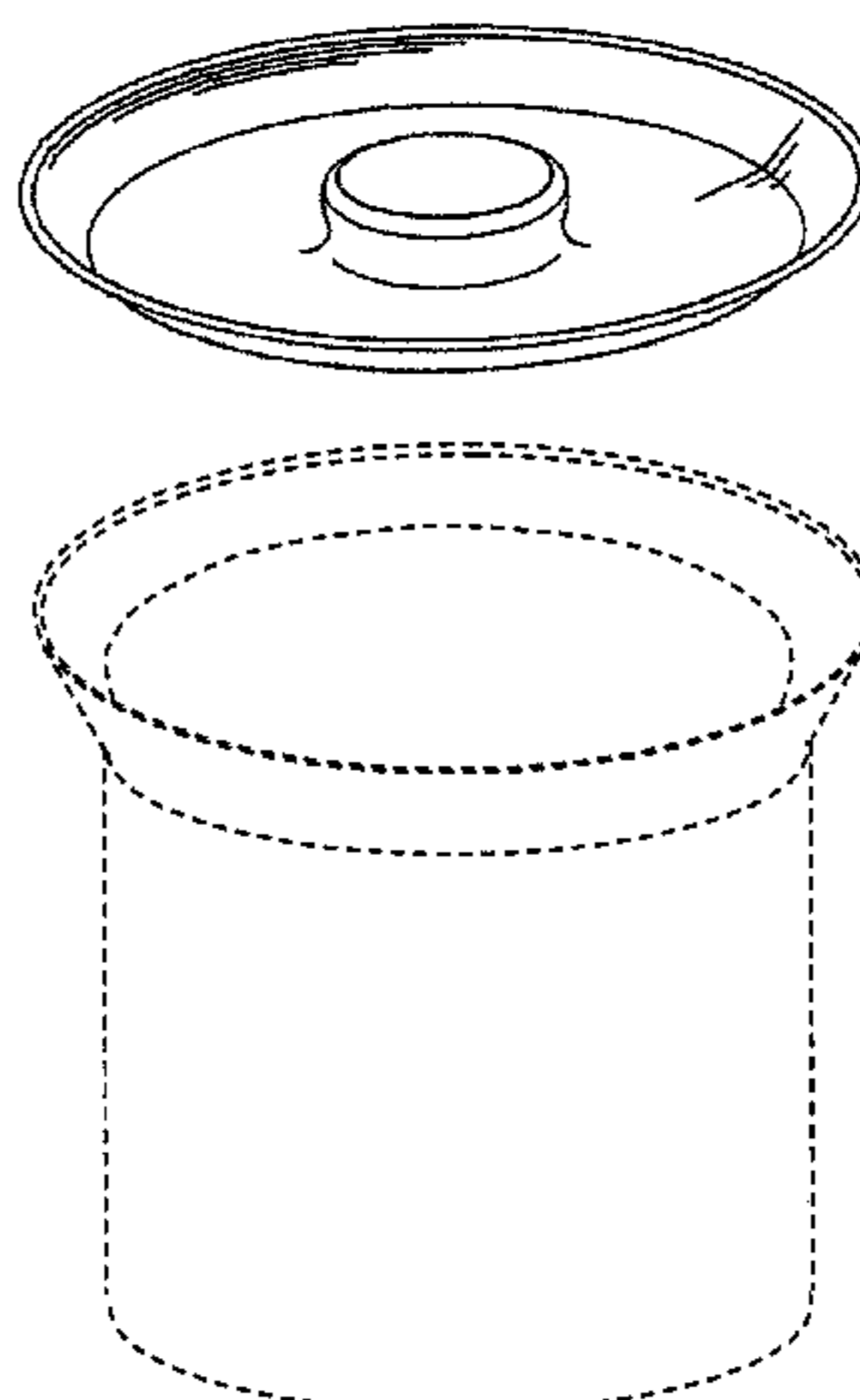
*Primary Examiner* — Ricky Pham

(74) *Attorney, Agent, or Firm* — Onello & Mello, LLP

(57) **CLAIM**

An ornamental design for a flexible lid with hollow bulb and flared edges, as shown and described.

**1 Claim, 7 Drawing Sheets**





# US D659,464 S

U.S. PATENT DOCUMENTS							
47,238	A	4/1865	Whitall	3,744,657	A	7/1973	Alpern
47,834	A	5/1865	Imlay	3,825,143	A	7/1974	Julian
49,916	A	9/1865	Perry et al.	3,924,774	A	12/1975	Donnelly
150,472	A	5/1874	Hucks	3,987,941	A	10/1976	Blessing
221,468	A	11/1879	Lane	4,016,999	A	4/1977	Denzer
324,492	A	8/1885	Schwab	4,027,776	A *	6/1977	Douglas ..... 220/281
425,113	A	4/1890	Susemihl	4,125,210	A	11/1978	Embree
506,872	A	10/1893	Chase	4,149,650	A	4/1979	Whelchel et al.
561,783	A	6/1896	Fuerth	4,218,967	A	8/1980	Batchelor
599,460	A	2/1898	Thomas	4,270,666	A	6/1981	Beckman
606,822	A	7/1898	Legrand	4,287,996	A	9/1981	Wanderer
677,900	A	7/1901	Stern	4,303,171	A	12/1981	Schremmer
697,036	A	4/1902	Stern	4,320,932	A	3/1982	Giffin
731,792	A	6/1903	Kunkel	4,360,119	A	11/1982	Olivo
742,652	A	10/1903	Hirst	4,482,047	A	11/1984	Ackermann et al.
759,830	A	5/1904	Ricke	4,500,006	A	2/1985	Lafortune et al.
798,507	A	8/1905	Hally	4,504,996	A	3/1985	Loos
871,697	A	11/1907	Hofheimer	4,537,325	A	8/1985	Zieff
909,284	A	1/1909	Colling	4,544,074	A	10/1985	Evans
1,370,170	A	3/1921	Ullman	4,592,483	A	6/1986	Scouten
1,384,038	A	7/1921	Becker	4,645,096	A	2/1987	Grant
1,403,423	A	1/1922	Le Duc	4,673,814	A	6/1987	Schroeder et al.
1,437,572	A	12/1922	Vons	4,674,644	A	6/1987	Jacobs
1,440,349	A	12/1922	Foltz	4,723,674	A	2/1988	Nunes
1,491,325	A	4/1924	Thomas, Jr.	4,794,654	A	1/1989	Diethelm
1,544,553	A	7/1925	Brady	4,799,602	A	1/1989	Collins et al.
1,651,669	A	12/1927	Carpmael	4,874,108	A	10/1989	Valasek
1,683,345	A	9/1928	Geyer	4,907,719	A	3/1990	Spotholz et al.
1,754,793	A	4/1930	Jefferys	4,979,843	A	12/1990	Perry
1,815,569	A	7/1931	Johnson	5,004,118	A	4/1991	England et al.
1,818,924	A	8/1931	Basmadjian	5,033,633	A *	7/1991	Heilman ..... 215/271
1,898,342	A	2/1933	Cuthbert	5,213,230	A	5/1993	Kral
1,947,915	A	2/1934	Marschall	5,219,091	A	6/1993	Paramski
1,978,025	A	10/1934	McCown	5,316,045	A	5/1994	Taylor
1,985,788	A	12/1934	Gore-Lloyd	5,339,981	A	8/1994	Kral
2,024,532	A	12/1935	Mancuso et al.	5,370,260	A	12/1994	Paramski
2,072,366	A	3/1937	Hein	D356,034	S	3/1995	Sugrue
2,106,880	A	2/1938	Toaz	5,398,811	A	3/1995	Latella, Jr.
2,148,995	A	2/1939	Nelson	5,405,038	A	4/1995	Chuang
2,157,624	A	5/1939	Overmyer	D363,429	S	10/1995	Lee
2,172,457	A	9/1939	Schwartz	5,472,542	A	12/1995	Wermund
2,173,843	A	9/1939	Hothersall	5,503,189	A	4/1996	Lamendola
2,266,270	A	12/1941	Roth	5,564,480	A	10/1996	Chen
2,313,845	A	3/1943	Sundholm	5,597,088	A	1/1997	Fingerle et al.
2,429,984	A	11/1947	Berglund	5,605,241	A	2/1997	Imperioli
2,582,489	A	1/1952	Krueger	5,653,447	A	8/1997	Cress
2,663,451	A	12/1953	Yarnall	5,707,823	A	1/1998	Carr et al.
2,709,046	A	5/1955	Hyde	5,787,516	A	8/1998	Davenport
2,716,504	A	8/1955	Martin	5,799,814	A	9/1998	Schaefer et al.
2,726,012	A	12/1955	Jensen	5,806,566	A	9/1998	Taylor
2,801,021	A	7/1957	Wood	5,806,704	A	9/1998	Jamison
2,828,886	A	4/1958	Thomas	5,927,183	A	7/1999	Lee
2,858,989	A	11/1958	Jordan	5,955,127	A	9/1999	Glaser
2,870,906	A	1/1959	Harkness et al.	5,974,686	A	11/1999	Nomura et al.
2,907,467	A	10/1959	Machate, Jr.	5,979,689	A *	11/1999	Lansky ..... 220/255
2,916,174	A	12/1959	Orr	6,082,410	A	7/2000	Pohar
2,946,606	A	7/1960	Smith	6,095,357	A	8/2000	Heiner et al.
2,966,276	A	12/1960	Hing	6,105,810	A	8/2000	Daenen et al.
3,005,996	A	10/1961	Hyde	D432,857	S *	10/2000	Ming-Shiue ..... D7/392.1
3,080,993	A	3/1963	Livingstone	6,194,011	B1	2/2001	Glaser
3,142,409	A	7/1964	Ross	6,307,193	B1	10/2001	Toole
3,163,311	A	12/1964	Stolk	6,364,152	B1	4/2002	Poslinski et al.
3,163,314	A	12/1964	Mauser	6,478,218	B1 *	11/2002	Boatwright et al. .... 229/125.05
3,164,289	A	1/1965	Cocchiarella	6,488,173	B2 *	12/2002	Milan ..... 220/713
3,244,308	A	4/1966	Esposito, Jr.	6,490,738	B2	12/2002	Blaney
3,250,417	A	5/1966	Powers, Jr. et al.	6,659,302	B2 *	12/2003	Lin ..... 220/254.8
3,315,872	A	4/1967	Carbone	6,685,046	B2	2/2004	Ogino
3,317,069	A	5/1967	Chin	6,726,047	B2	4/2004	Lin
3,405,832	A	10/1968	Lukesch et al.	6,934,975	B2	8/2005	Hope et al.
3,414,160	A	12/1968	Weber	6,945,014	B1	9/2005	Quann
3,416,712	A	12/1968	Shastal	6,973,945	B2	12/2005	Haimi
3,465,923	A	9/1969	Konefal	7,168,589	B2 *	1/2007	Dark ..... 220/711
3,490,083	A	1/1970	Firth	7,204,383	B2 *	4/2007	Hsu ..... 220/238
3,561,668	A	2/1971	Bergstrom	7,255,244	B2	8/2007	Miller
3,672,114	A	6/1972	Sacks	7,299,941	B2	11/2007	McMahon, III et al.
3,692,208	A	9/1972	Croyle et al.	7,571,675	B1	8/2009	Cappadona et al.
3,727,808	A	4/1973	Fitzgerald	7,628,288	B2	12/2009	Edwards
3,730,399	A *	5/1973	Dibrell et al. .... 222/482	7,806,044	B2 *	10/2010	Lin ..... 99/321
				8,011,205	B2 *	9/2011	Roth et al. .... 62/457.6

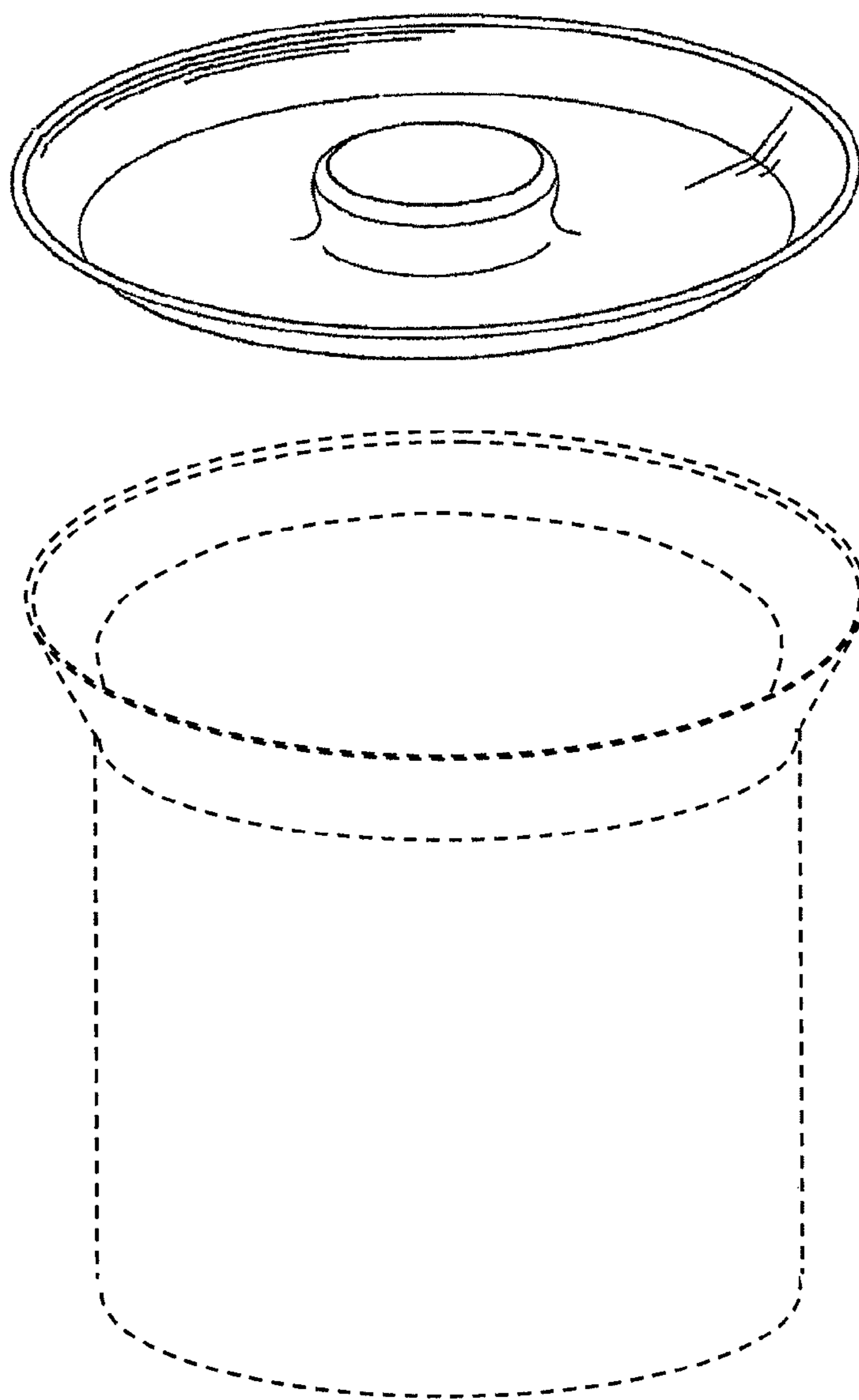
# US D659,464 S

Page 3

---

2002/0066732	A1 *	6/2002	Ogino .....	220/203.04	2007/0050901	A1	3/2007	Hung
2004/0238544	A1	12/2004	Miller		2007/0215624	A1	9/2007	Smallwood
2004/0262309	A1	12/2004	Edwards		2007/0241107	A1	10/2007	Matsumoto et al.
2005/0051551	A1	3/2005	Galletti et al.		2007/0292574	A1	12/2007	Ling et al.
2006/0032852	A1	2/2006	Cai		2009/0090714	A1	4/2009	Albers et al.
2006/0151511	A1	7/2006	Kaposi					
2006/0169693	A1	8/2006	Yeung					

\* cited by examiner



**FIG. 1**

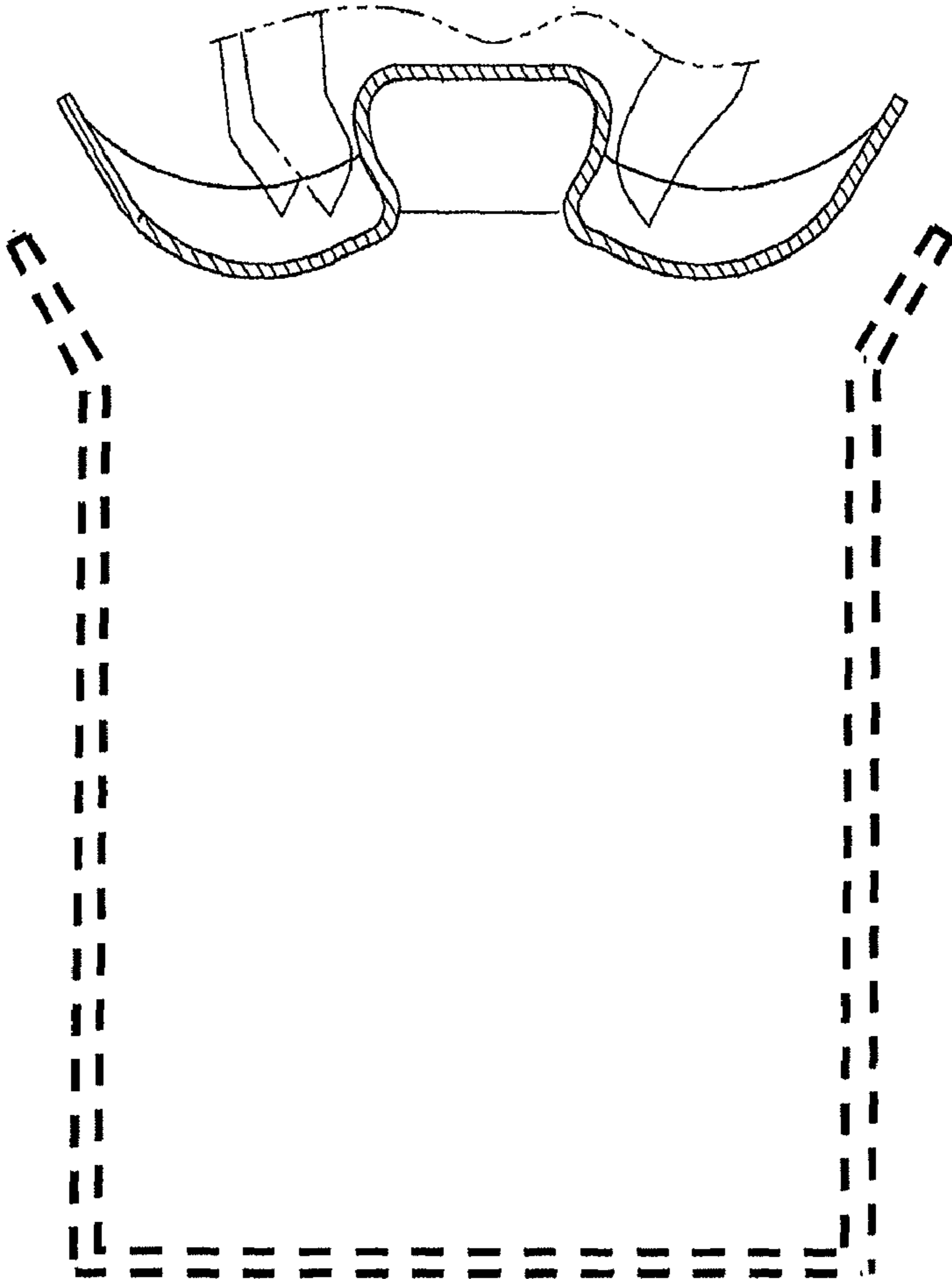
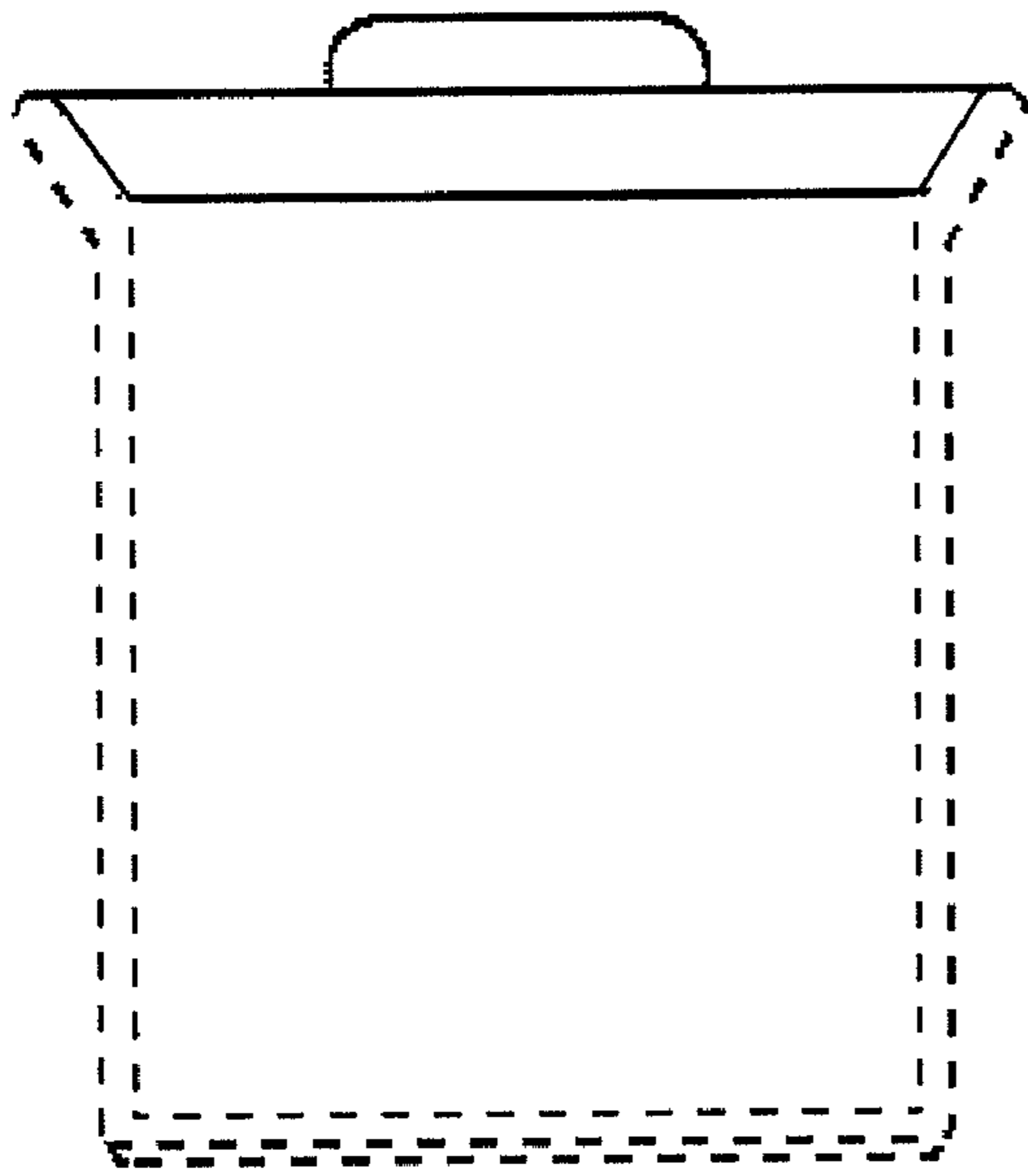
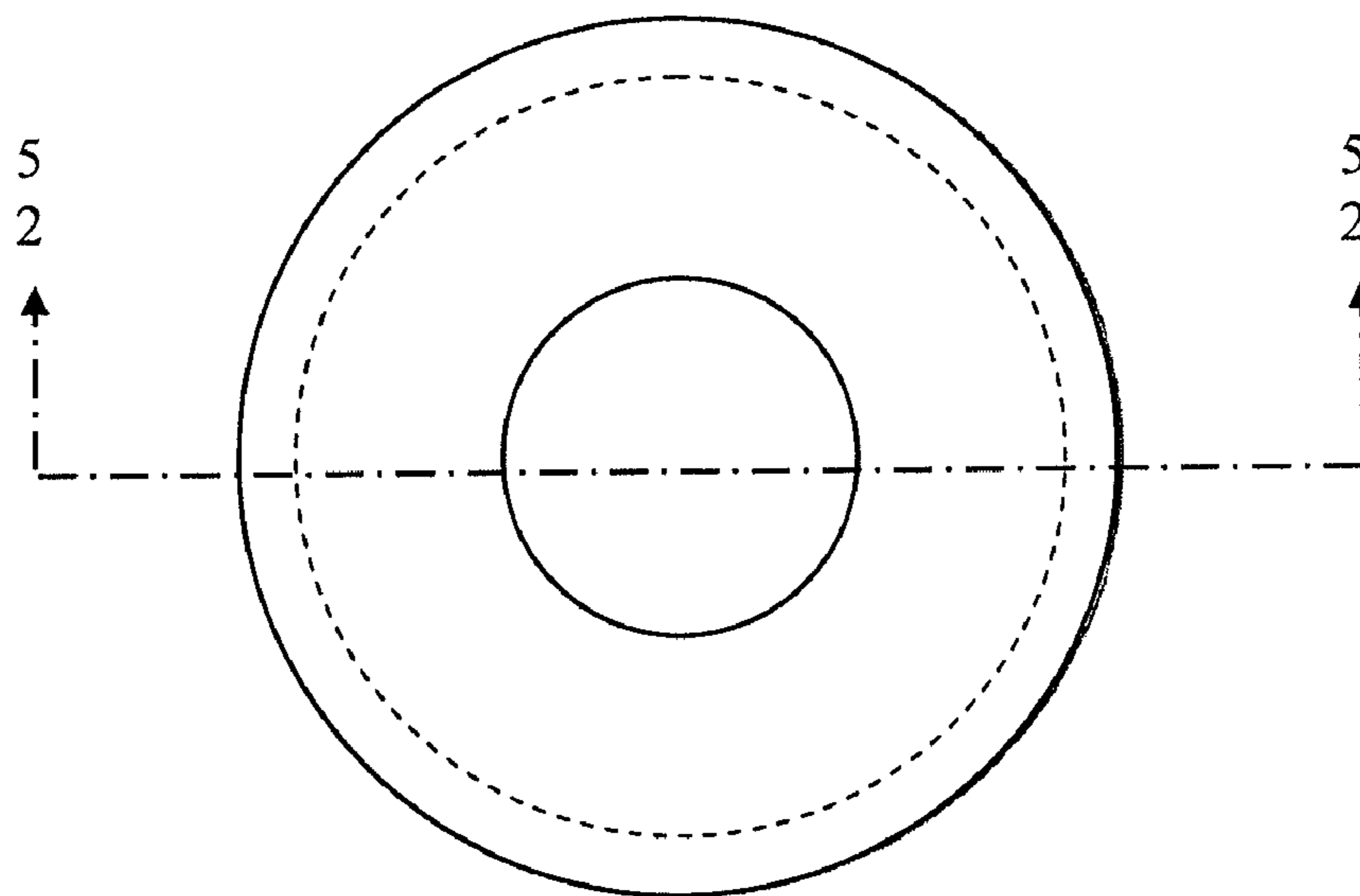


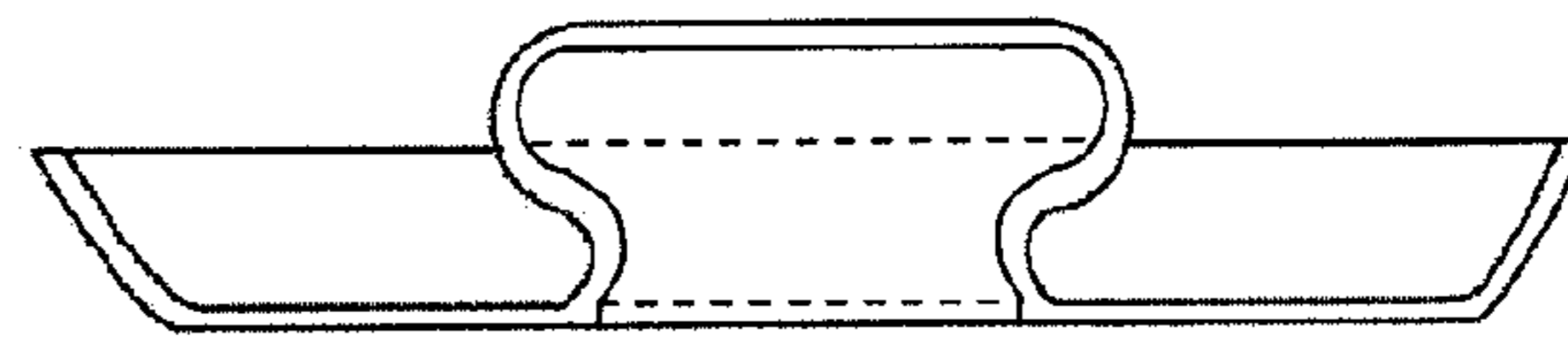
FIG. 2



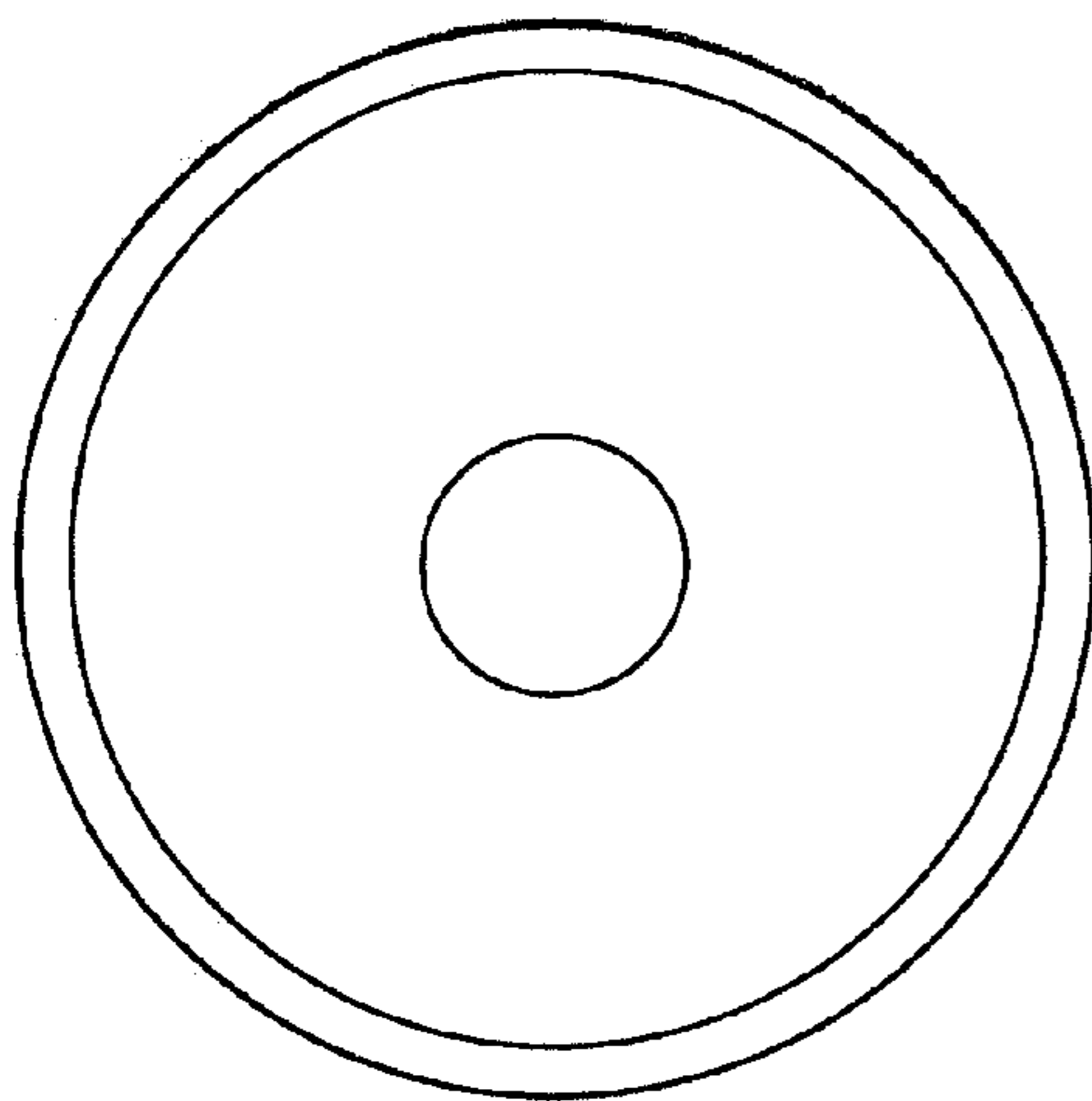
**FIG. 3**



**FIG. 4**

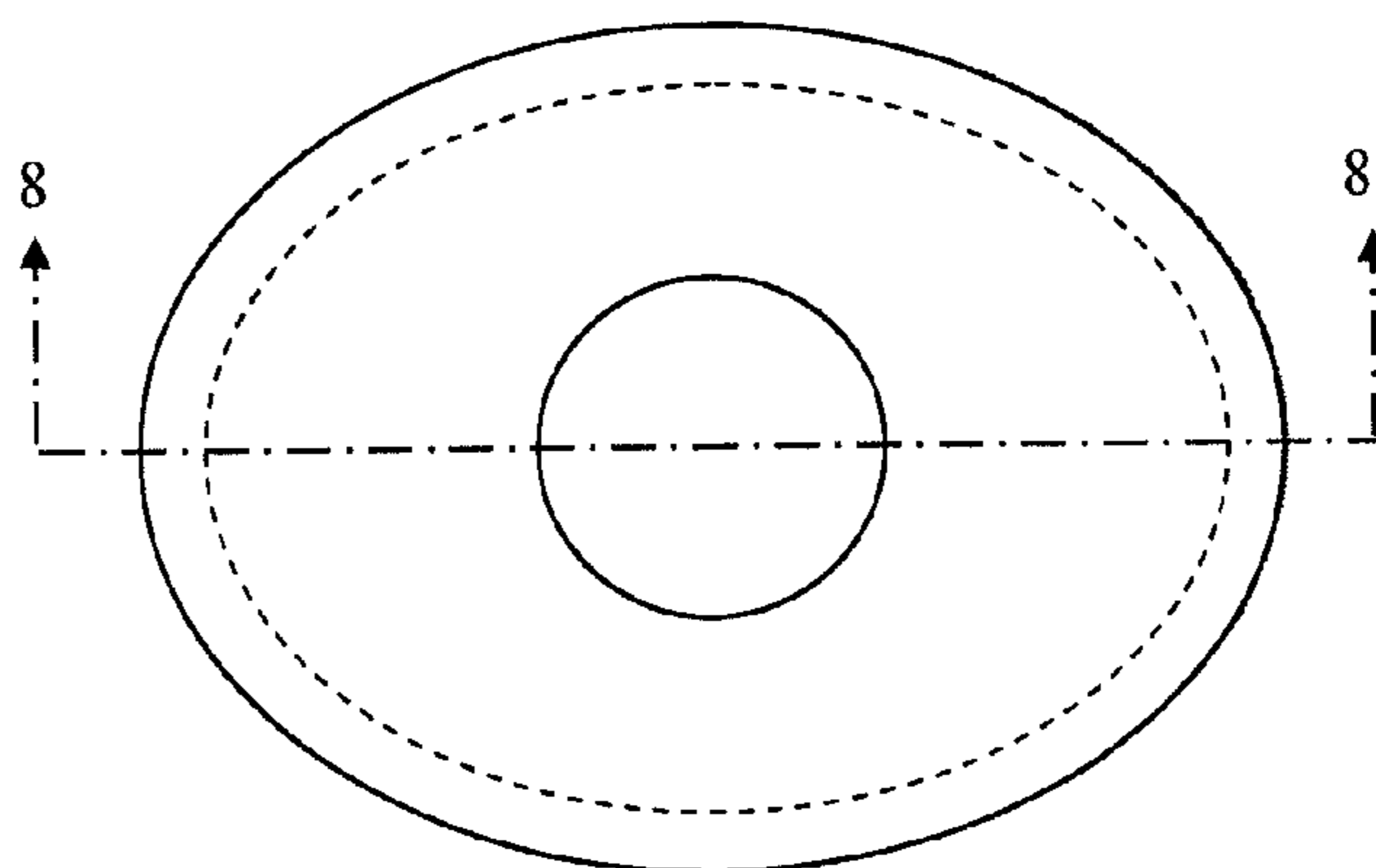


**FIG. 5**

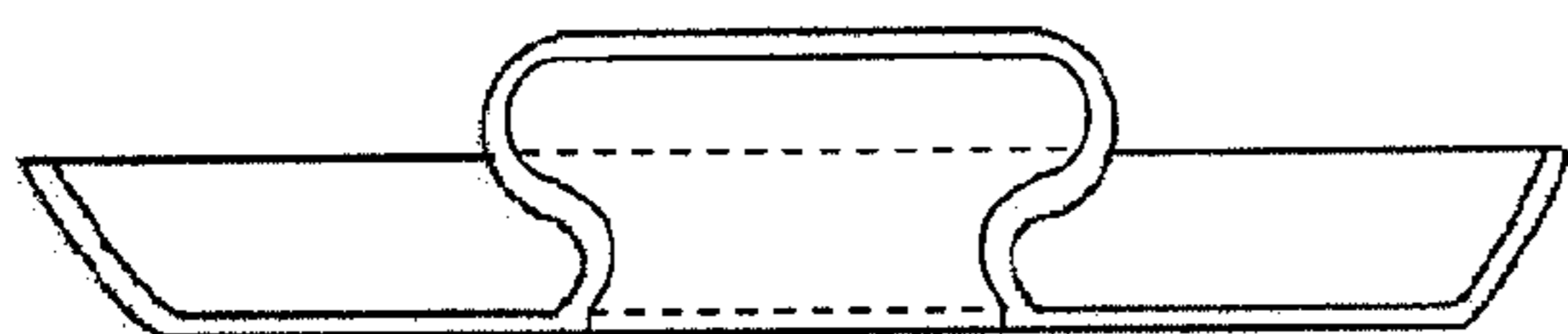


**FIG. 6**

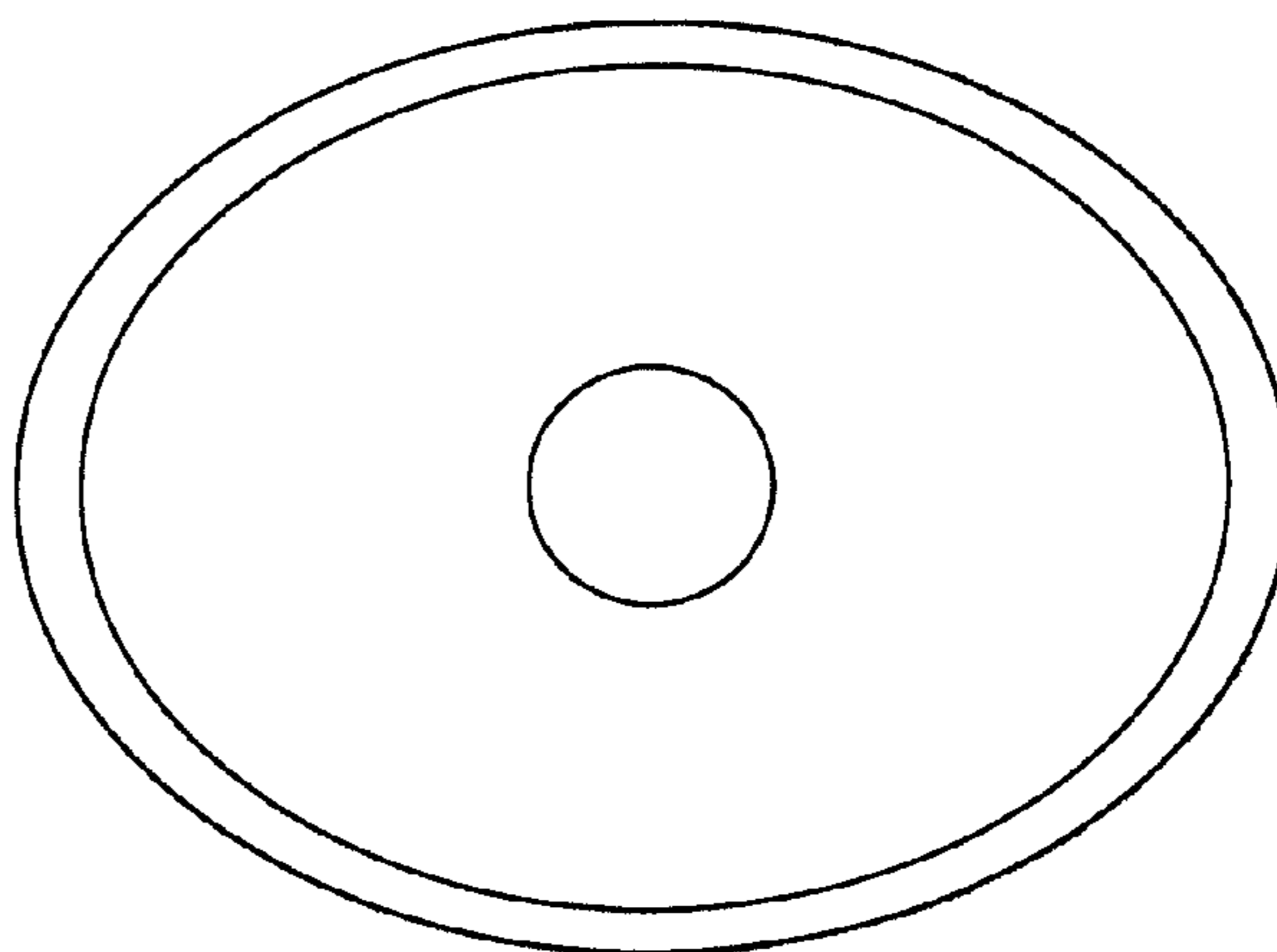




**FIG. 7**

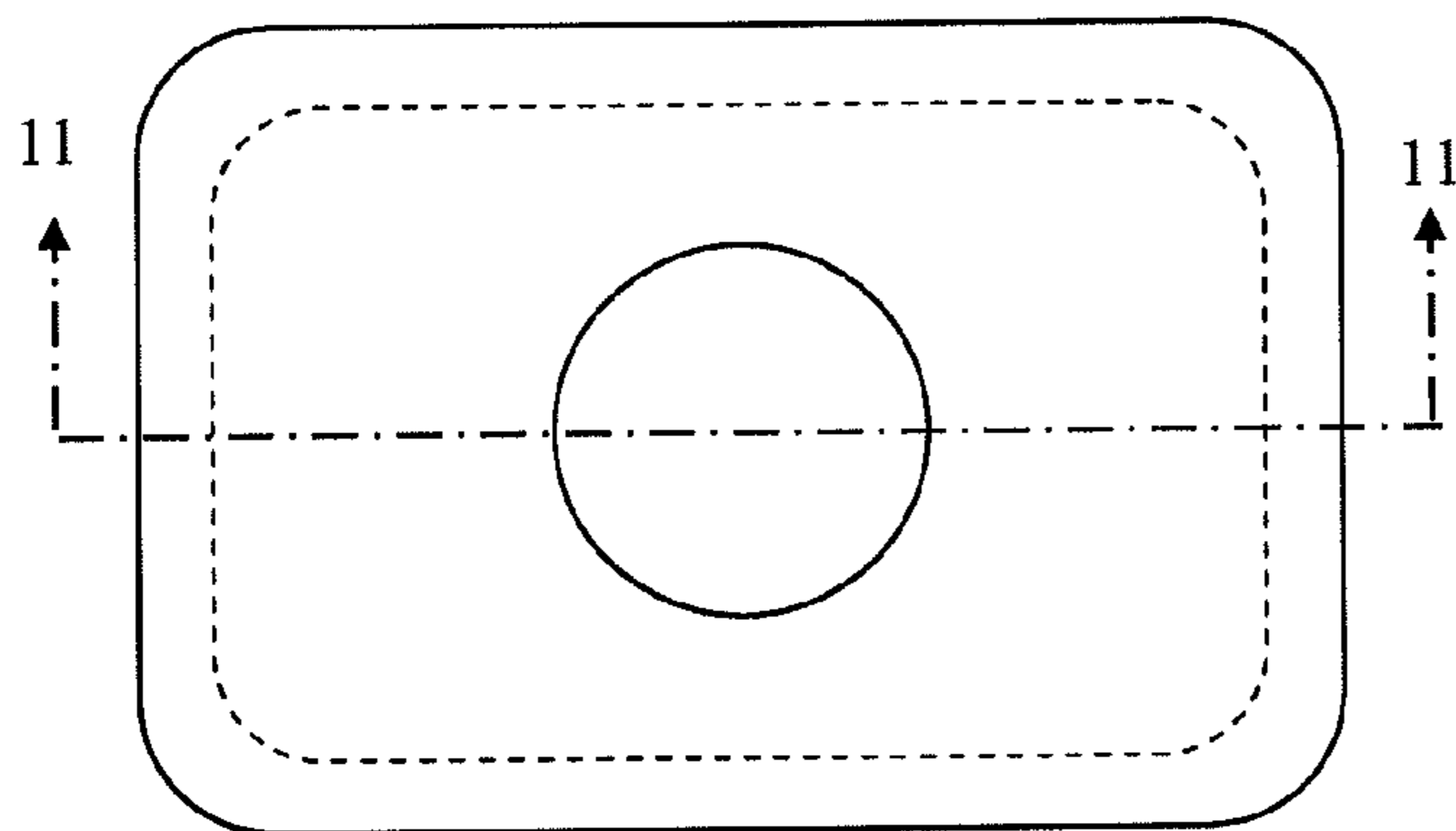


**FIG. 8**

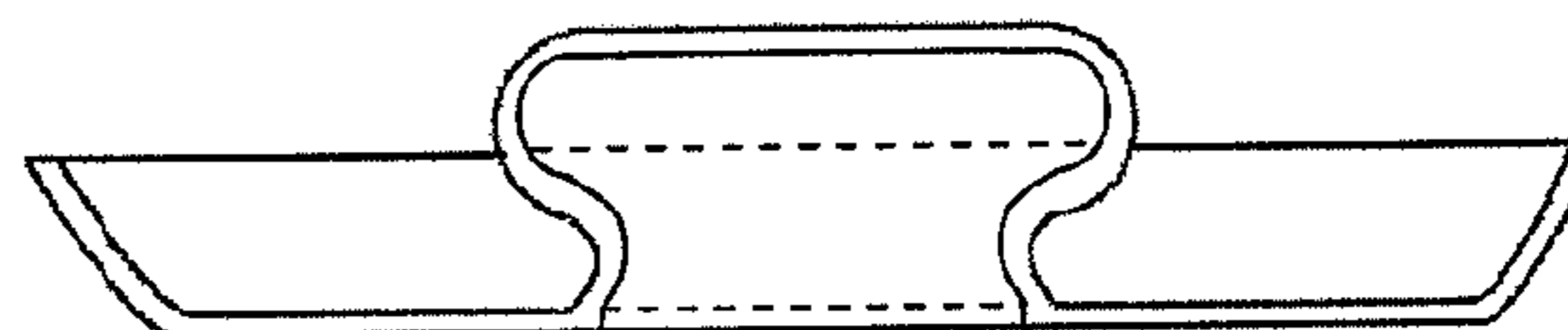


**FIG. 9**

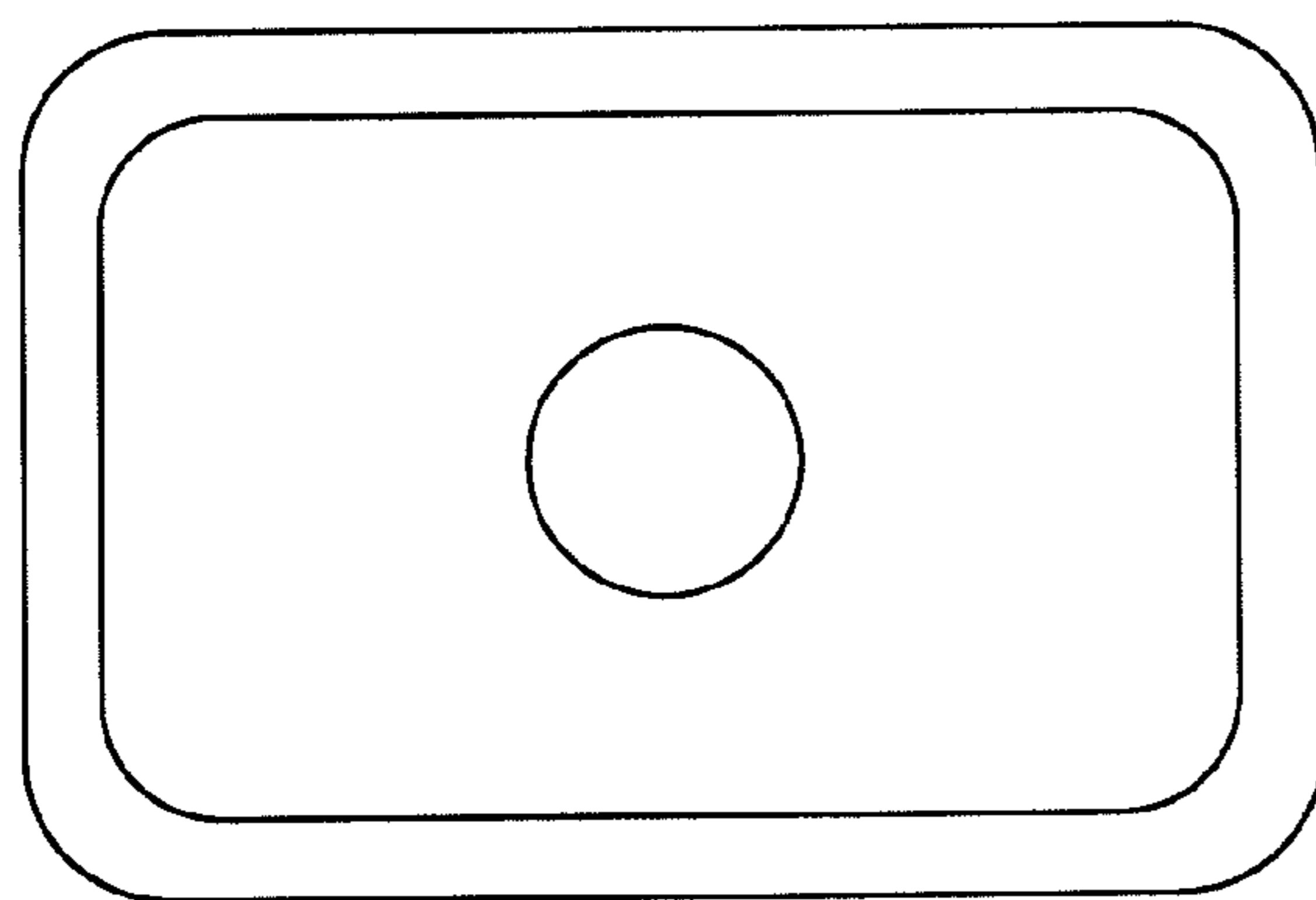




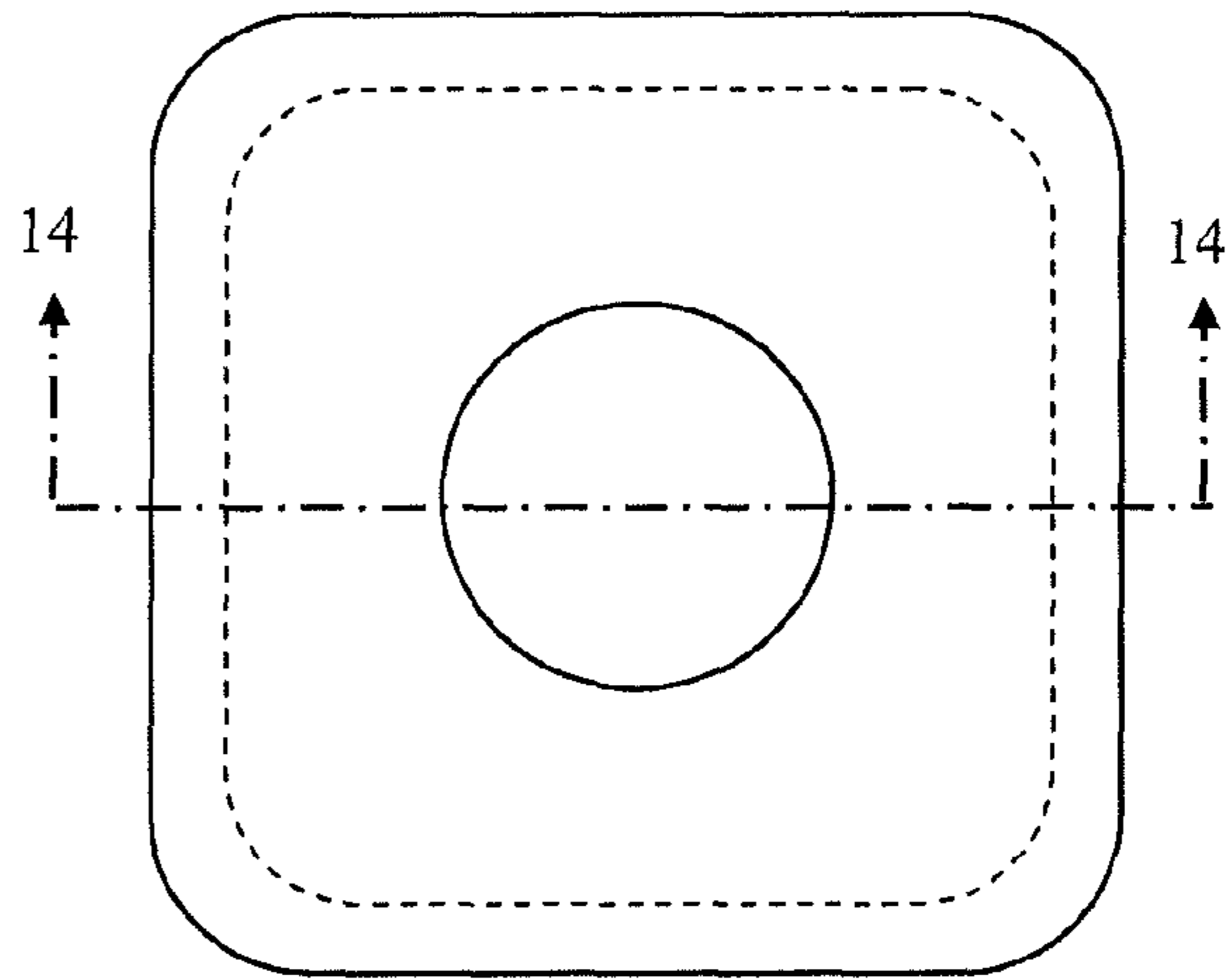
**FIG. 10**



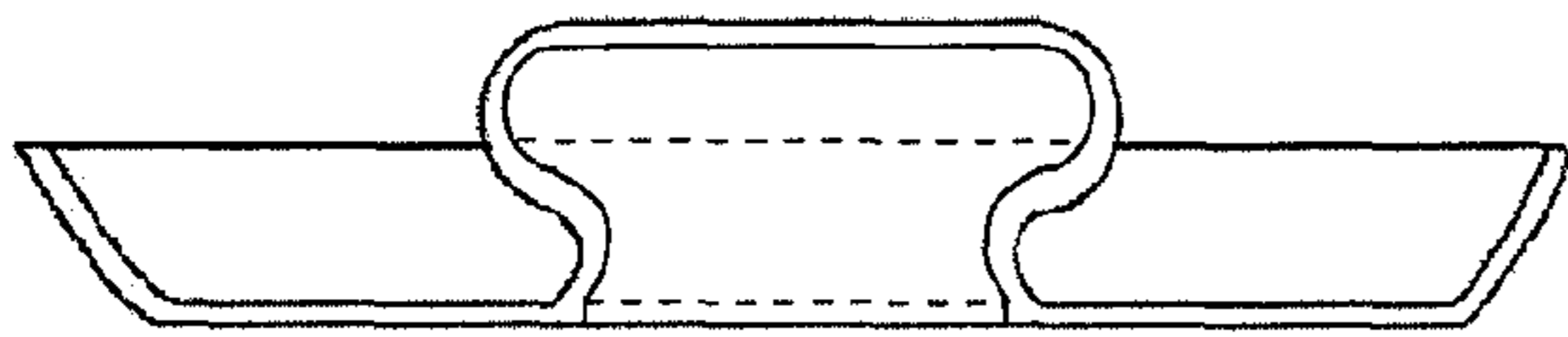
**FIG. 11**



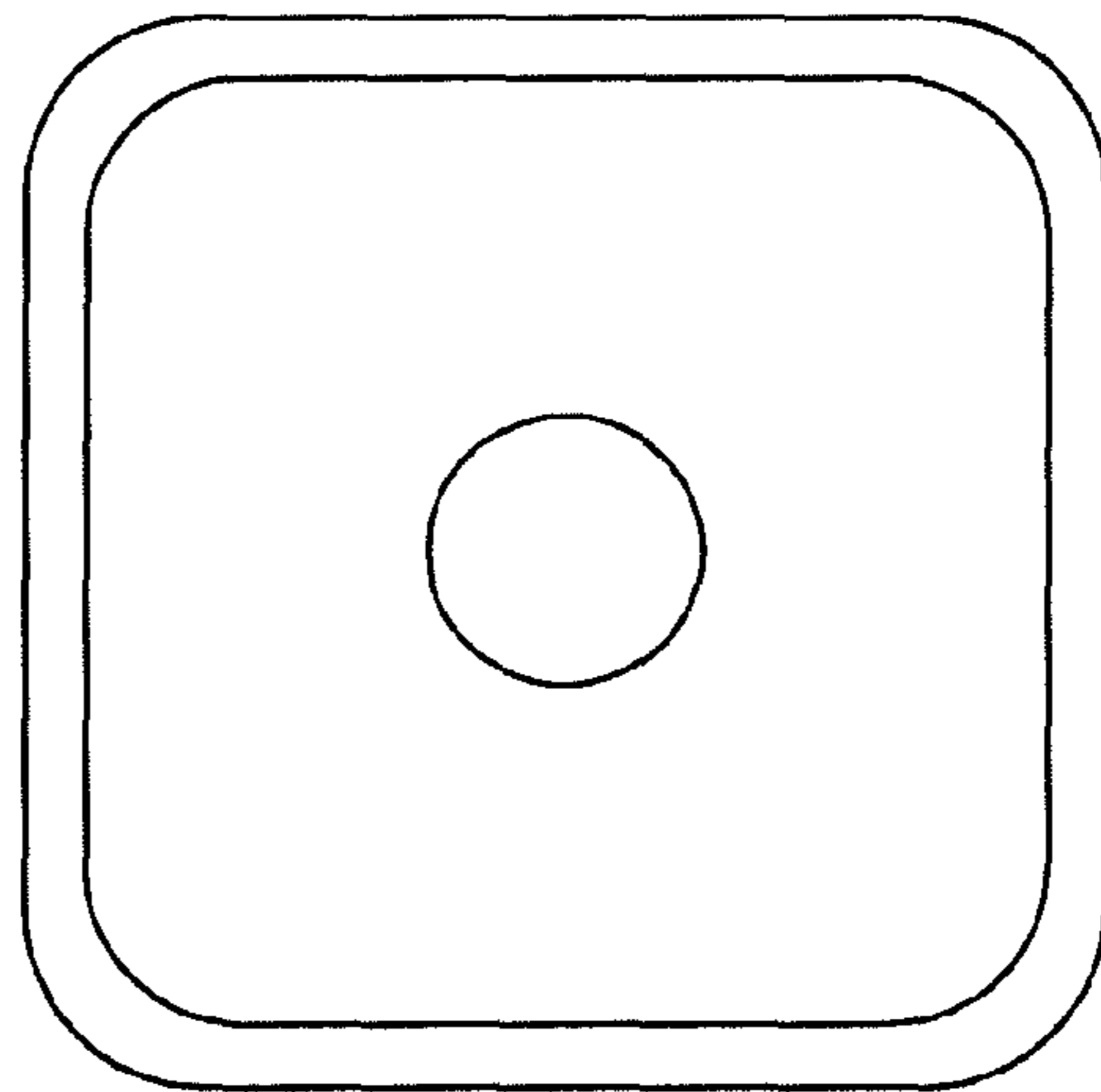
**FIG. 12**



**FIG. 13**



**FIG. 14**



**FIG. 15**

UNITED STATES PATENT AND TRADEMARK OFFICE  
**CERTIFICATE OF CORRECTION**

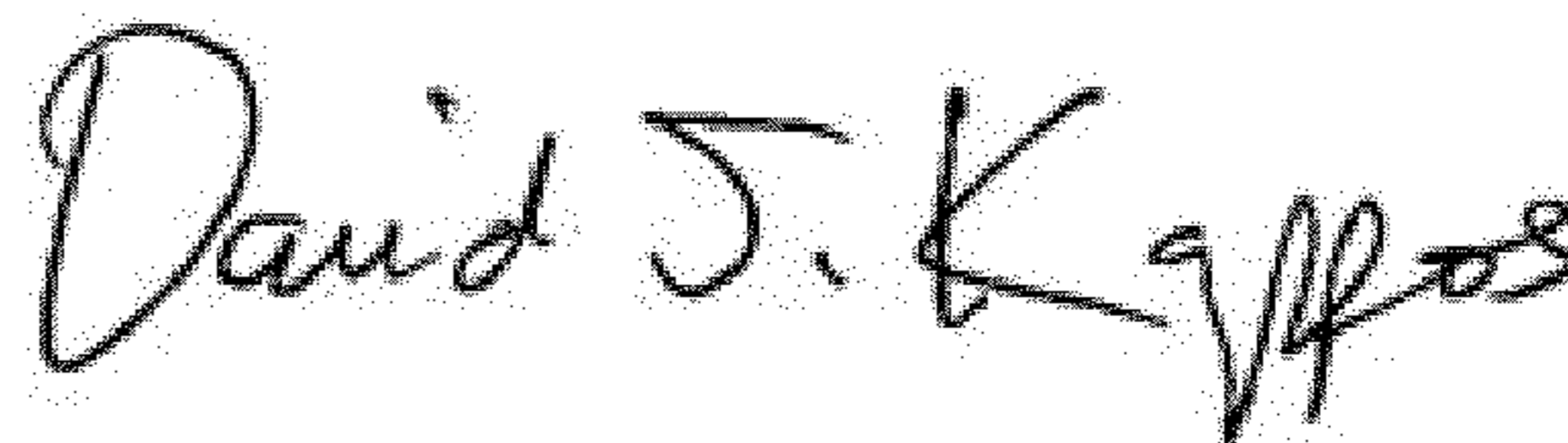
PATENT NO. : D659,464 S  
APPLICATION NO. : 29/367295  
DATED : May 15, 2012  
INVENTOR(S) : Oliver Albers et al.

Page 1 of 1

It is certified that error appears in the above-identified patent and that said Letters Patent is hereby corrected as shown below:

Title page, under Item (63) Related U.S. Application Data, insert -- U.S. Application No. 11/951,749,  
filed on December 6, 2007 --

Signed and Sealed this  
Second Day of October, 2012

A handwritten signature in black ink that reads "David J. Kappos". The signature is written in a cursive style with a large initial "D" and "K".

David J. Kappos  
*Director of the United States Patent and Trademark Office*