

US00D659462S

(12) **United States Design Patent**
Hundley et al.

(10) **Patent No.:** **US D659,462 S**

(45) **Date of Patent:** **** May 15, 2012**

(54) **KETTLE**

(75) Inventors: **Jill E. Hundley**, Sheboygan, WI (US);
Michael I. Hebden, Kohler, WI (US)

(73) Assignee: **The Vollrath Company, L.L.C.**,
Sheboygan, WI (US)

(**) Term: **14 Years**

(21) Appl. No.: **29/404,159**

(22) Filed: **Oct. 17, 2011**

(51) **LOC (9) Cl.** **07-02**

(52) **U.S. Cl.** **D7/354; D7/402**

(58) **Field of Classification Search** D7/323,
D7/354-363, 402, 505, 538-545, 552.1, 554.3-554.4,
D7/560, 566, 585-588, 601-602, 610-615,
D7/628-629, 675; D9/424-432, 456, 522,
D9/643, 760-761; 99/324, 426; 219/432-435;
220/23.2-23.6, 573.1-573.3, 574-575, 657,
220/780-806, 912; 249/117, 121-122, 126,
249/134

See application file for complete search history.

(56) **References Cited**

U.S. PATENT DOCUMENTS

D300,598 S * 4/1989 Ueda et al. D7/360
D376,724 S * 12/1996 Mendelson et al. D7/360
D425,360 S * 5/2000 Dobson et al. D7/360
D433,869 S * 11/2000 Wong et al. D7/360
D450,528 S * 11/2001 Rossman D7/360

7,291,812 B2 * 11/2007 Kaney et al. 219/435
D556,504 S * 12/2007 Averty D7/360
D590,654 S * 4/2009 Perkins et al. D7/354
D641,202 S * 7/2011 Bock et al. D7/357
D642,422 S * 8/2011 Averty D7/358
D642,856 S * 8/2011 Bock et al. D7/357
D646,114 S * 10/2011 Wong D7/357
2008/0083730 A1 * 4/2008 Dolgov et al. 219/432

OTHER PUBLICATIONS

Vollrath 2011-2012 Catalog, "Prep, Cook, Serve, Solved", 3-7 to
3-15, 3-20, 7-3 to 7-40, 49 pages total.

* cited by examiner

Primary Examiner — Ricky Pham

(74) *Attorney, Agent, or Firm* — Foley & Lardner LLP

(57) **CLAIM**

We claim the ornamental design for a kettle, as shown and
described.

DESCRIPTION

FIG. 1 is a front perspective view from above of the claimed
design;

FIG. 2 is a front view of the claimed design;

FIG. 3 is a rear view of the claimed design;

FIG. 4 is a left side view of the claimed design;

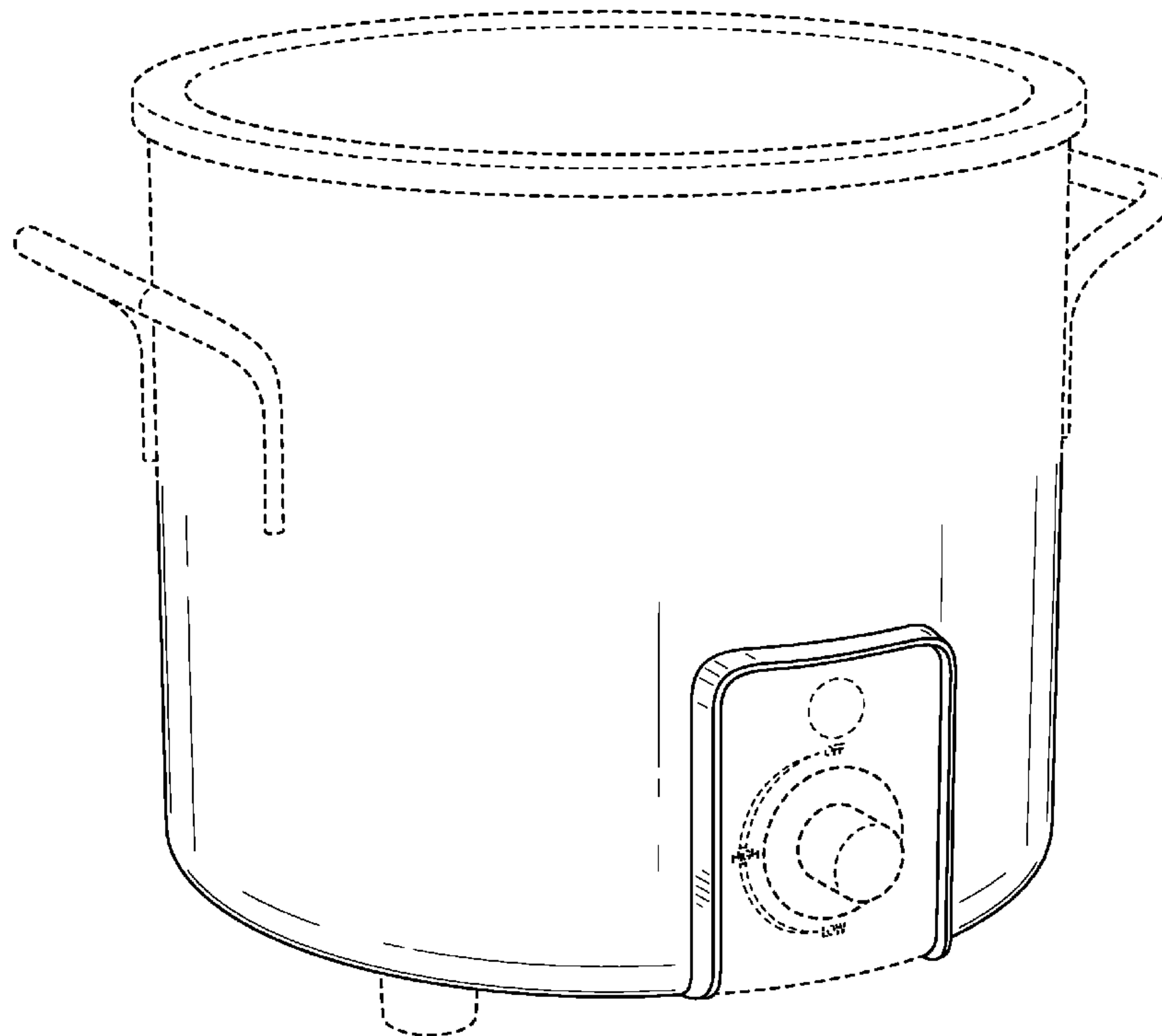
FIG. 5 is a right side view of the claimed design;

FIG. 6 is a bottom view of the claimed design; and,

FIG. 7 is a top view of the claimed design.

The broken lines in the drawings are for illustrative purposes
only and form no part of the claimed design.

1 Claim, 7 Drawing Sheets



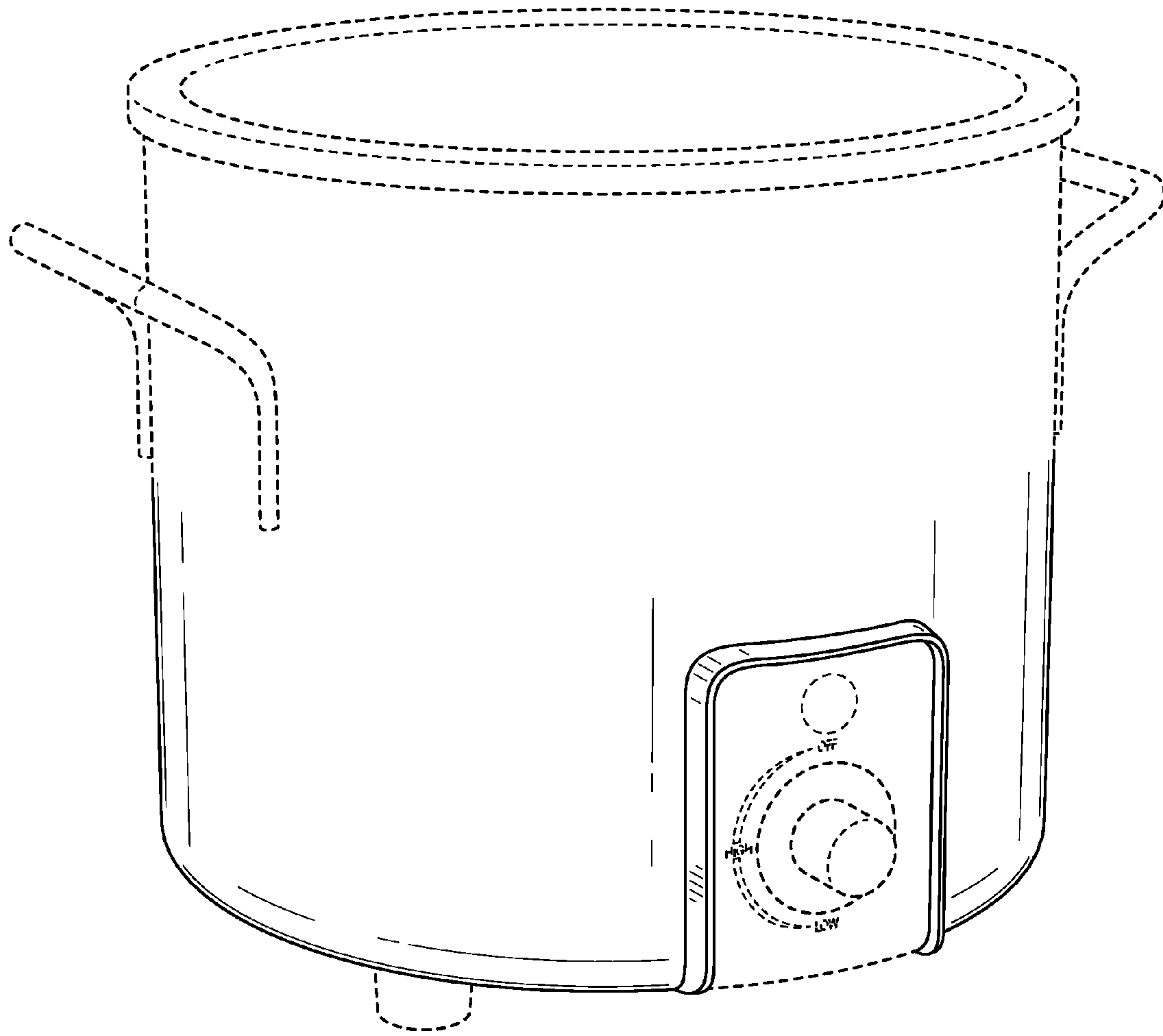


FIG. 1

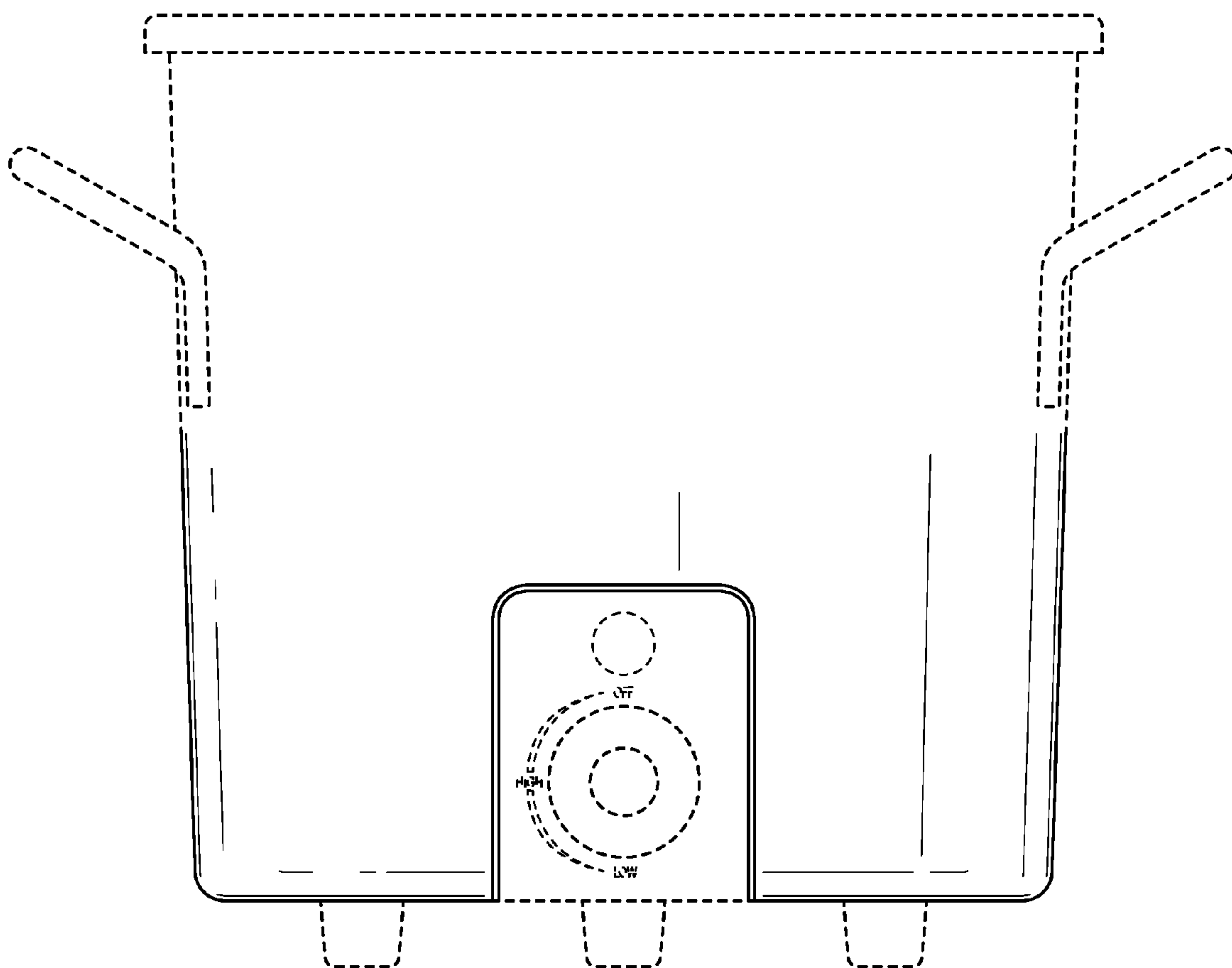


FIG. 2

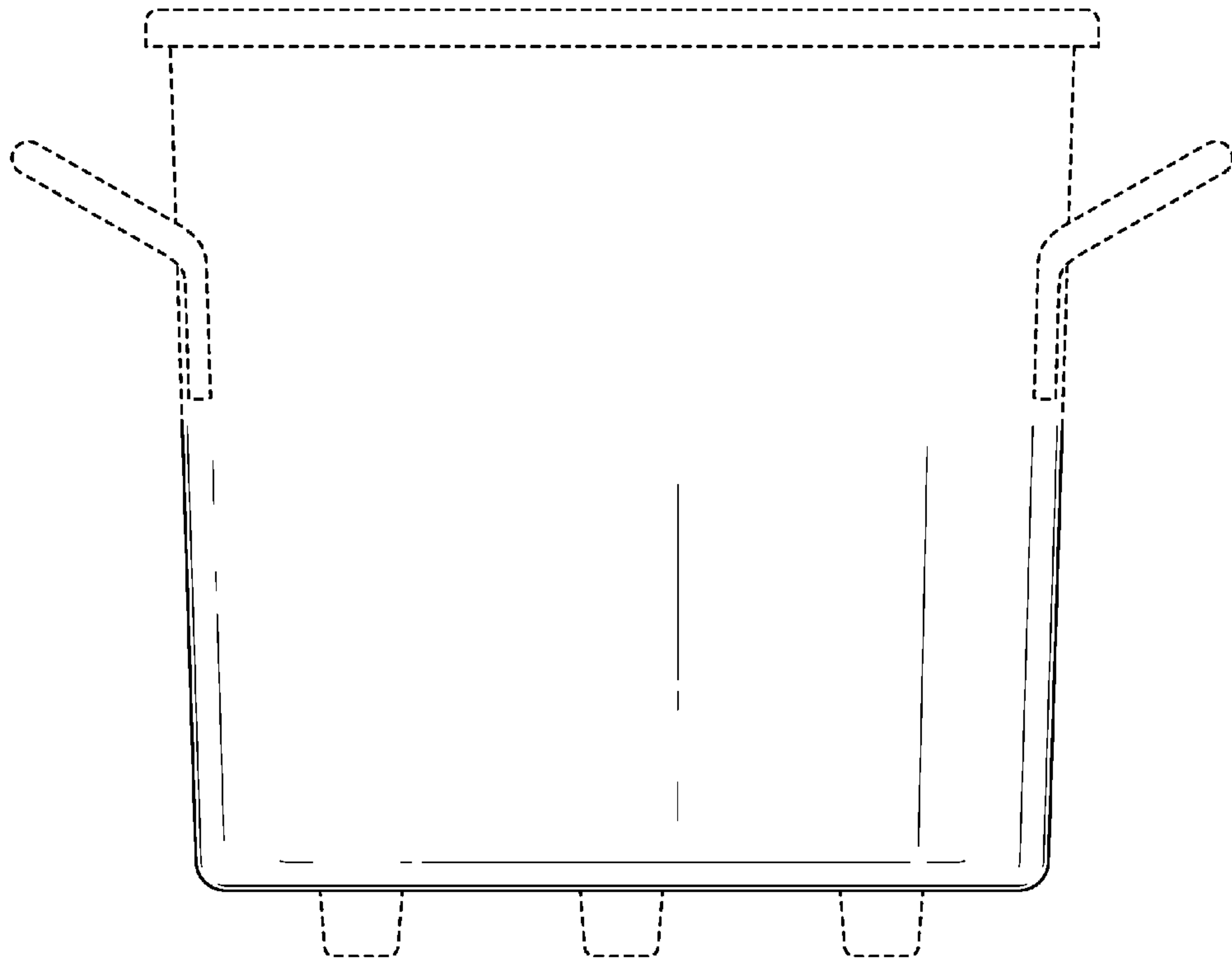


FIG. 3

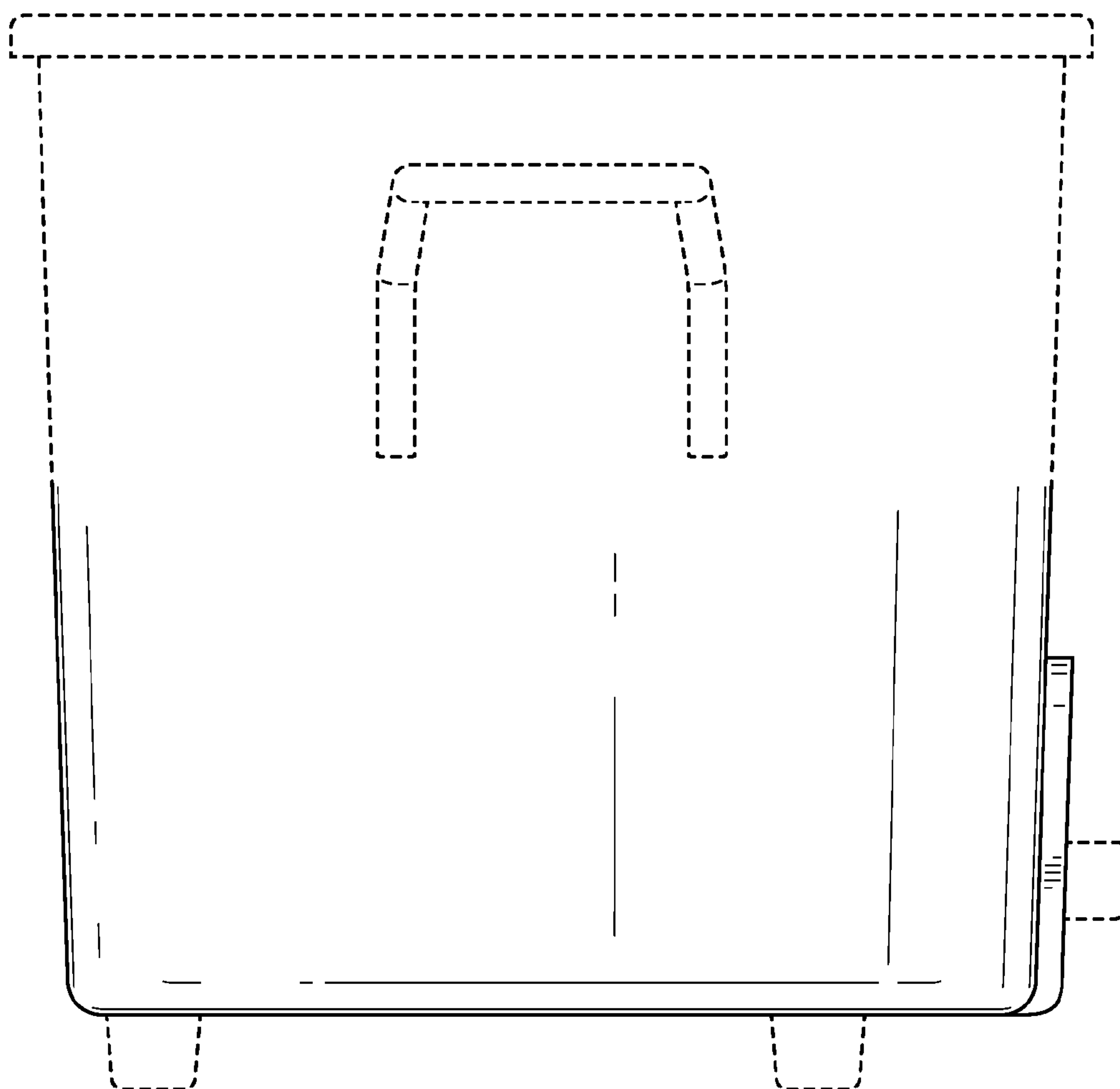


FIG. 4

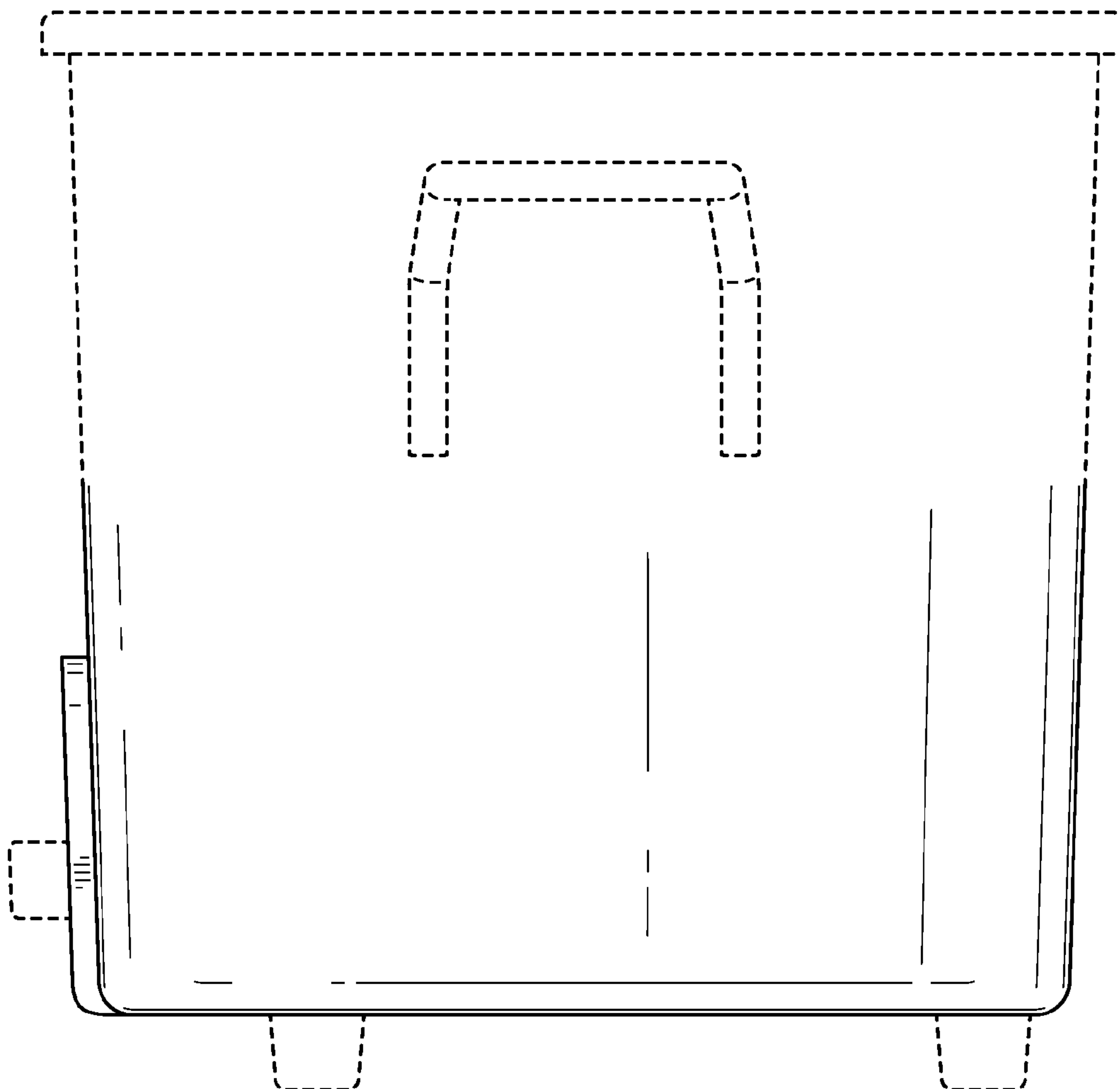


FIG. 5

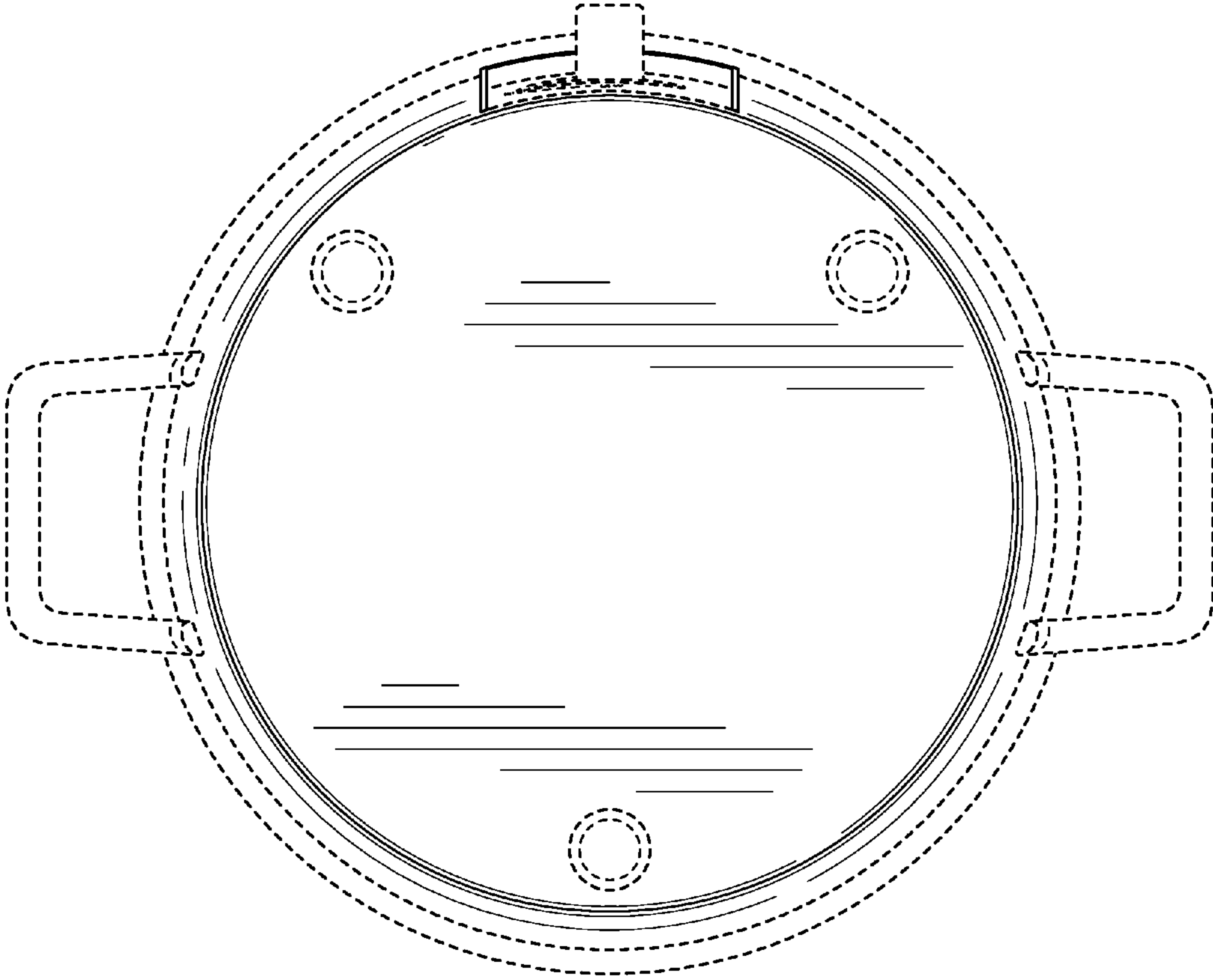


FIG. 6

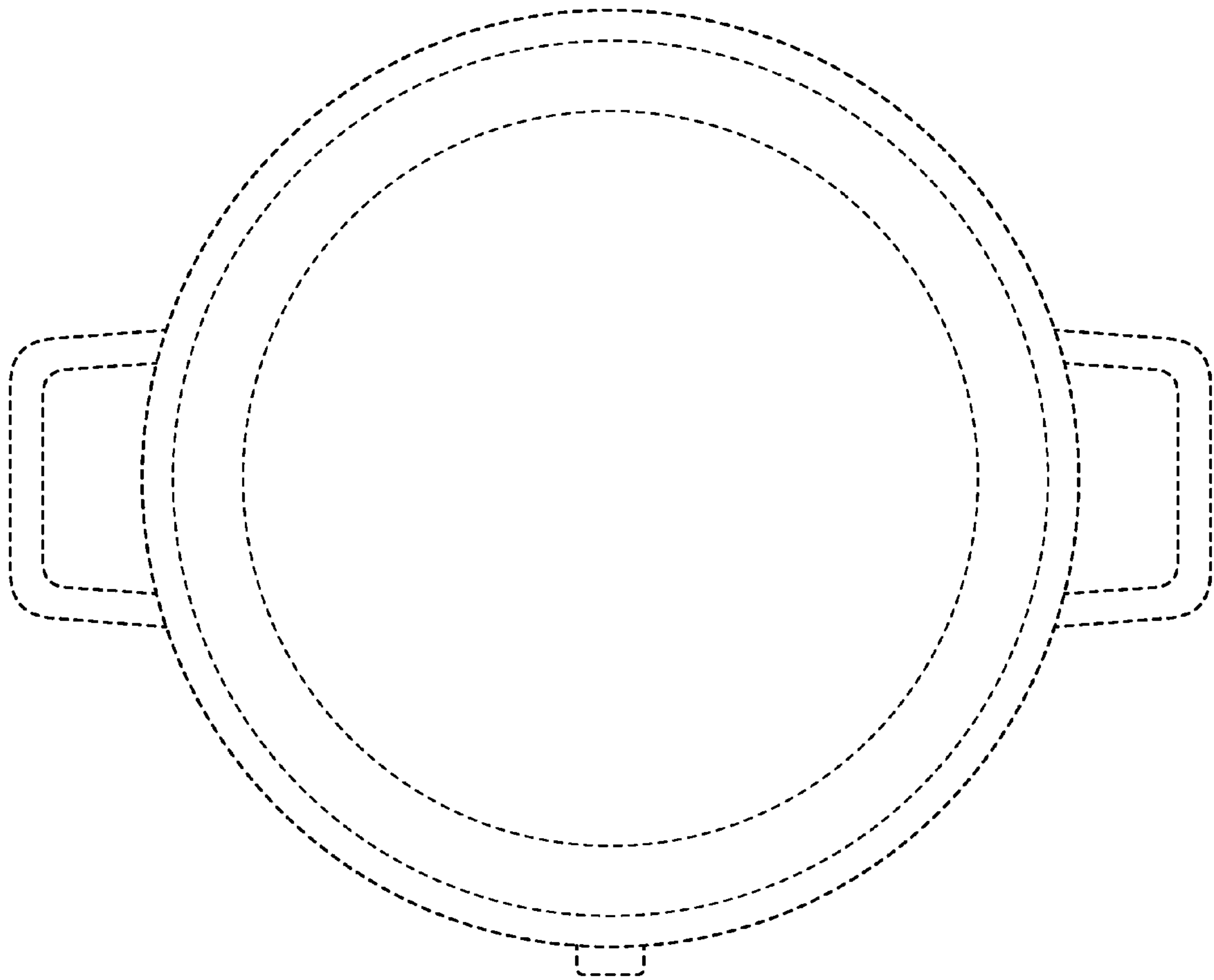


FIG. 7