



US00D659461S

(12) **United States Design Patent**
Borovicka et al.

(10) **Patent No.:** **US D659,461 S**
(45) **Date of Patent:** **** May 15, 2012**

(54) **GARLIC ROASTER**
(75) Inventors: **Cory Thomas Borovicka**, Oakland, CA (US); **Jane Rabanal**, Oakland, CA (US)

(73) Assignee: **Charcoal Companion Incorporated**, Emeryville, CA (US)

(**) Term: **14 Years**

(21) Appl. No.: **29/400,418**

(22) Filed: **Aug. 26, 2011**

(51) **LOC (9) Cl.** **07-02**

(52) **U.S. Cl.** **D7/354**

(58) **Field of Classification Search** D7/323, D7/329-332, 339, 346-347, 350.1-350.4, D7/353-367, 391, 393, 395, 402, 406, 538, D7/502, 539, 613, 615, 628, 669; D9/644; D23/207; 99/324-325, 331-332, 337-348, 99/369, 400-418, 422, 425, 444, 451, 483, 99/644; 219/400, 405, 429-442, 620-624, 219/725, 730-735; 220/203.05, 203.07, 220/203.09, 298, 315-316, 573.1-573.5, 220/632, 912; 426/438, 441, 510

See application file for complete search history.

(56) **References Cited**

U.S. PATENT DOCUMENTS

282,244	A	*	7/1883	Vernon	220/632
D165,574	S	*	1/1952	Forman	D7/502
D187,809	S	*	5/1960	Kristina	D7/360
D223,587	S	*	5/1972	Douglas	D7/360
D247,945	S	*	5/1978	Saunders	D7/539
D319,009	S	*	8/1991	Astrab, Jr.	D9/644
D320,910	S	*	10/1991	Saiki	D7/628
D409,052	S	*	5/1999	Terranova	D7/615
6,026,734	A		2/2000	Dadez		

D422,835	S	*	4/2000	Dadez	D7/354
D423,869	S		5/2000	Dadez		
D428,300	S	*	7/2000	Dadez	D7/354
6,525,299	B2	*	2/2003	Hannon et al.	219/436
D505,826	S		6/2005	Hannon et al.		
D535,352	S	*	1/2007	Verdon	D23/207
D538,114	S	*	3/2007	Kolano	D7/628
7,312,424	B2	*	12/2007	Hannon et al.	219/432
D592,463	S	*	5/2009	Ehrenhaus et al.	D7/613
D594,279	S	*	6/2009	Ablo	D7/628
D606,369	S	*	12/2009	Ruzycky	D7/669
D614,452	S	*	4/2010	Ablo	D7/628
D639,609	S	*	6/2011	Piacenza et al.	D7/539
D650,242	S	*	12/2011	Ehrenhaus et al.	D7/628
2002/0185486	A1	*	12/2002	Hannon et al.	219/436
2005/0220955	A1	*	10/2005	Hannon et al.	426/510

* cited by examiner

Primary Examiner — Ricky Pham

(74) *Attorney, Agent, or Firm* — Beeson Skinner Beverly, LLP

(57) **CLAIM**

The ornamental design for a garlic roaster, as shown and described.

DESCRIPTION

FIG. 1 is a top perspective view of a garlic roaster showing our new design;

FIG. 2 is a top plan view thereof;

FIG. 3 is a left side elevational view thereof;

FIG. 4 is a bottom plan view thereof;

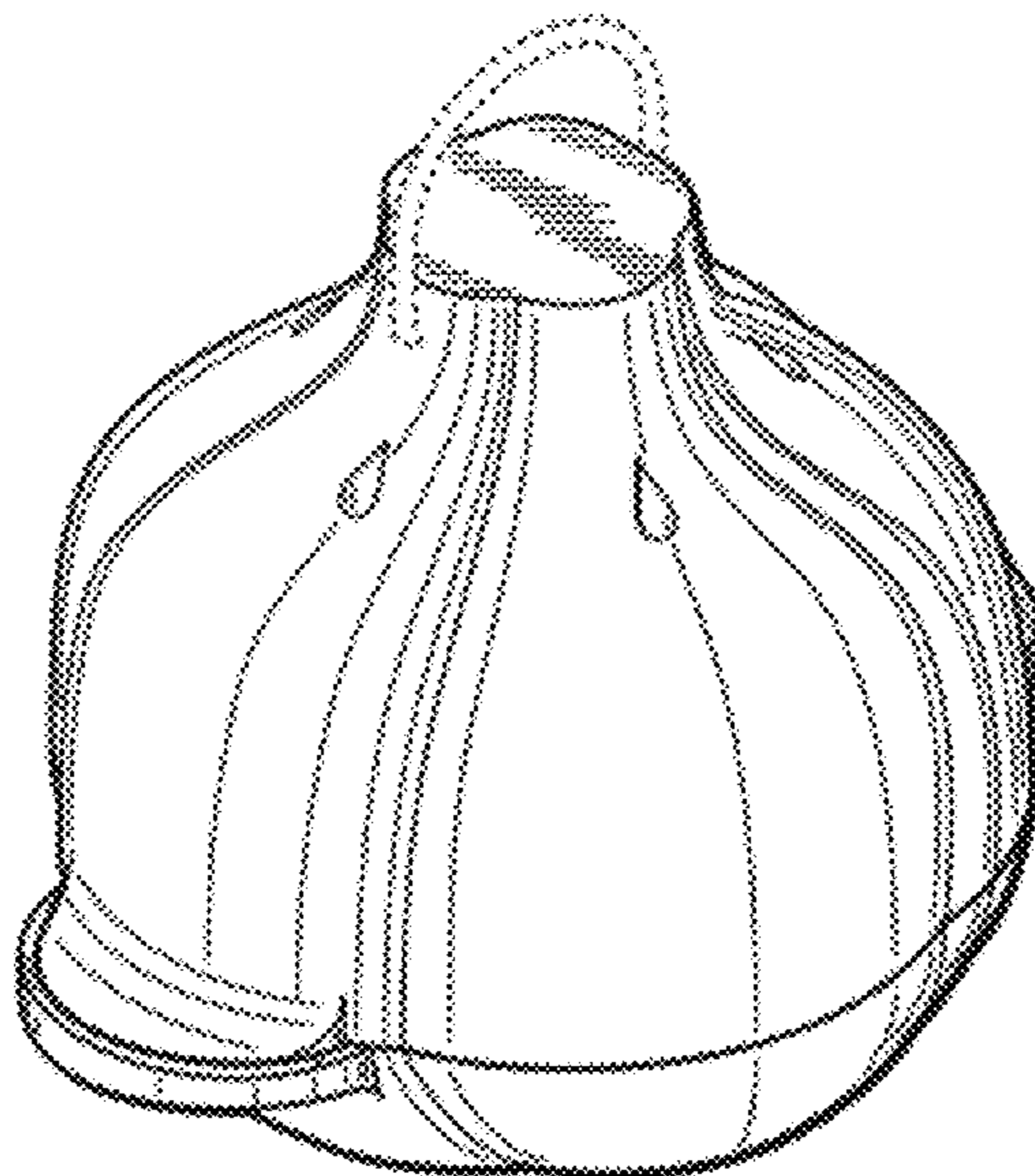
FIG. 5 is a right side elevational view thereof;

FIG. 6 is a front side elevational view thereof; and,

FIG. 7 is a back side elevational view thereof.

The broken lines showing of a handle for the top of the roaster are for illustrative purposes only; the broken lines form no part of the claimed design.

1 Claim, 3 Drawing Sheets



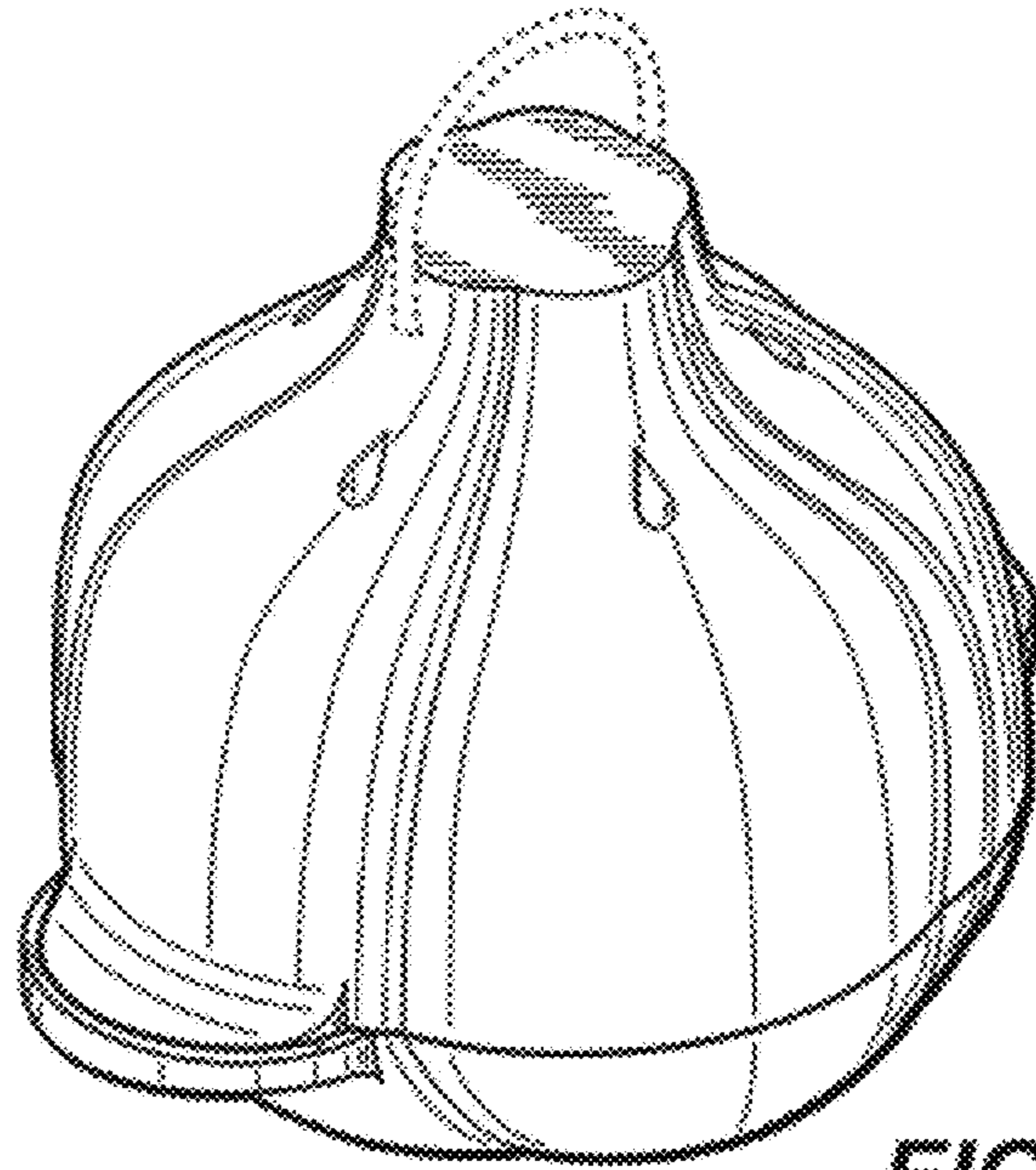


FIG. 1

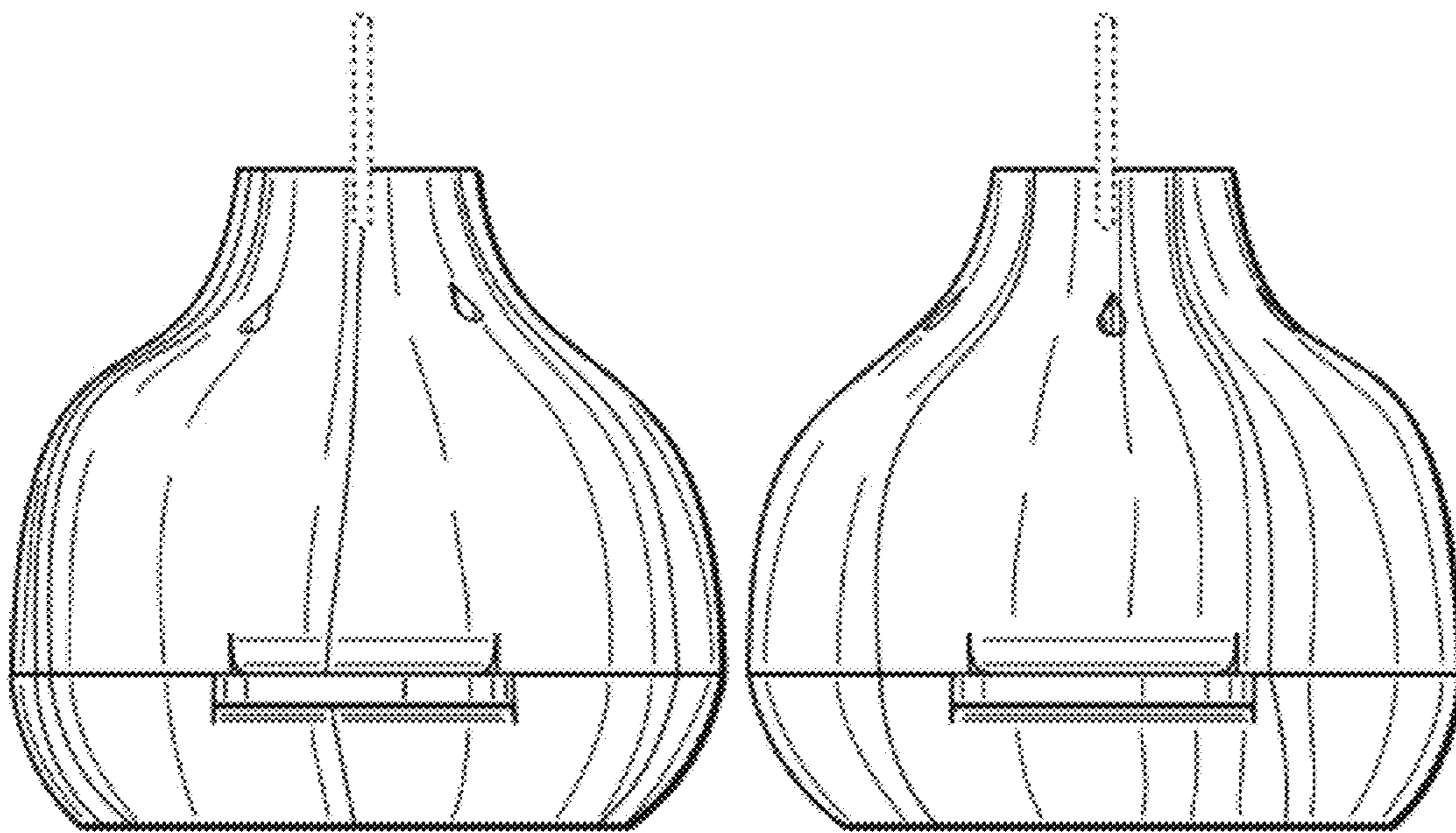


FIG. 3

FIG. 5

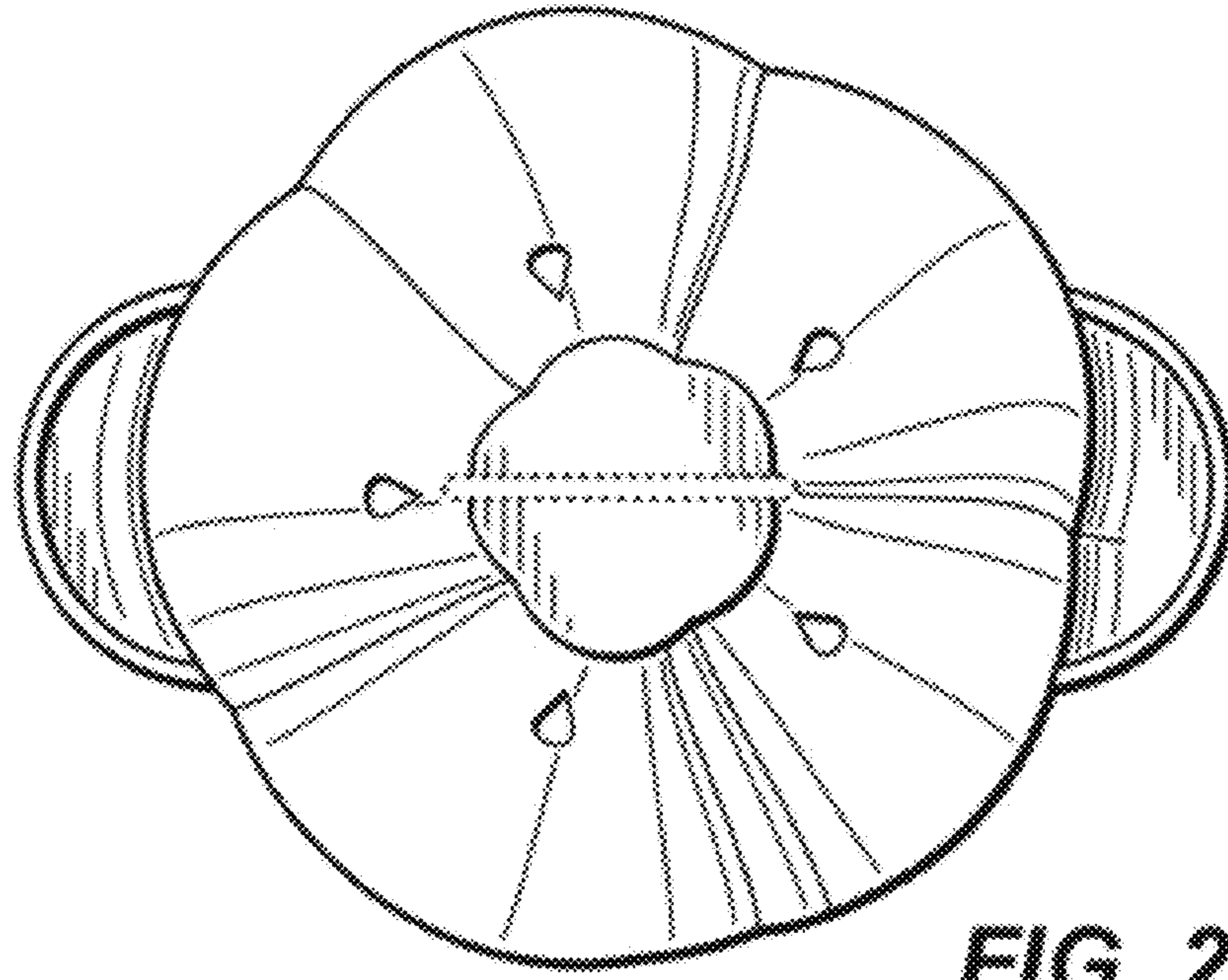


FIG. 2

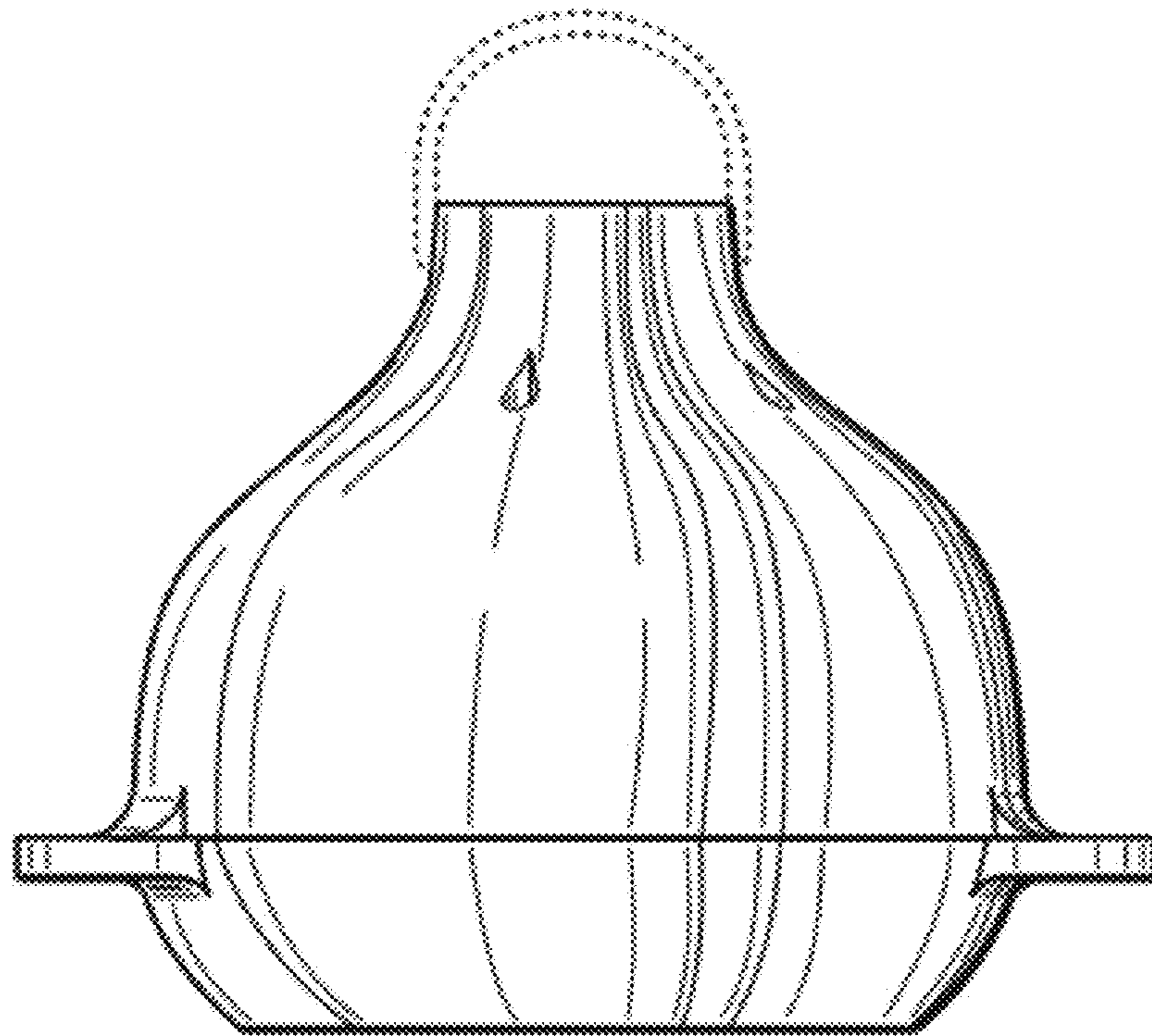


FIG. 6

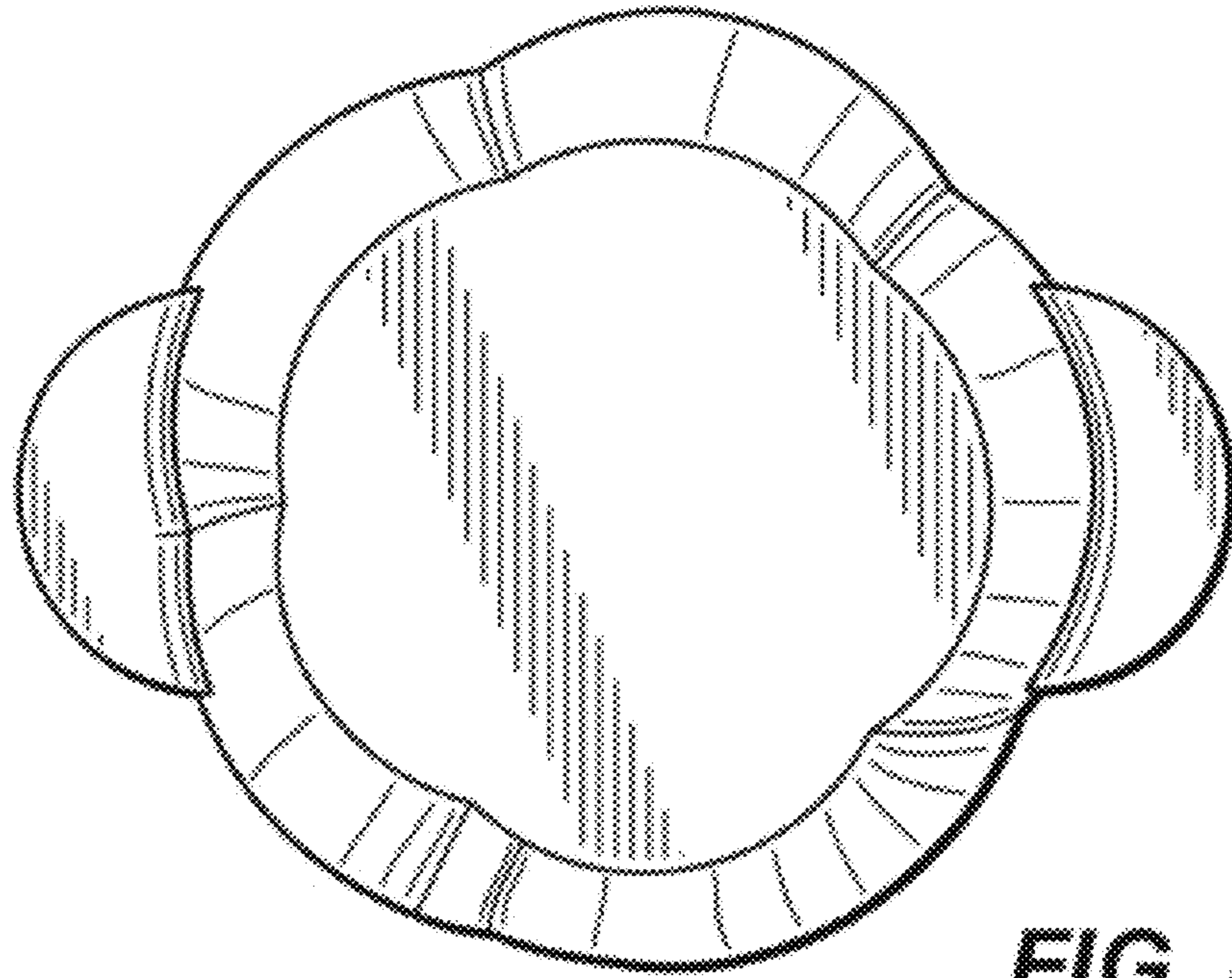


FIG. 4

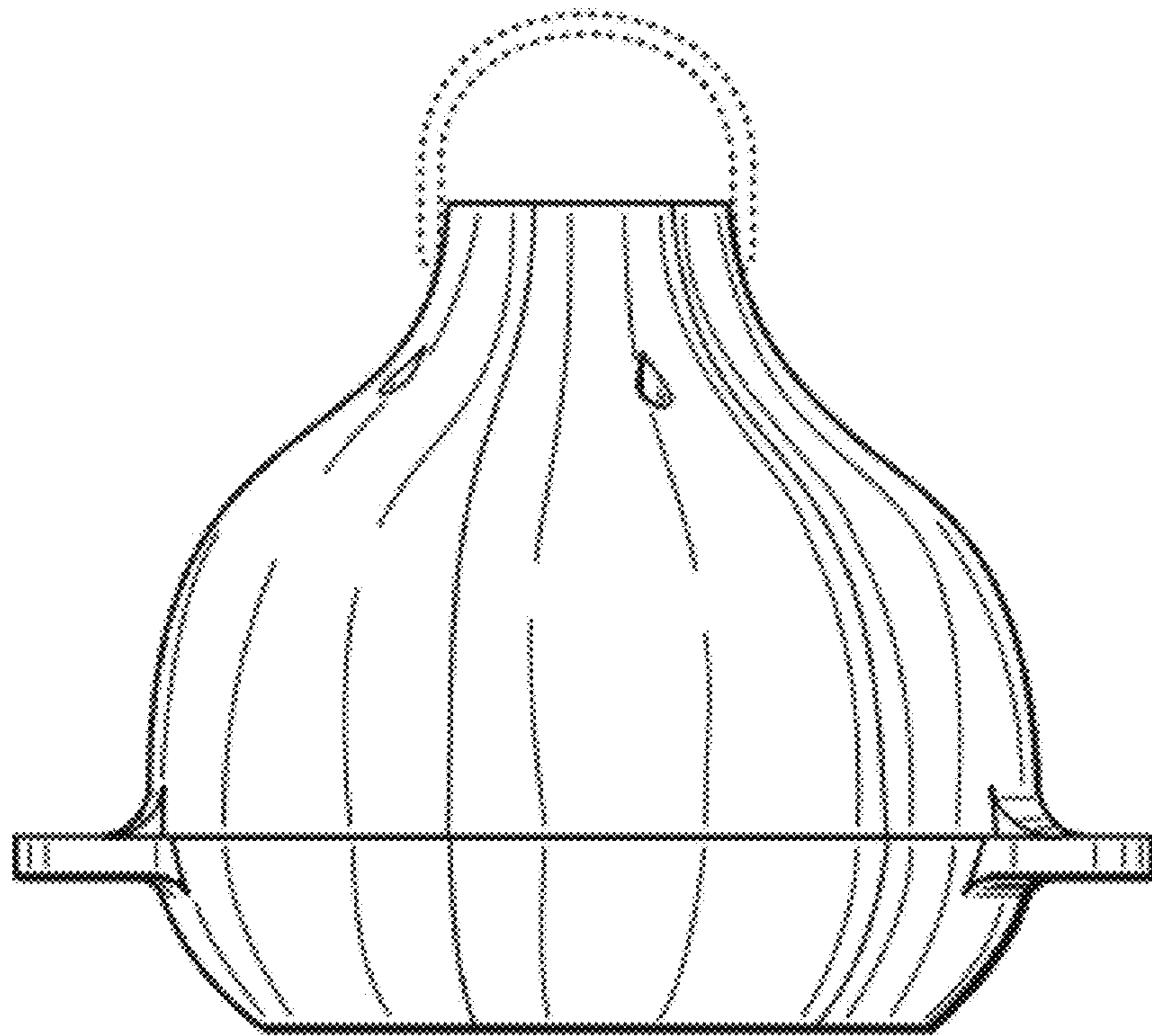


FIG. 7