



US00D659460S

(12) **United States Design Patent**  
**Boone**

(10) **Patent No.:** **US D659,460 S**

(45) **Date of Patent:** **\*\* May 15, 2012**

- (54) **COVER FOR AN AIR-CONDITIONER UNIT**
- (76) Inventor: **Terry Boone**, Winthrop Harbor, IL (US)
- (\*\*) Term: **14 Years**
- (21) Appl. No.: **29/372,885**
- (22) Filed: **Jan. 28, 2011**
- (51) **LOC (9) Cl.** ..... **06-13**
- (52) **U.S. Cl.** ..... **D6/610**
- (58) **Field of Classification Search** ..... D3/200,  
D3/201, 232, 272, 905; D6/595, 601, 610,  
D6/574, 553; D7/609, 601, 602; D8/346,  
D8/349, 353, 354, 373, 381; D9/600, 414,  
D9/424, 433; D13/177, 100, 133, 184; D19/34.1,  
D19/65, 75, 86, 90, 96; D21/386, 484, 729;  
D23/351-354, 370, 386-391, 358, 363; D25/113,  
D25/119; D26/72-85, 118; D99/29, 33,  
D99/34; 160/238, 368.1; 174/66, 67; 52/202,  
52/208, 511, 395, 631; 62/262, 265, 259.1;  
454/201, 331; 150/165, 154; 312/236, 100;  
232/27, 33; D14/130, 329  
See application file for complete search history.

(56) **References Cited**

**U.S. PATENT DOCUMENTS**

725,080	A	*	4/1903	Henry	.....	232/33
1,172,513	A	*	2/1916	Brumbaugh	.....	232/23
D146,100	S	*	12/1946	Essick	.....	D23/354
3,006,498	A	*	10/1961	Thiede et al.	.....	312/100
D296,584	S	*	7/1988	Hilton	.....	D23/370

D321,075	S	*	10/1991	Scott	.....	D99/33
D333,010	S	*	2/1993	Lowe, Sr.	.....	D26/72
D339,394	S	*	9/1993	Richards	.....	D21/729
D350,743	S	*	9/1994	Hicks et al.	.....	D14/130
D360,067	S	*	7/1995	McColgin et al.	.....	D23/354
D394,901	S	*	6/1998	Governale et al.	.....	D23/354
D402,748	S	*	12/1998	Cuomo	.....	D23/389
D460,165	S	*	7/2002	Hanson et al.	.....	D23/325
D505,060	S	*	5/2005	Nortier et al.	.....	D8/353
7,179,996	B1	*	2/2007	Britt et al.	.....	174/66
D560,978	S	*	2/2008	Daams	.....	D7/609
D579,882	S	*	11/2008	Corbin	.....	D13/177
D626,518	S	*	11/2010	Teixeira Pinto Dias	.....	D13/177
D642,848	S	*	8/2011	Van Note	.....	D6/610

\* cited by examiner

*Primary Examiner* — Brian N Vinson

(74) *Attorney, Agent, or Firm* — George Lawrence Boller

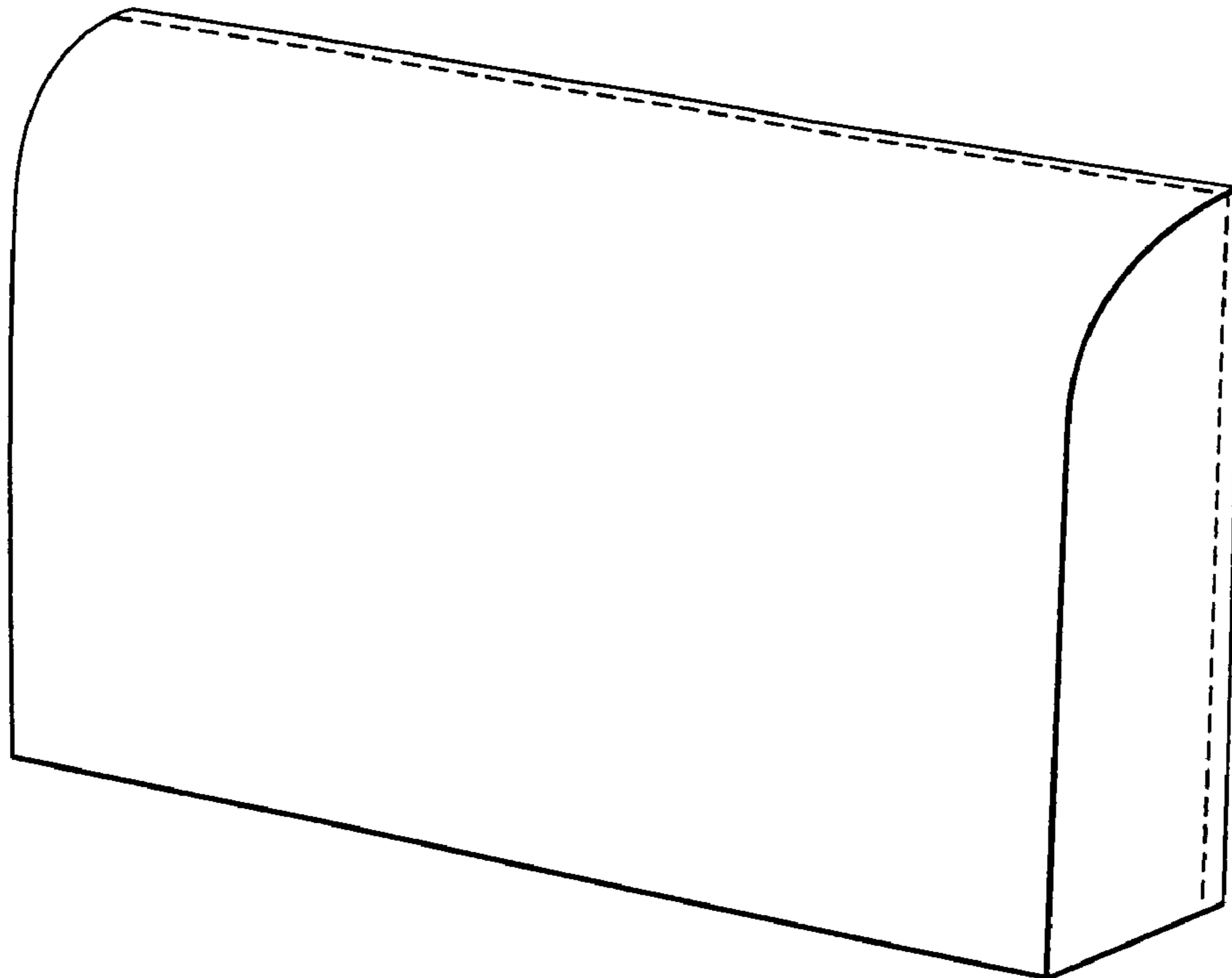
(57) **CLAIM**

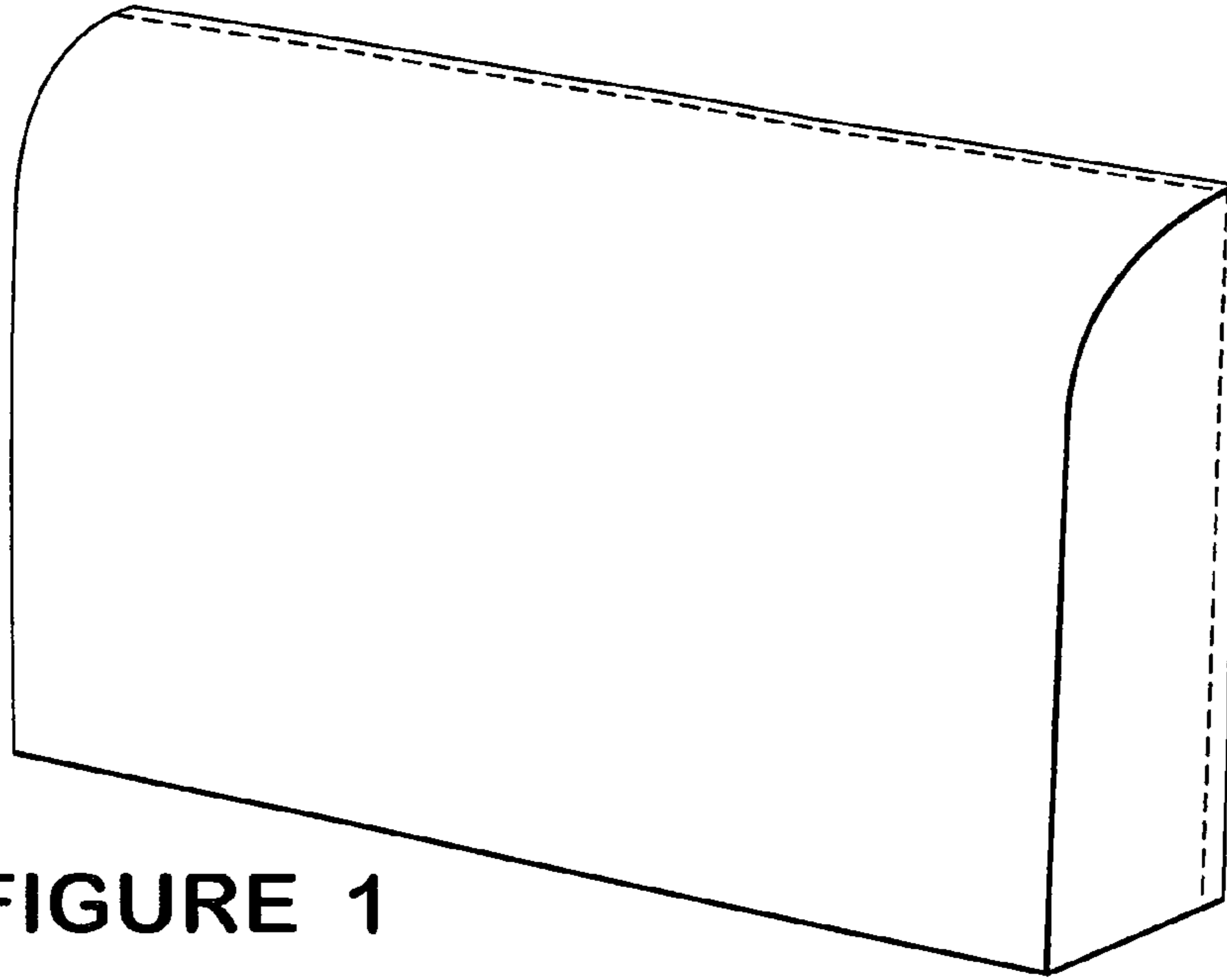
The ornamental design for a cover for an air-conditioner unit, as shown and described.

**DESCRIPTION**

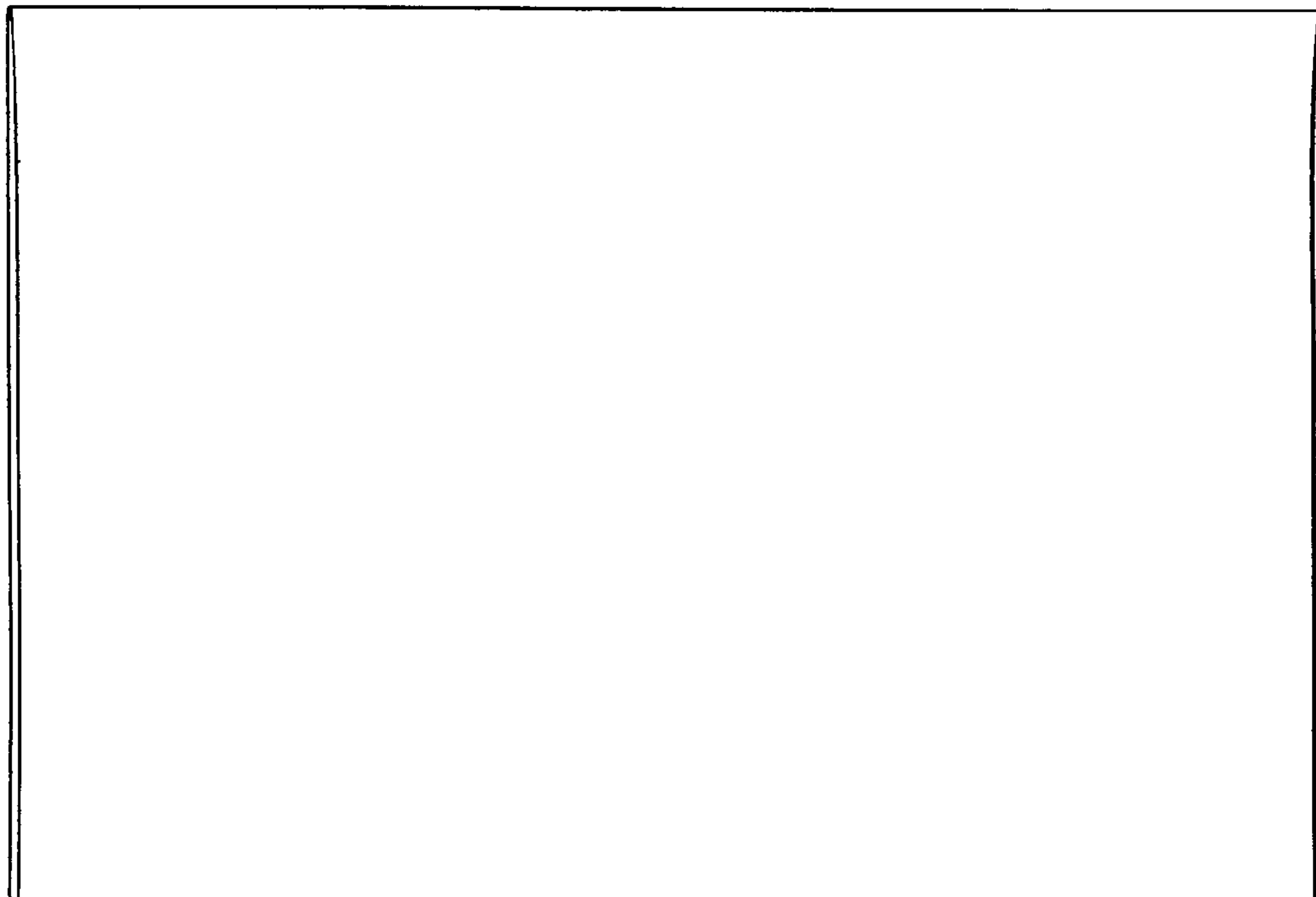
FIG. 1 is a top, front, and right side perspective view of a cover for an air-conditioner unit showing my new design, with the broken-lines representing stitching in the views;  
 FIG. 2 is a front elevation view thereof;  
 FIG. 3 is a right side elevation view thereof;  
 FIG. 4 is a bottom plan view thereof;  
 FIG. 5 is a rear elevational view thereof;  
 FIG. 6 is a left side elevational view thereof; and,  
 FIG. 7 is a top plan view thereof.

**1 Claim, 3 Drawing Sheets**





**FIGURE 1**



**FIGURE 2**

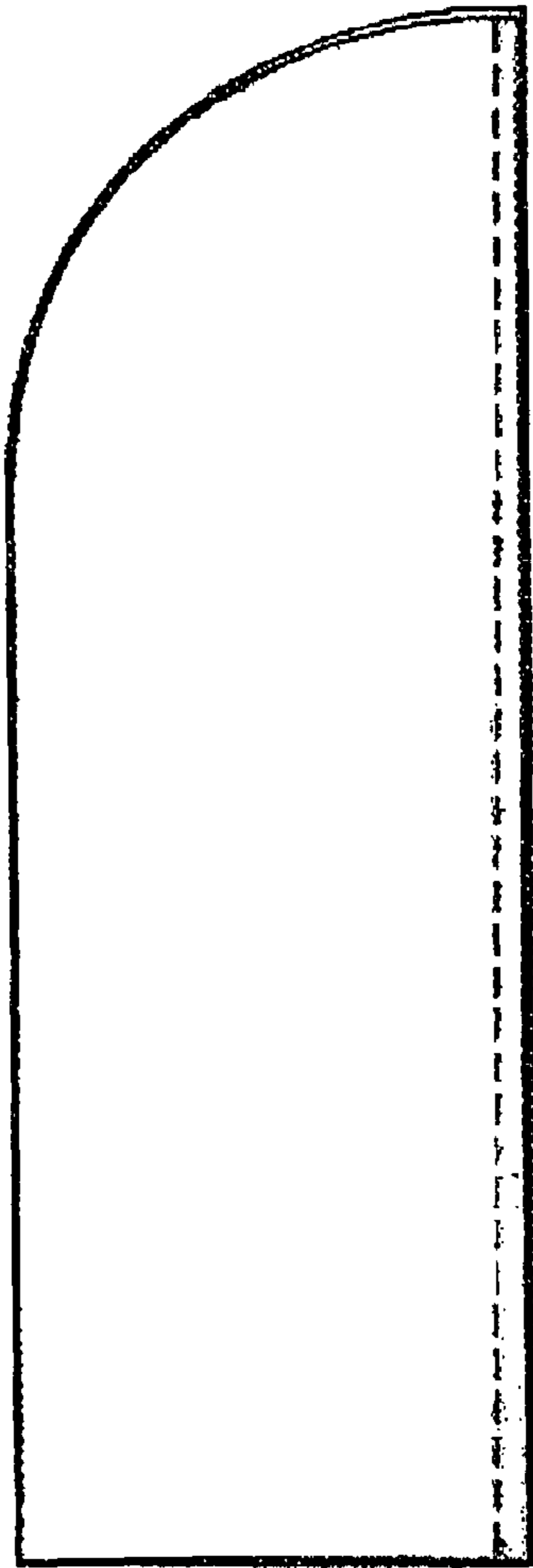


FIGURE 3

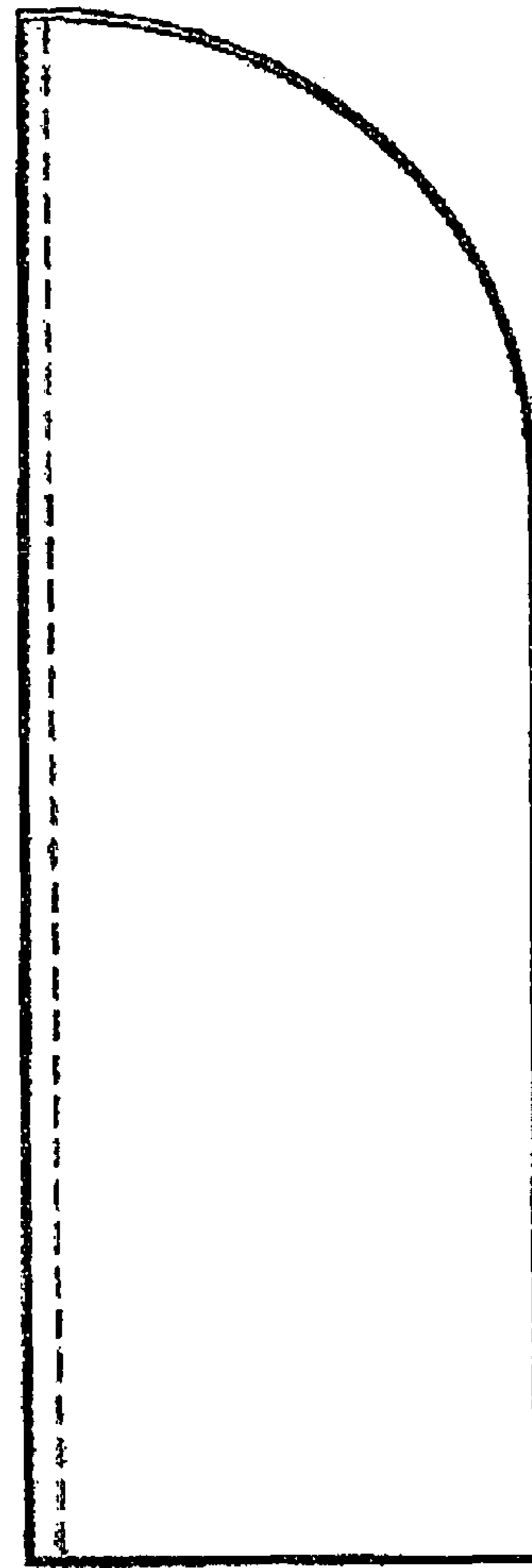


FIGURE 6

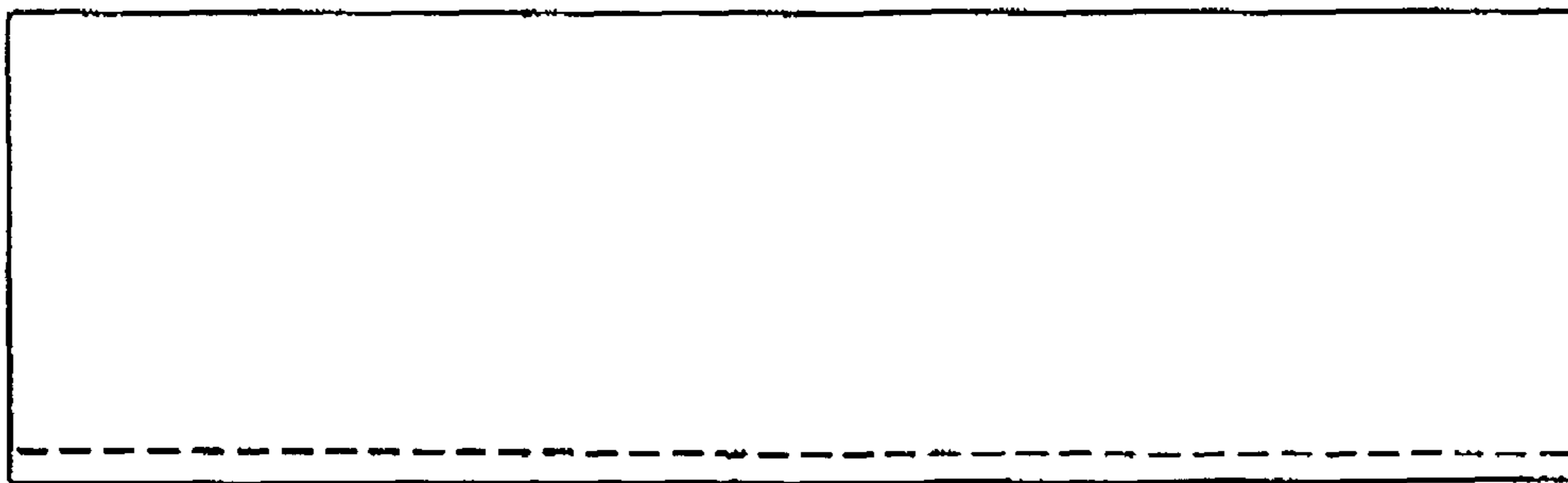
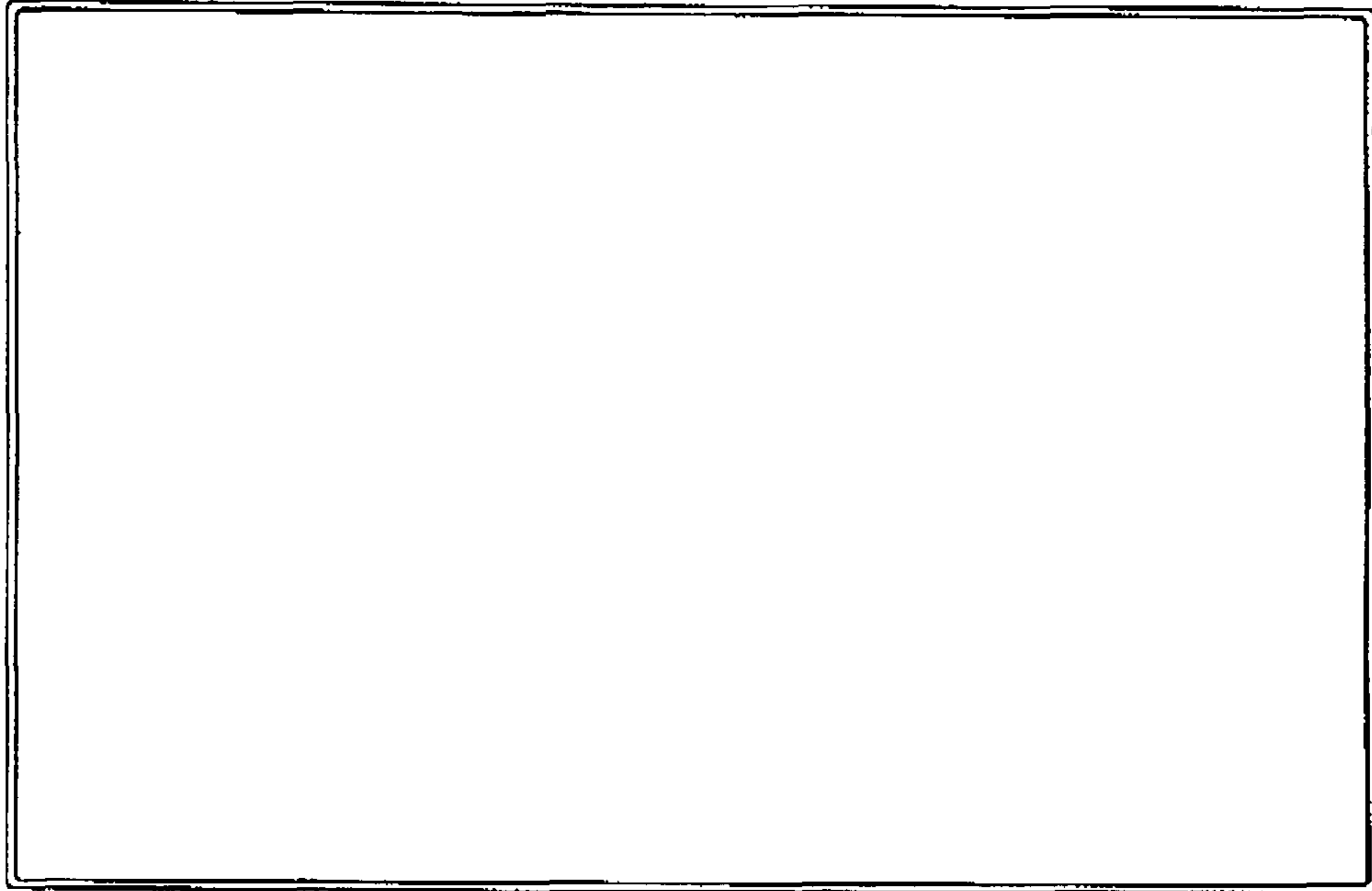
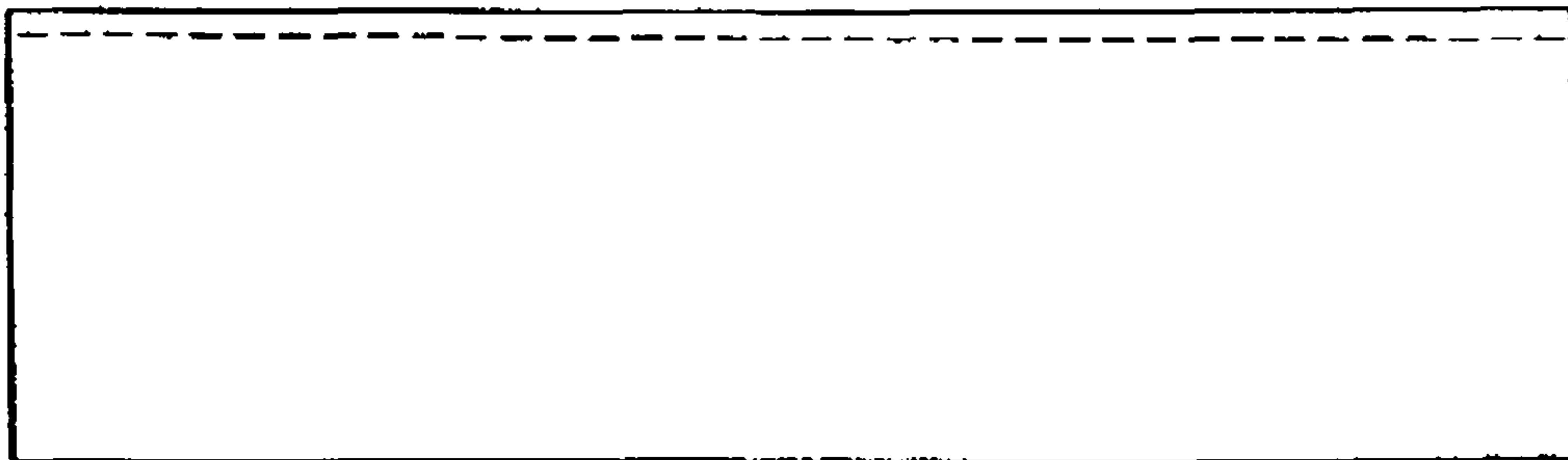


FIGURE 4



**FIGURE 5**



**FIGURE 7**