



US00D659458S

(12) **United States Design Patent**
Lerman

(10) **Patent No.:** **US D659,458 S**

(45) **Date of Patent:** **** May 15, 2012**

(54) **DRYING MAT**

(75) **Inventor:** **Howard Lerman**, Moreland Hills, OH (US)

(73) **Assignee:** **InterDesign, Inc.**, Solon, OH (US)

(**) **Term:** **14 Years**

(21) **Appl. No.:** **29/373,005**

(22) **Filed:** **Feb. 16, 2011**

(51) **LOC (9) Cl.** **06-11**

(52) **U.S. Cl.** **D6/585; D6/592**

(58) **Field of Classification Search** D5/1, 47, D5/58, 60; D6/582, 585, 592; D19/5; D24/126; 4/581; 5/490, 495; 15/208, 209.1, 215; 112/401, 112/402; 139/383 B, 383 R, 420 R; 162/108, 162/109, 134; 428/32, 39, 49, 66.5, 187, 428/542.2, 542.6

See application file for complete search history.

6,329,040	B1 *	12/2001	Oshima et al.	428/156
D453,880	S *	2/2002	Cheyne	D5/47
D475,856	S *	6/2003	Karul et al.	D5/53
6,579,816	B2	6/2003	Lockett	
6,684,445	B1 *	2/2004	Rios et al.	15/120.1
6,774,067	B2	8/2004	Demott et al.	
6,899,940	B2	5/2005	Leriget	
6,911,407	B2	6/2005	Sherrod et al.	
D508,147	S *	8/2005	Pop	D28/63
6,926,862	B2	8/2005	Fontenot et al.	
6,961,969	B2	11/2005	Nichols	
7,067,184	B1	6/2006	Carkeek	
7,135,157	B2	11/2006	Huhn	
7,208,216	B2	4/2007	Ackerman et al.	
7,485,071	B2	2/2009	Edwards	

(Continued)

Primary Examiner — Karen S Acker

(74) *Attorney, Agent, or Firm* — D. Peter Hochberg; Sean F. Mellino; Daniel J. Smola

(57) **CLAIM**

The ornamental design for a drying mat, as shown and described.

(56) **References Cited**

U.S. PATENT DOCUMENTS

D30,166	S *	2/1899	Andrews	D5/49
1,540,268	A *	6/1925	Lorenz	15/104.93
2,251,372	A	8/1941	Nicholson	
2,294,570	A *	9/1942	Ptacek	112/400
3,099,899	A *	8/1963	Horn	428/596
3,616,134	A	10/1971	Palenske	
4,144,603	A *	3/1979	Schaechter	5/490
4,328,275	A	5/1982	Vargo	
4,684,562	A	8/1987	Hartkemeyer	
4,847,133	A *	7/1989	Foxman	428/91
D312,741	S *	12/1990	Treadwell	D6/601
D323,757	S *	2/1992	Beauchan	D6/611
5,455,973	A *	10/1995	Brumfield et al.	5/424
5,500,267	A	3/1996	Canning	
5,725,927	A *	3/1998	Zilg et al.	428/89
5,733,629	A	3/1998	Insley	
5,962,305	A	10/1999	Mihara	

DESCRIPTION

FIG. 1 is a top plan view of the drying mat according to the invention;

FIG. 2 is a bottom plan view of the drying mat as shown in FIG. 1;

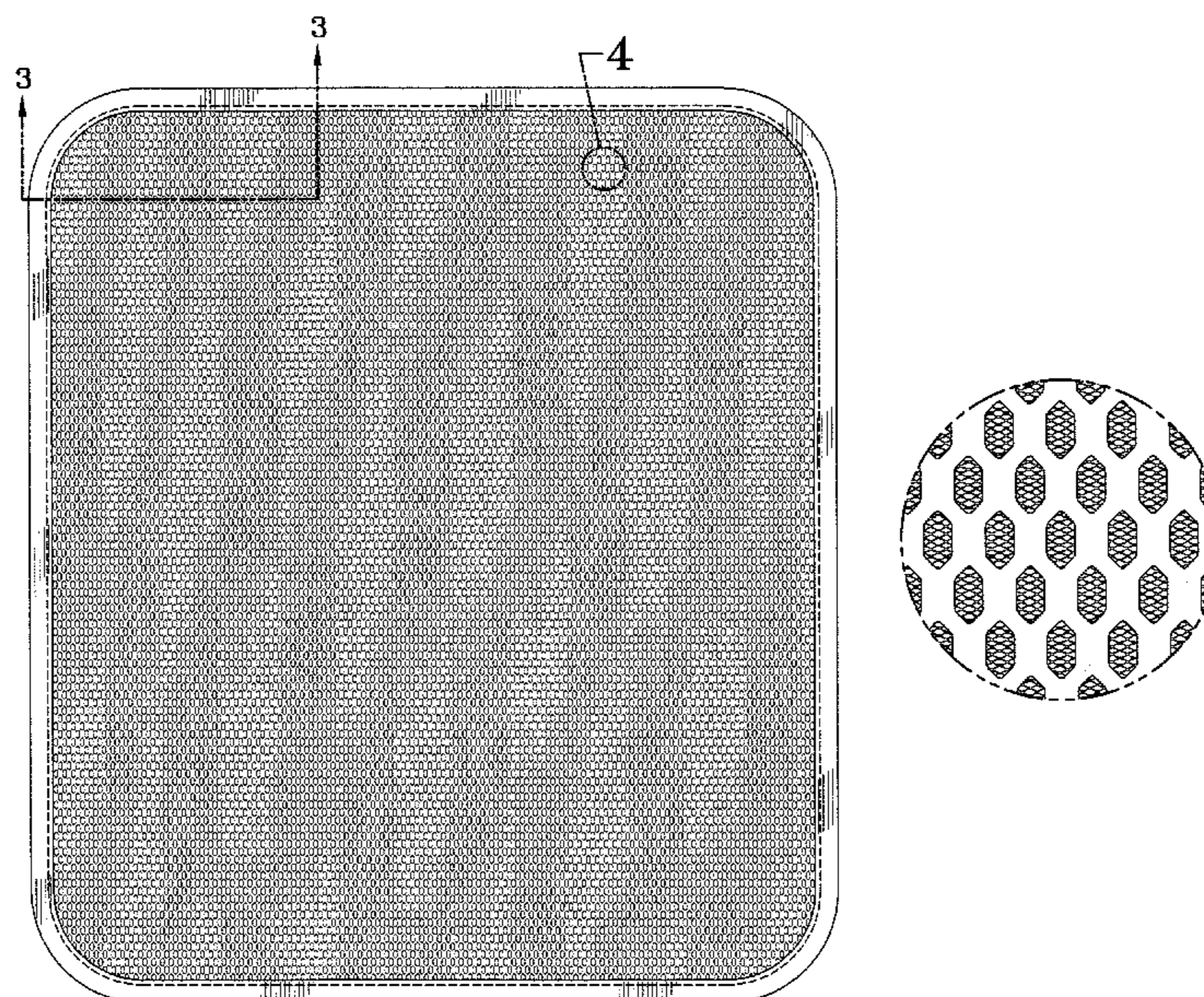
FIG. 3 is a cross-sectional view of the drying mat taken in the direction 3-3 shown in FIG. 1;

FIG. 4 is an enlarged top plan view of the drying mat shown in the circle marked "4" in FIG. 1; and,

FIG. 5 is an enlarged bottom plan view of the drying mat shown in the circle marked "5" in FIG. 2.

The broken line around the edging of the design represents claimed stitching. The intermittent broken lines in the drawing form no part of the claimed design.

1 Claim, 3 Drawing Sheets



US D659,458 S

Page 2

U.S. PATENT DOCUMENTS

D597,318	S	*	8/2009	Ewing	D5/49			
D602,725	S	*	10/2009	Lubart	D6/582			
D609,042	S	*	2/2010	Wilmsen	D6/583			
D609,922	S	*	2/2010	Bridges et al.	D5/53			
D628,005	S	*	11/2010	Chapman et al.	D6/616			
D642,844	S	*	8/2011	Cheris	D6/582			
D650,539	S	*	12/2011	Caprarola	D32/40			
2004/0229535	A1		11/2004	Tang					
2004/0250346	A1		12/2004	Vasishth					
2005/0192158	A1		9/2005	Edwards					
2006/0093788	A1		5/2006	Behm et al.					
2007/0256261	A1*		11/2007	Benitez et al.	15/118			
2009/0241978	A1*		10/2009	Moretti	132/200			
2010/0143640	A1		6/2010	Wilmsen					
2010/0143645	A1		6/2010	Wilmsen					

* cited by examiner

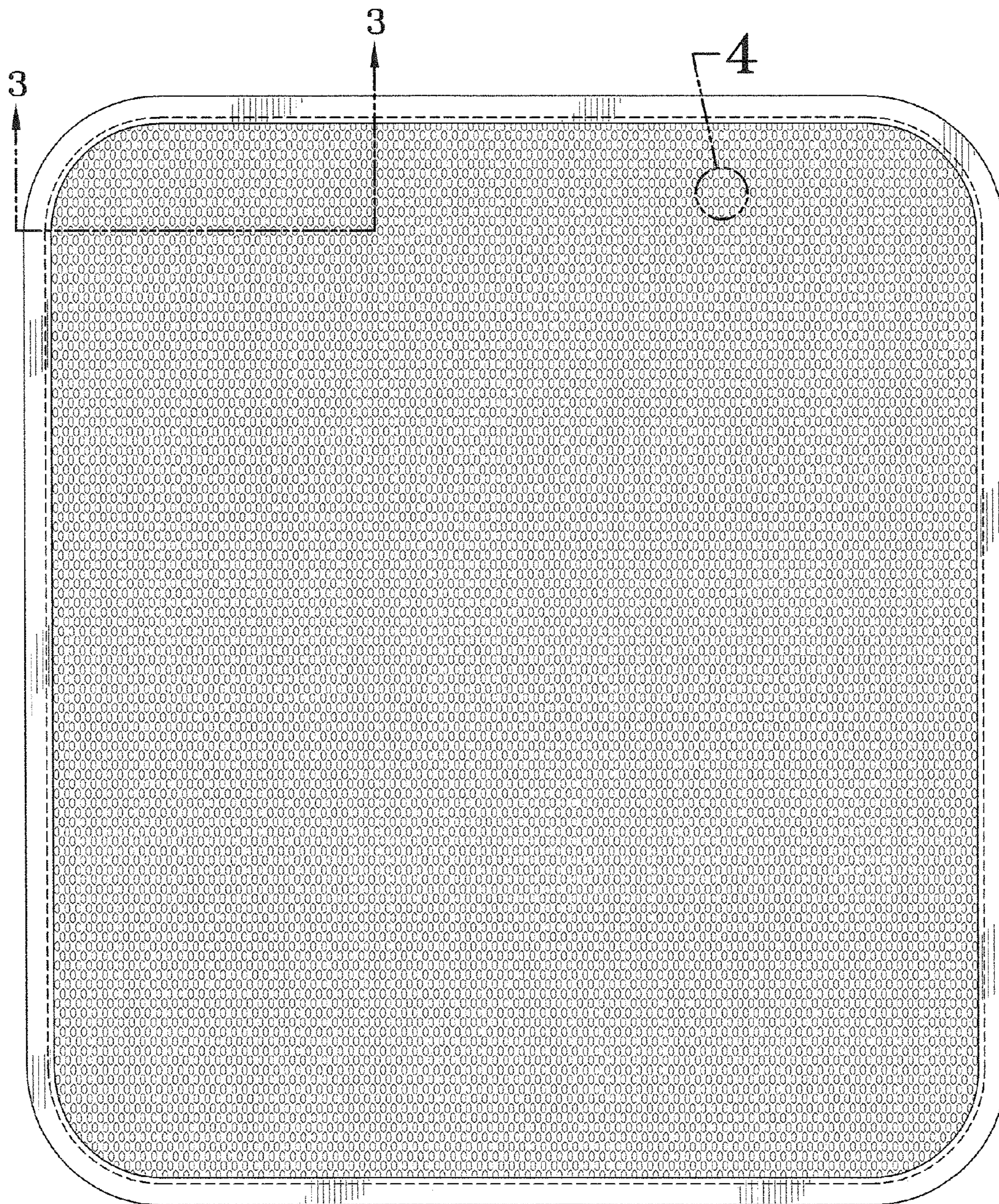


FIG-1

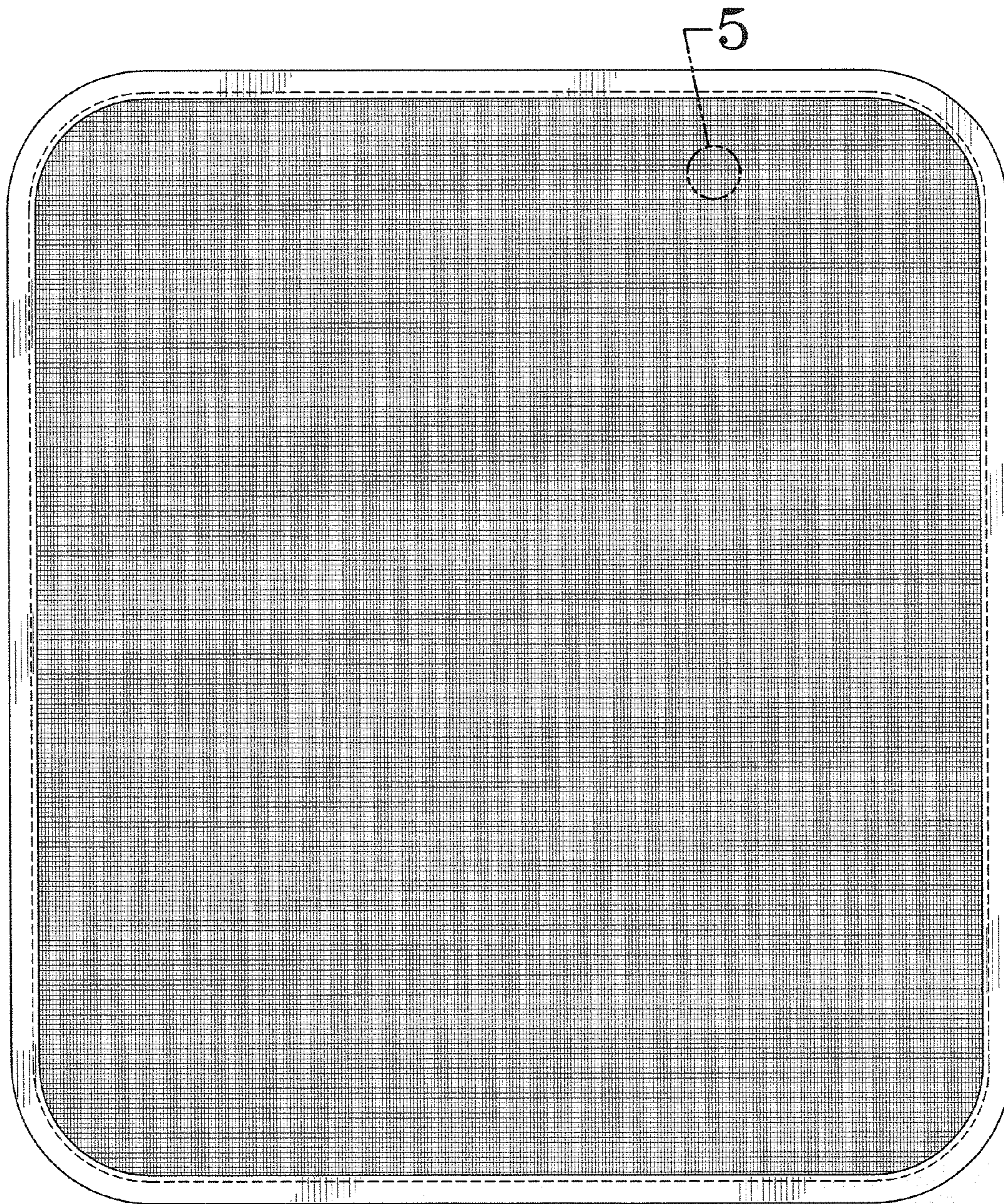


FIG-2

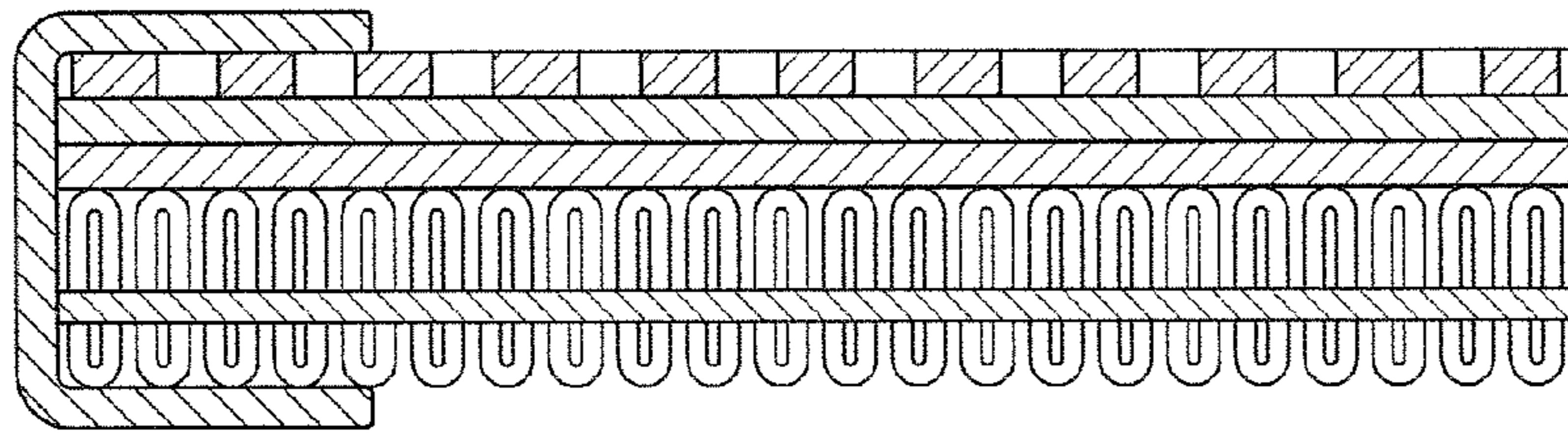


FIG-3

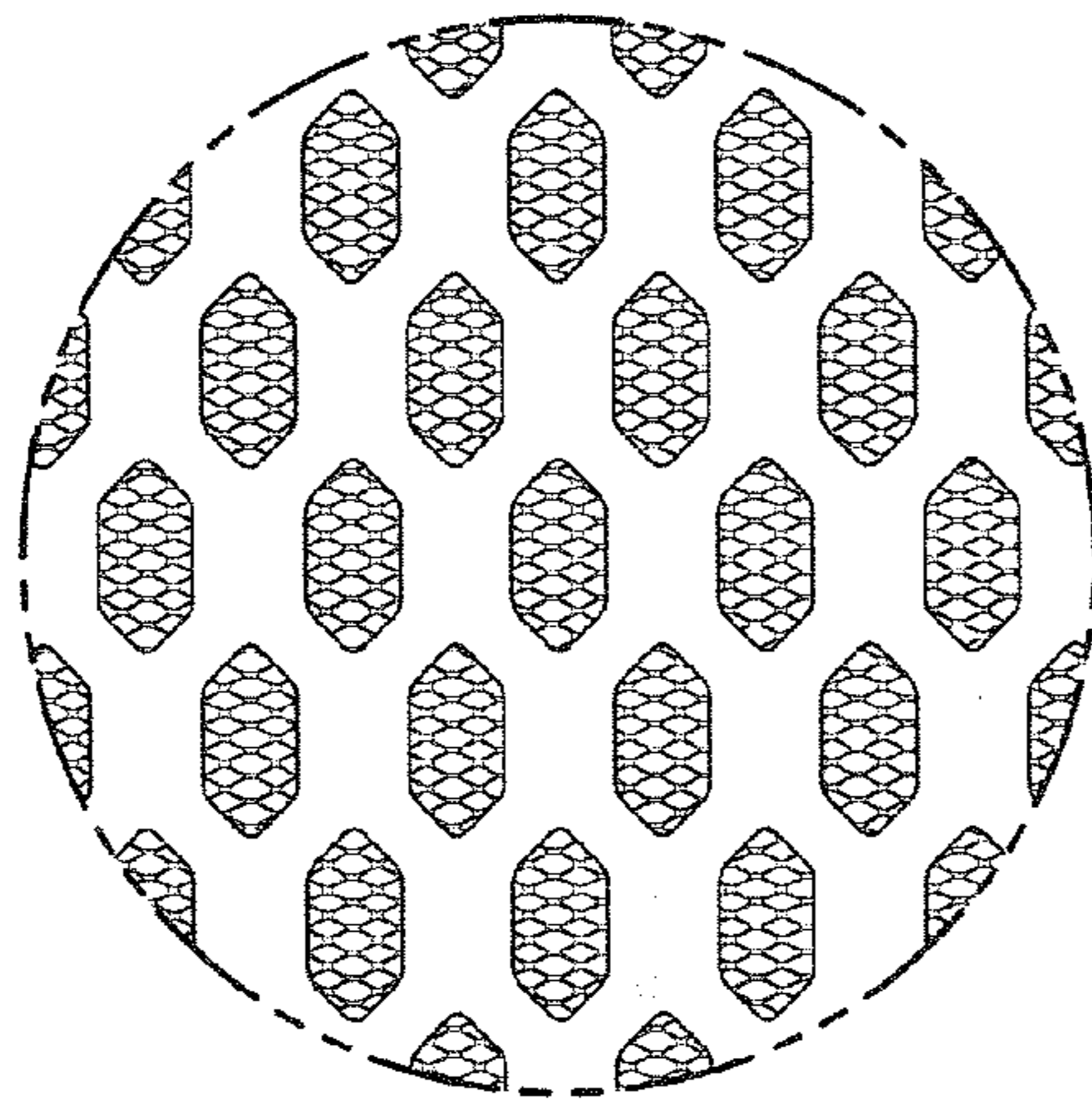


FIG-4

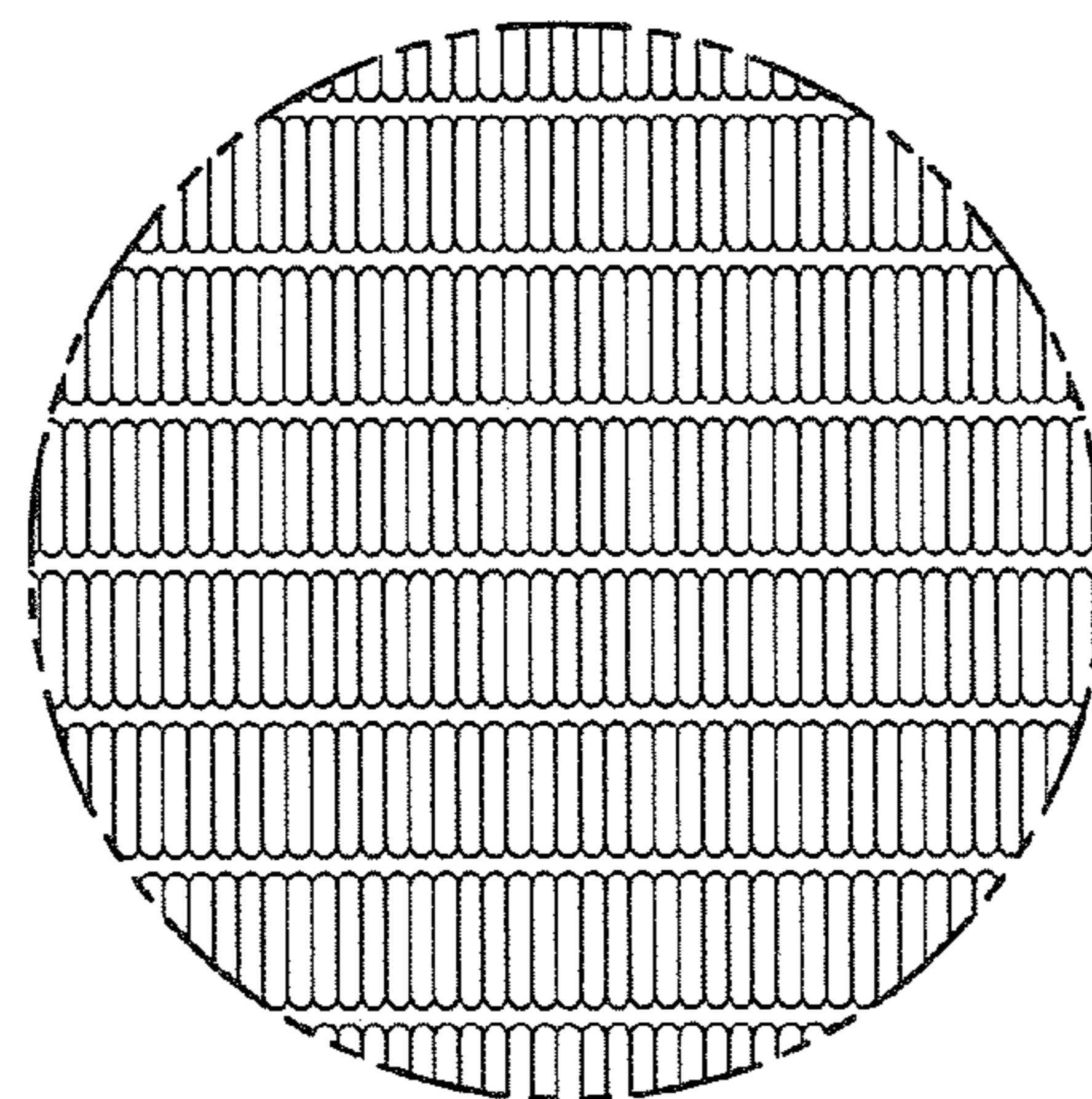


FIG-5