



US00D659457S

(12) **United States Design Patent**
Di Stefano

(10) **Patent No.:** **US D659,457 S**

(45) **Date of Patent:** **** May 15, 2012**

(54) **SCREEN TENSIONING MECHANISM**

(76) **Inventor:** **Carmelo Joseph Licciardi Di Stefano,**
Broadmeadows (AU)

(**) **Term:** **14 Years**

(21) **Appl. No.:** **29/386,922**

(22) **Filed:** **Mar. 7, 2011**

(30) **Foreign Application Priority Data**

Sep. 9, 2010 (AU) 13930/2010

(51) **LOC (9) Cl.** **06-10**

(52) **U.S. Cl.** **D6/580**

(58) **Field of Classification Search** D6/575,
D6/576, 577, 578, 579, 580, 581; 52/236.1,
52/236.2; 160/118, 168.1 R, 168.1 V, 173 R,
160/176.1 V, 178.3, 236, 349.1, 330, 371,
160/381; 16/1 R; D8/377; D25/122; 414/510;
606/74, 263, 327; D12/571; 194/253

See application file for complete search history.

(56) **References Cited**

U.S. PATENT DOCUMENTS

650,623 A * 5/1900 Di Stefano 194/253
D506,096 S * 6/2005 Allsopp D6/580
D518,326 S * 4/2006 Allsopp D6/580
D530,558 S * 10/2006 Damiano D6/580
D622,994 S * 9/2010 Chou D6/580

D631,275 S * 1/2011 Barnes D6/580
D639,098 S * 6/2011 Bosgoed D6/580
D647,462 S * 10/2011 Bestgen et al. D12/571
2007/0006977 A1 1/2007 Lampe
2008/0017327 A1 1/2008 Lamers et al.

FOREIGN PATENT DOCUMENTS

FR 2854195 10/2004
GB 999864 7/1965

* cited by examiner

Primary Examiner — Susan Bennett Hattan

Assistant Examiner — Barbara B Lohr

(74) *Attorney, Agent, or Firm* — Head, Johnson &
Kachigian, P.C.

(57) **CLAIM**

The design for a screen tensioning mechanism, as shown and described.

DESCRIPTION

FIG. 1 is a front perspective view of a screen tensioning mechanism;

FIG. 2 is a rear perspective view thereof;

FIG. 3 is a left side view thereof;

FIG. 4 is a right side view thereof;

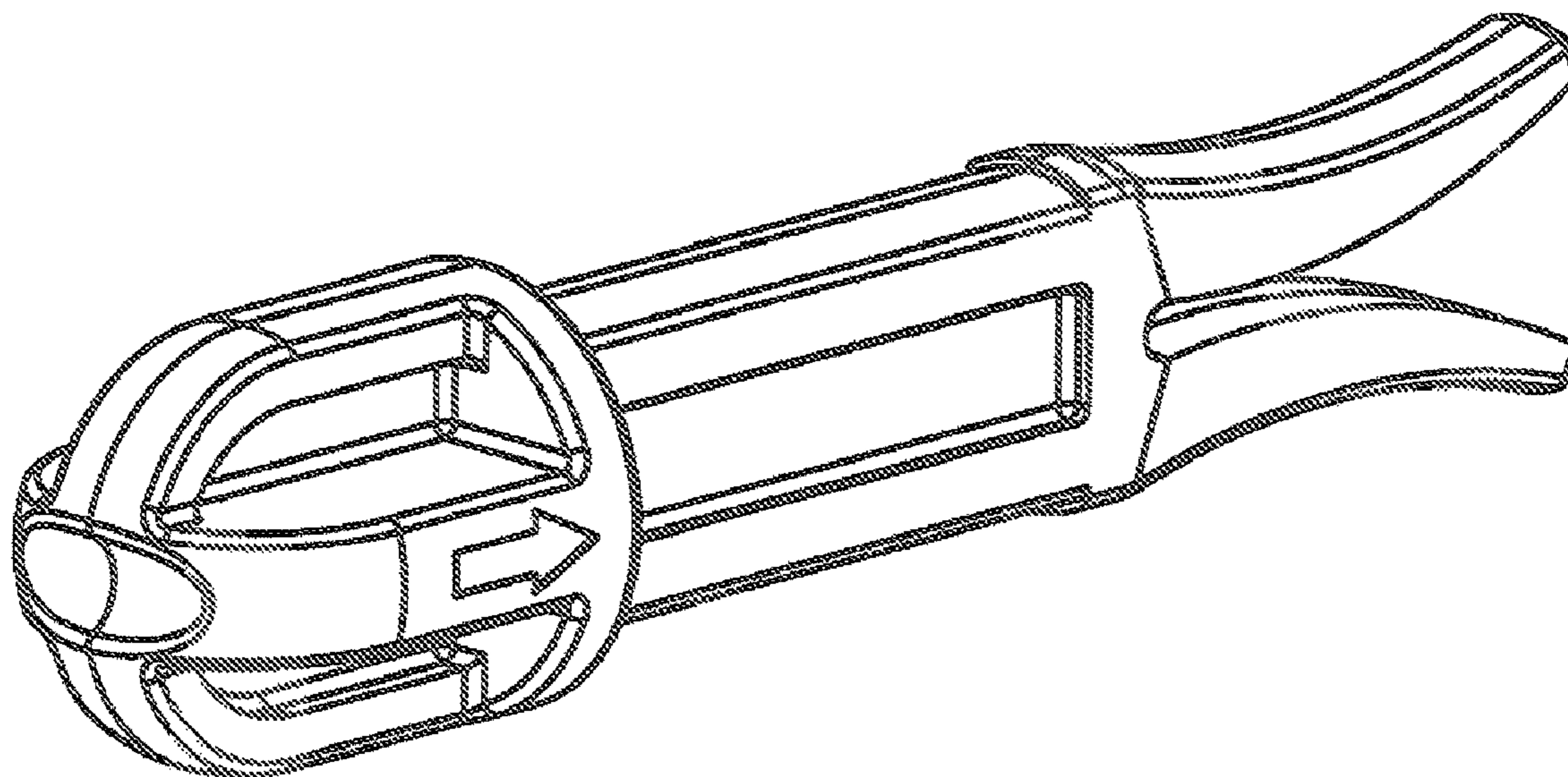
FIG. 5 is a top view thereof;

FIG. 6 is a bottom view thereof;

FIG. 7 is a front end view thereof; and,

FIG. 8 is a rear end view thereof.

1 Claim, 5 Drawing Sheets



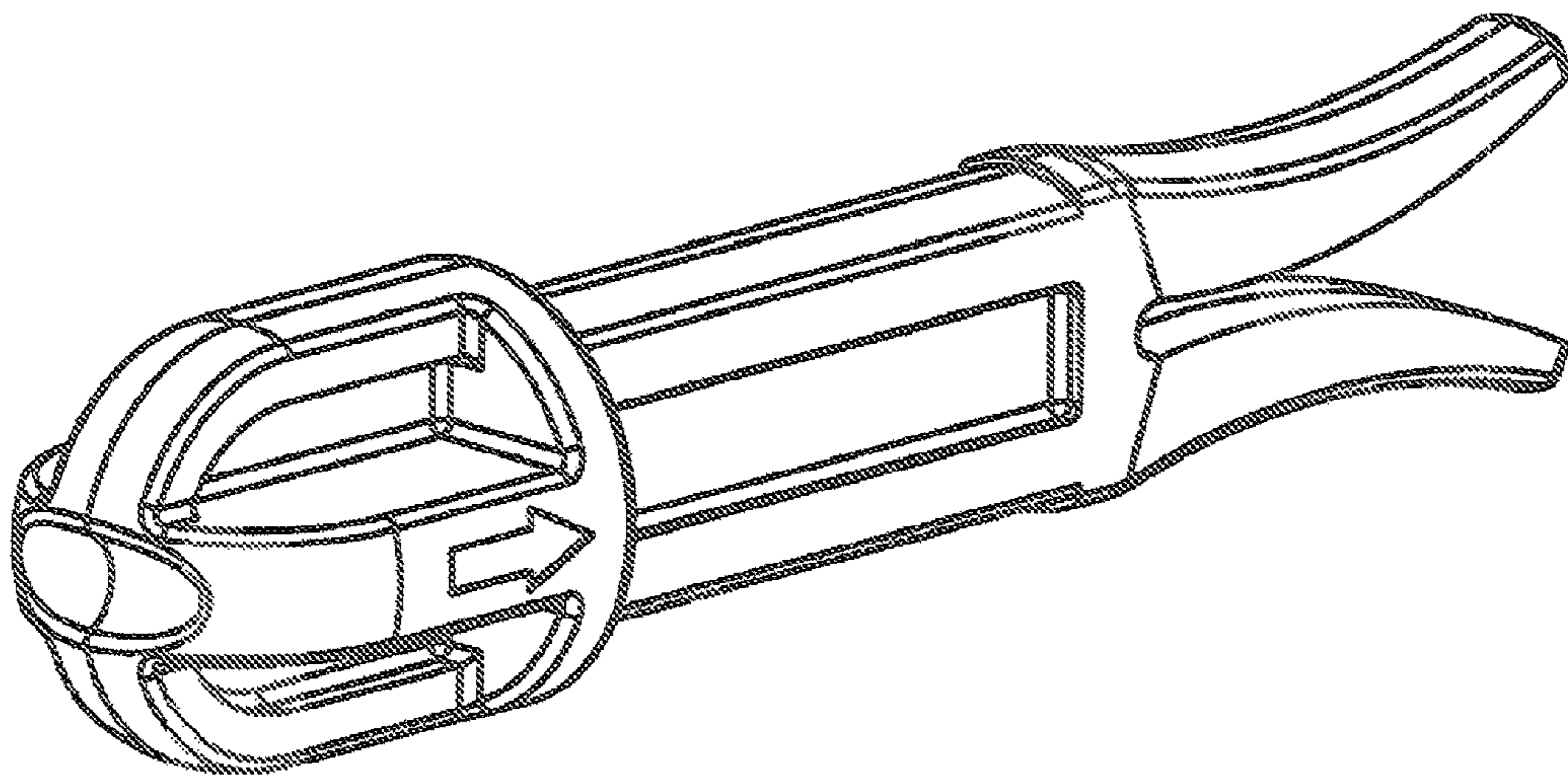


FIGURE 1

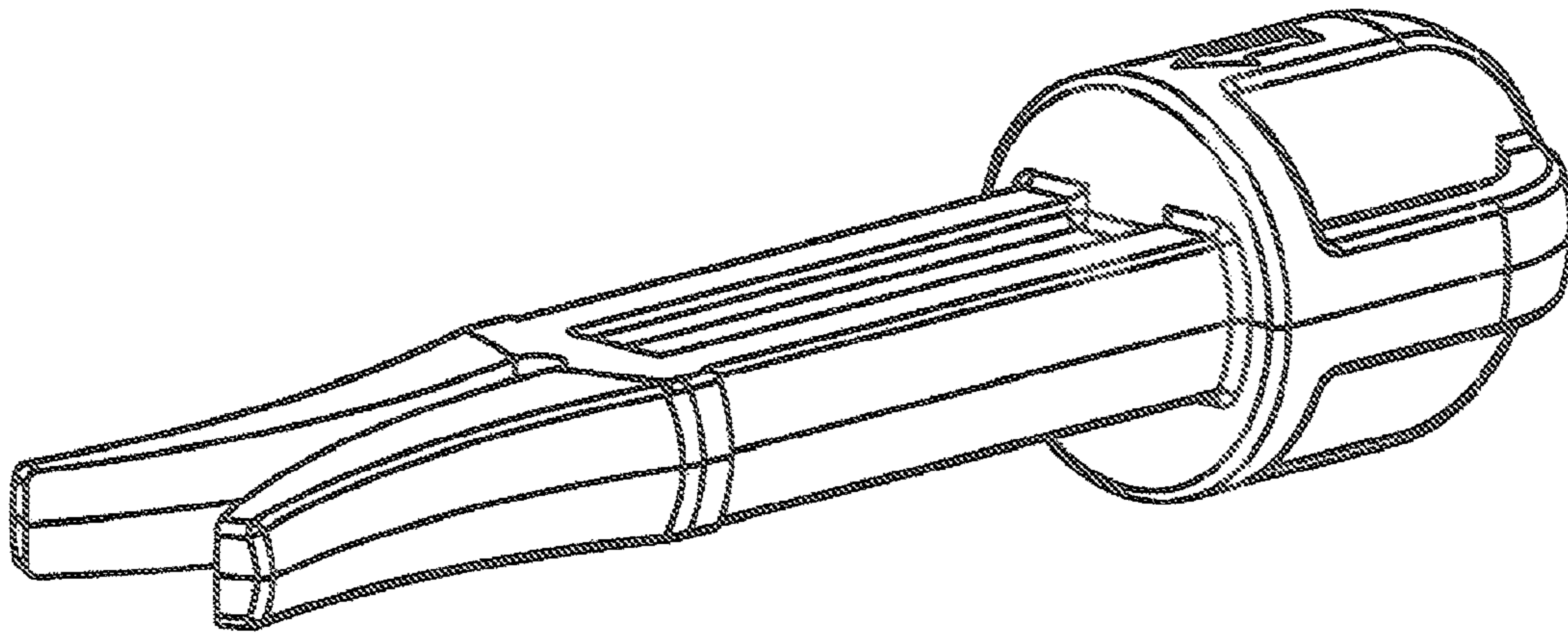


FIGURE 2

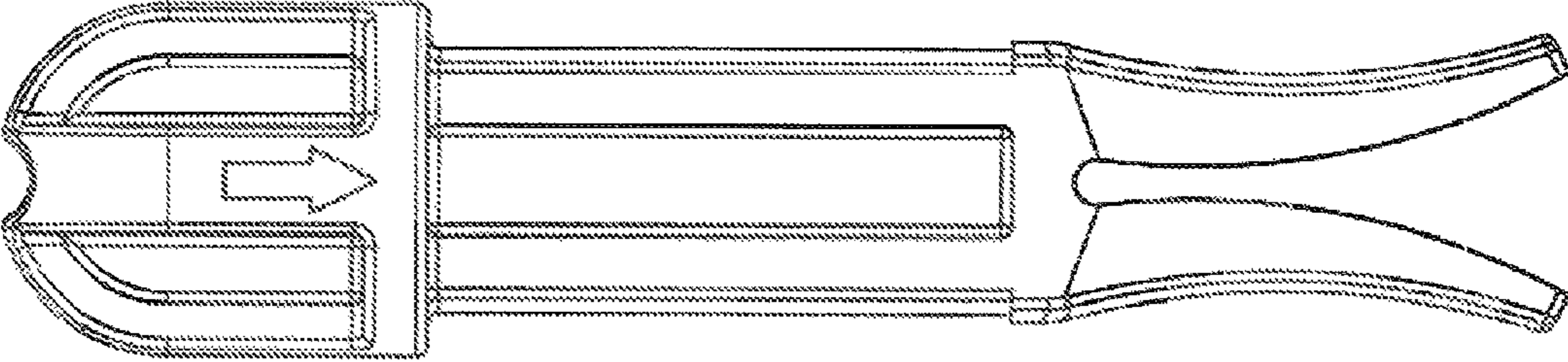


FIGURE 3

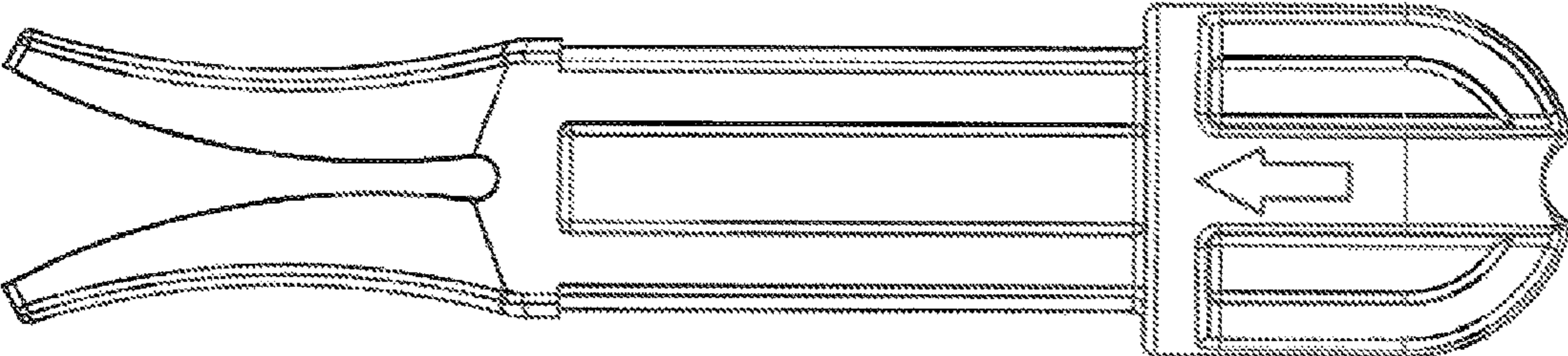


FIGURE 4

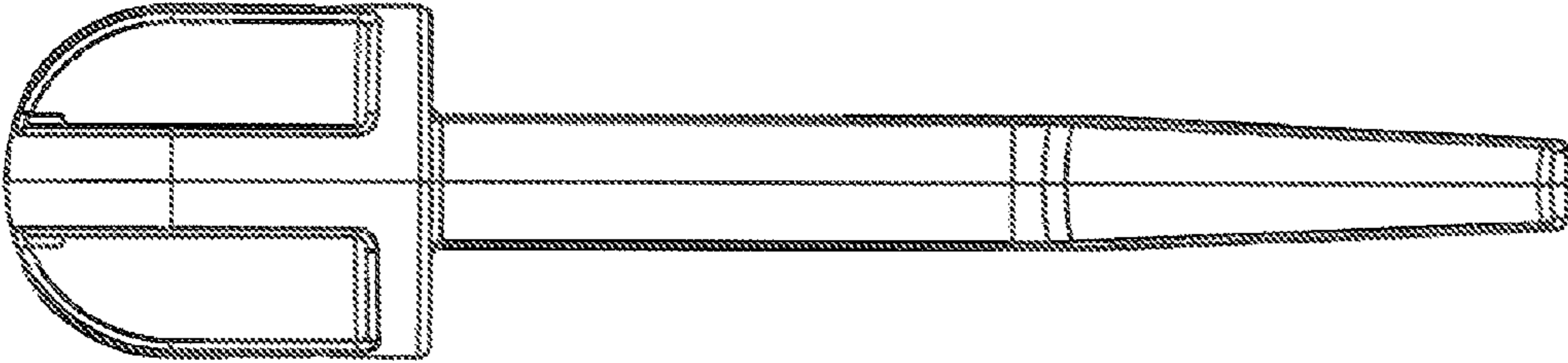


FIGURE 5

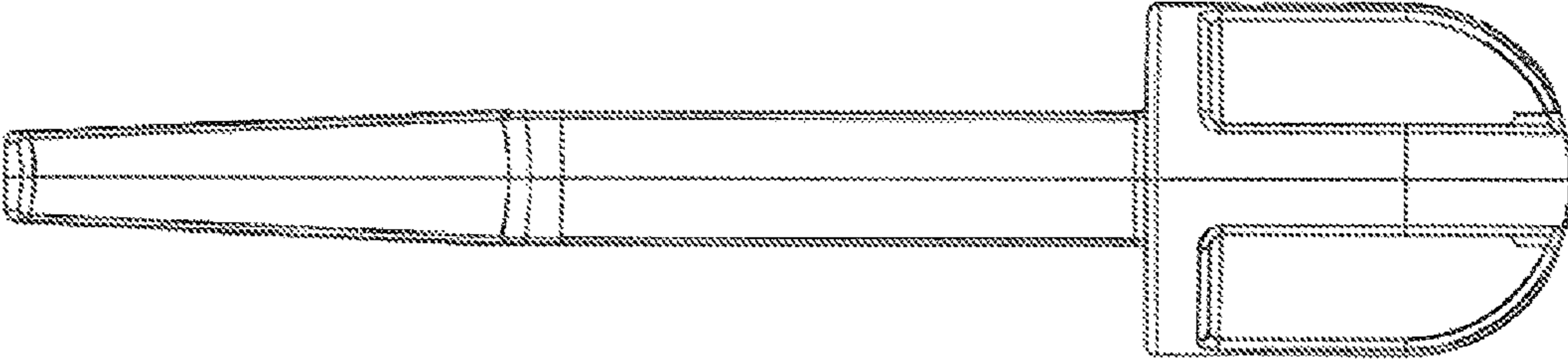


FIGURE 6

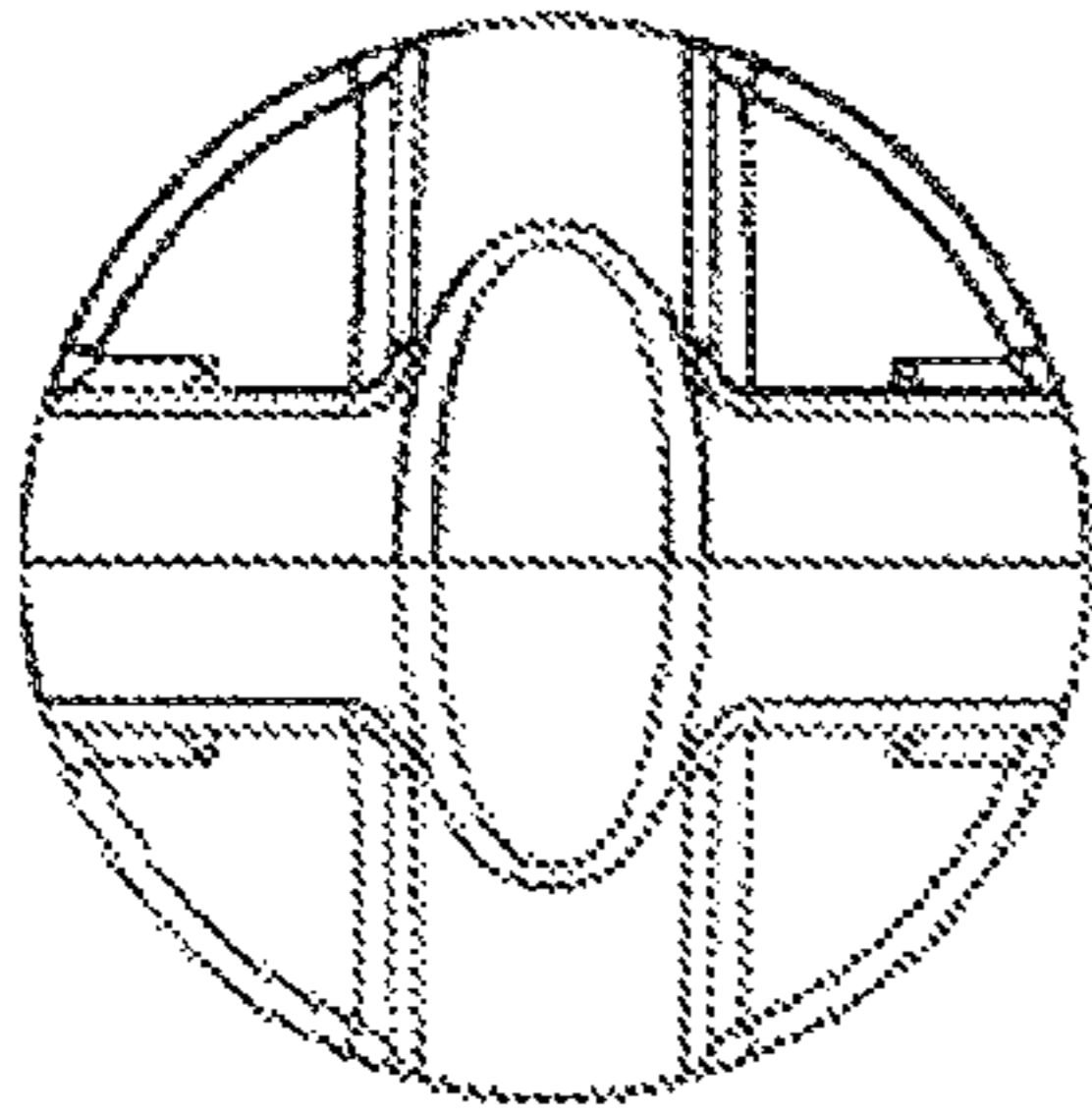


FIGURE 7

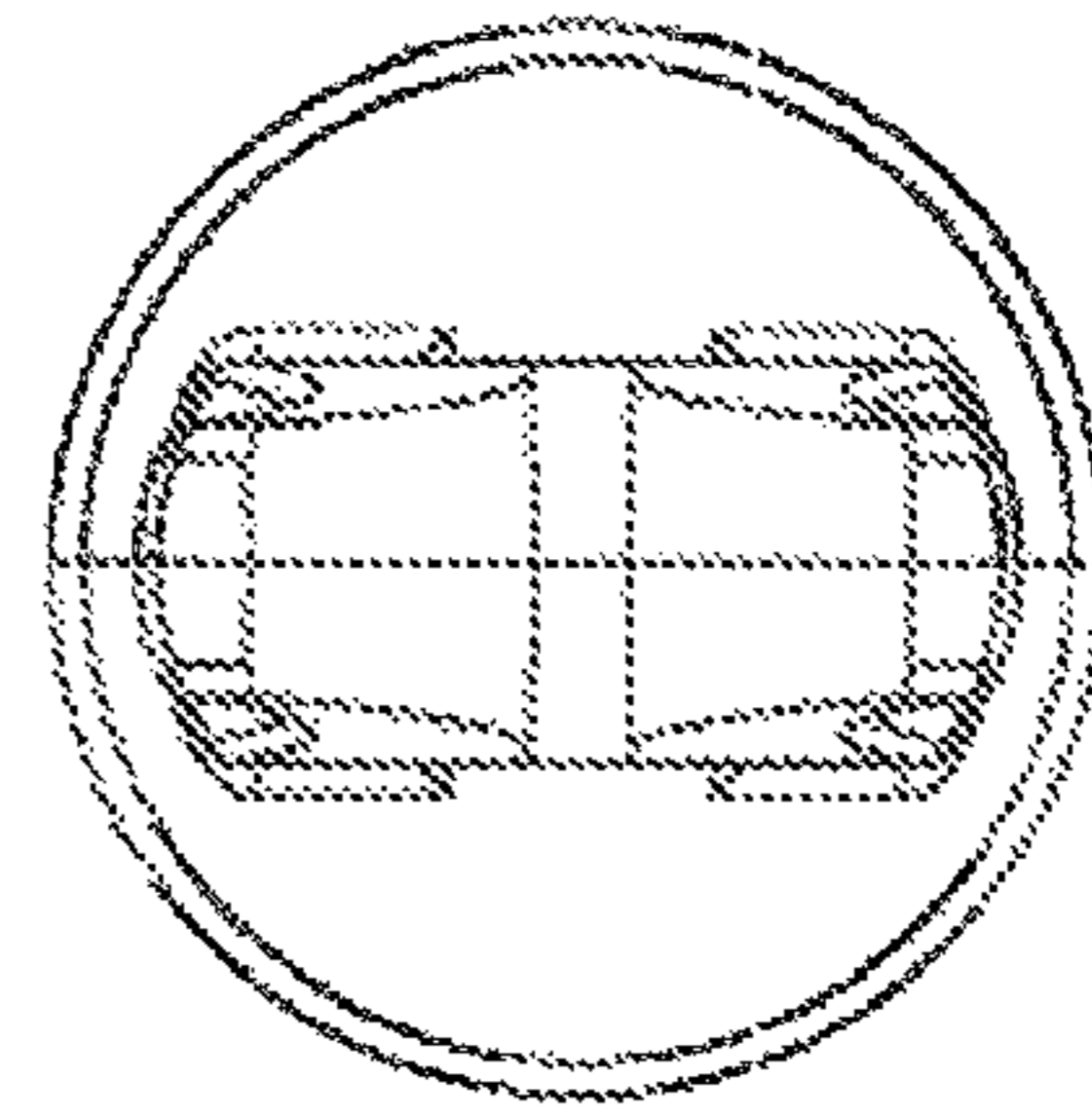


FIGURE 8