



US00D659452S

(12) **United States Design Patent**
Yang et al.

(10) **Patent No.:** **US D659,452 S**
(45) **Date of Patent:** **** May 15, 2012**

(54) **SOAP PUMP**

(75) Inventors: **Frank Yang**, Rancho Palos Verdes, CA (US); **Tzu-Hao Wei**, Hacienda Heights, CA (US); **Di-Fong Chang**, Torrance, CA (US); **Myk Lum**, Irvine, CA (US); **Adam Wade**, Rancho Santa Margarita, CA (US)

5,472,719 A 12/1995 Favre
5,477,984 A 12/1995 Sayama et al.
5,632,414 A 5/1997 Merriweather, Jr.
5,771,925 A 6/1998 Lewandowski
5,823,390 A 10/1998 Muderlak et al.
5,829,636 A 11/1998 Vuong et al.
5,836,482 A 11/1998 Ophardt et al.
5,960,991 A 10/1999 Ophardt

(Continued)

(73) Assignee: **simplehuman, LLC**, Torrance, CA (US)

(**) Term: **14 Years**

(21) Appl. No.: **29/386,878**

(22) Filed: **Mar. 4, 2011**

(51) **LOC (9) Cl.** **23-02**

(52) **U.S. Cl.** **D6/542**

(58) **Field of Classification Search** D6/542-545;
D9/682, 688, 690, 291, 448, 449; 221/282;
222/14, 173, 146.3, 628, 251, 181.1, 181.3
See application file for complete search history.

(56) **References Cited**

U.S. PATENT DOCUMENTS

2,697,446 A 12/1954 Harrington
2,772,817 A 12/1956 Jauch
3,023,922 A 3/1962 Arrington
3,149,754 A 9/1964 Wolf et al.
3,220,954 A 11/1965 Malbe
4,056,050 A 11/1977 Brown
4,217,993 A 8/1980 Jess et al.
4,498,843 A 2/1985 Schneider et al.
4,722,372 A 2/1988 Hoffman et al.
4,915,347 A 4/1990 Iqbal et al.
4,938,384 A 7/1990 Pilolla
4,967,935 A 11/1990 Celest
5,028,328 A 7/1991 Long
5,082,150 A 1/1992 Steiner et al.
5,186,360 A 2/1993 Mease et al.
5,199,118 A 4/1993 Cole et al.
5,271,528 A 12/1993 Chien
5,305,916 A 4/1994 Suzuki et al.

FOREIGN PATENT DOCUMENTS

JP D1117308 6/2001

(Continued)

OTHER PUBLICATIONS

U.S. Appl. No. 29/357,570, filed Mar. 12, 2010, Yang et al.

(Continued)

Primary Examiner — Brian N Vinson

(74) *Attorney, Agent, or Firm* — Knobbe, Martens, Olson & Bear, LLP

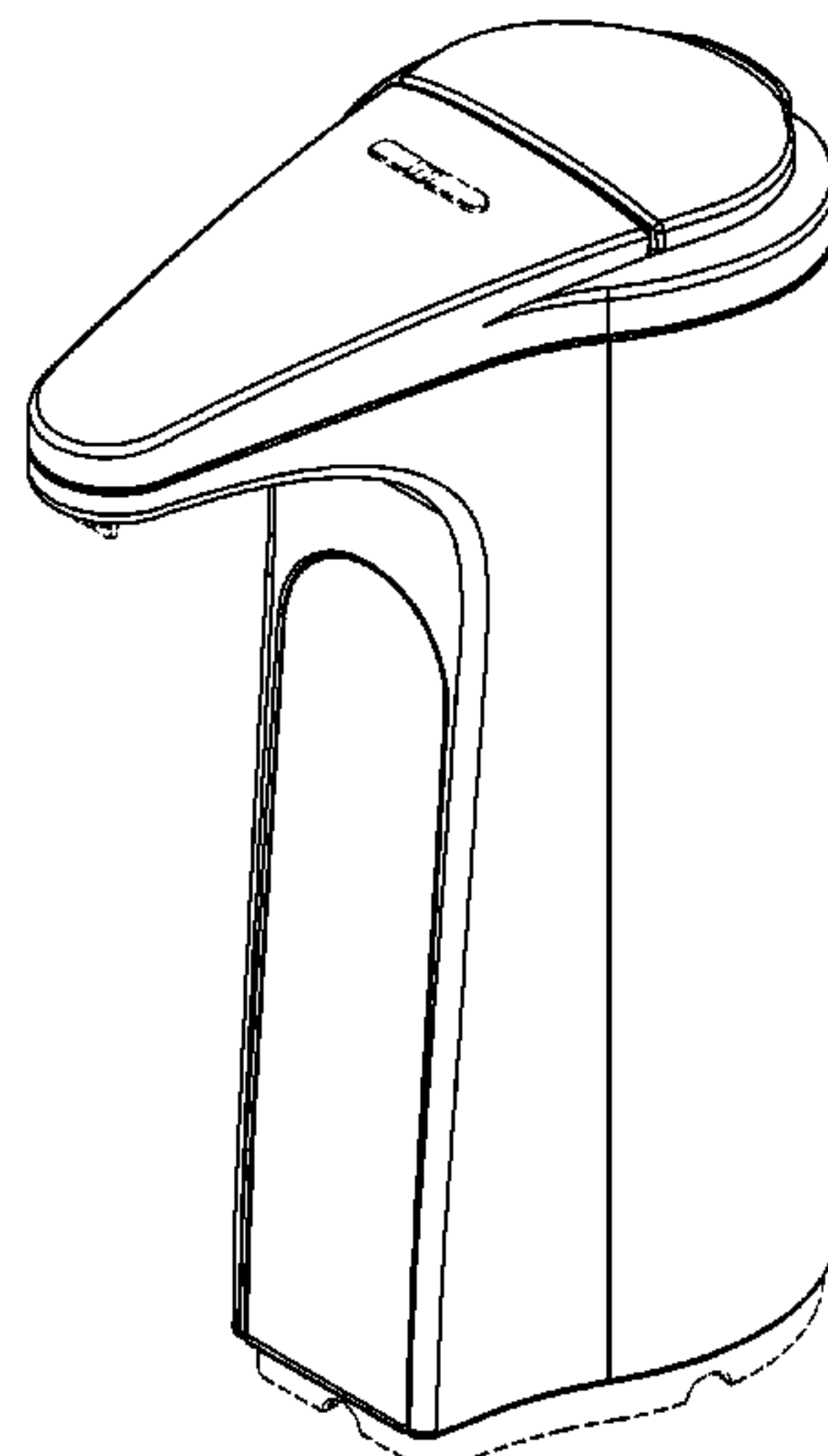
(57) **CLAIM**

The ornamental design for a soap pump, as shown and described herein.

DESCRIPTION

FIG. 1 is a top, front, and left side perspective view of a soap pump showing our new design
FIG. 2 is a front elevation view thereof;
FIG. 3 is a rear elevation view thereof;
FIG. 4 is a left-side elevation view thereof, the right-side elevation view being a mirror image of the left-side elevation view;
FIG. 5 is a top plan view thereof; and,
FIG. 6 is a bottom plan view thereof.
The broken-line disclosure is understood to represent portions of the article in which the claimed design is embodied, but which forms no part of the claimed design.

1 Claim, 6 Drawing Sheets



US D659,452 S

Page 2

U.S. PATENT DOCUMENTS

D416,154	S	11/1999	Diehl	
5,988,451	A	11/1999	Hanna	
6,021,705	A	2/2000	Dijs	
6,021,960	A	2/2000	Kehat	
6,036,056	A	3/2000	Lee et al.	
D426,093	S *	6/2000	Cayouette	D6/542
D426,413	S *	6/2000	Kreitemier et al.	D6/543
6,126,290	A	10/2000	Veigel	
D438,041	S	2/2001	Huang	
6,209,752	B1	4/2001	Mitchell et al.	
RE37,173	E	5/2001	Jefferson, Jr. et al.	
6,279,460	B1	8/2001	Pope	
6,279,777	B1	8/2001	Goodin et al.	
6,311,868	B1	11/2001	Krietemeier et al.	
6,375,038	B1	4/2002	Daansen et al.	
6,443,328	B1	9/2002	Fehl et al.	
6,444,956	B1	9/2002	Witcher et al.	
6,557,584	B1	5/2003	Lucas et al.	
6,594,105	B1	7/2003	Brittner	
D483,974	S	12/2003	Reed	
6,698,616	B2	3/2004	Hidle et al.	
6,722,265	B2	4/2004	Priley	
D490,262	S	5/2004	Graves et al.	
6,748,850	B1	6/2004	Kraan	
6,777,007	B2	8/2004	Cai	
6,805,042	B2	10/2004	Mordini et al.	
6,832,542	B2	12/2004	Hu et al.	
6,892,899	B2	5/2005	Minard et al.	
6,929,150	B2	8/2005	Muderlak et al.	
7,008,073	B2	3/2006	Stuhlmacher, II	
D530,954	S *	10/2006	Snell	D6/542
D531,440	S *	11/2006	Lo	D6/542
D534,753	S *	1/2007	Christianson	D6/542
7,178,746	B2	2/2007	Gross	
D554,412	S *	11/2007	Yang et al.	D6/542
7,296,765	B2	11/2007	Rodrian	
D564,273	S *	3/2008	Yang et al.	D6/542

7,337,635	B2	3/2008	Cerruti et al.	
D565,878	S	4/2008	Krus	
7,354,015	B2	4/2008	Byrd et al.	
D581,193	S *	11/2008	Ghiorghie	D6/542
D582,187	S *	12/2008	Yang et al.	D6/542
D593,784	S *	6/2009	Chan	D6/542
7,540,397	B2	6/2009	Muderlak et al.	
D608,578	S	1/2010	Yang et al.	
8,087,543	B2	1/2012	Yang et al.	
2002/0179643	A1	12/2002	Knight et al.	
2004/0032749	A1	2/2004	Schindler et al.	
2004/0050875	A1	3/2004	Kobayashi	
2004/0103792	A1	6/2004	Cirigliano et al.	
2004/0134924	A1	7/2004	Hansen et al.	
2004/0226962	A1	11/2004	Mazursky et al.	
2006/0067546	A1	3/2006	Lewis et al.	
2006/0173576	A1	8/2006	Goerg et al.	
2006/0243740	A1	11/2006	Reynolds et al.	
2007/0000941	A1	1/2007	Hadden et al.	
2007/0138208	A1	6/2007	Scholz et al.	
2007/0158359	A1	7/2007	Rodrian	
2008/0185396	A1	8/2008	Yang et al.	
2008/0185398	A1	8/2008	Yang et al.	
2008/0185399	A1	8/2008	Yang et al.	
2009/0140004	A1	6/2009	Scorgie	
2010/0282772	A1	11/2010	Ionidis	
2011/0114669	A1	5/2011	Yang et al.	

FOREIGN PATENT DOCUMENTS

JP	D1266683	2/2006
KR	3002845520000	11/2001
WO	WO 2008/095187	8/2008

OTHER PUBLICATIONS

U.S. Appl. No. 29/386,854, filed Mar. 4, 2011, Yang et al.

* cited by examiner

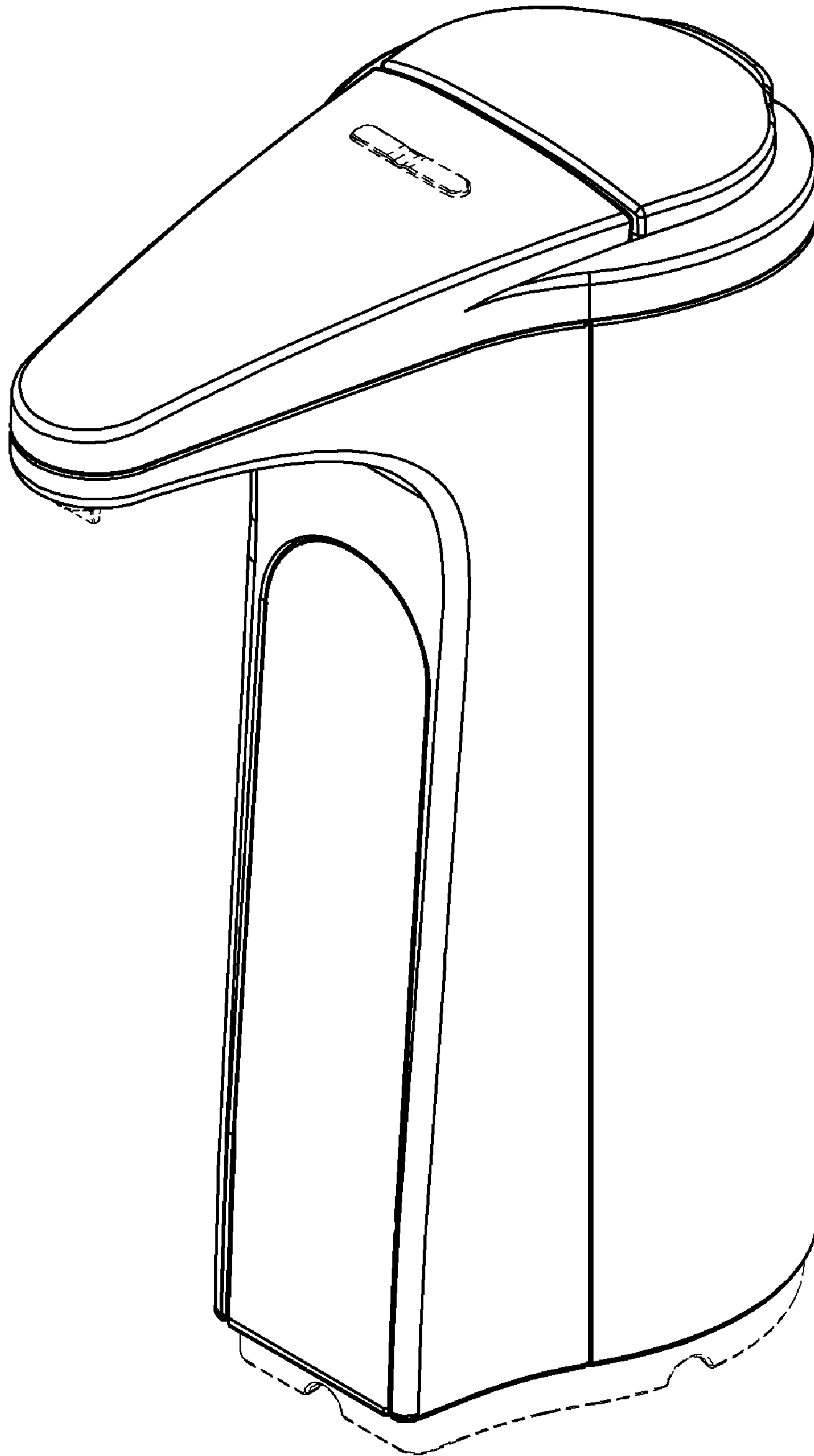


FIG. 1

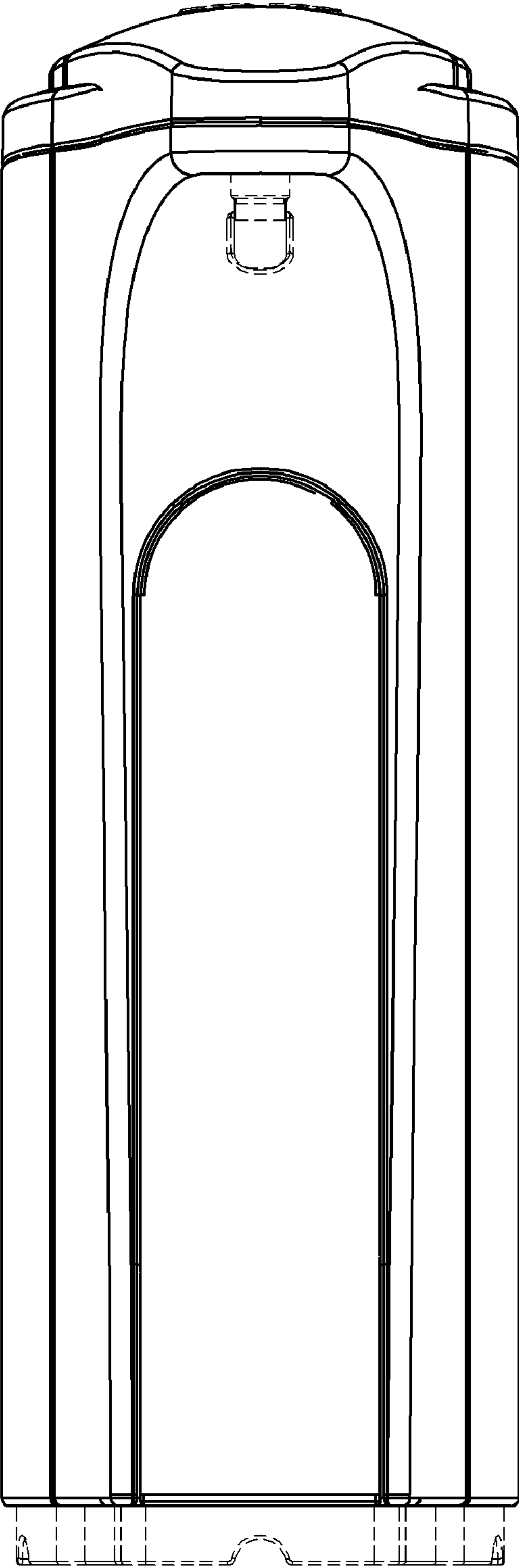


FIG. 2

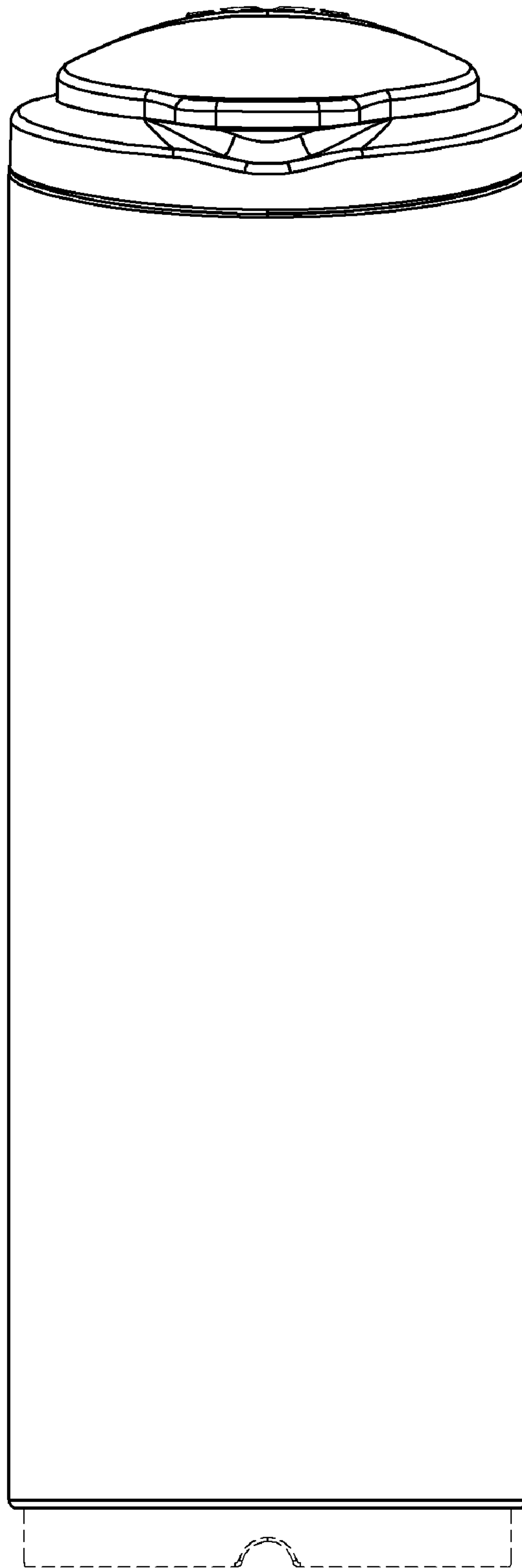


FIG. 3

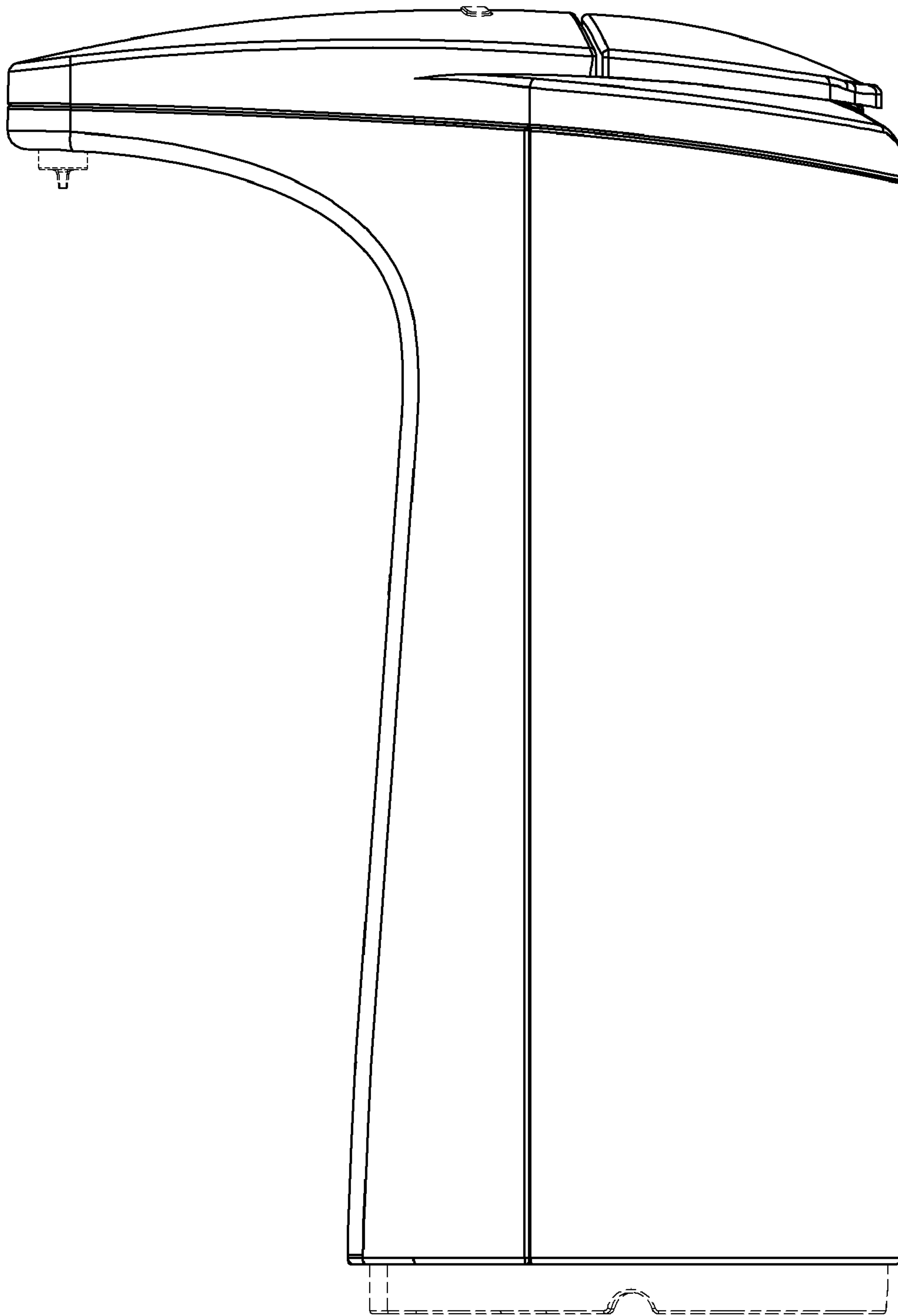


FIG. 4

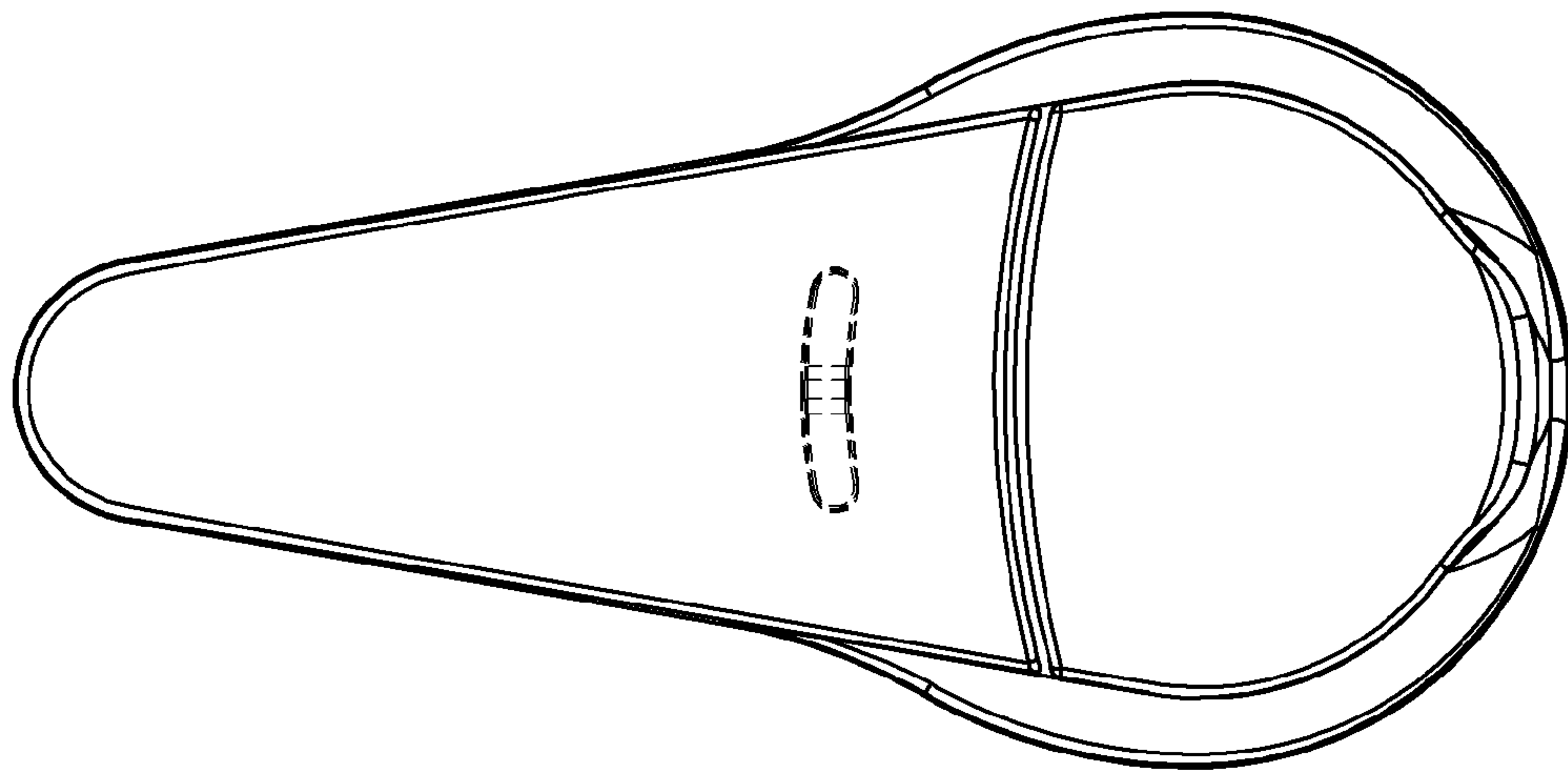


FIG. 5

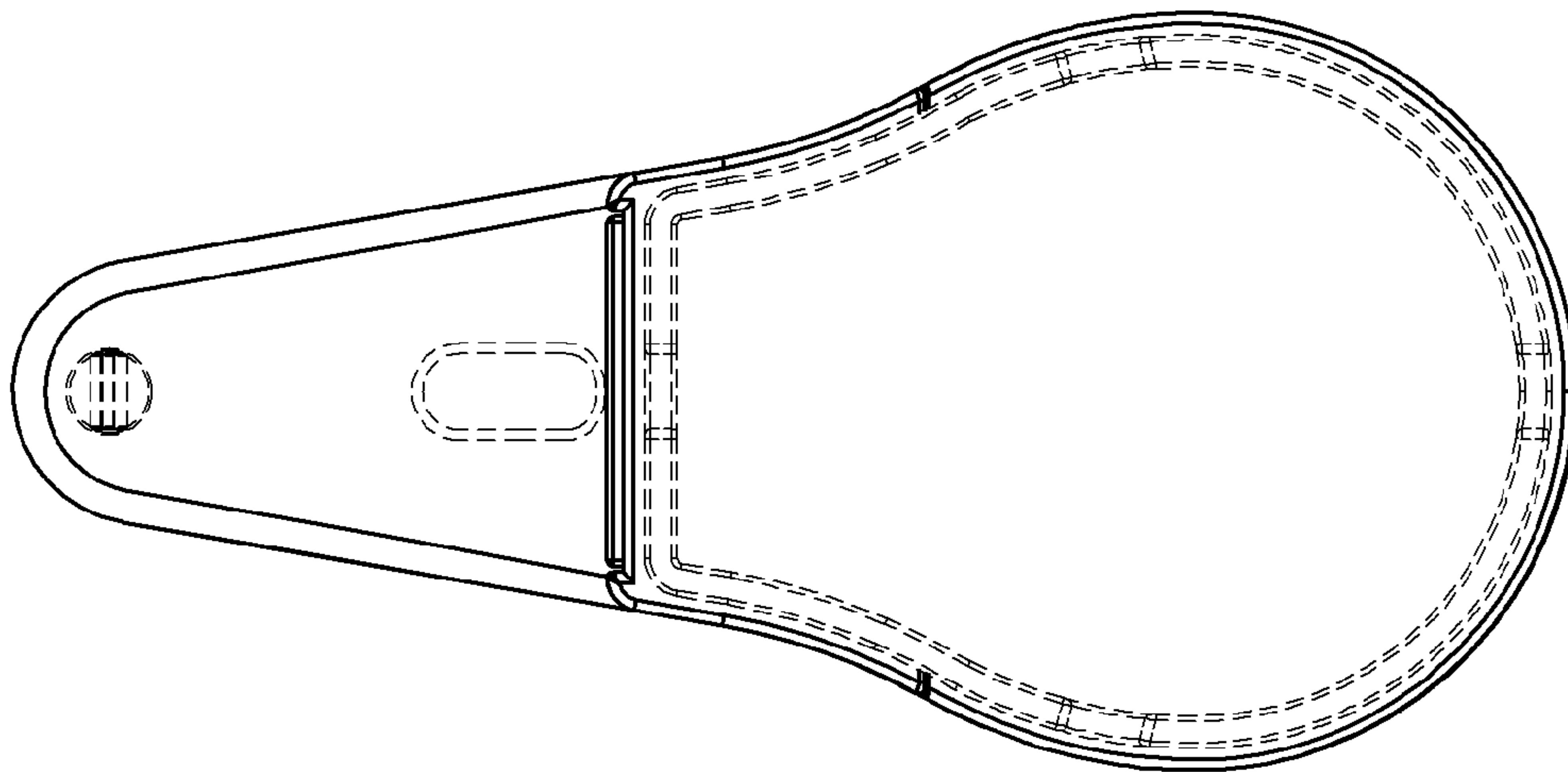


FIG. 6