



US00D659451S

(12) **United States Design Patent**
Hattenbach

(10) **Patent No.:** **US D659,451 S**

(45) **Date of Patent:** **** May 15, 2012**

(54) **TABLE**

(76) Inventor: **Linda Pelaez Hattenbach**, Lakewood,
CO (US)

(**) Term: **14 Years**

(21) Appl. No.: **29/392,433**

(22) Filed: **May 20, 2011**

(51) **LOC (9) Cl.** **06-06**

(52) **U.S. Cl.** **D6/511**

(58) **Field of Classification Search** D6/480-489,
D6/495-499, 429, 511; 108/150, 153.1,
108/156, 157.1, 161; 248/188, 188.1, 188.7,
248/188.8

See application file for complete search history.

(56) **References Cited**

U.S. PATENT DOCUMENTS

D471,385 S * 3/2003 Diaz-Azcuy D6/480
D486,665 S * 2/2004 Weaver D6/382

7,640,871 B2 * 1/2010 Arozena Bergaretxe 108/150
* cited by examiner

Primary Examiner — Janice Seeger

(74) *Attorney, Agent, or Firm* — Dorsey & Whitney LLP

(57) **CLAIM**

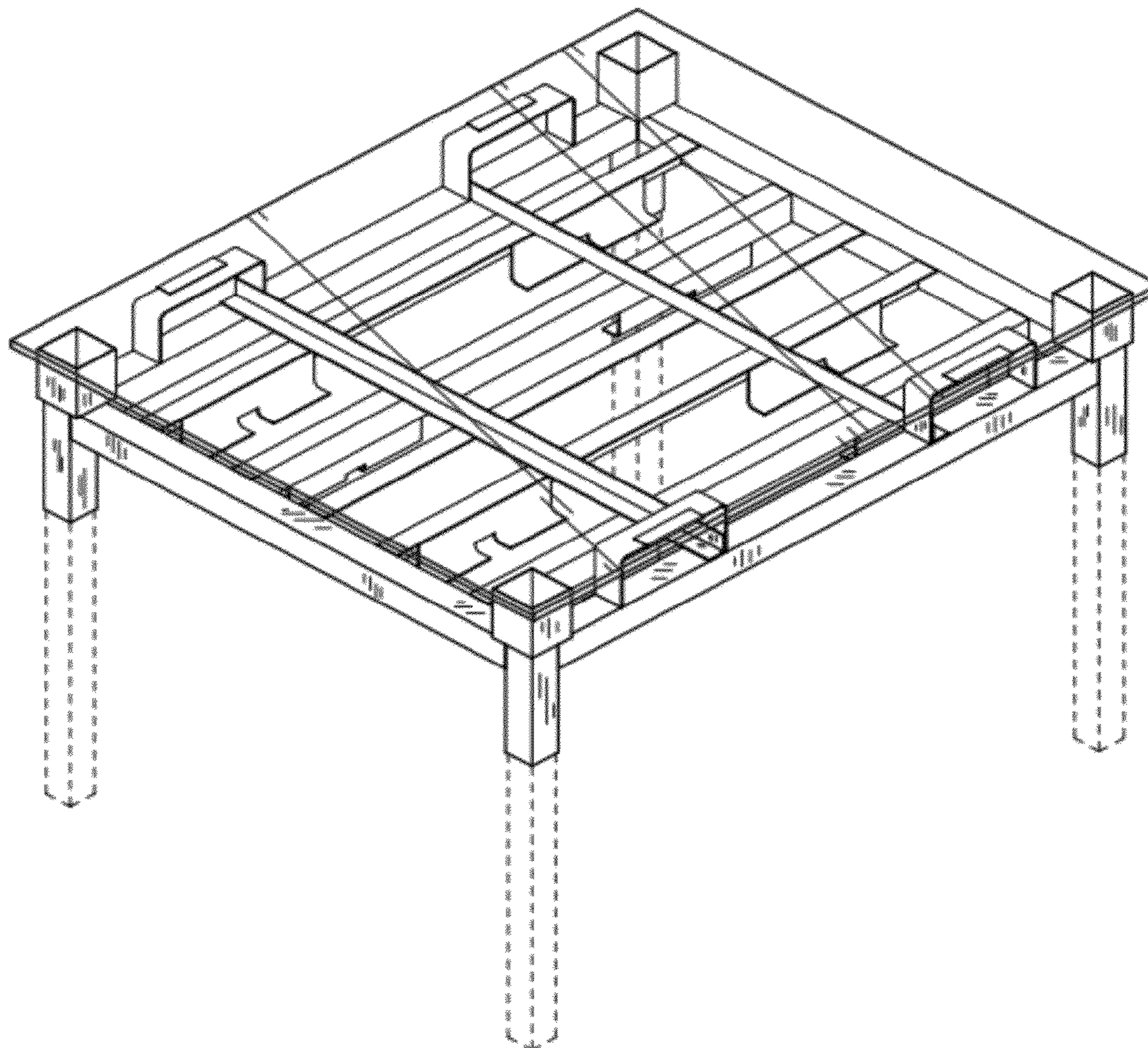
I claim the ornamental design for a table, substantially as shown and described.

DESCRIPTION

FIG. 1 is an isometric view from the top, front, left of a table.
FIG. 2 is a front elevation view of the table of FIG. 1.
FIG. 3 is a rear elevation view of the table of FIG. 1.
FIG. 4 is a right side elevation view of the table of FIG. 1.
FIG. 5 is a left side elevation view of the table of FIG. 1.
FIG. 6 is a top plan view of the table of FIG. 1.
FIG. 7 is a bottom plan view of the table of FIG. 1; and,
FIG. 8 is an isometric view from the top, front, left of the table of FIG. 1 in an alternate environment.

The broken lines shown in the drawings are for purposes of illustrating use and environment only and form no part of the claimed design.

1 Claim, 6 Drawing Sheets



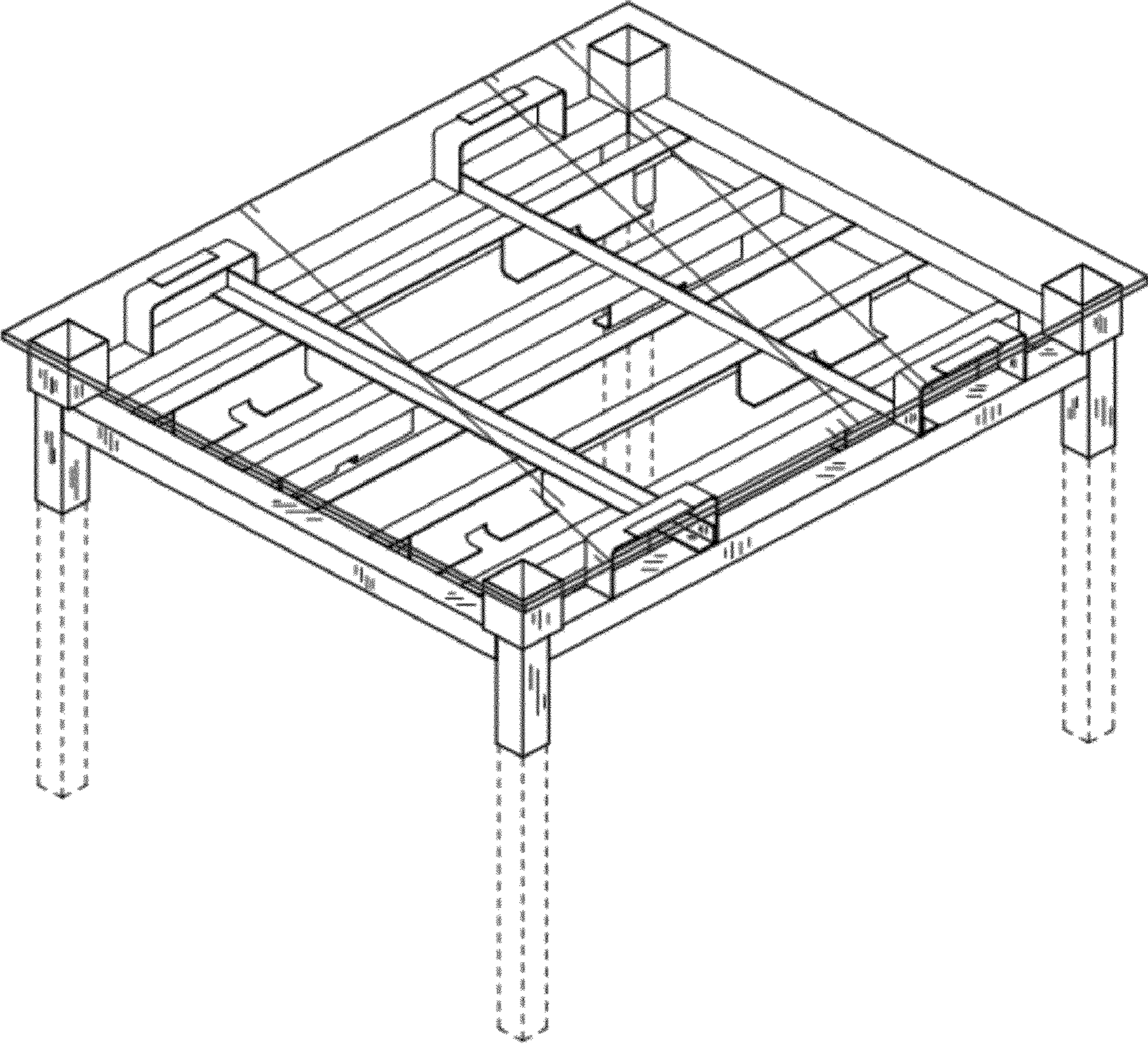


FIG. 1

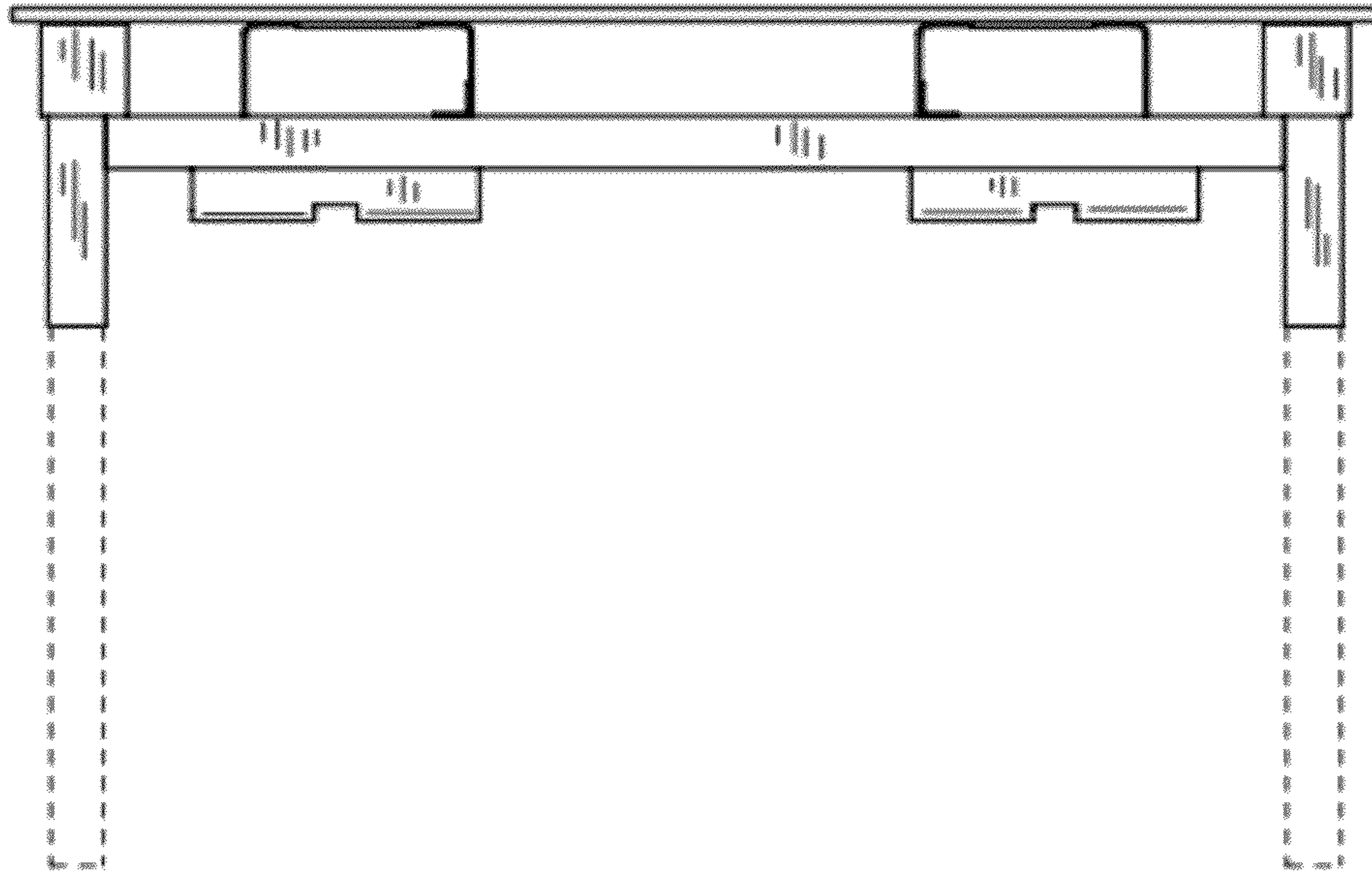


FIG. 2

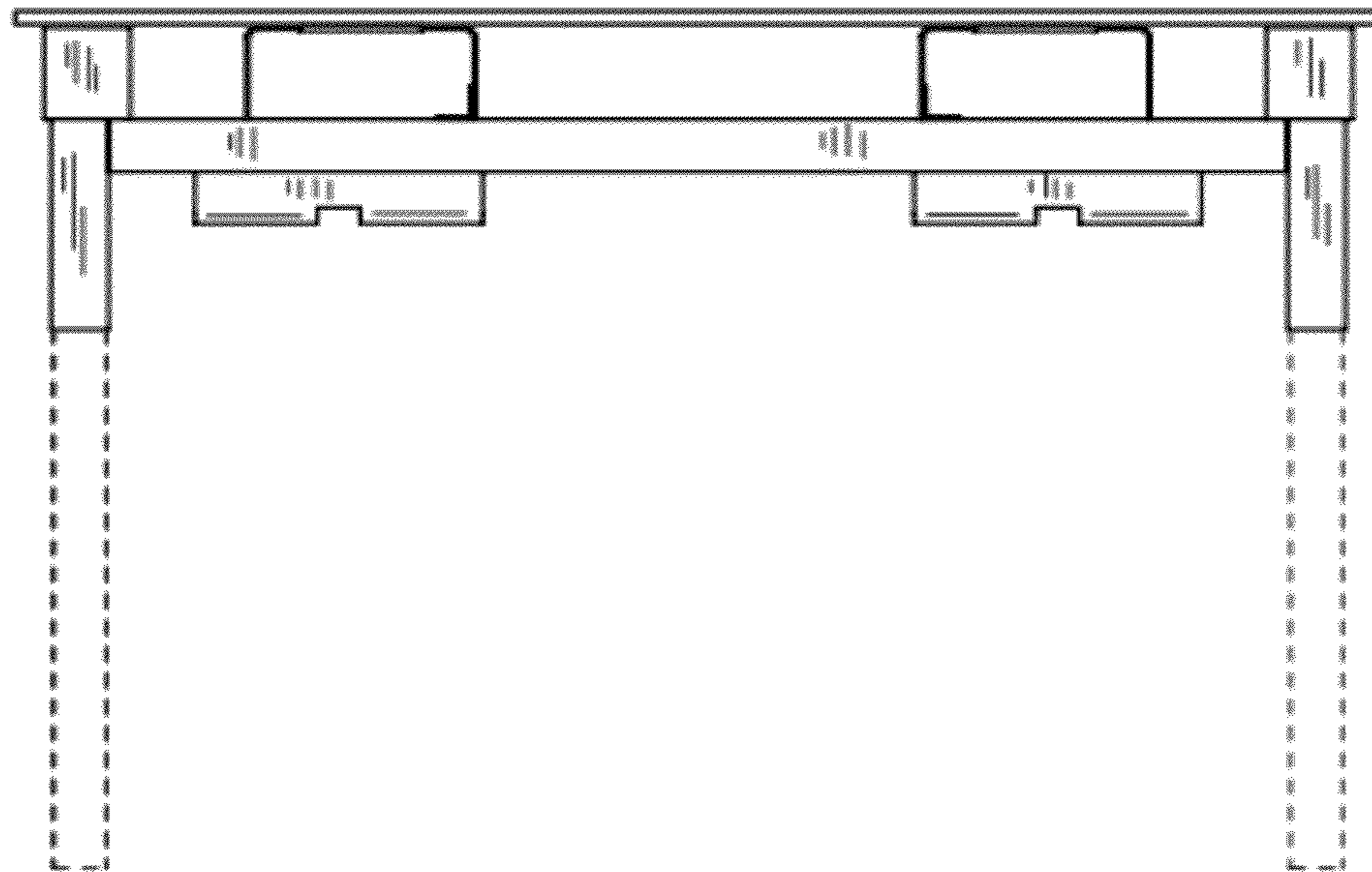


FIG. 3

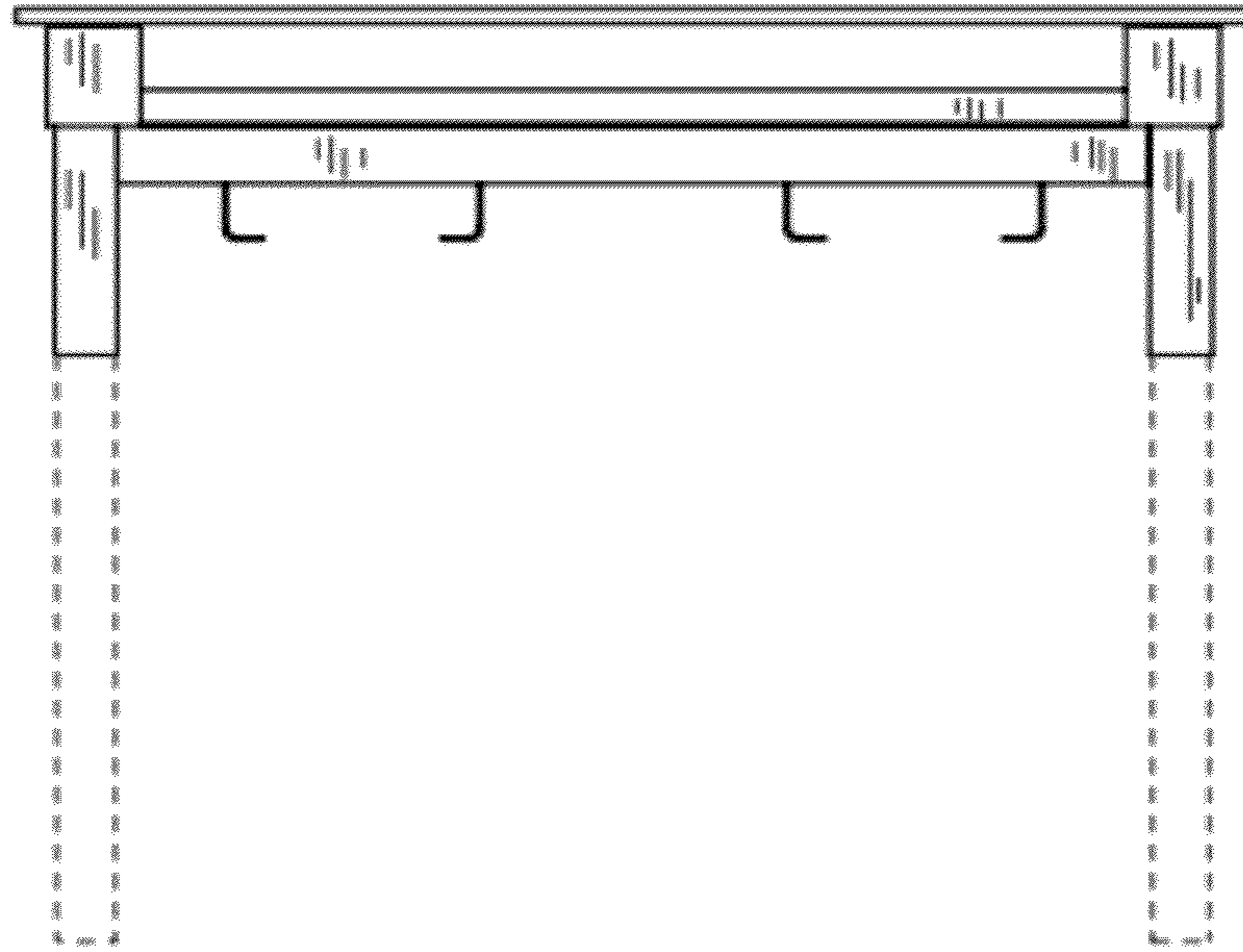


FIG. 4

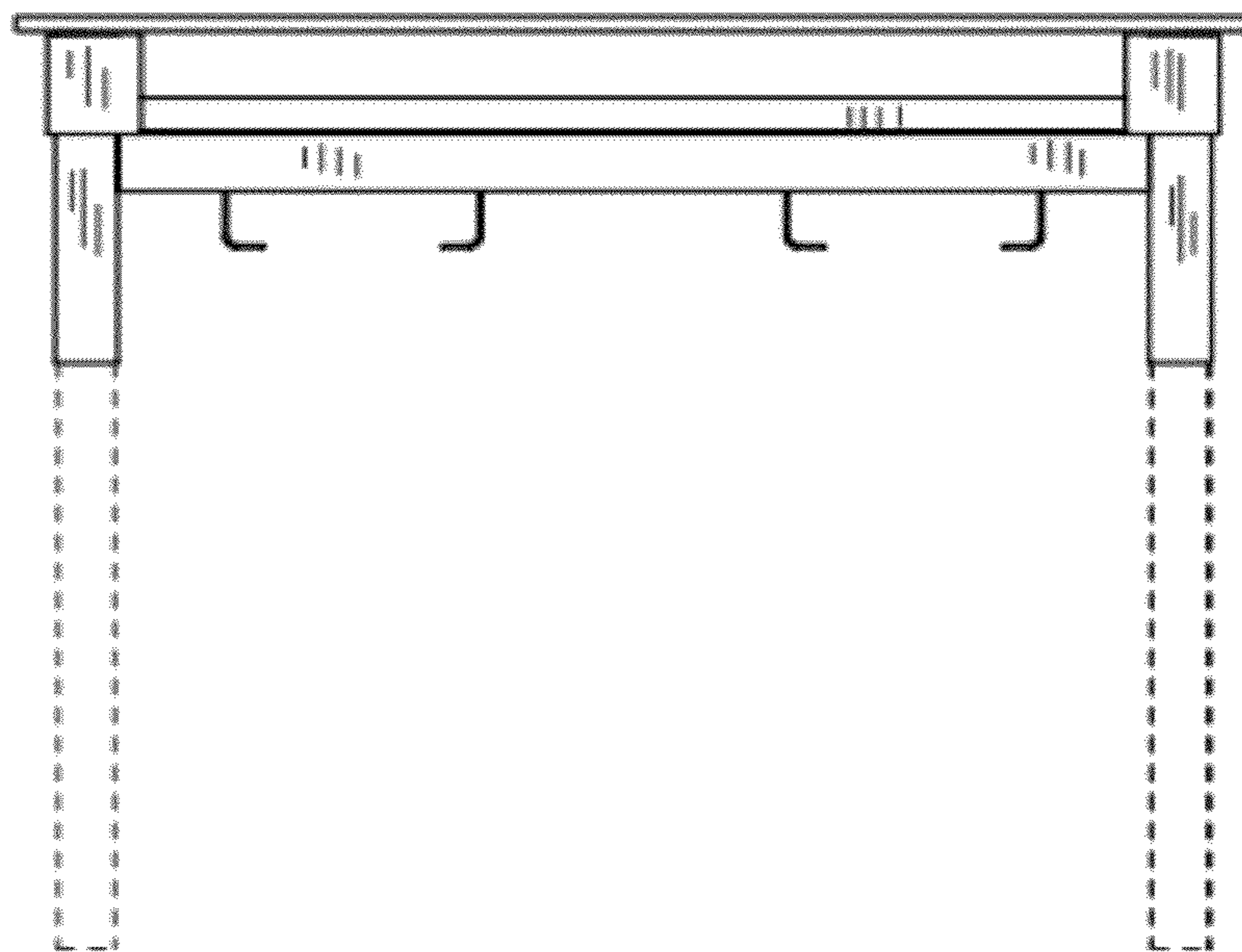


FIG. 5

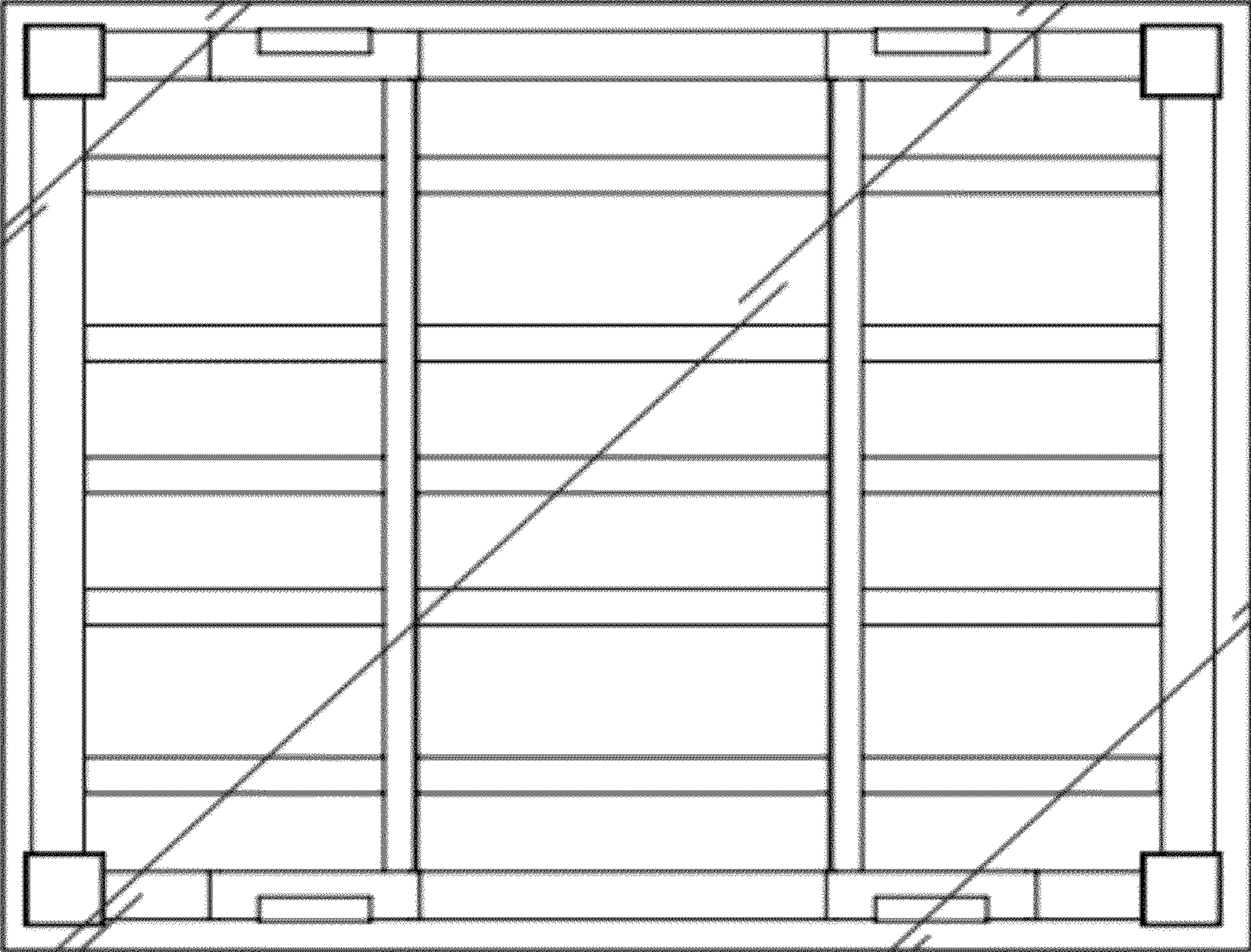


FIG.6

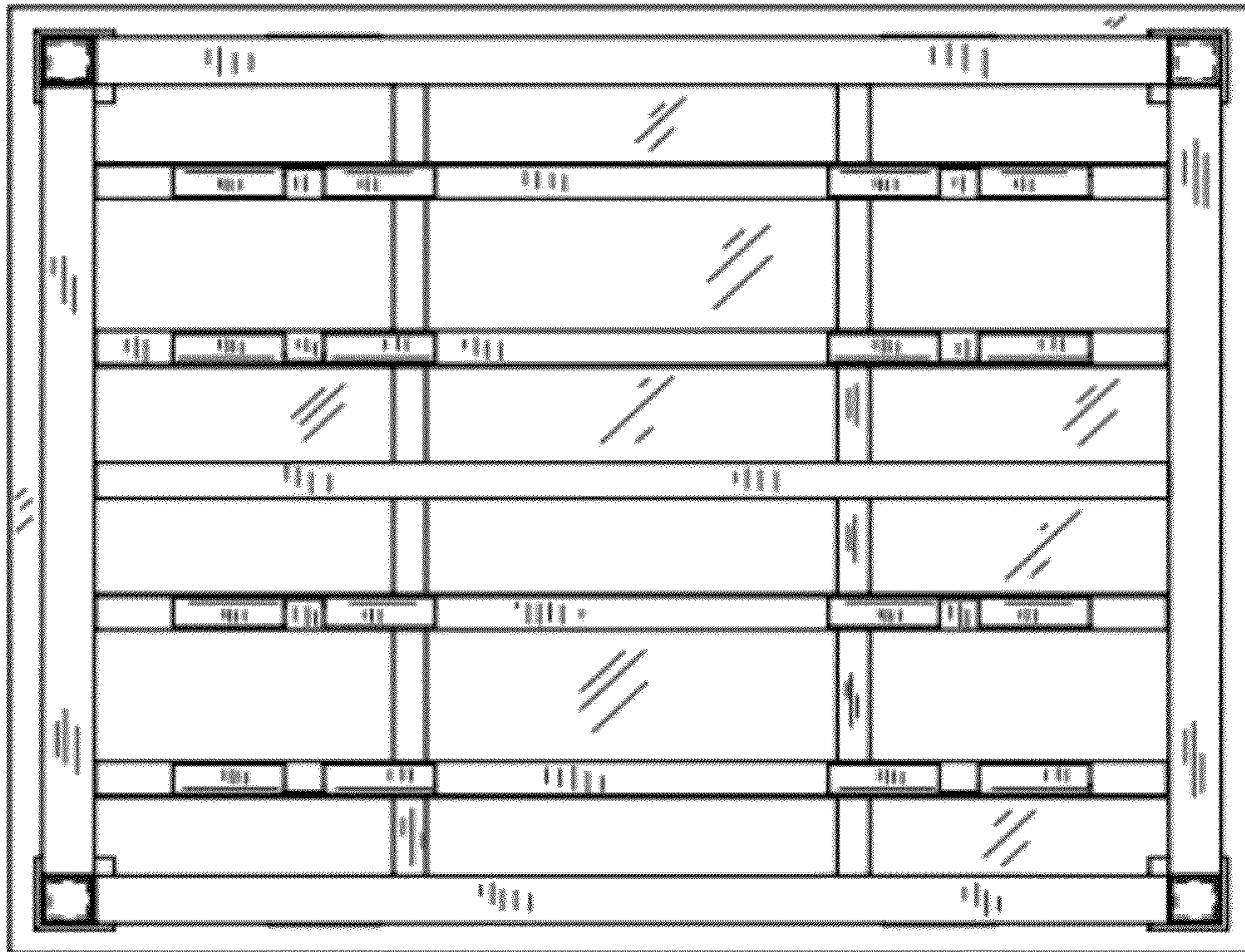


FIG.7

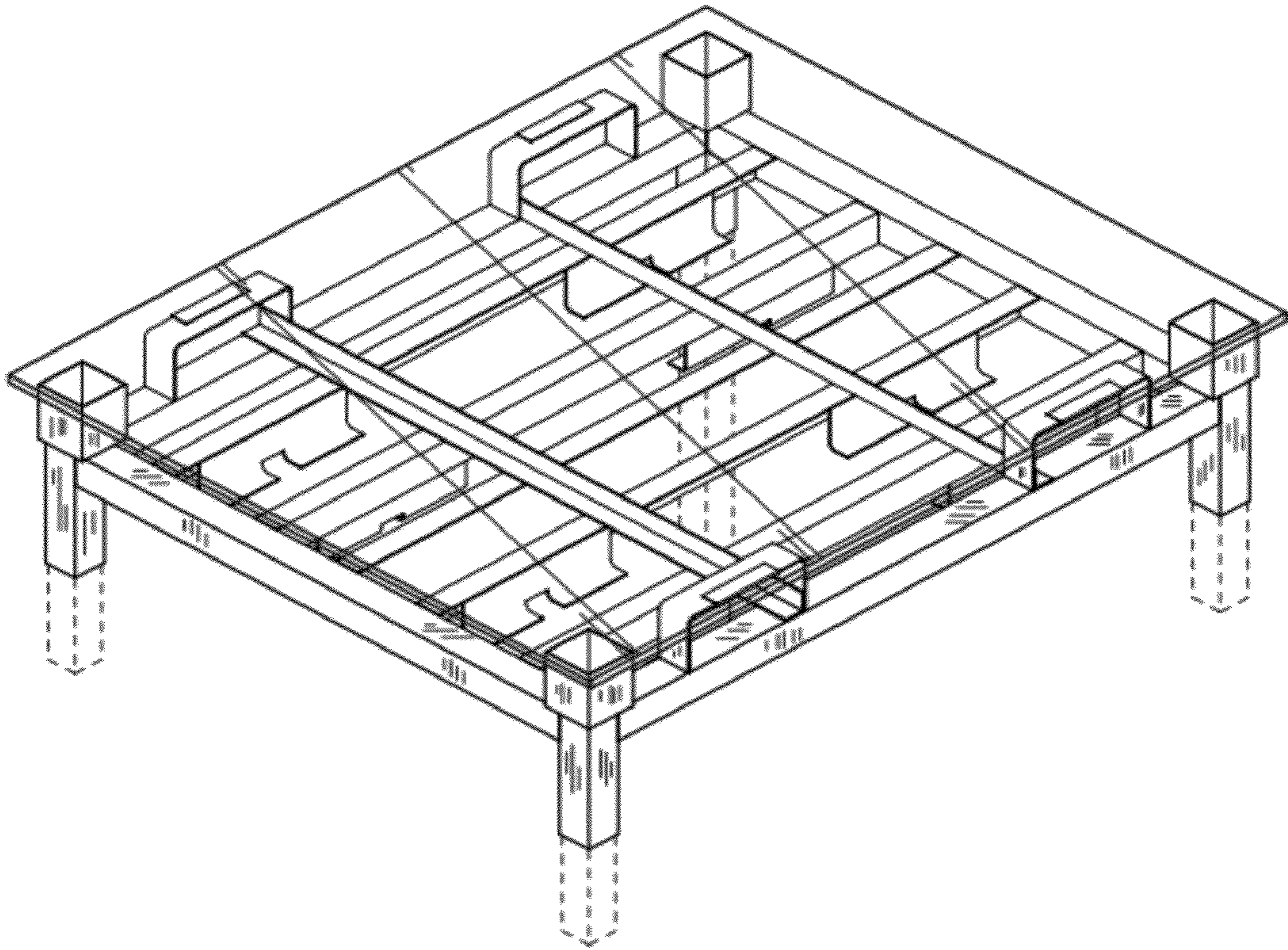


FIG.8