



US00D659449S

(12) **United States Design Patent**  
**Lawson**

(10) **Patent No.:** **US D659,449 S**

(45) **Date of Patent:** **\*\* May 15, 2012**

(54) **SHOE FENCE**

(76) Inventor: **Stephen J. Lawson, Surrey (CA)**

(\*\*) Term: **14 Years**

(21) Appl. No.: **29/371,607**

(22) Filed: **May 13, 2011**

(51) **LOC (9) Cl.** ..... **06-02**

(52) **U.S. Cl.** ..... **D6/511**

(58) **Field of Classification Search** ..... D6/491-492,  
D6/509-511, 406.3-406.4, 574; D14/447;  
108/27, 59, 180; 211/59.2, 135, 153, 186;  
312/140.1, 140.4; D8/380

See application file for complete search history.

(56) **References Cited**

**U.S. PATENT DOCUMENTS**

3,974,917 A	8/1976	Waxmanski	
4,008,807 A	2/1977	Phillips	
D275,434 S *	9/1984	Taub	D6/511
D282,995 S *	3/1986	Beverly	D6/574
D300,803 S *	4/1989	Whitley, II	D8/380
D311,657 S *	10/1990	Pate	D6/511

(Continued)

**OTHER PUBLICATIONS**

California Closets brochure, "Space: The Ultimate Accessory—California Closets Exclusive Accessory Line", 20 pages.

(Continued)

*Primary Examiner* — Brian N Vinson

(74) *Attorney, Agent, or Firm* — Bull, Housser & Tupper LLP

(57) **CLAIM**

The ornamental design for a shoe fence, as shown and described.

**DESCRIPTION**

FIG. 1 is a perspective view of the first embodiment of the design;

FIG. 2 is a front view of the first embodiment of the design;

FIG. 3 is a rear view of the first embodiment of the design;

FIG. 4 is a top view of the first embodiment of the design;

FIG. 5 is a bottom view of the first embodiment of the design;

FIG. 6 is a left side view of the first embodiment of the design, the right side view is a mirror image thereof;

FIG. 7 is a perspective view of the second embodiment of the design;

FIG. 8 is a front view of the second embodiment of the design;

FIG. 9 is a rear view of the second embodiment of the design;

FIG. 10 is a top view of the second embodiment of the design;

FIG. 11 is a bottom view of the second embodiment of the design;

FIG. 12 is a left side view of the second embodiment of the design, the right side view is a mirror image thereof;

FIG. 13 is a perspective view of the third embodiment of the design;

FIG. 14 is a front view of the third embodiment of the design;

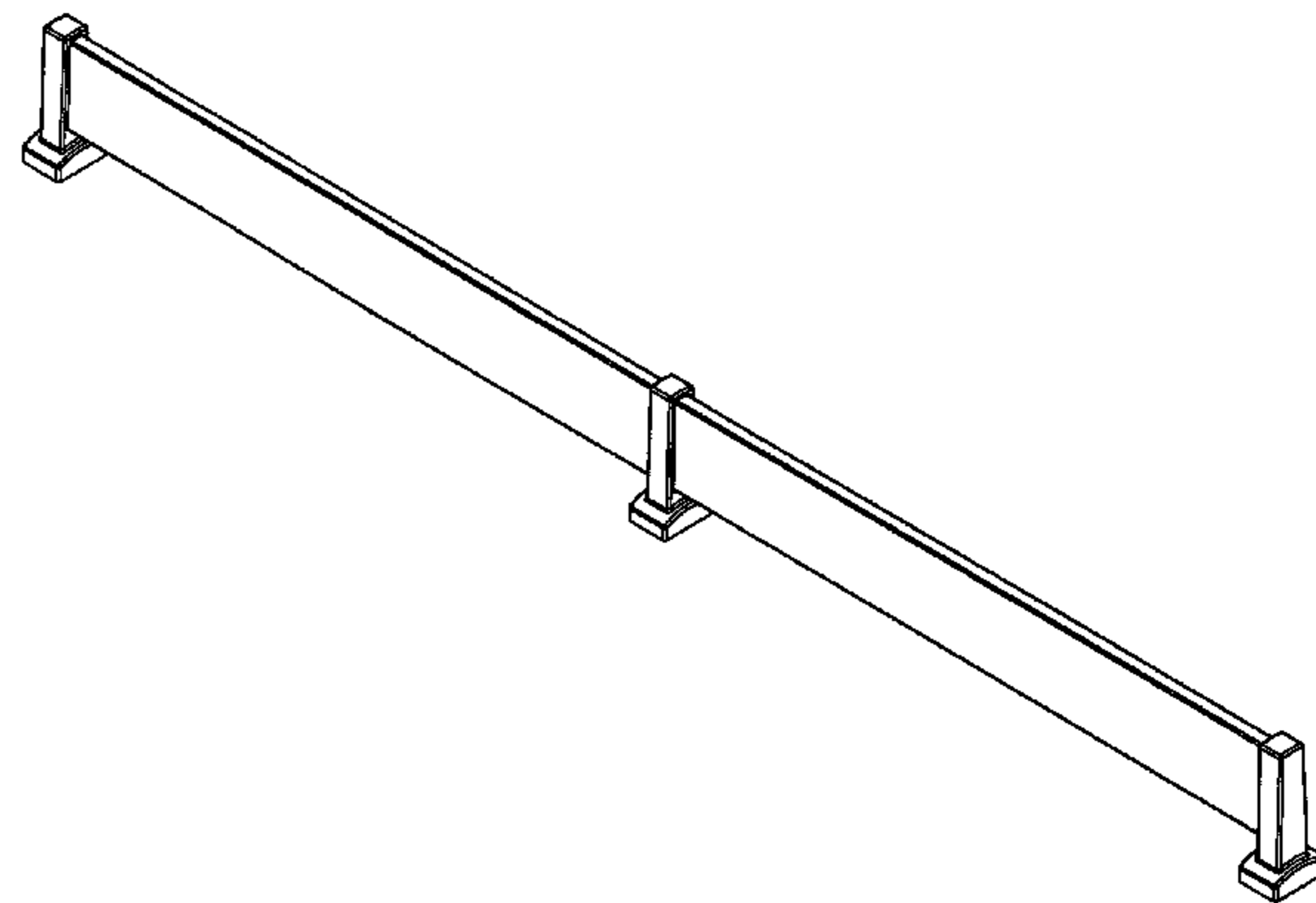
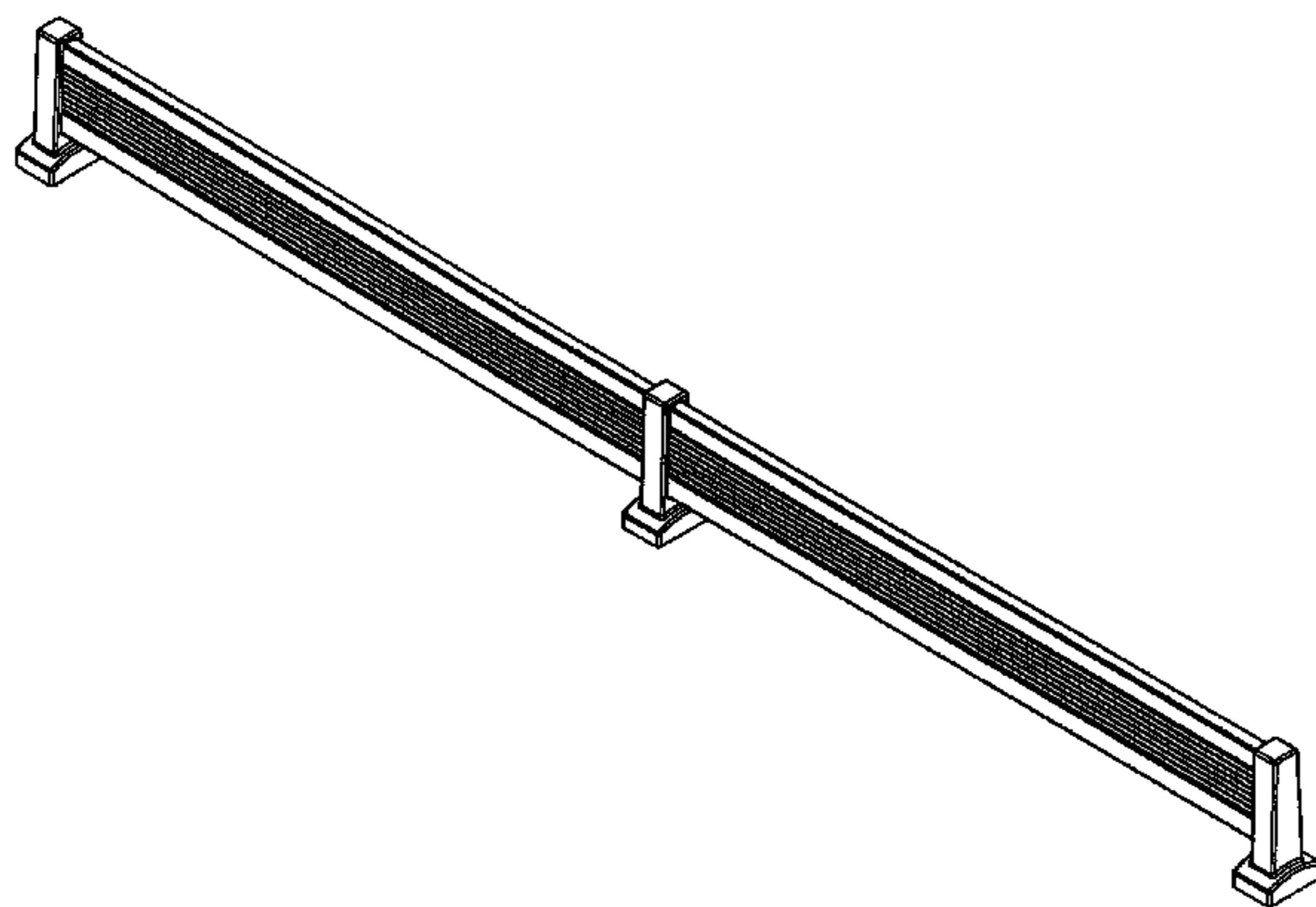
FIG. 15 is a rear view of the third embodiment of the design;

FIG. 16 is a top view of the third embodiment of the design;

FIG. 17 is a bottom view of the third embodiment of the design; and,

FIG. 18 is a left side end view of the third embodiment of the design, the right side view is a mirror image thereof.

**1 Claim, 9 Drawing Sheets**



# US D659,449 S

Page 2

---

## U.S. PATENT DOCUMENTS

5,617,959 A 4/1997 Klein et al.  
6,152,312 A 11/2000 Nava et al.  
D490,260 S \* 5/2004 Bowen ..... D6/511  
6,732,866 B2 5/2004 Fast et al.  
6,877,614 B2 4/2005 Hu  
D568,648 S \* 5/2008 Roussel et al. .... D6/511

7,503,534 B2 3/2009 Pollack  
D634,570 S \* 3/2011 Lin ..... D6/511  
D644,864 S \* 9/2011 LaBonia et al. .... D6/511

## OTHER PUBLICATIONS

Richelieu Closet Solutions brochure, 20 pages, Mar. 2006.

\* cited by examiner

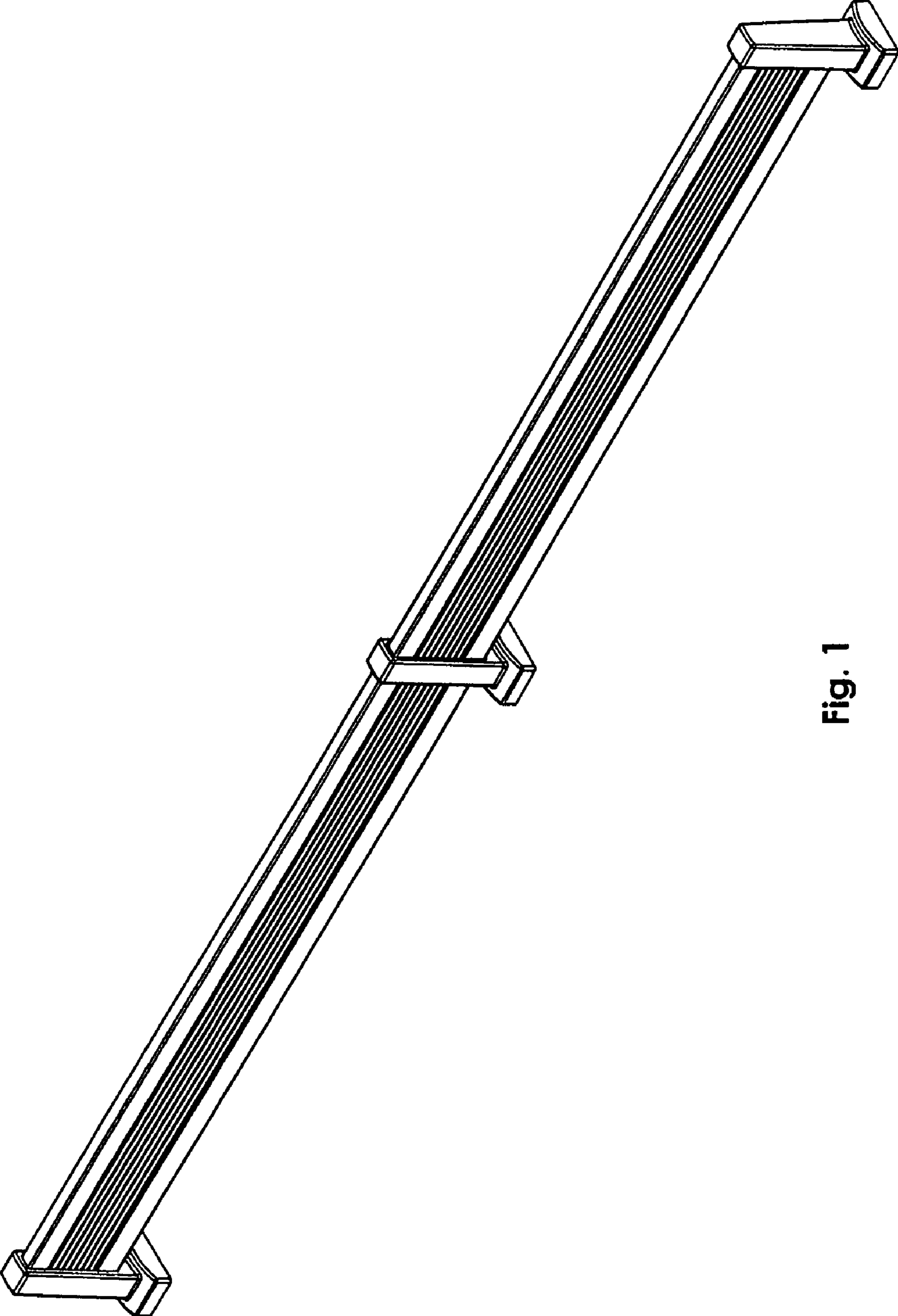


Fig. 1

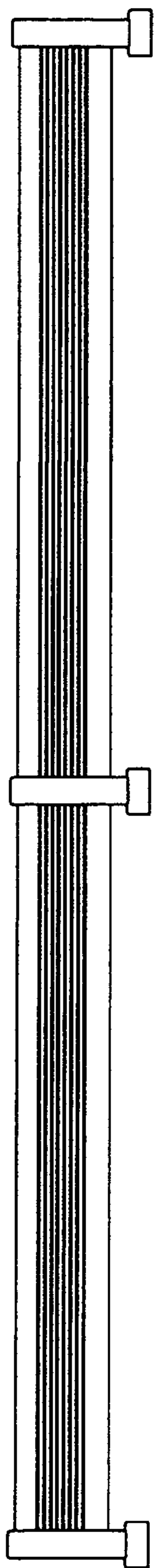


Fig. 2

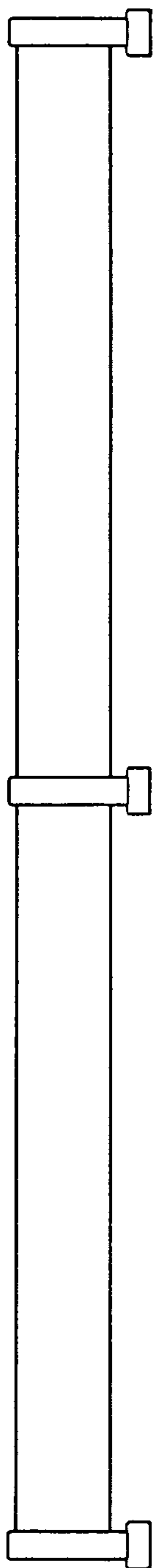


Fig. 3

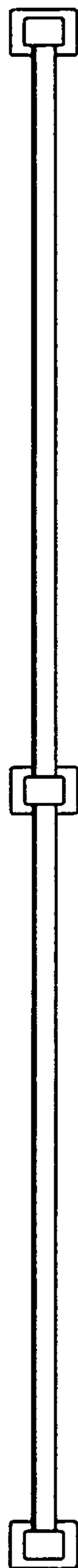


Fig. 4

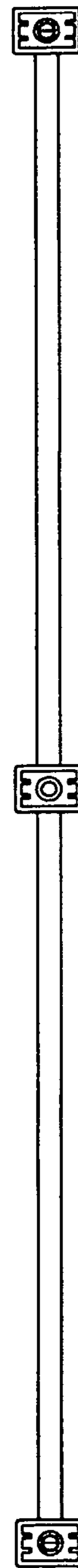


Fig. 5

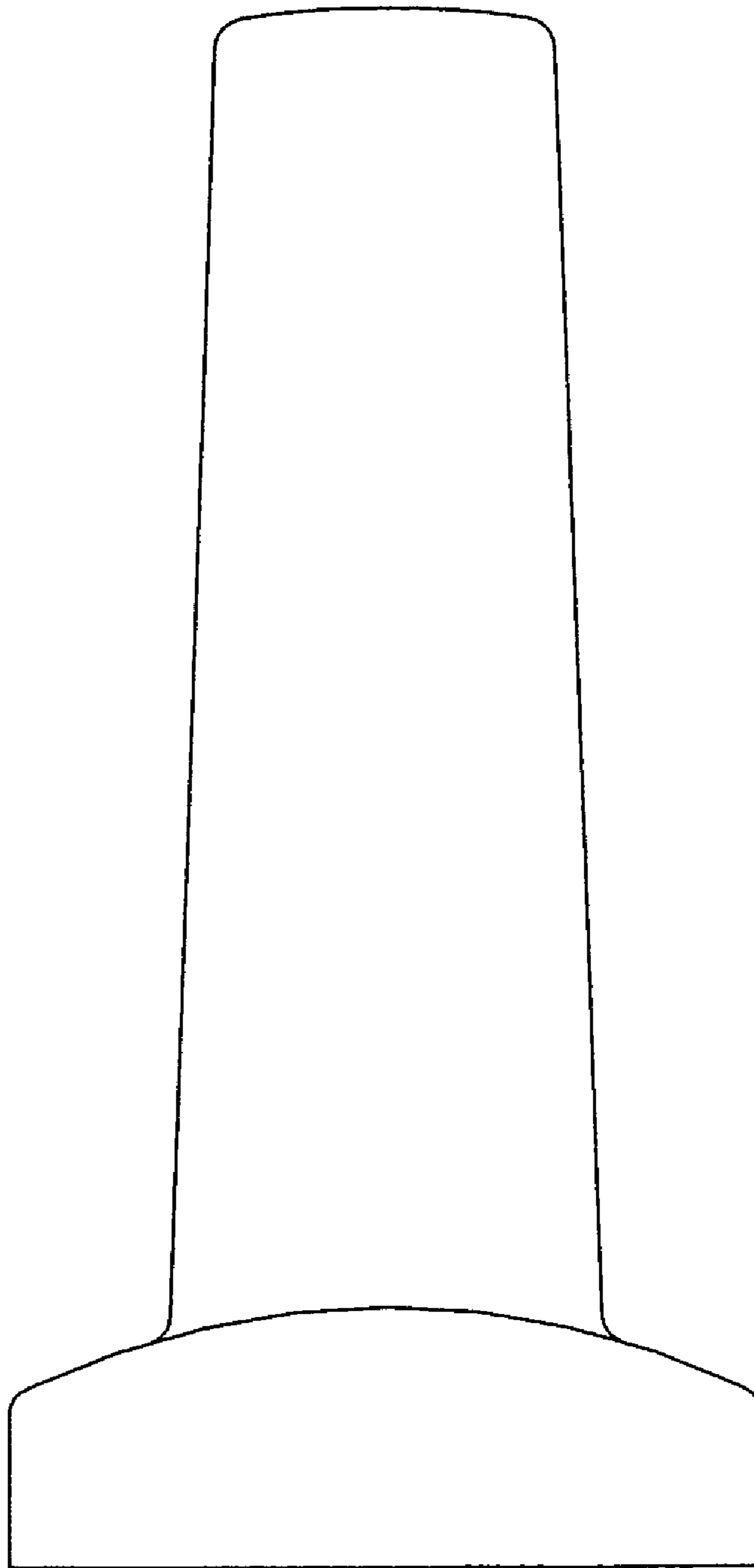


Fig.6

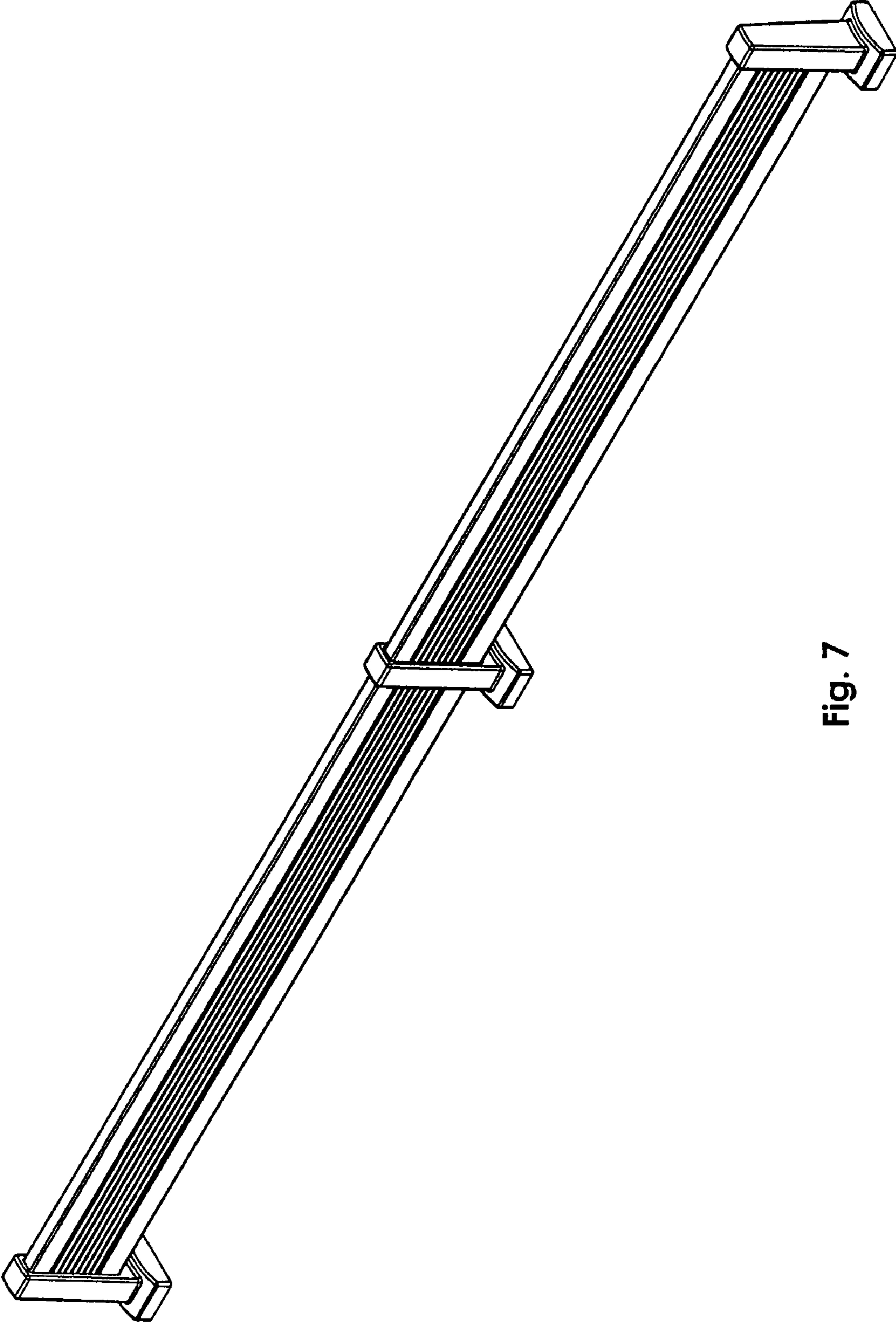


Fig. 7

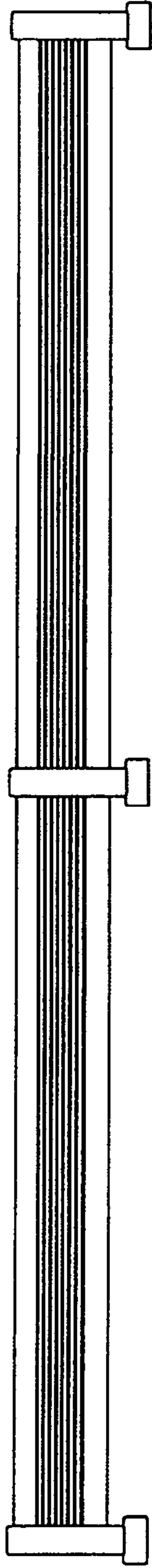


Fig. 8

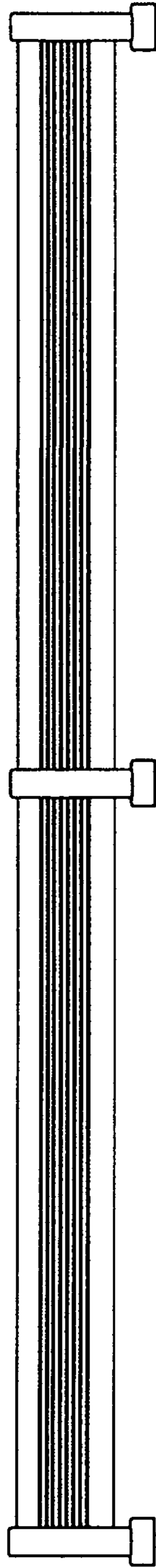


Fig. 9

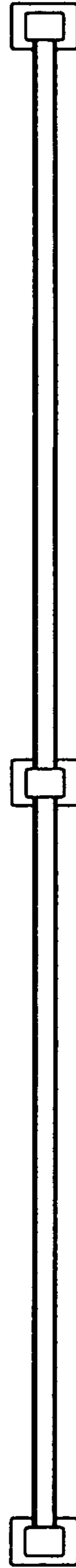


Fig. 10

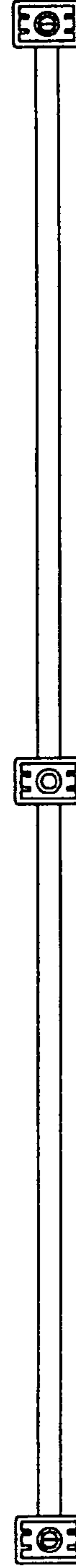


Fig. 11

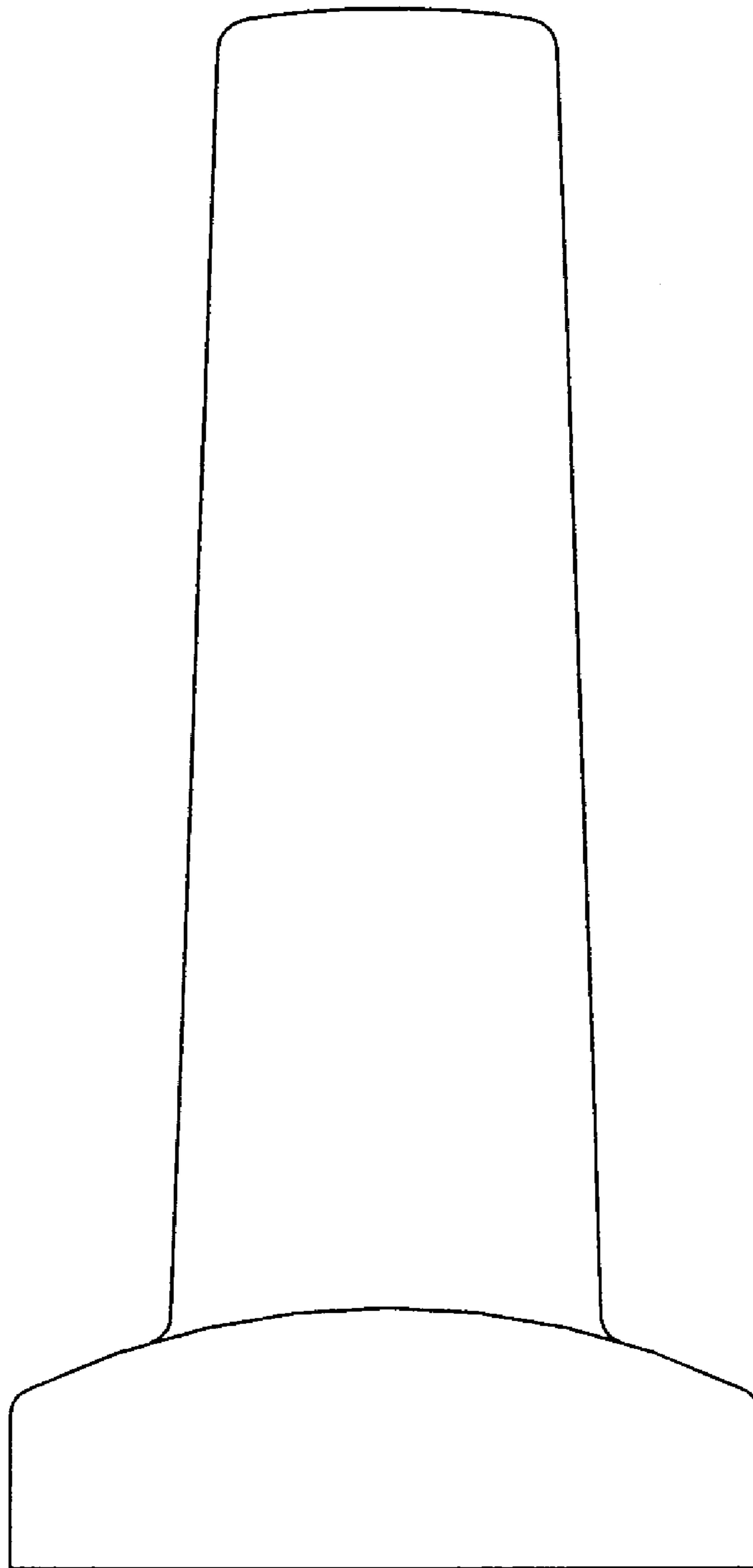


Fig. 12



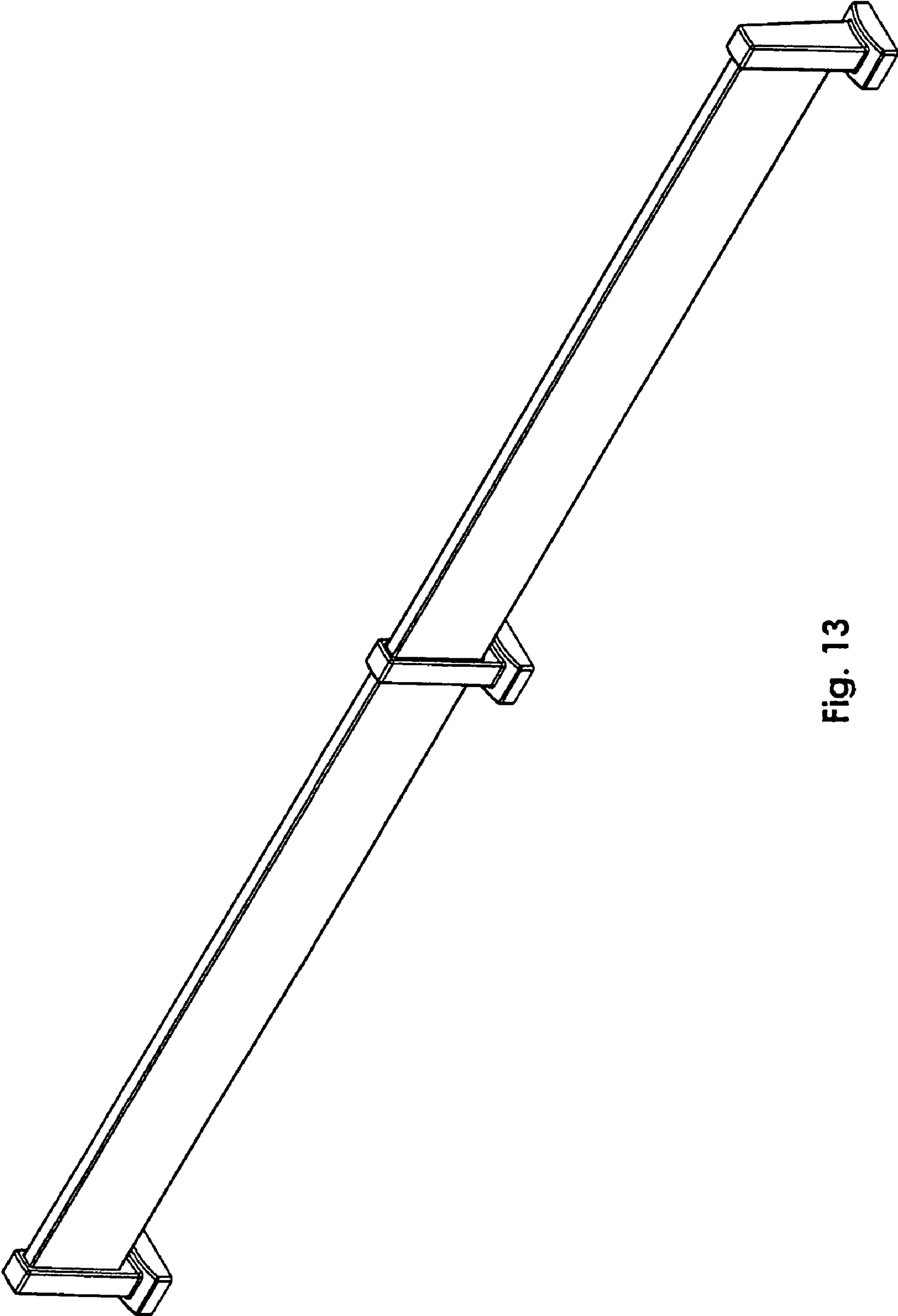


Fig. 13

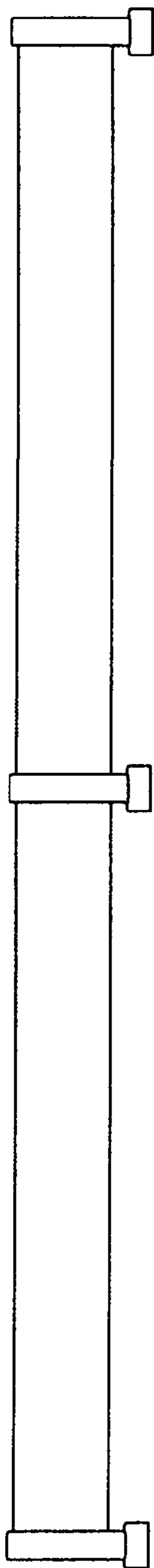


Fig. 14

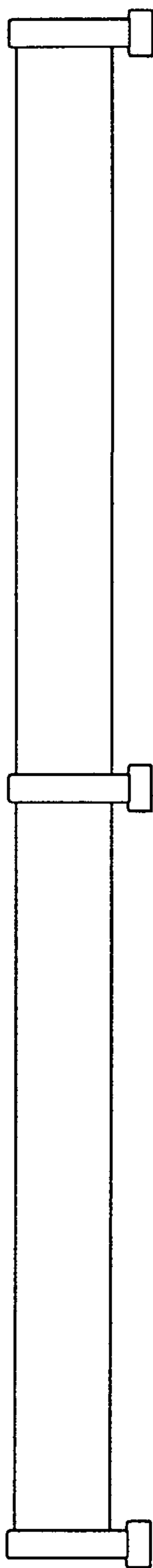


Fig. 15

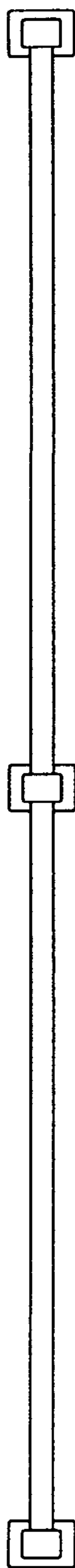


Fig. 16

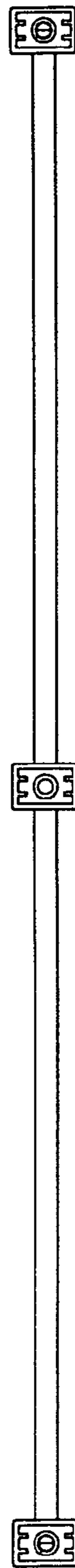


Fig. 17

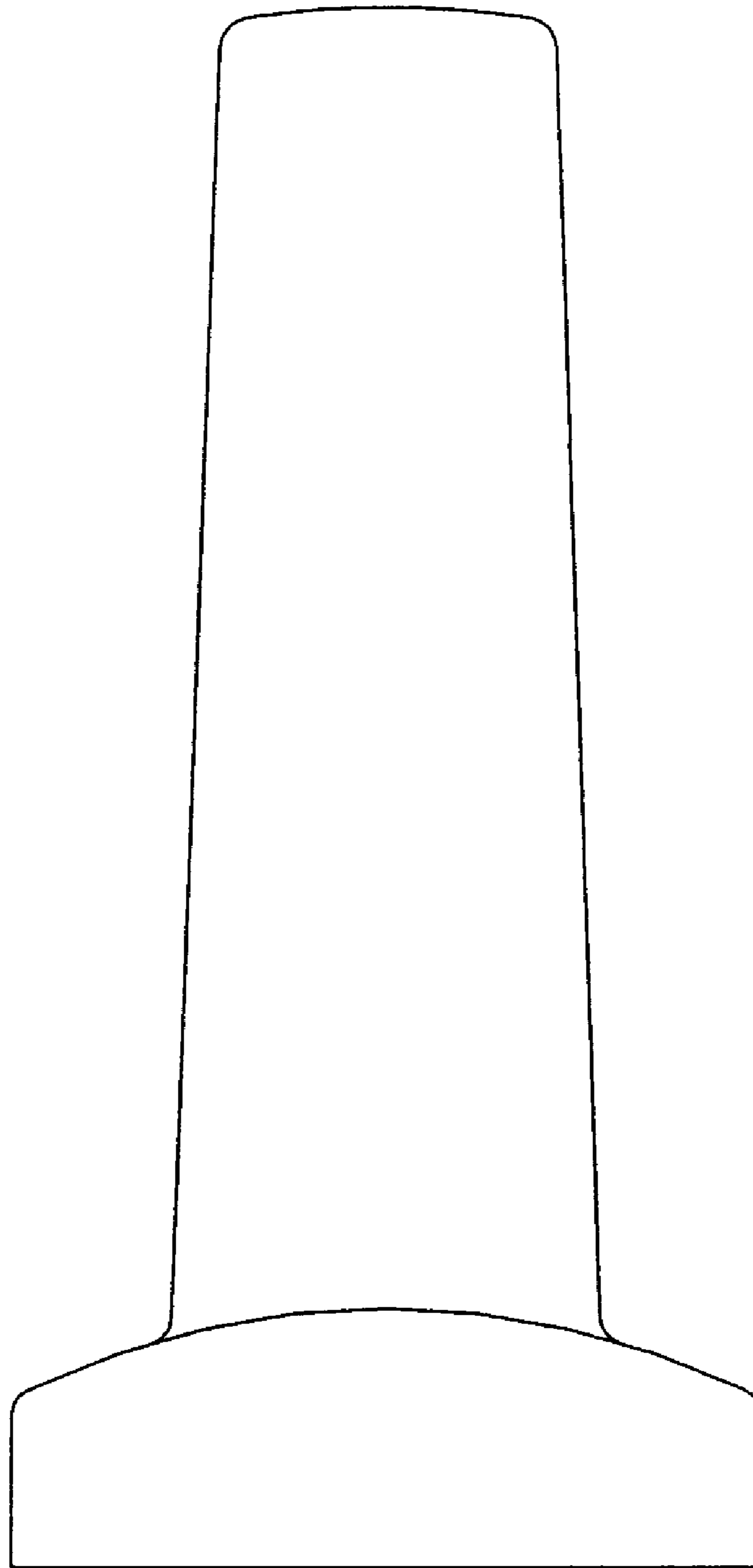


Fig. 18