



US00D659448S

(12) **United States Design Patent**
Myers et al.

(10) **Patent No.:** **US D659,448 S**
(45) **Date of Patent:** **** May 15, 2012**

(54) **REMOVABLE DRAWER FRONT PANEL FOR DISPLAY BIN**

(75) Inventors: **Gary L. Myers**, Monee, IL (US);
Michael A. Cohen, Buffalo Grove, IL (US);
John D. Veleris, Buffalo Grove, IL (US);
David Warmenhoven, Grandville, MI (US);
Jeffrey Ziomkowski, Grand Rapids, MI (US)

(73) Assignee: **Belwith Products, LLC**, Grandville, MI (US)

(**) Term: **14 Years**

(21) Appl. No.: **29/381,707**

(22) Filed: **Dec. 22, 2010**

(51) **LOC (9) Cl.** **06-04**

(52) **U.S. Cl.** **D6/510**

(58) **Field of Classification Search** D6/397,
D6/420-440, 445-448, 460-468, 474-479,
D6/495; 312/194, 198, 204, 213, 330.1,
312/333, 348.1-348.4; 403/12

See application file for complete search history.

(56) **References Cited**

U.S. PATENT DOCUMENTS

3,024,075	A	3/1962	Howe
3,933,402	A	1/1976	Peterson
4,815,796	A	3/1989	Röck et al.
4,815,798	A	3/1989	Röck et al.
4,902,080	A	2/1990	Berger

4,995,683	A *	2/1991	Albiez	312/348.4
5,076,723	A	12/1991	Berger		
5,161,870	A *	11/1992	Mason et al.	312/348.4
5,281,022	A *	1/1994	Rock	312/348.4
5,348,386	A *	9/1994	Grass	312/348.2
5,375,923	A	12/1994	Hall et al.		
5,505,554	A *	4/1996	Lautenschlager Horst et al.	403/12
5,618,091	A *	4/1997	Huber et al.	312/348.1
5,690,405	A *	11/1997	Huber	312/348.2
5,951,133	A	9/1999	Dittberner et al.		
6,050,661	A *	4/2000	Fleisch	312/348.1
6,179,399	B1 *	1/2001	Brustle et al.	312/348.4
6,286,919	B1 *	9/2001	Fleisch	312/348.4
6,948,788	B1	9/2005	Tai		
7,540,577	B2 *	6/2009	Netzer	312/348.4
2004/0000849	A1 *	1/2004	Lam Harn et al.	312/330.1
2008/0061665	A1 *	3/2008	Lautenschlager	312/333

* cited by examiner

Primary Examiner — Ricky Pham

(74) Attorney, Agent, or Firm — Leydig, Voit & Mayer, Ltd.

(57) **CLAIM**

The ornamental design for a removable drawer front panel for display bin, as shown and described.

DESCRIPTION

FIG. 1 is a rear side perspective view of a removable drawer front panel embodying our new design; and, FIG. 2 is a rear elevational view thereof. The broken line representations are for purposes of illustration only and form no part of the claimed design.

1 Claim, 2 Drawing Sheets

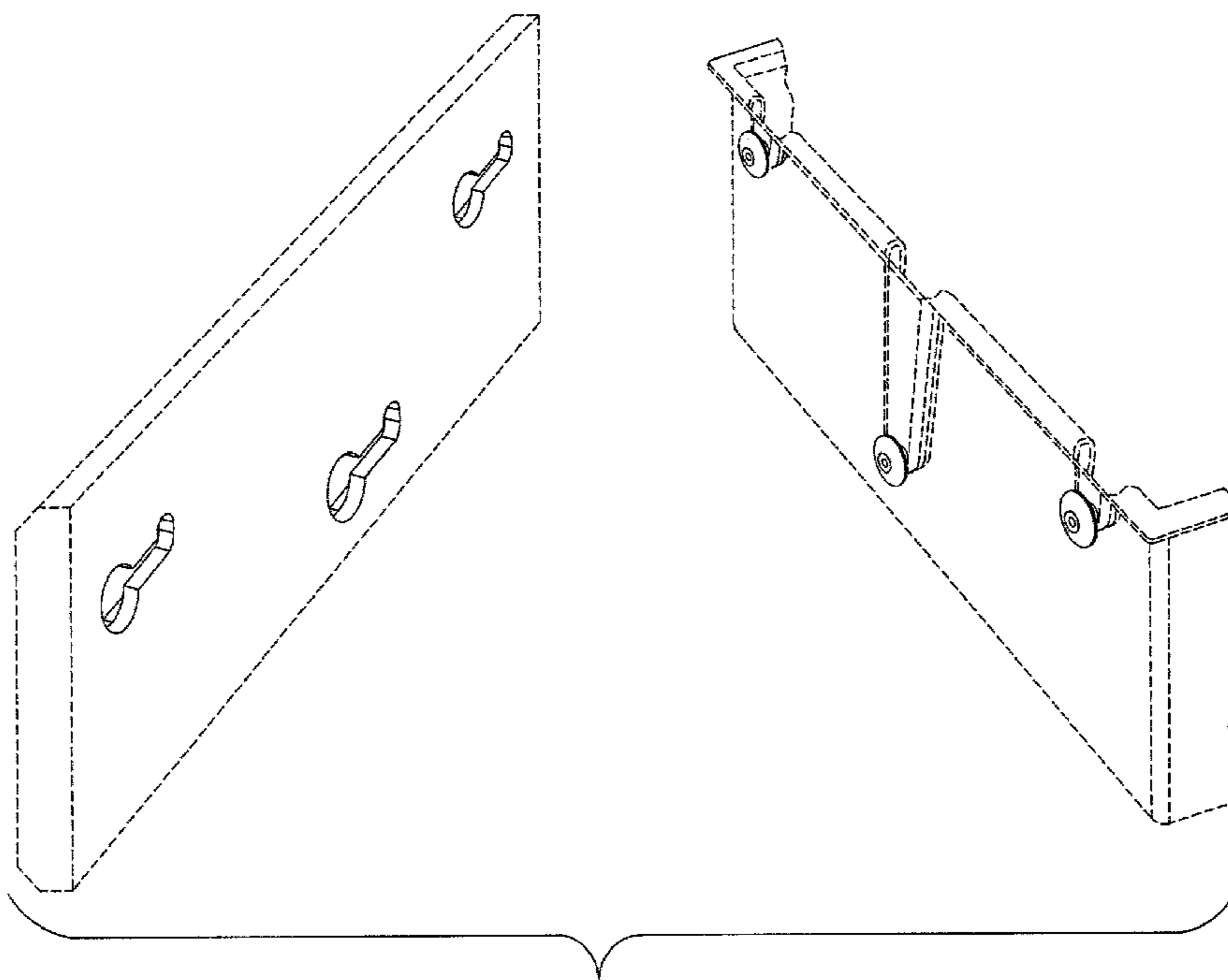


FIG. 1

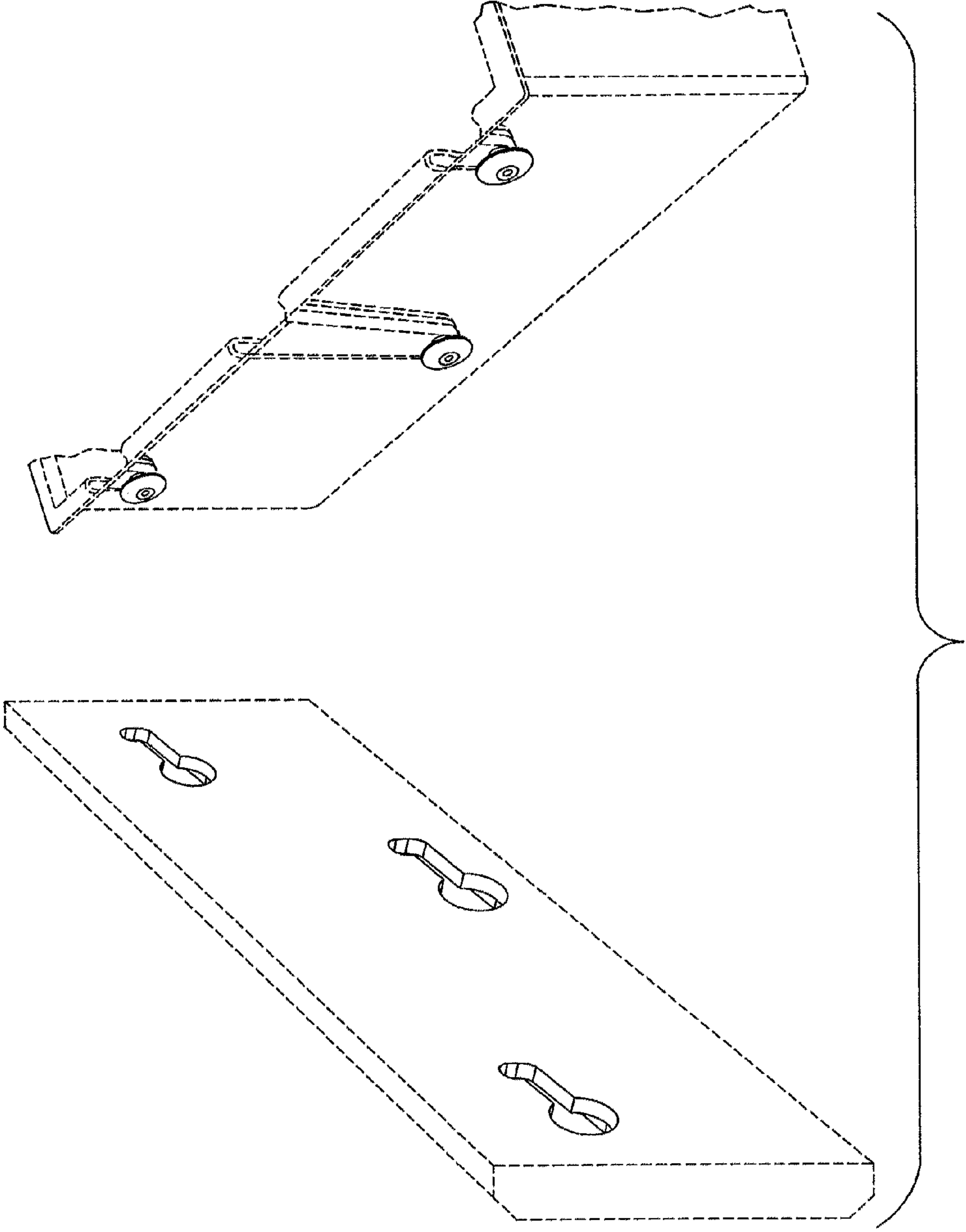


FIG. 2

