



US00D659445S

(12) **United States Design Patent**  
**Pheasant**

(10) **Patent No.:** **US D659,445 S**

(45) **Date of Patent:** **\*\* May 15, 2012**

(54) **CHAIR BACK**

(75) Inventor: **Thomas Pheasant**, Washington, DC (US)

(73) Assignee: **Baker, Knapp & Tubbs, Inc.**, Hickory, NC (US)

(\*\*) Term: **14 Years**

(21) Appl. No.: **29/337,103**

(22) Filed: **May 14, 2009**

(51) **LOC (9) Cl.** ..... **06-01**

(52) **U.S. Cl.** ..... **D6/502**

(58) **Field of Classification Search** ..... D6/334-335,  
D6/349, 374, 377, 379-380, 500-502; 297/183.7,  
297/338, 445.1, 446.1, 452.29

See application file for complete search history.

(56) **References Cited**

U.S. PATENT DOCUMENTS

D259,841 S *	7/1981	Mioni	.....	D6/380
D351,294 S *	10/1994	Fleishman	.....	D6/380
D367,370 S *	2/1996	Berry et al.	.....	D6/374
D380,308 S	7/1997	Diaz-Azcuy		
D380,310 S	7/1997	Diaz-Azcuy		
D386,912 S	12/1997	Diaz-Azcuy		
D390,031 S	2/1998	Diaz-Azcuy		
D427,795 S	7/2000	Tihany		
D430,409 S *	9/2000	Lewis	.....	D5/62
D461,065 S	8/2002	Diaz-Azcuy		
D461,969 S	8/2002	Diaz-Azcuy		
D470,320 S *	2/2003	Schloss	.....	D6/375
D487,991 S *	4/2004	O'Hare	.....	D6/379
D488,632 S *	4/2004	Muller	.....	D6/380
D489,193 S *	5/2004	Muller	.....	D6/380
D494,375 S *	8/2004	Starck	.....	D6/374
D497,729 S *	11/2004	Peitz et al.	.....	D6/379
D505,034 S *	5/2005	Barry	.....	D6/502
D543,715 S *	6/2007	Muller	.....	D6/360
D543,718 S *	6/2007	Muller	.....	D6/380
D544,236 S *	6/2007	Swy et al.	.....	D6/380
D609,036 S *	2/2010	Miller et al.	.....	D6/500
D610,379 S *	2/2010	Muller	.....	D6/502
D645,680 S *	9/2011	Gilbert	.....	D6/500
D647,739 S *	11/2011	Gasser	.....	D6/502

\* cited by examiner

*Primary Examiner* — Elizabeth A. Albert

*Assistant Examiner* — Kelley Donnelly

(74) *Attorney, Agent, or Firm* — Merchant & Gould PC

(57) **CLAIM**

The ornamental design for a chair back, as shown and described.

**DESCRIPTION**

FIG. 1 is a front perspective view of a first embodiment of a chair back showing my new design;  
 FIG. 2 is a rear perspective view thereof;  
 FIG. 3 is a front elevational view thereof;  
 FIG. 4 is a rear elevational view thereof;  
 FIG. 5 is a right side elevational view thereof, a left side elevational view being a mirror image thereof;  
 FIG. 6 is a top plan view thereof;  
 FIG. 7 is a front perspective view of a second embodiment of a chair back showing my new design;  
 FIG. 8 is a rear perspective view thereof;  
 FIG. 9 is a front elevational view thereof;  
 FIG. 10 is a rear elevational view thereof;  
 FIG. 11 is a right side elevational view thereof, a left side elevational view being a mirror image thereof;  
 FIG. 12 is a top plan view thereof;  
 FIG. 13 is a front elevational view of a third embodiment of a chair back showing my new design;  
 FIG. 14 is a rear elevational view thereof;  
 FIG. 15 is a right side elevational view thereof, a left side elevational view being a mirror image thereof;  
 FIG. 16 is a top plan view thereof;  
 FIG. 17 is a front perspective view of a fourth embodiment of a chair back showing my new design;  
 FIG. 18 is a rear perspective view thereof;  
 FIG. 19 is a front elevational view thereof;  
 FIG. 20 is a rear elevational view thereof;  
 FIG. 21 is a right side elevational view thereof, a left side elevational view being a mirror image thereof; and,  
 FIG. 22 is a top plan view thereof.

The broken lines showing is included for the purpose of illustrating environment of the design and forms no part of the claimed design.

**1 Claim, 22 Drawing Sheets**

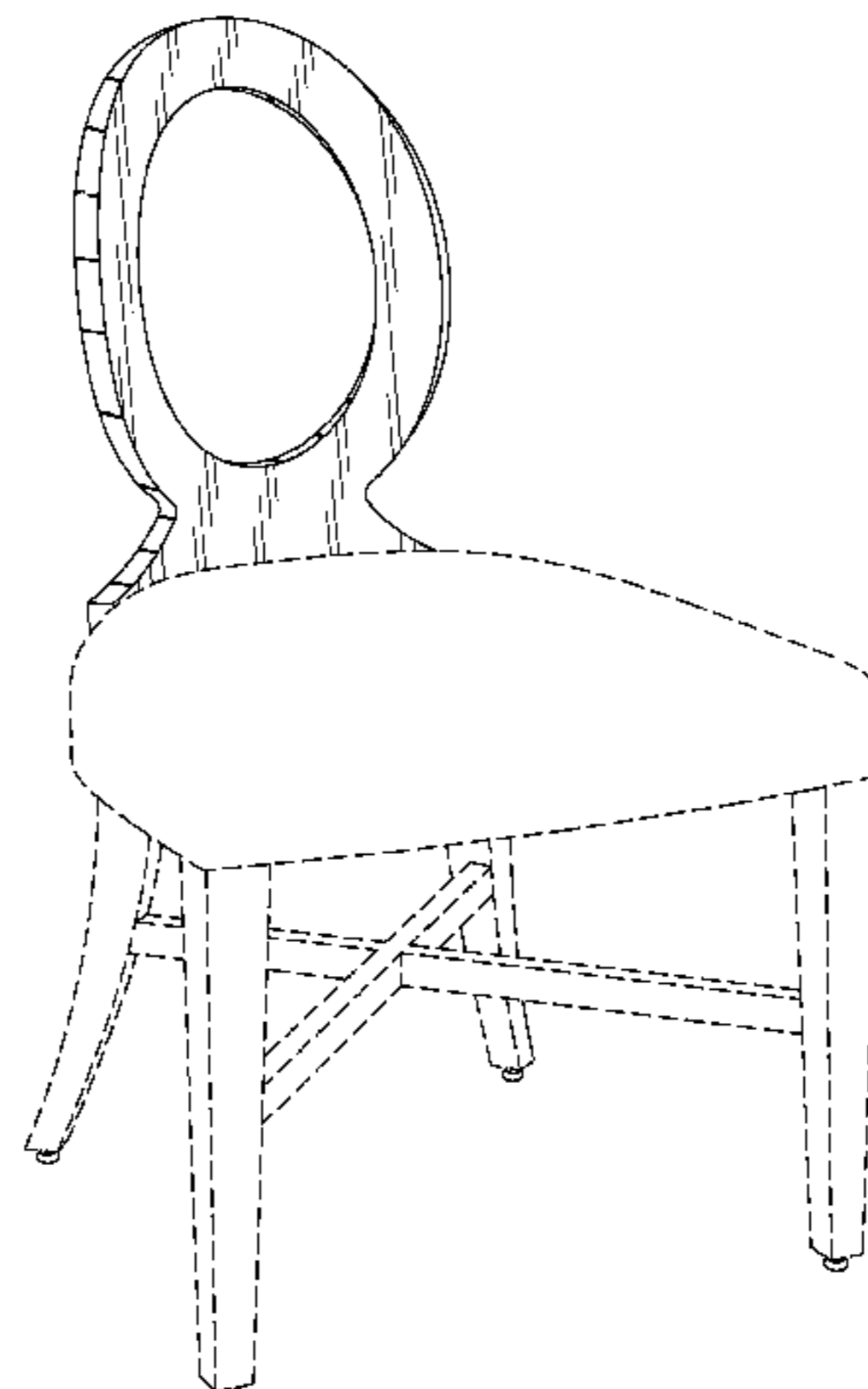


FIG. 1

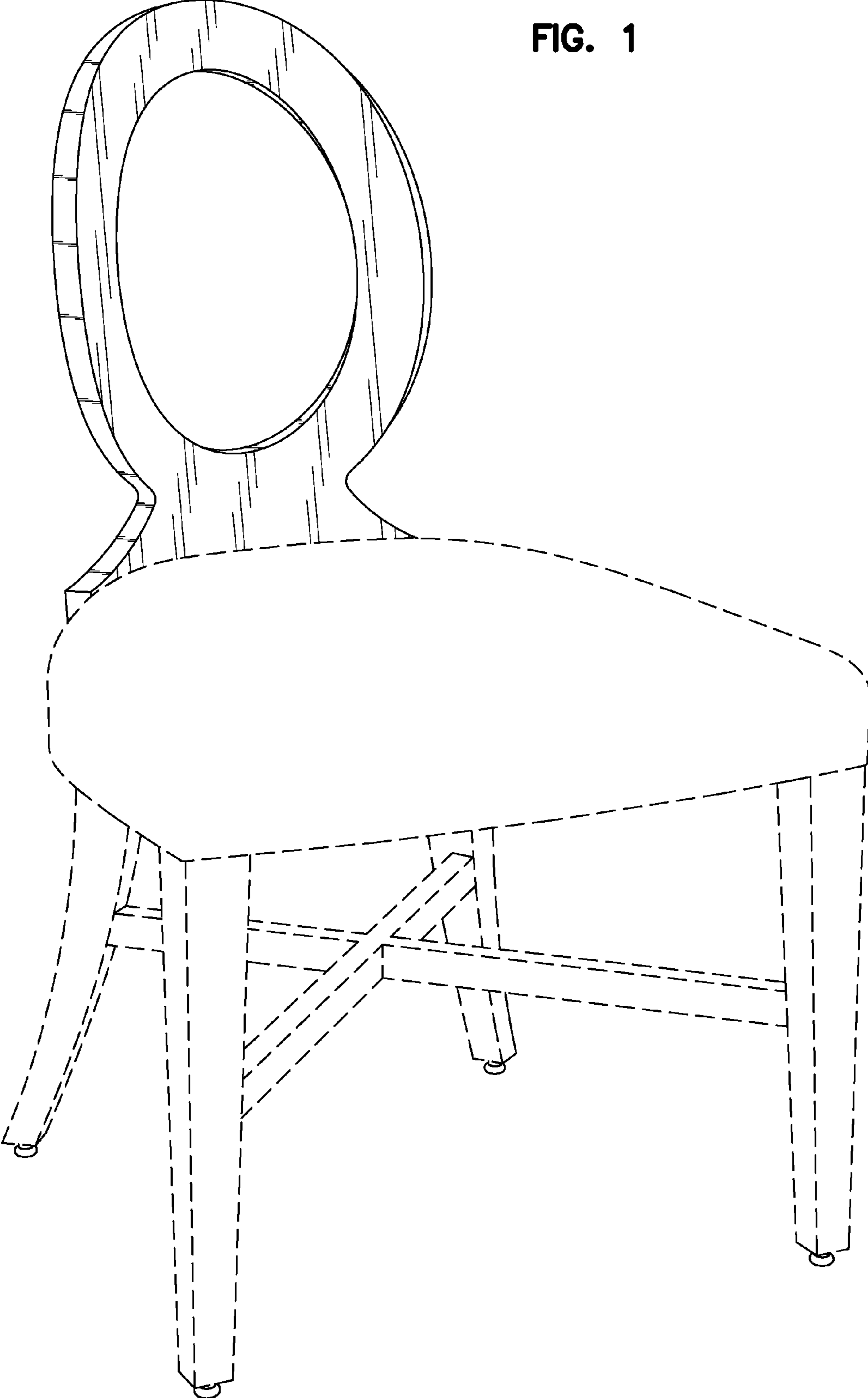


FIG. 2

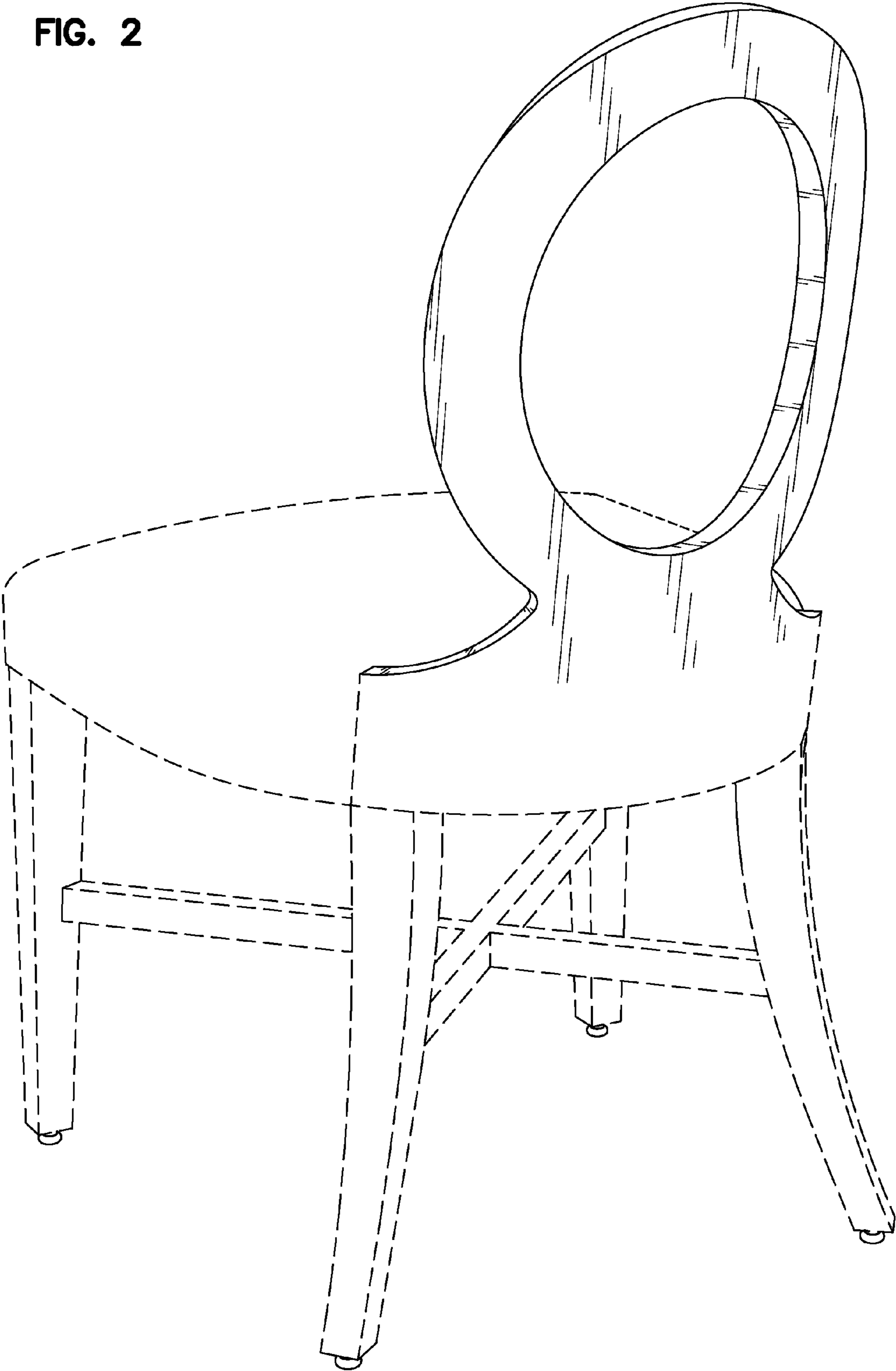


FIG. 3

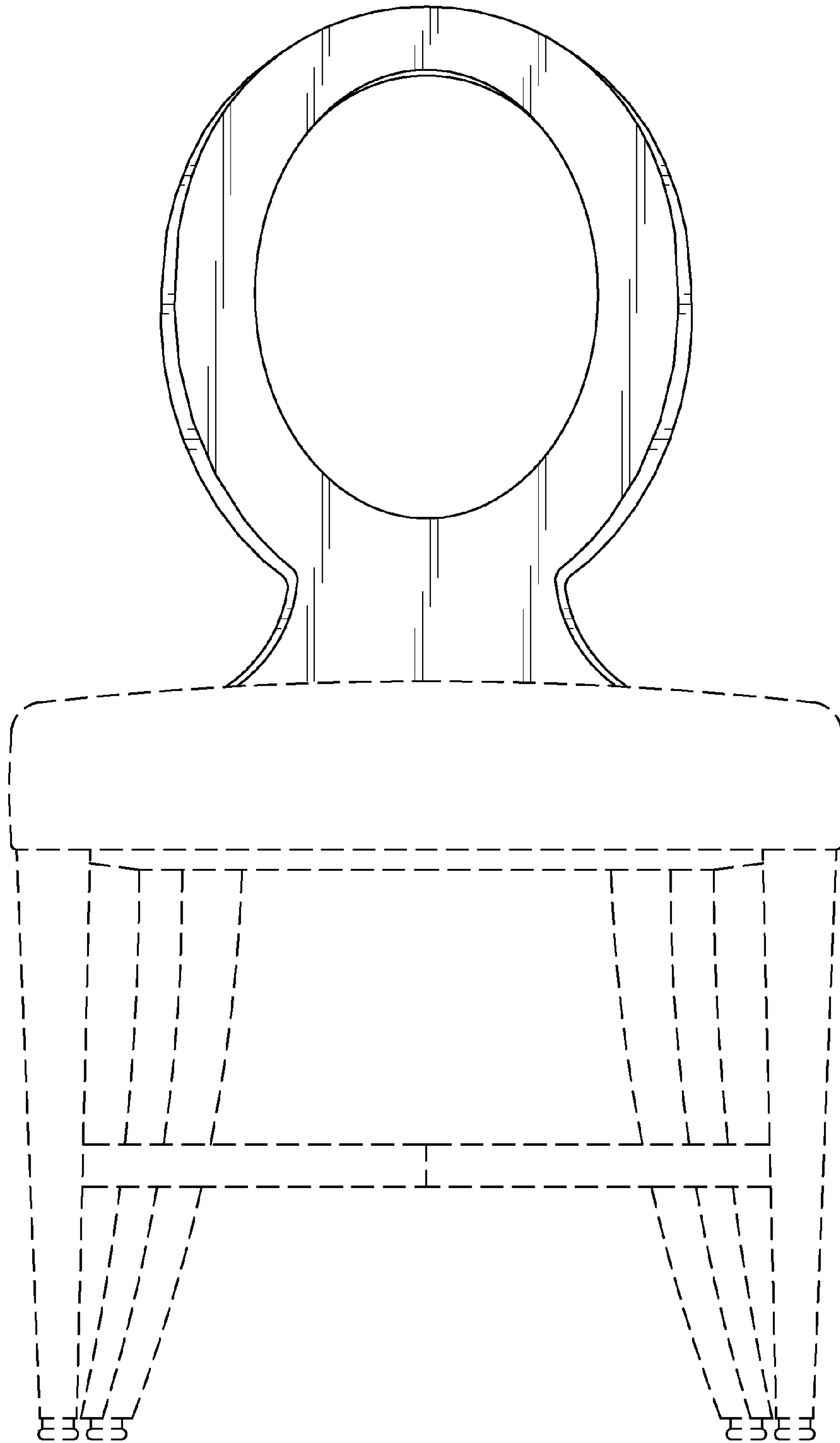


FIG. 4

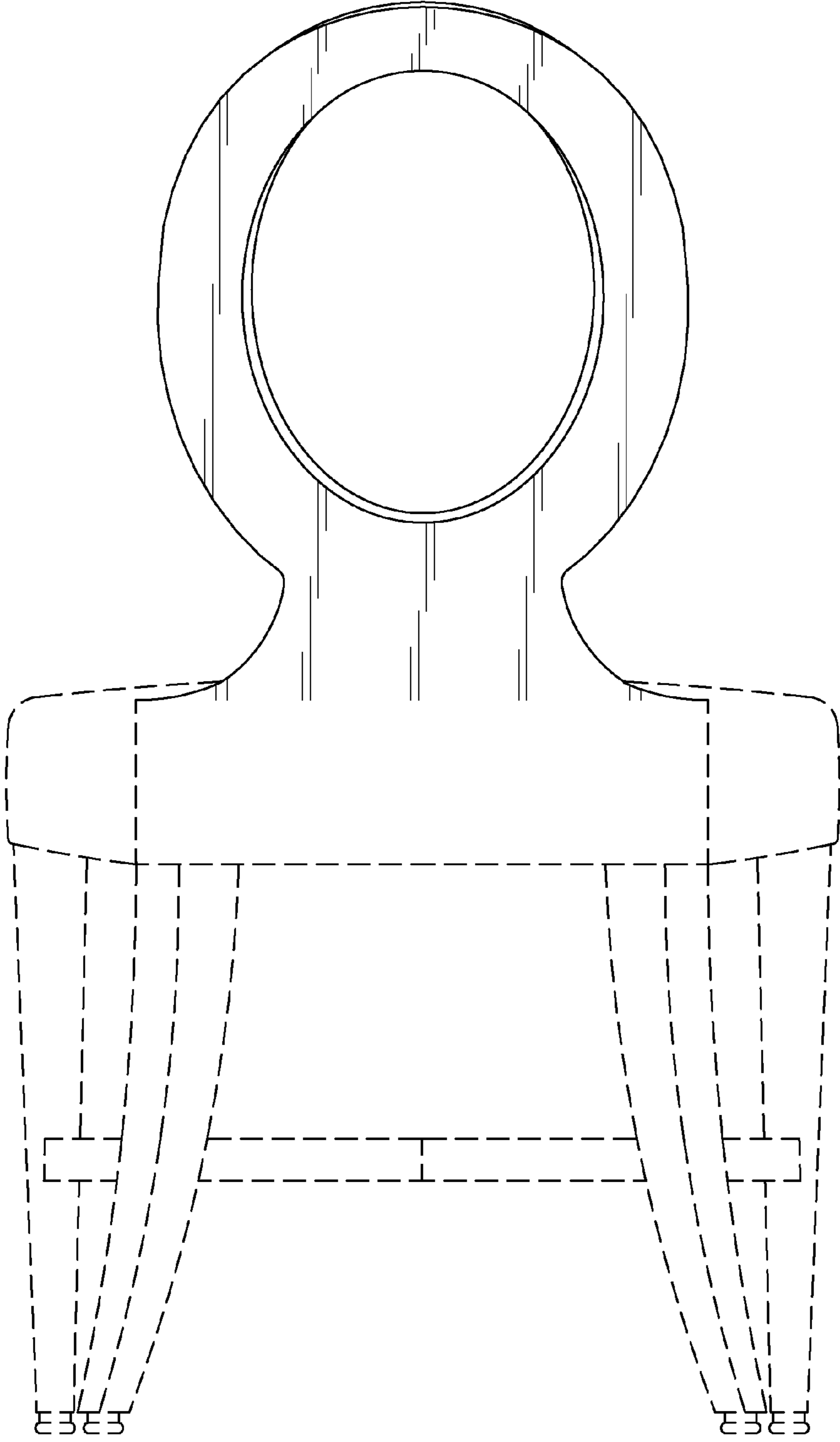


FIG. 5

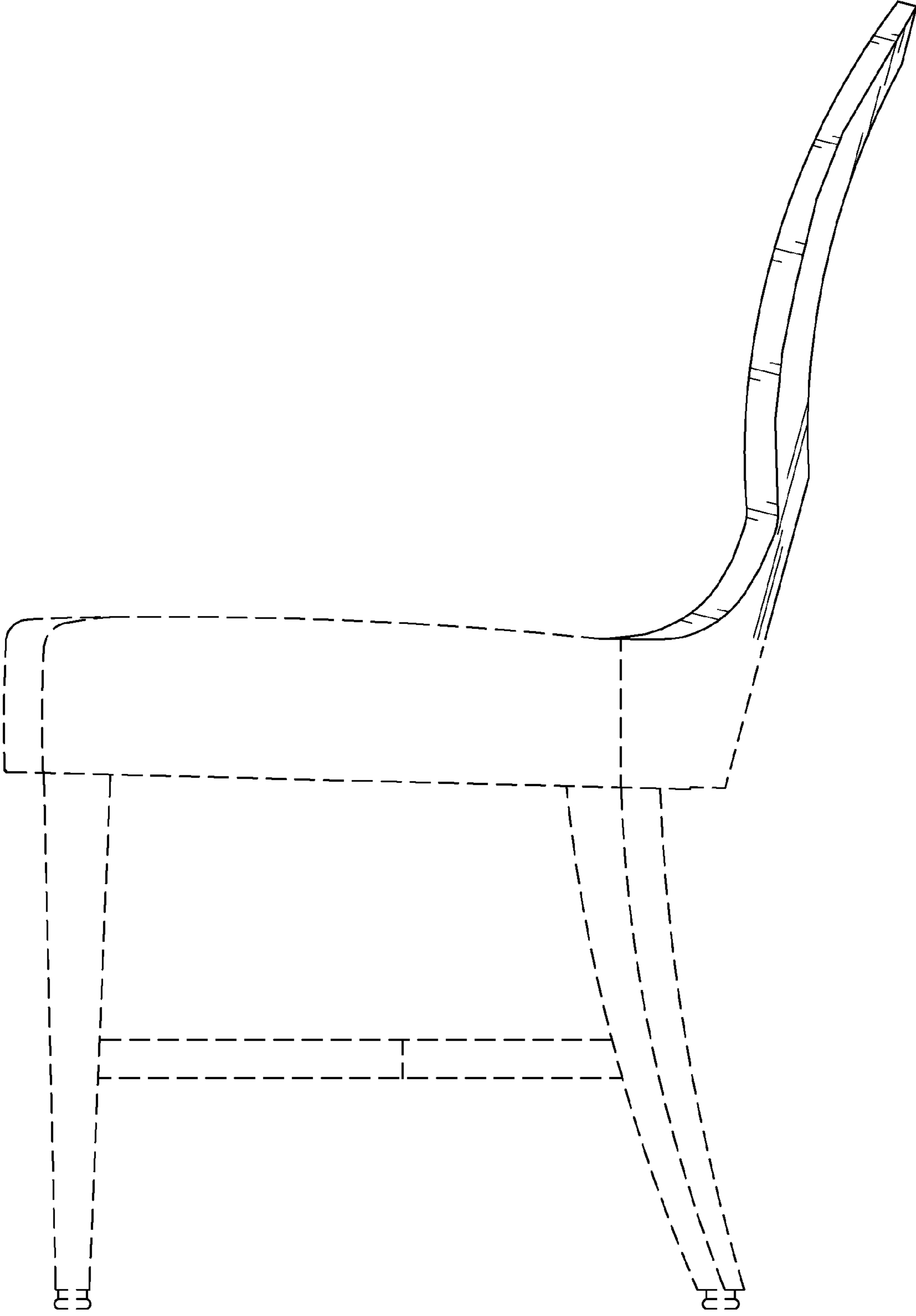


FIG. 6

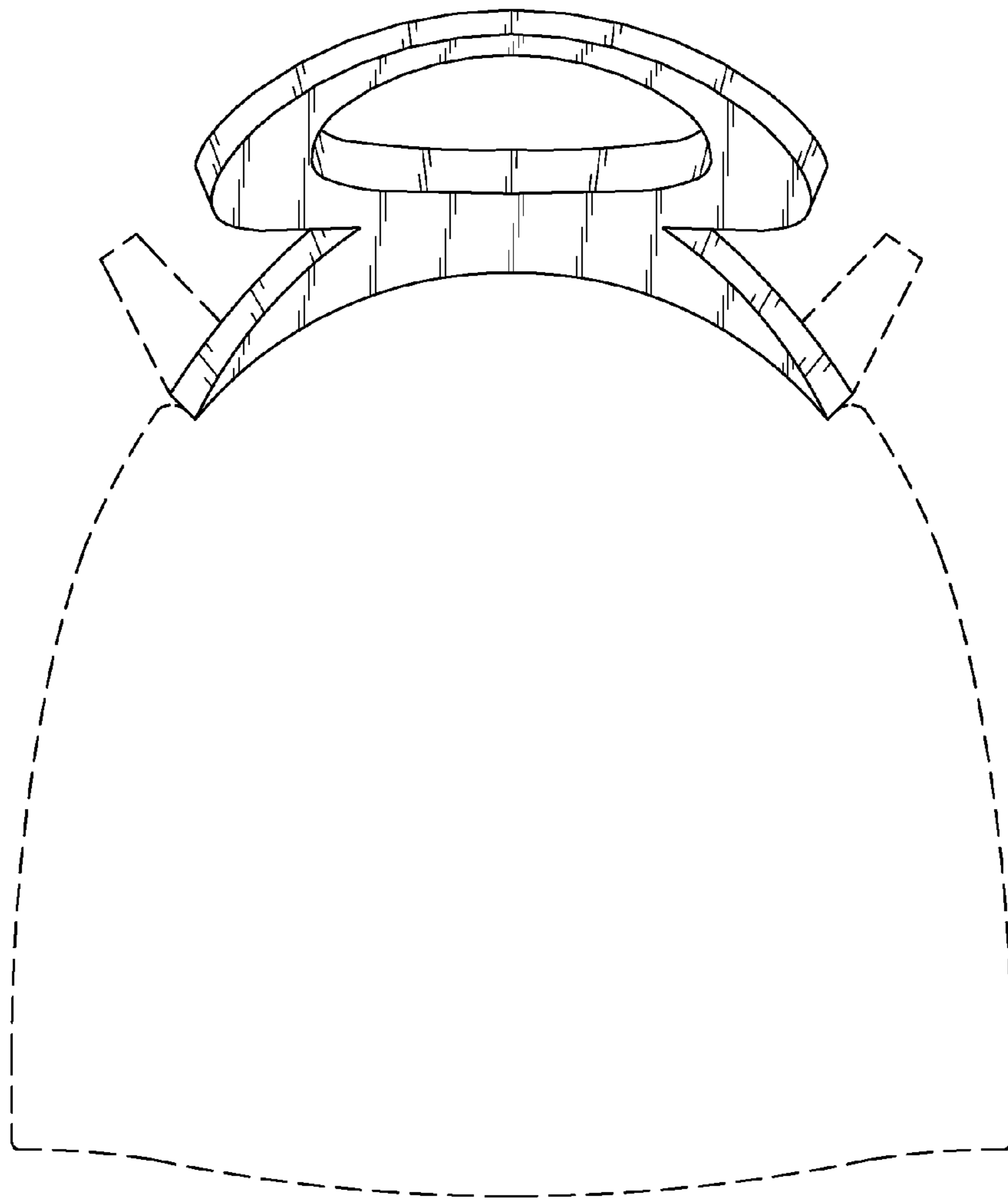




FIG. 7

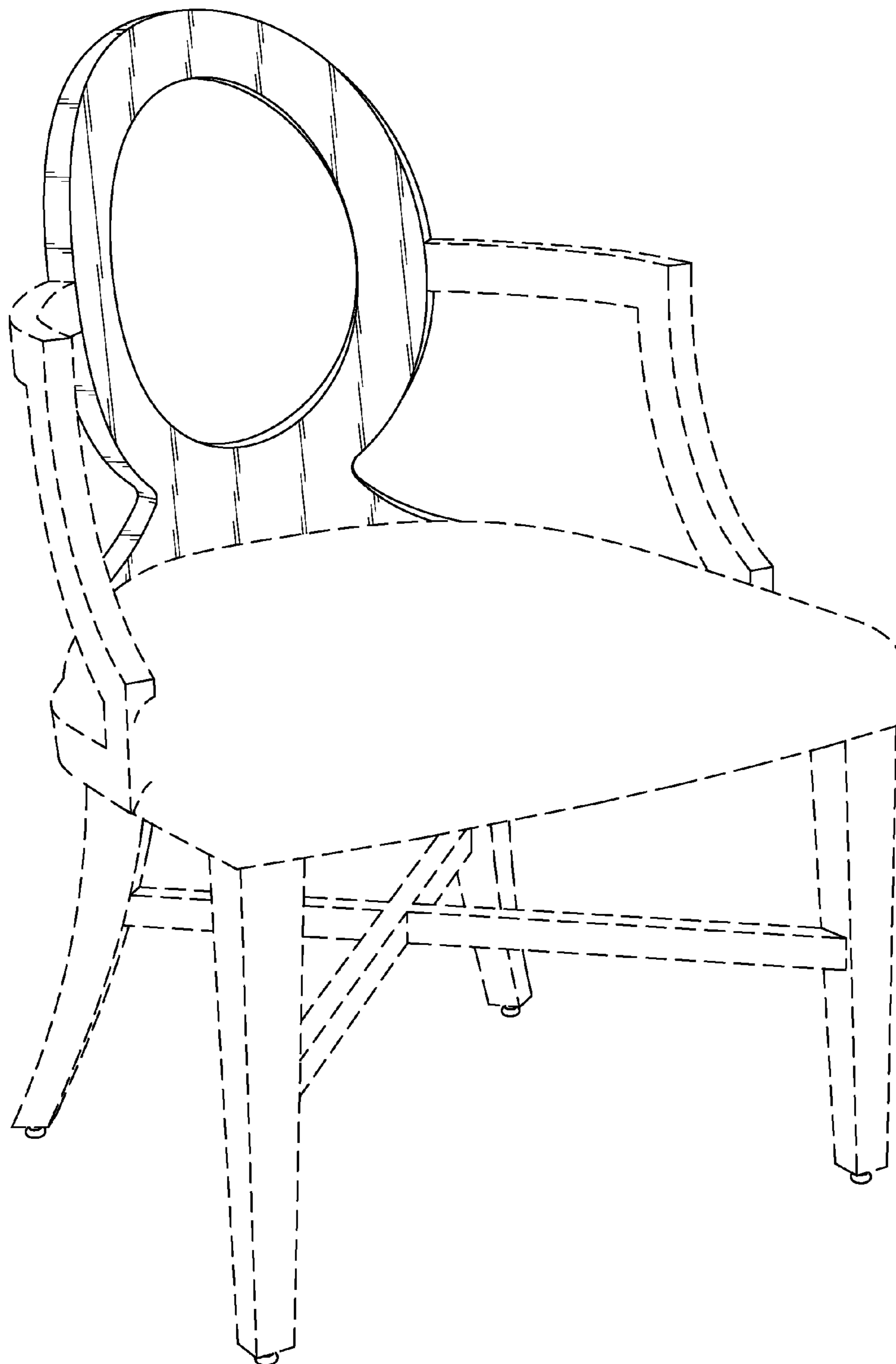




FIG. 8

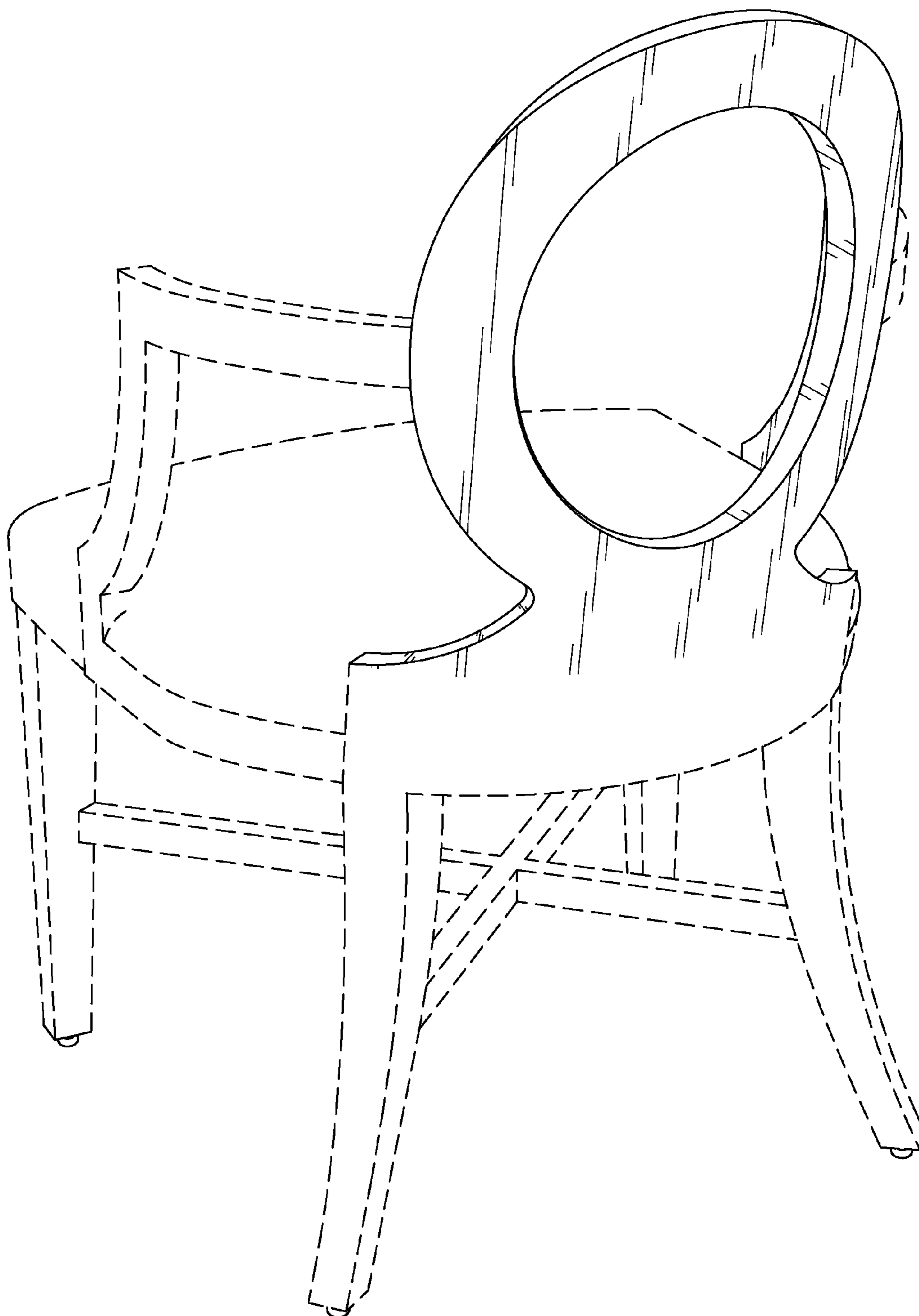


FIG. 9

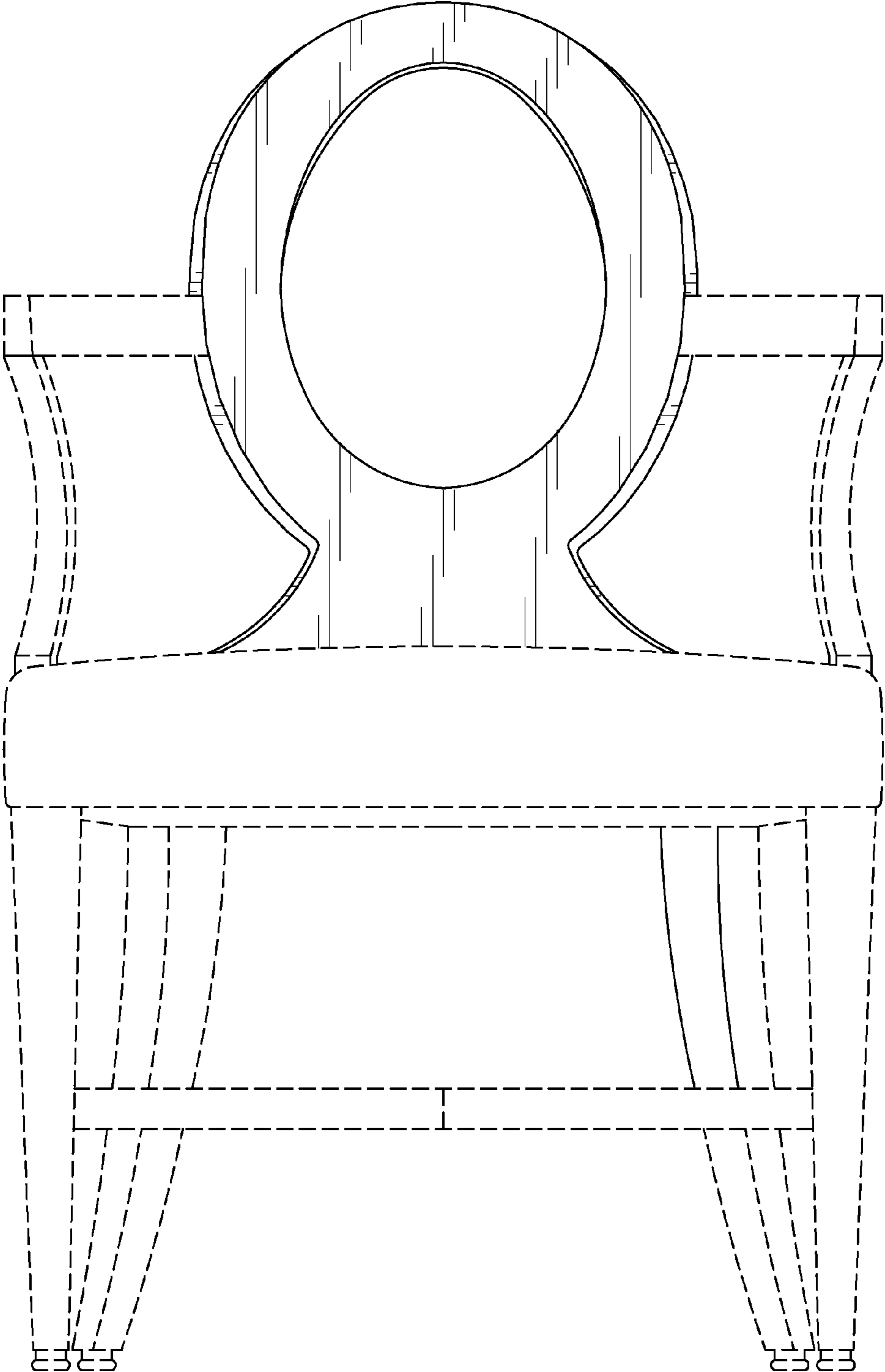


FIG. 10

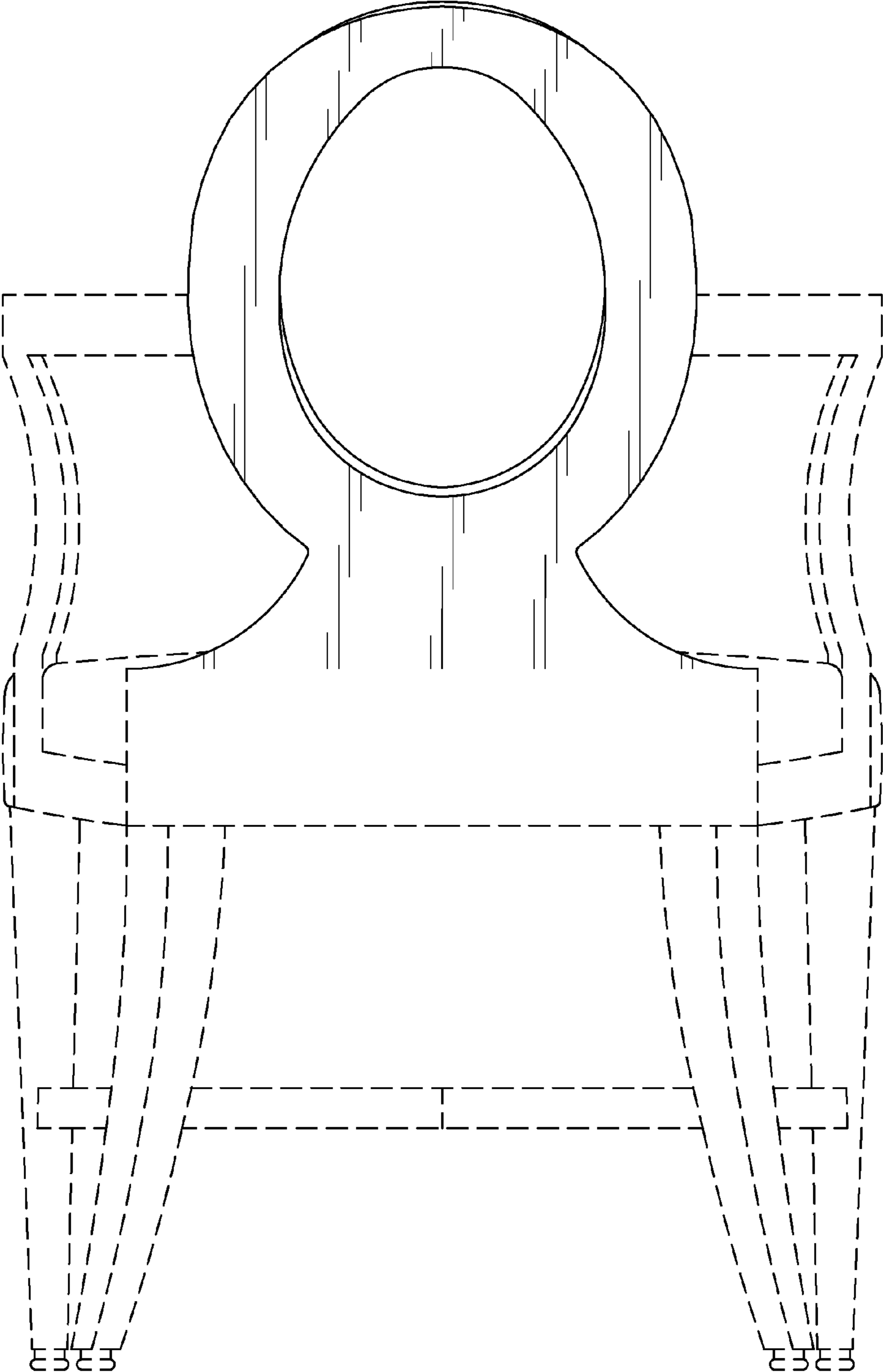


FIG. 11

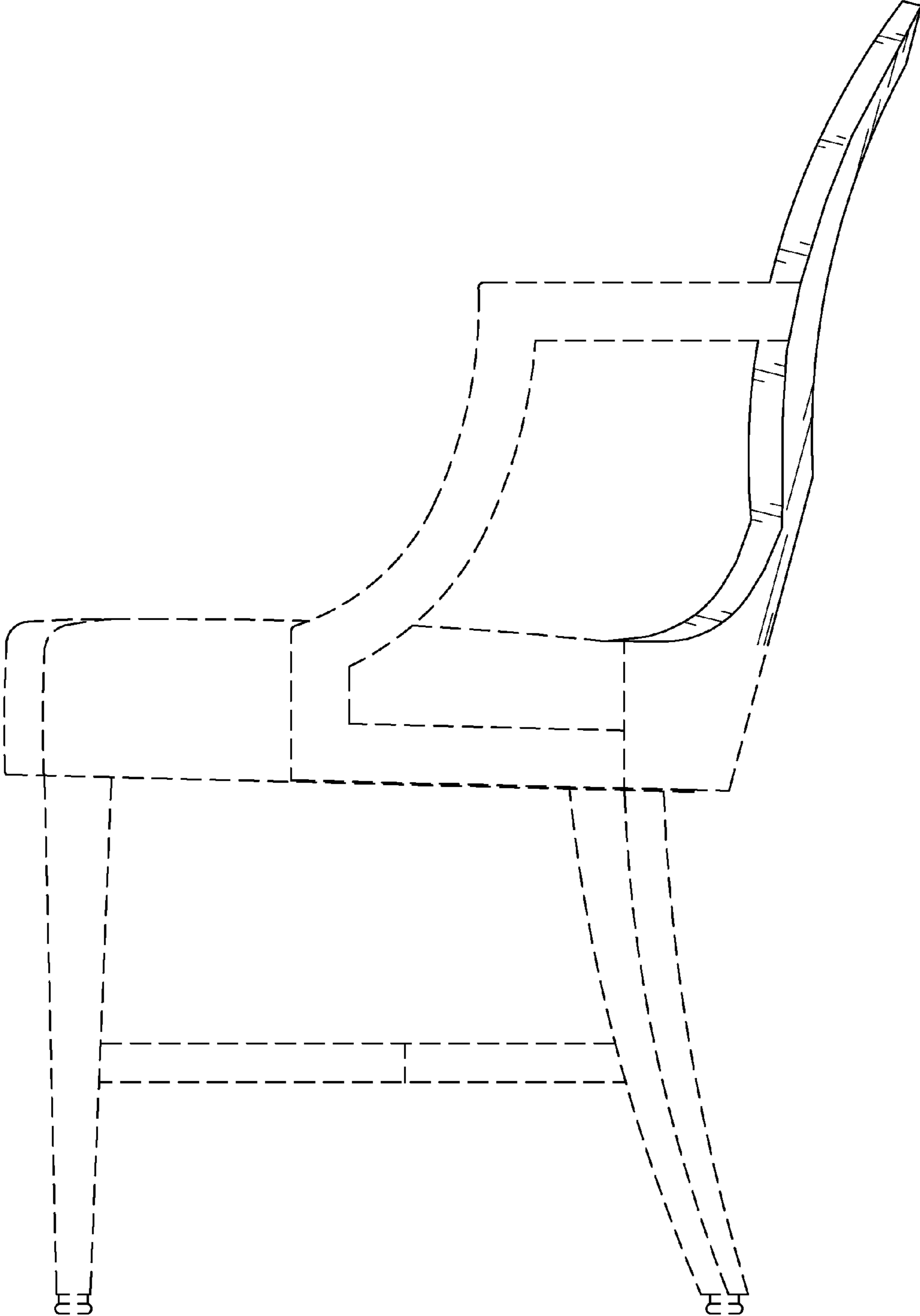


FIG. 12

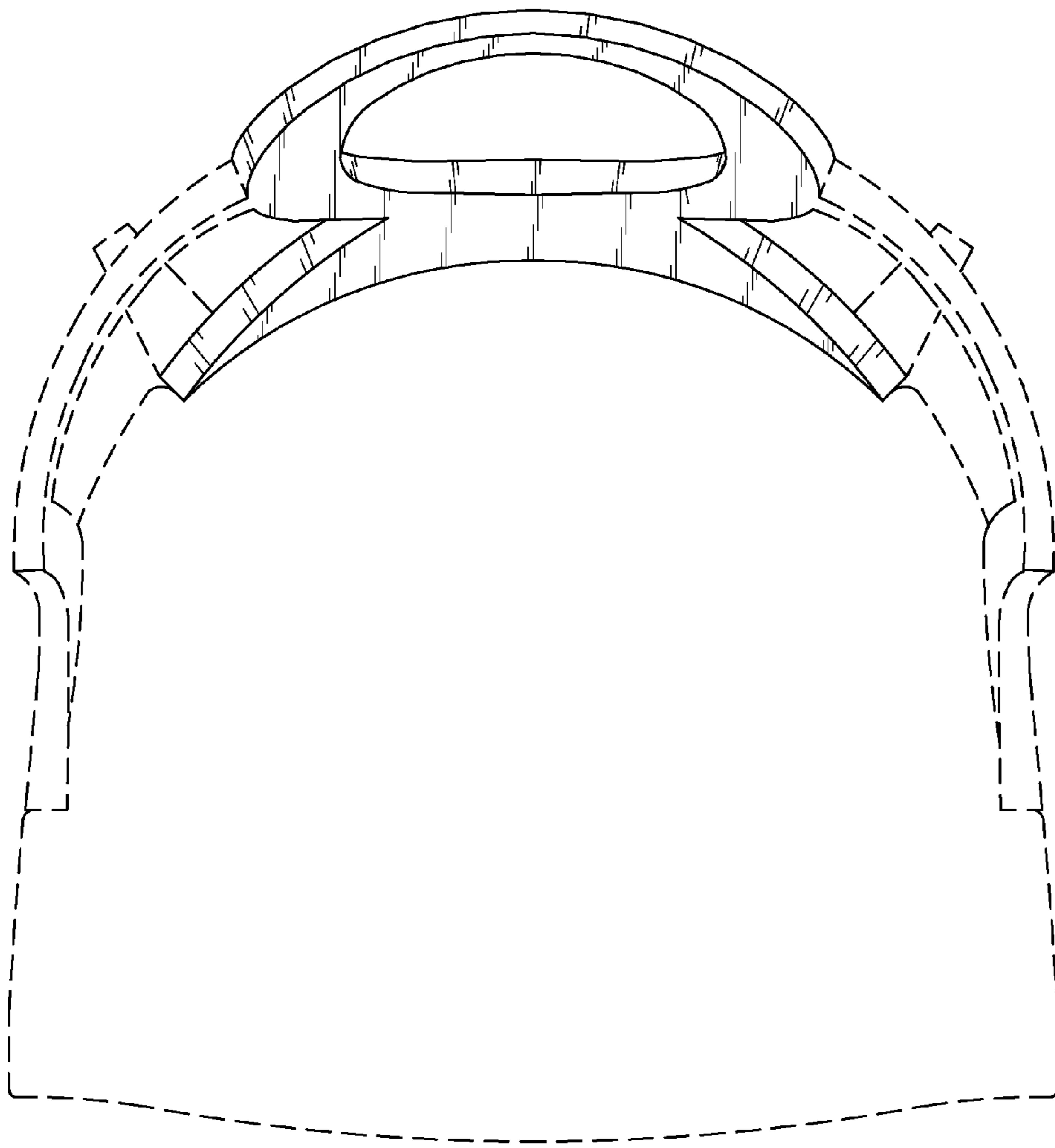


FIG. 13

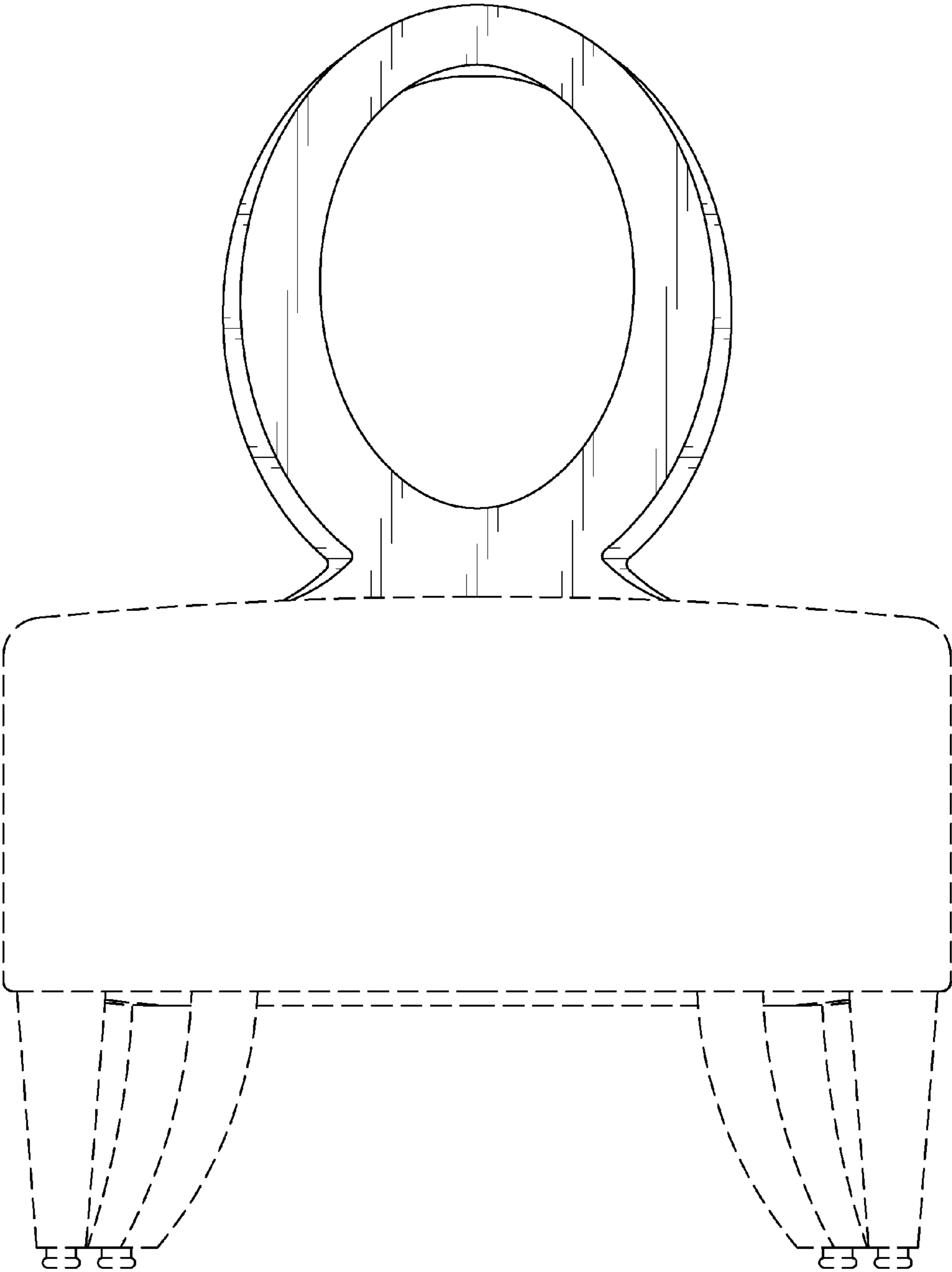


FIG. 14

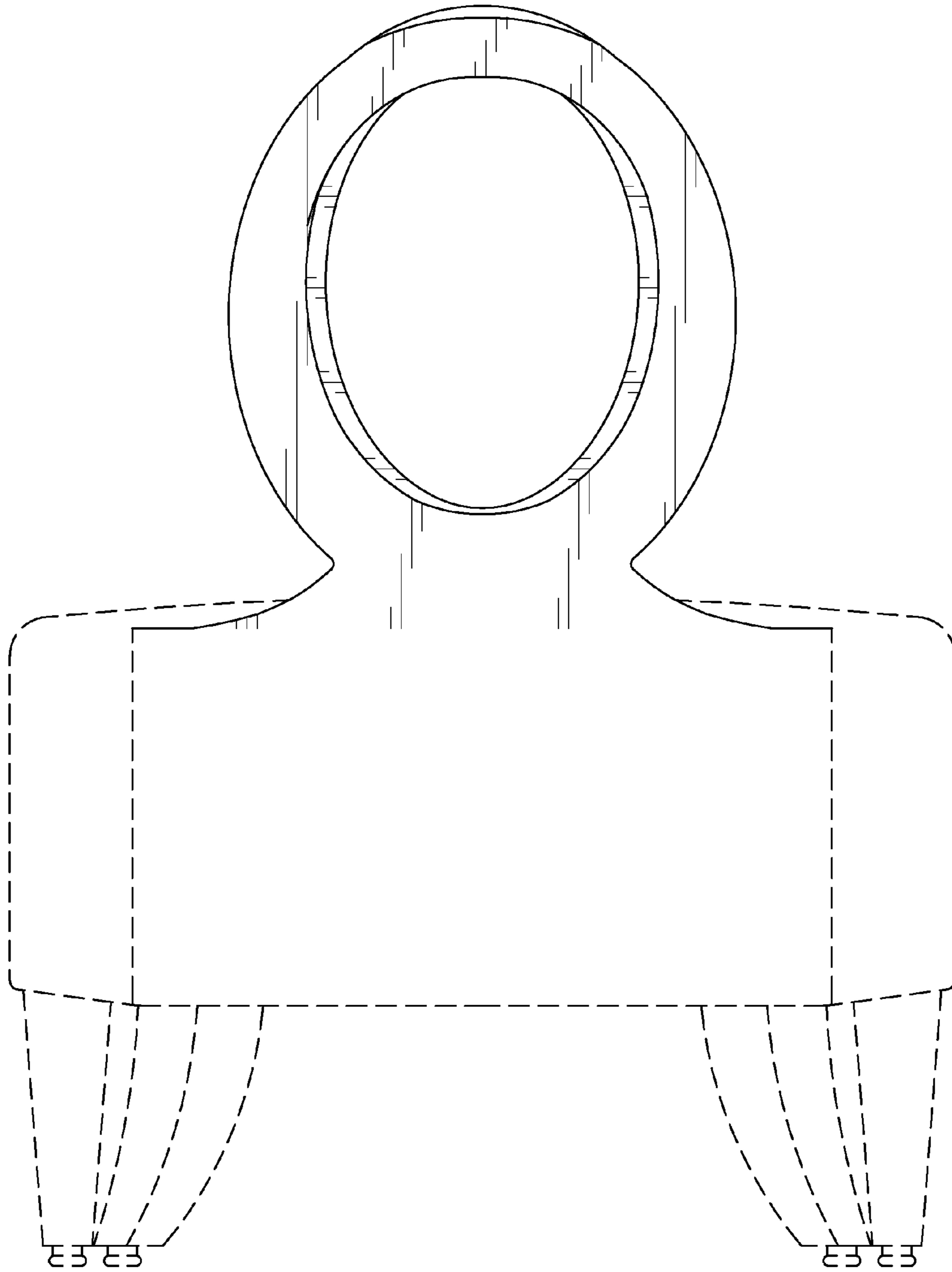




FIG. 15

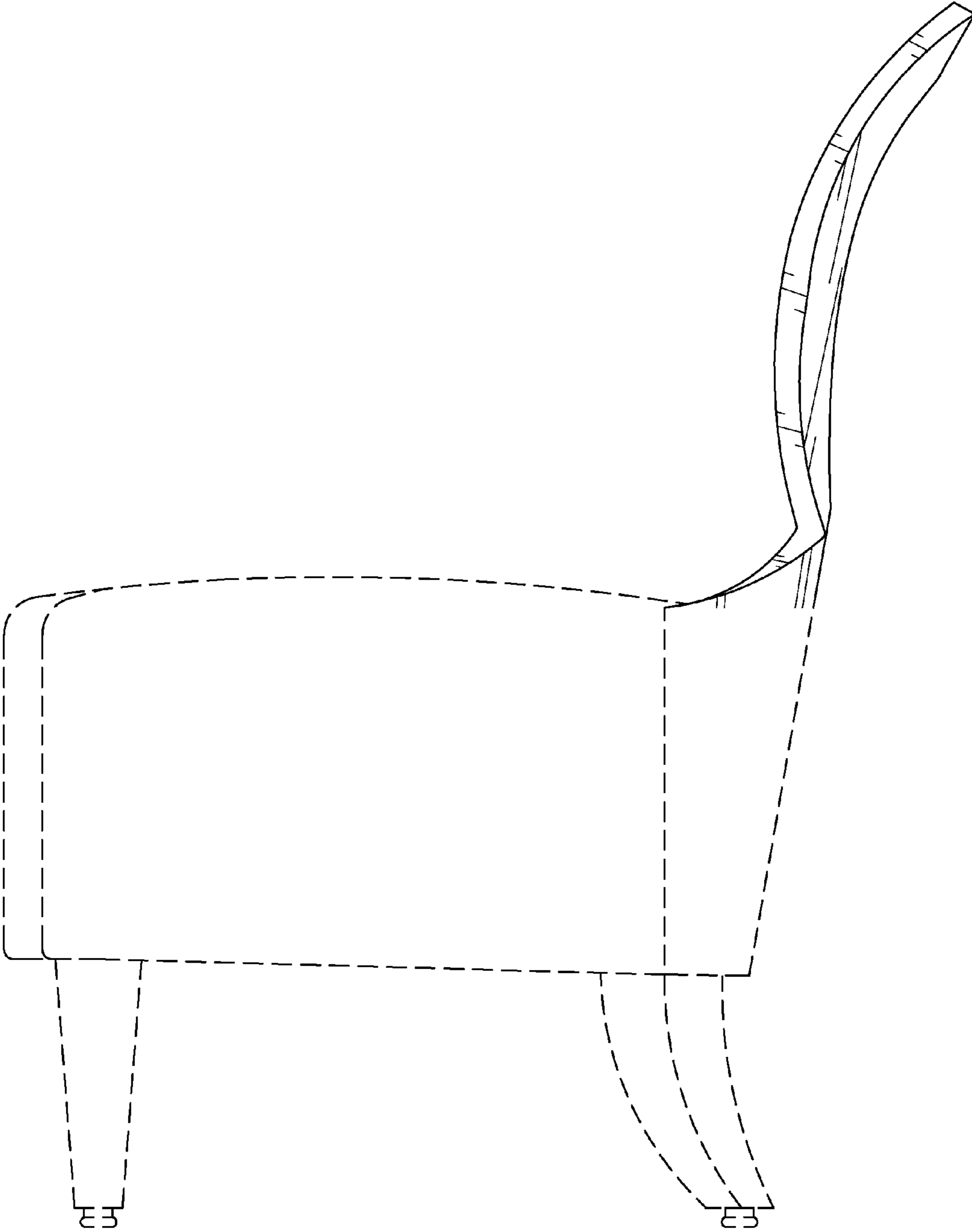


FIG. 16

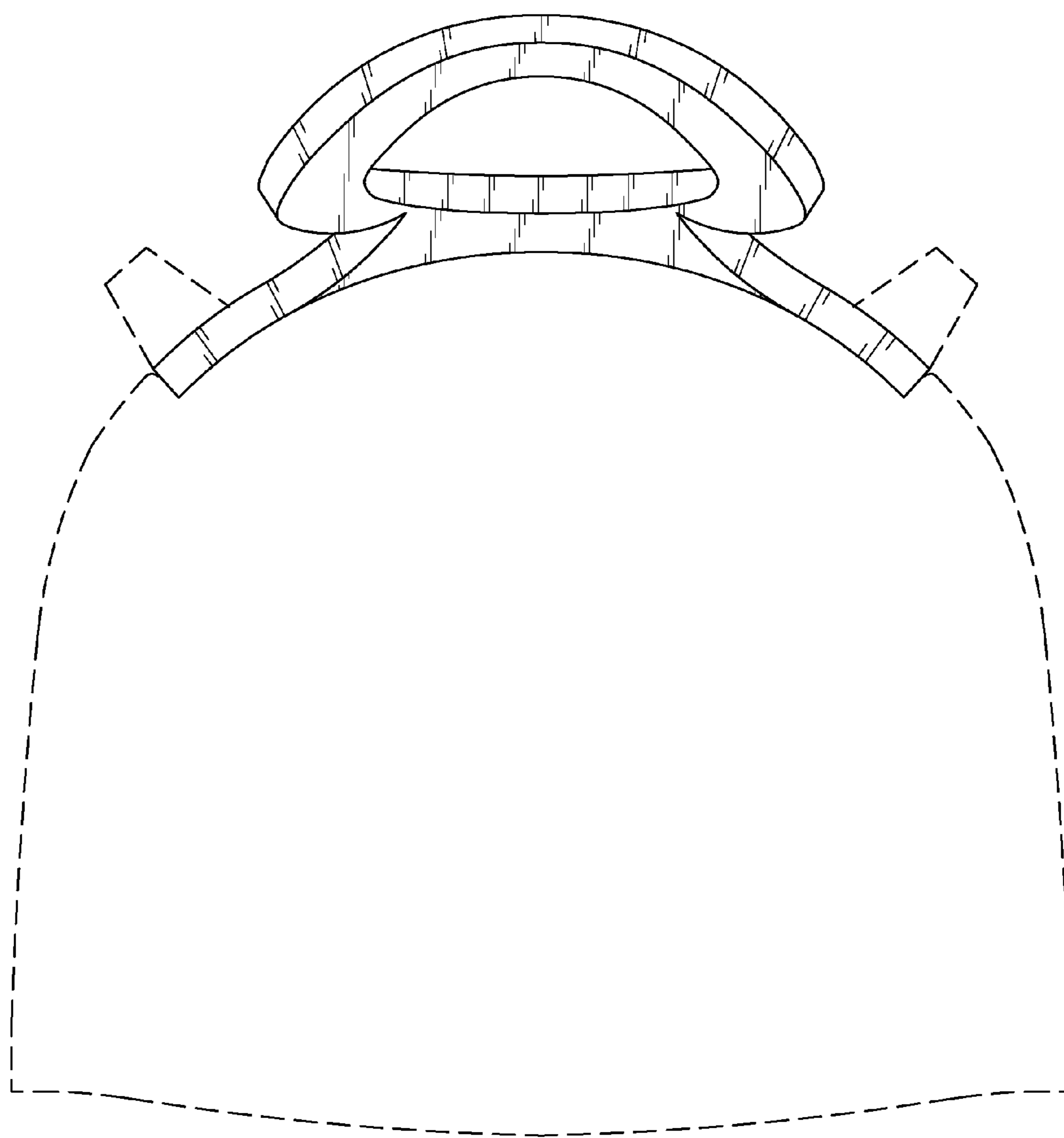


FIG. 17

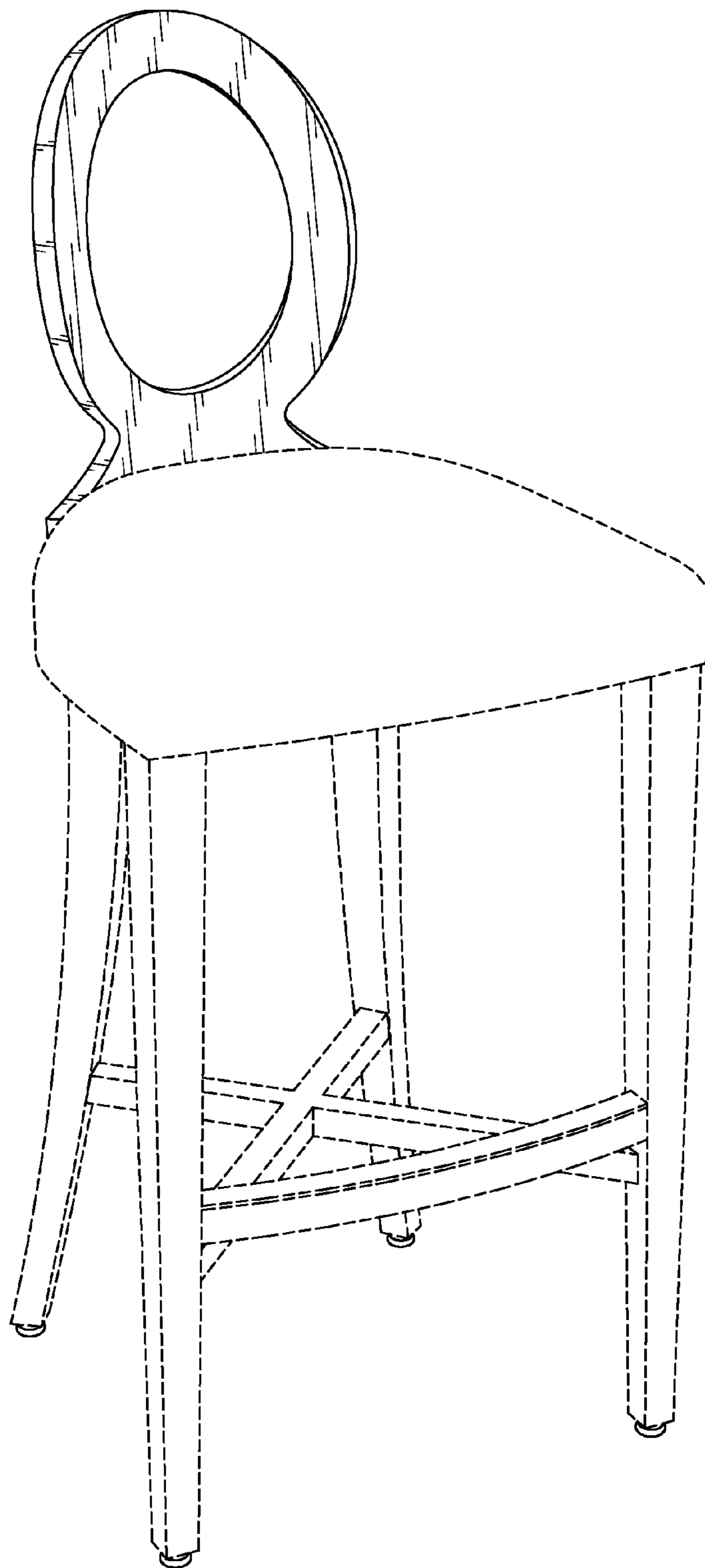


FIG. 18

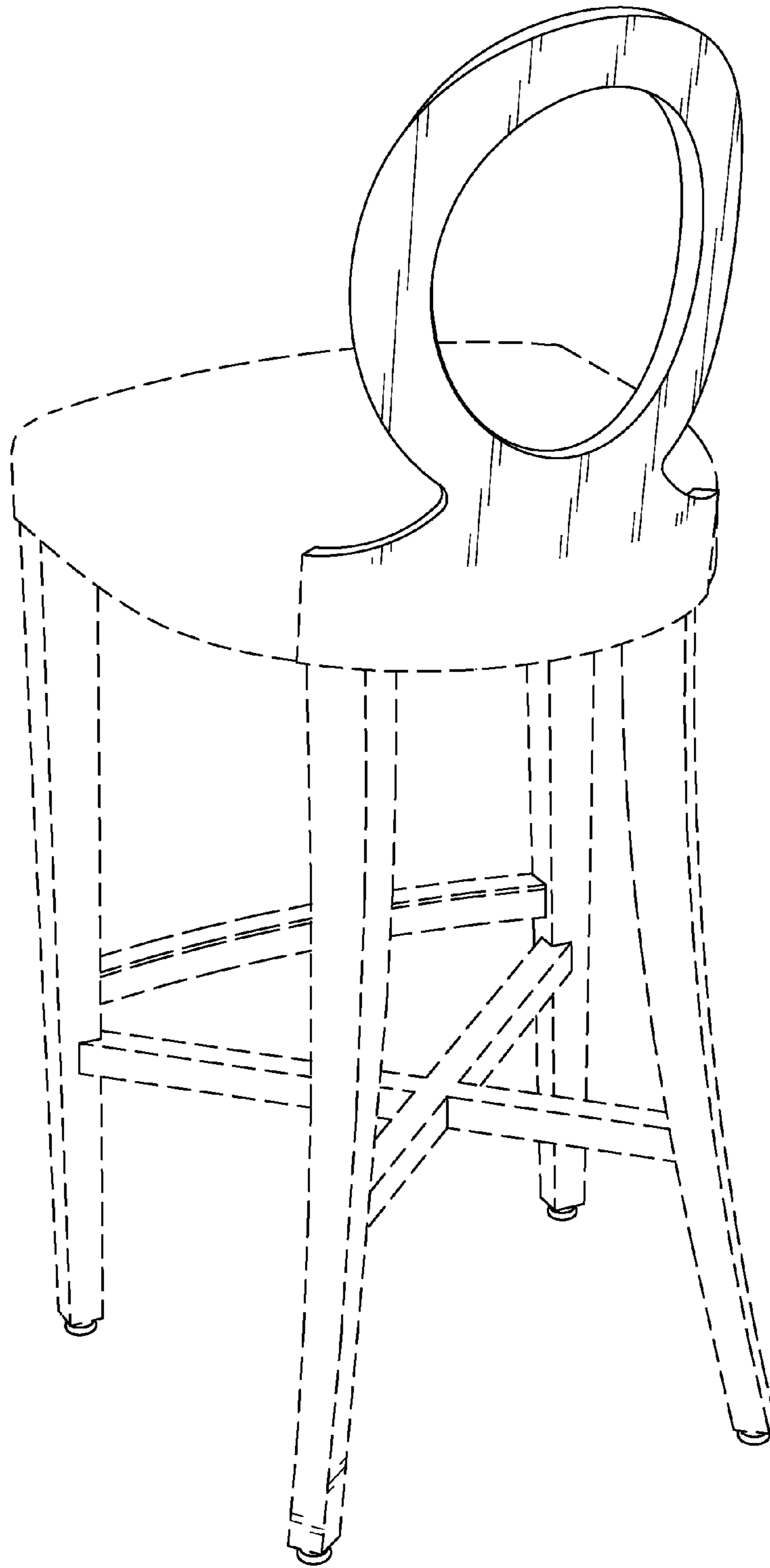


FIG. 19

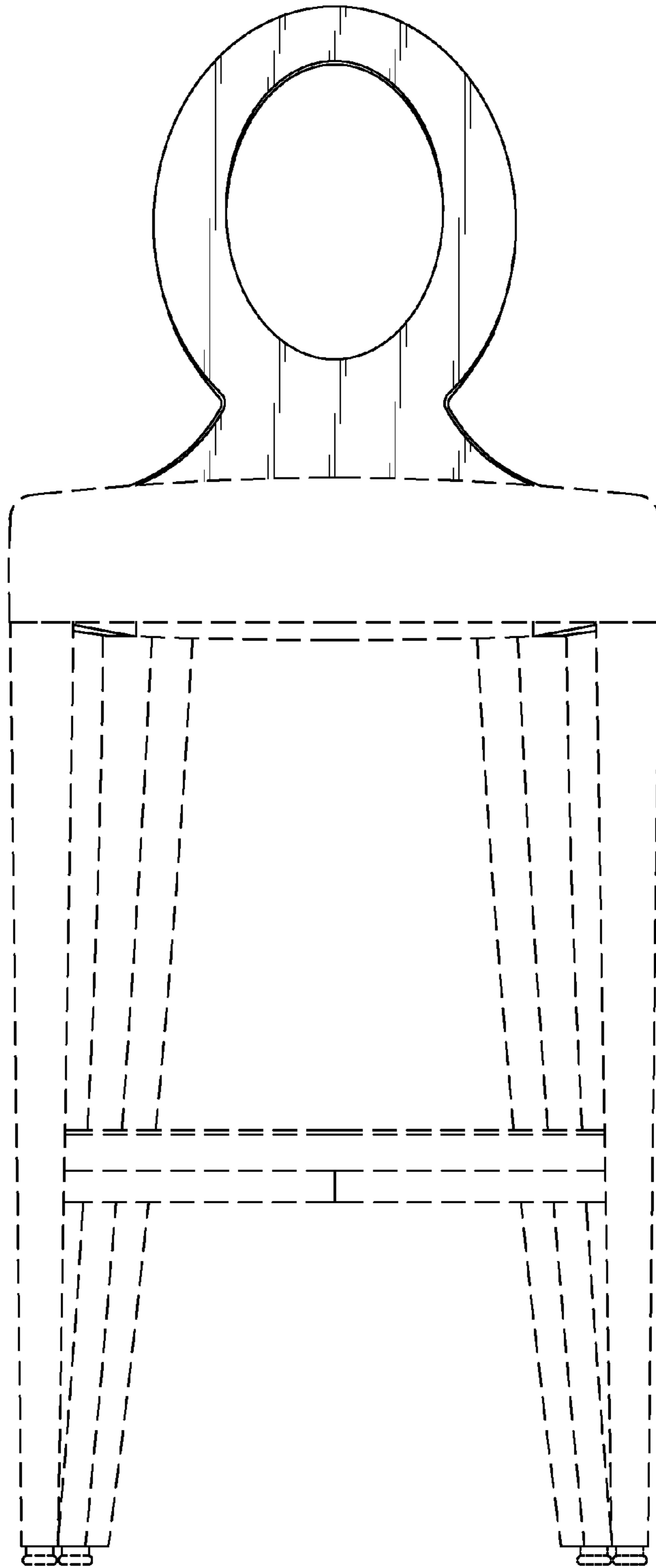


FIG. 20

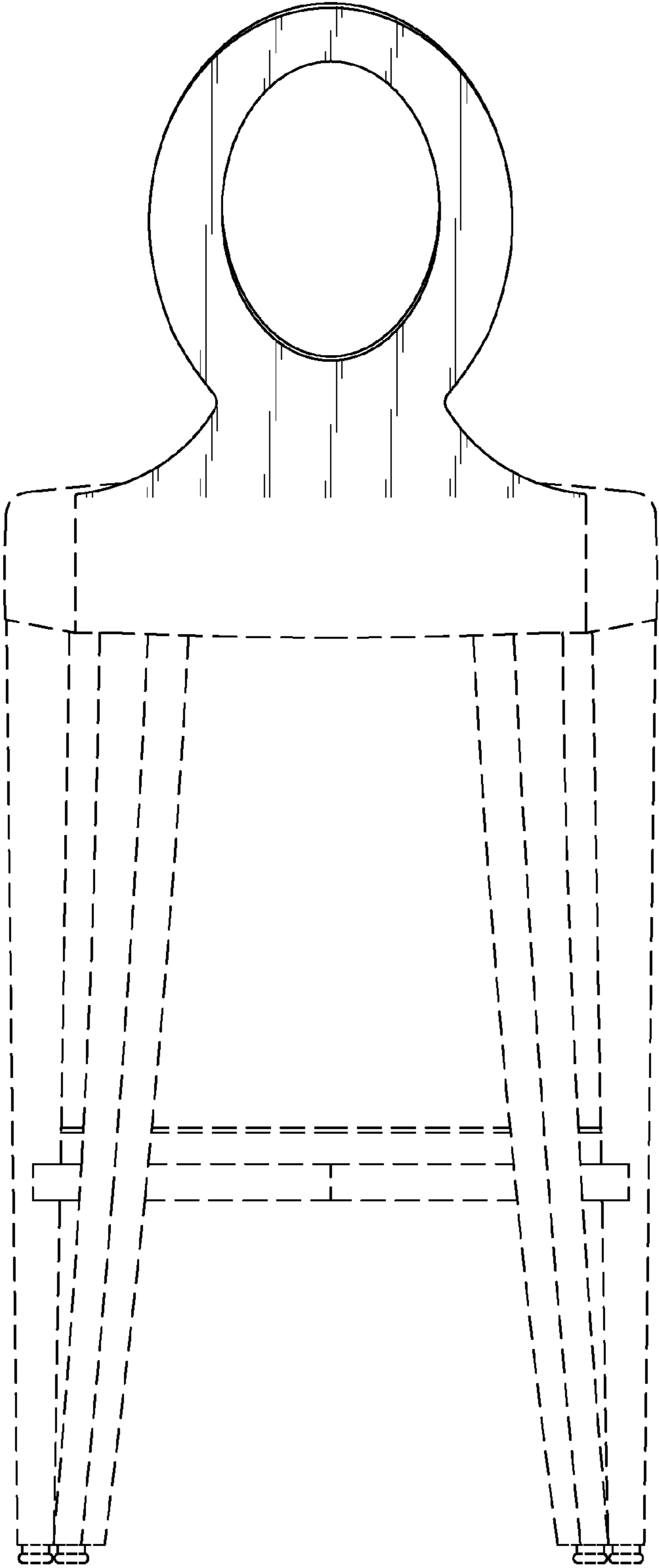


FIG. 21

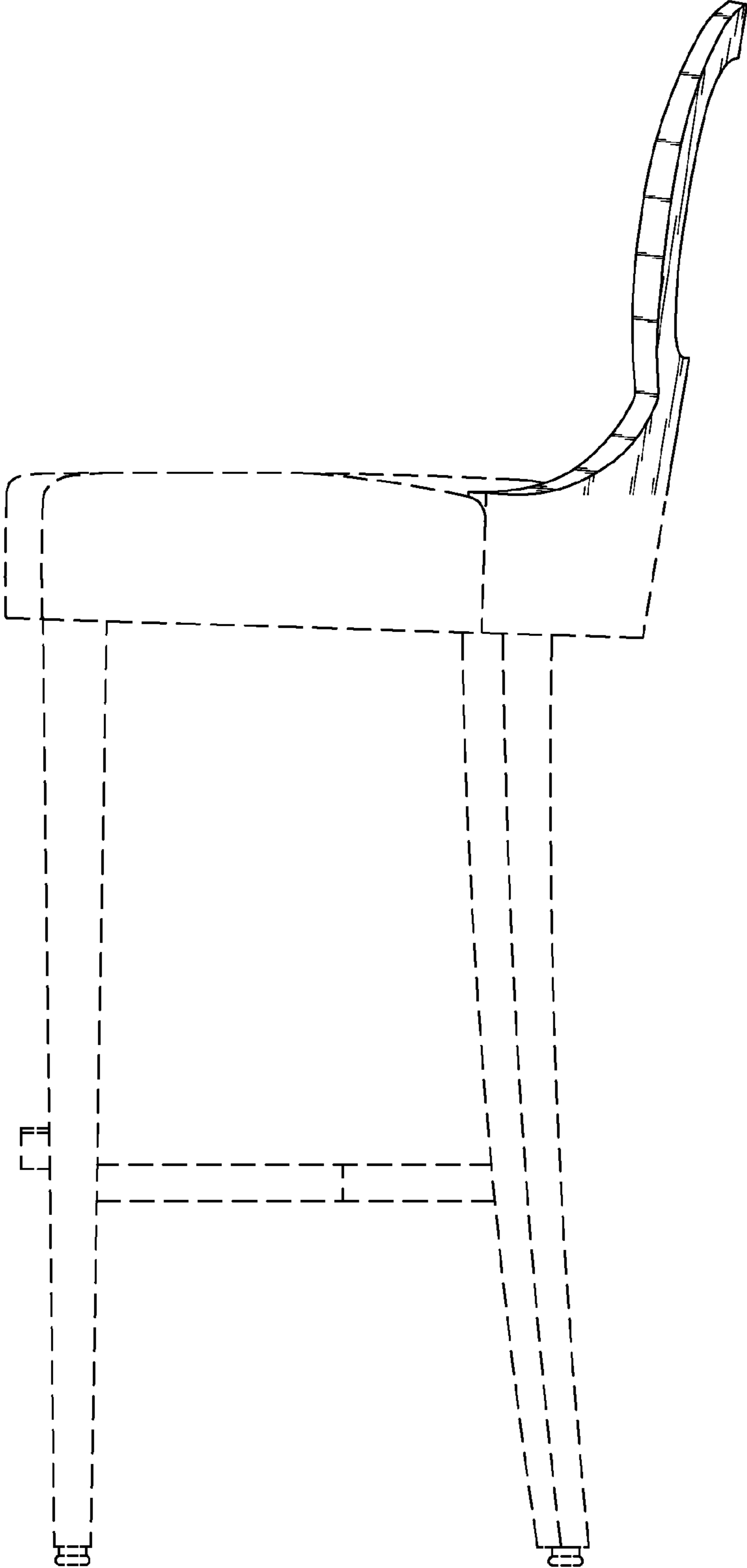




FIG. 22

