



US00D659440S

(12) **United States Design Patent**
Lee

(10) **Patent No.:** **US D659,440 S**

(45) **Date of Patent:** **** May 15, 2012**

(54) **SPRING BASE FOR A ROCKING CHAIR**

D426,078 S * 6/2000 Lange, Jr. D6/344
D545,579 S * 7/2007 Stilwell et al. D6/344
D566,975 S * 4/2008 Lee D6/348

(76) Inventor: **Lawrence K. Lee**, Houston, TX (US)

* cited by examiner

(**) Term: **14 Years**

Primary Examiner — Mimoso De

(21) Appl. No.: **29/369,909**

(74) *Attorney, Agent, or Firm* — Egbert Law Offices PLLC

(22) Filed: **Sep. 15, 2010**

(57) **CLAIM**

(51) **LOC (9) Cl.** **06-01**

The ornamental design for a spring base for a rocking chair, as shown and described.

(52) **U.S. Cl.** **D6/495**

(58) **Field of Classification Search** D6/334–336,
D6/344, 347, 348, 370, 379, 380, 495, 500–502;
5/105, 107; 297/133, 258.1, 259.1, 260.1,
297/271.5, 272.1, 273, 281, 282

DESCRIPTION

See application file for complete search history.

FIG. 1 is an upper perspective view of the spring base for a rocking chair showing my design.

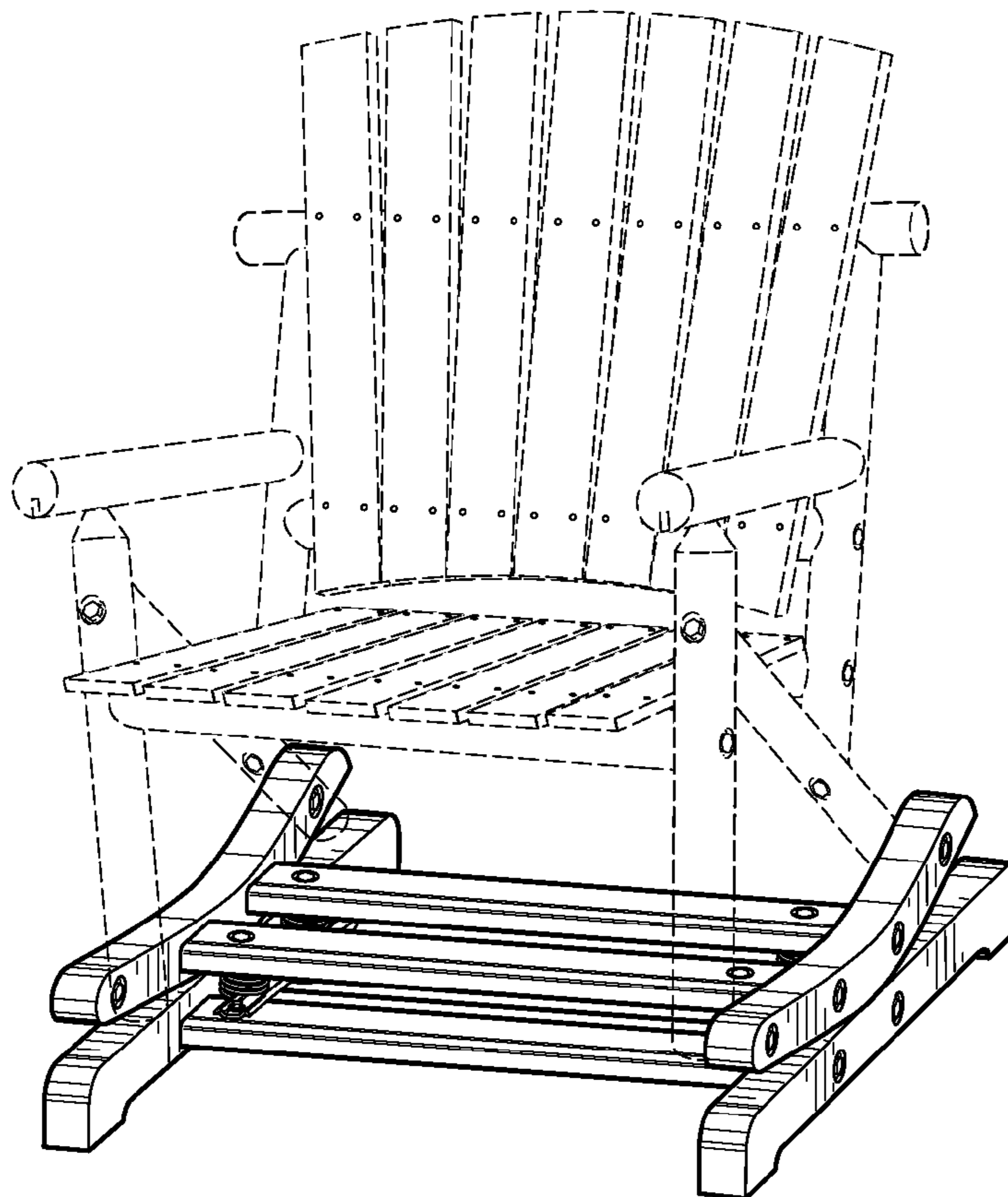
(56) **References Cited**

U.S. PATENT DOCUMENTS

676,383	A	*	6/1901	Goodman	297/260.1
2,662,580	A	*	12/1953	Gottfried	297/133
D179,878	S	*	3/1957	Bernier	D6/348
D222,832	S	*	1/1972	Lax	D6/344
D319,544	S	*	9/1991	Desnoyers	D6/344
5,246,268	A	*	9/1993	Lerner et al.	297/133
D353,267	S	*	12/1994	Desnoyers	D6/344
D362,969	S	*	10/1995	Desnoyers	D6/344
D380,633	S	*	7/1997	Shaw	D6/495
5,839,781	A	*	11/1998	Knape	297/258.1

FIG. 2 is a front view thereof;
FIG. 3 is a back view thereof;
FIG. 4 is a side view thereof;
FIG. 5 is an opposite side view thereof;
FIG. 6 is a top view thereof;
FIG. 7 is a bottom view thereof;
FIG. 8 is a sectional view thereof taken along line 8-8 of FIG. 2; and,
FIG. 9 is a sectional view thereof taken along line 8-8 of FIG. 2, showing an alternate embodiment having two springs.
The features presented in broken lines are for environmental purposes only and form no part of the claimed design.

1 Claim, 3 Drawing Sheets



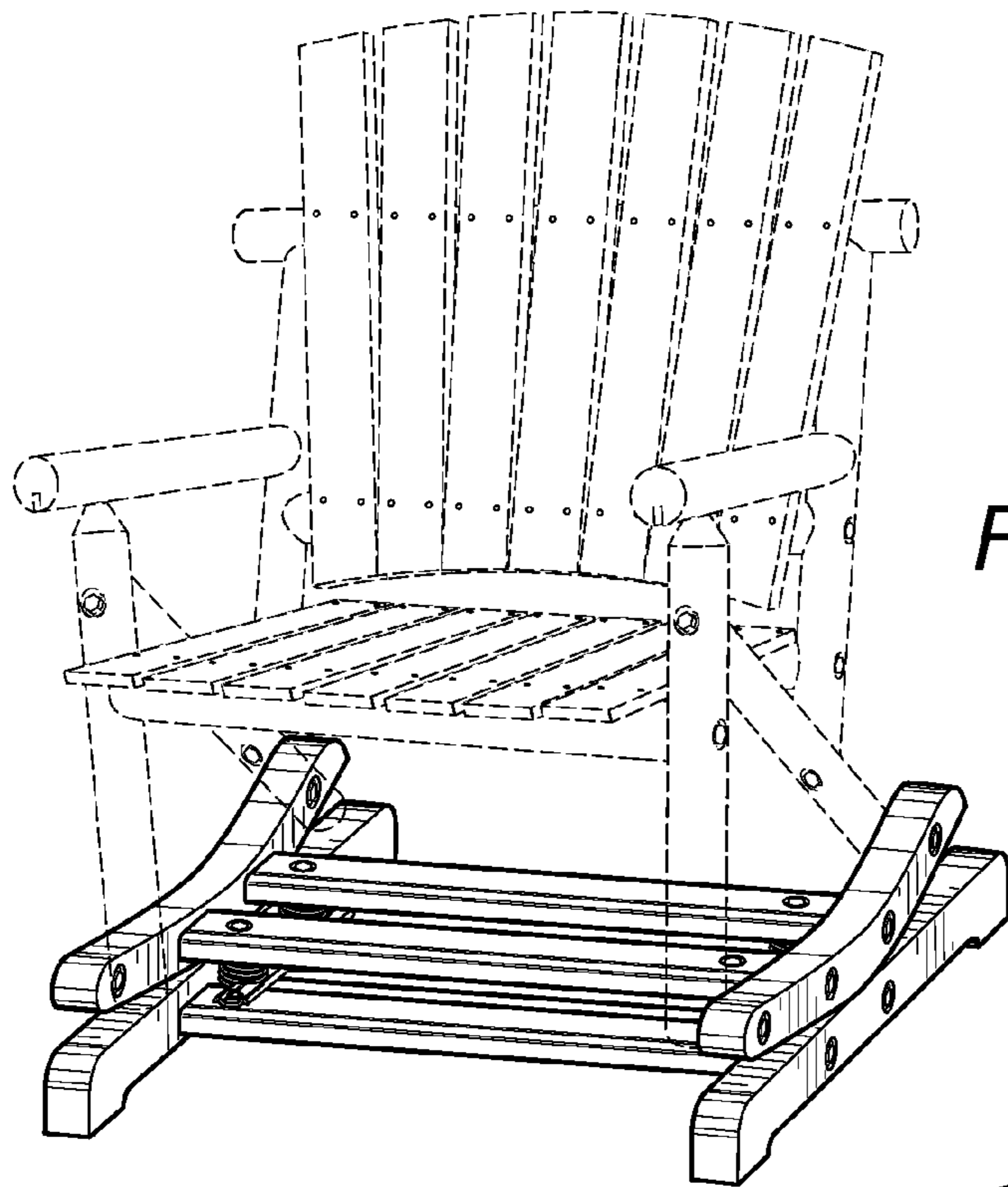


FIG. 1

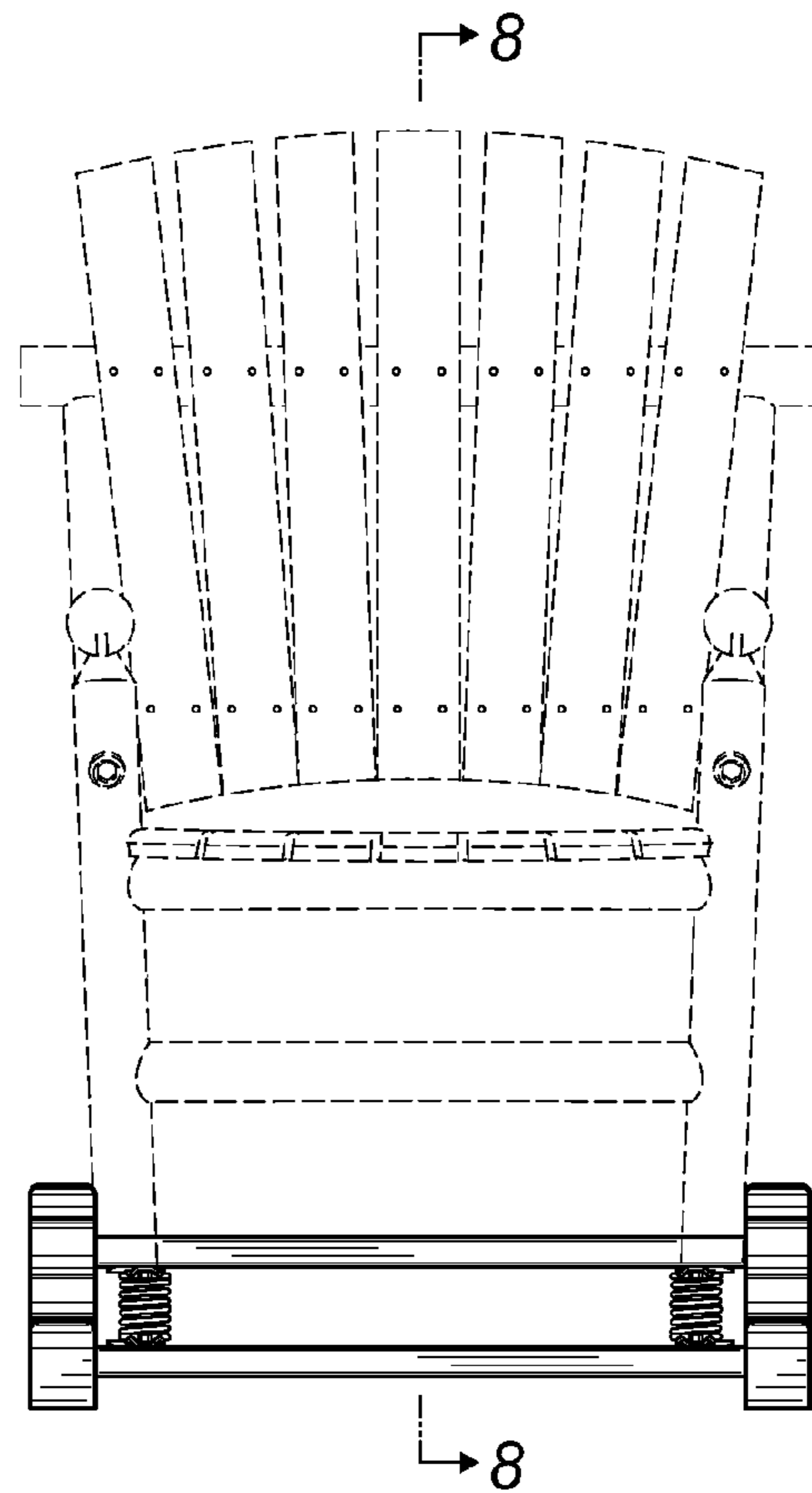


FIG. 2

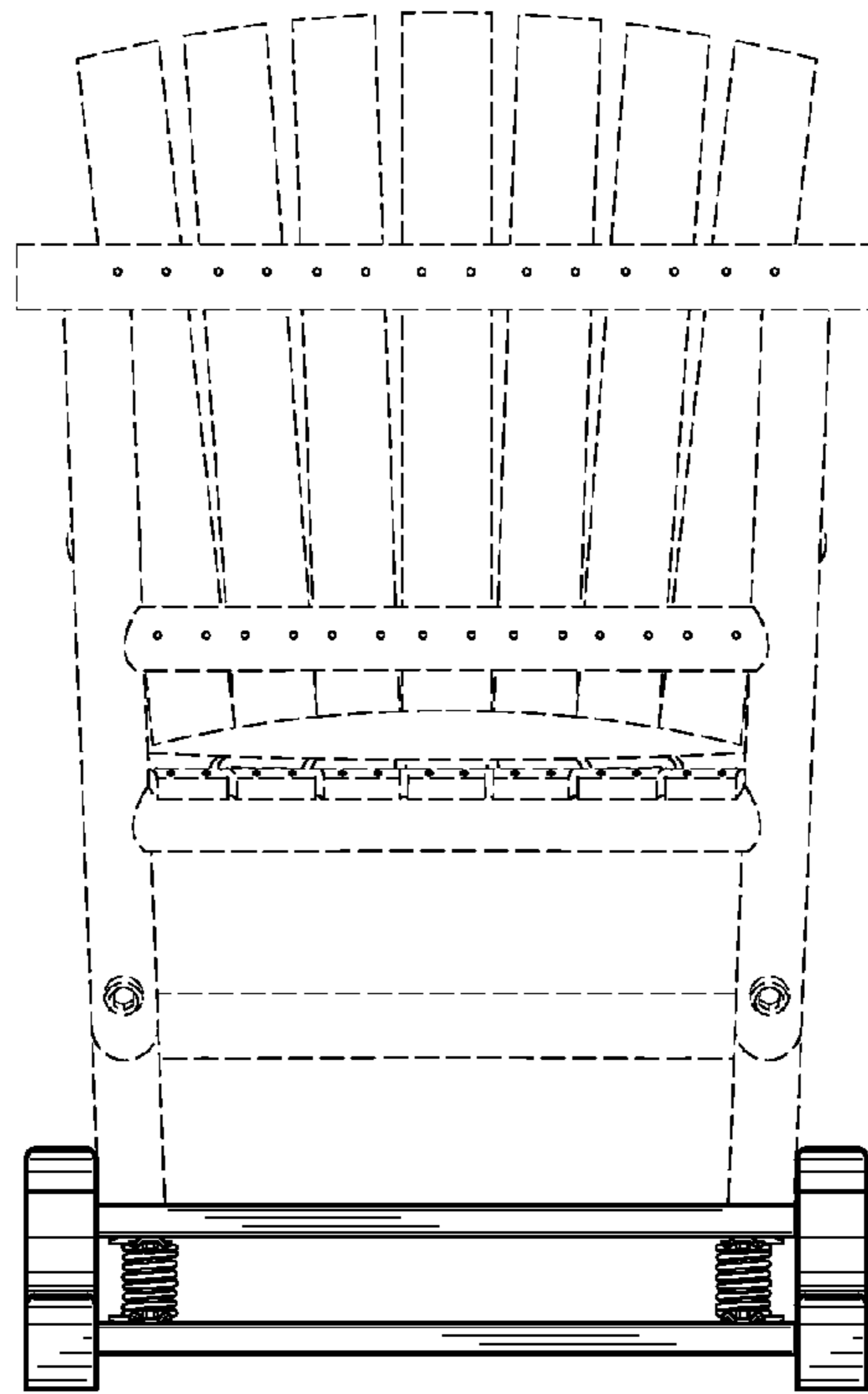


FIG. 3

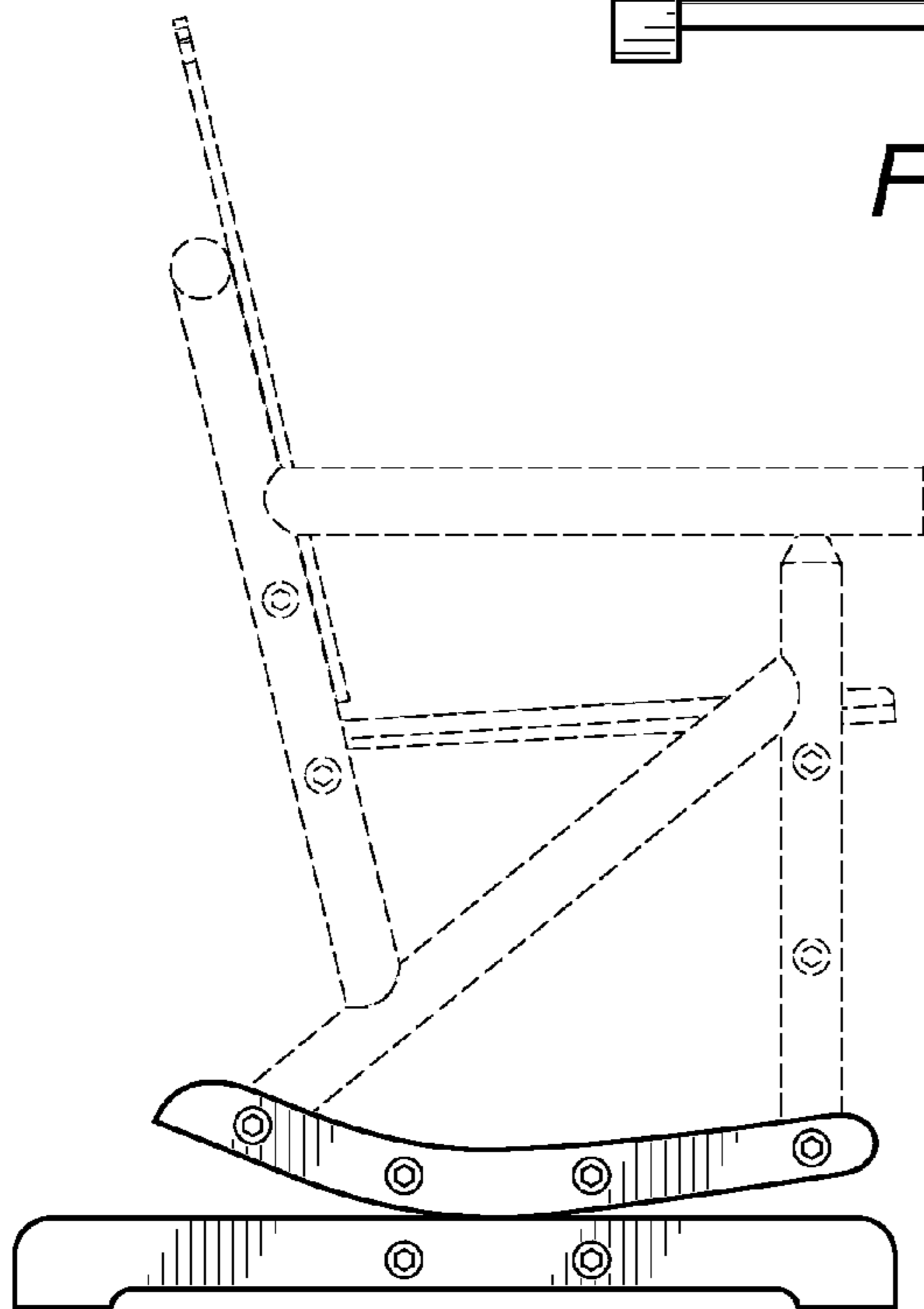


FIG. 4

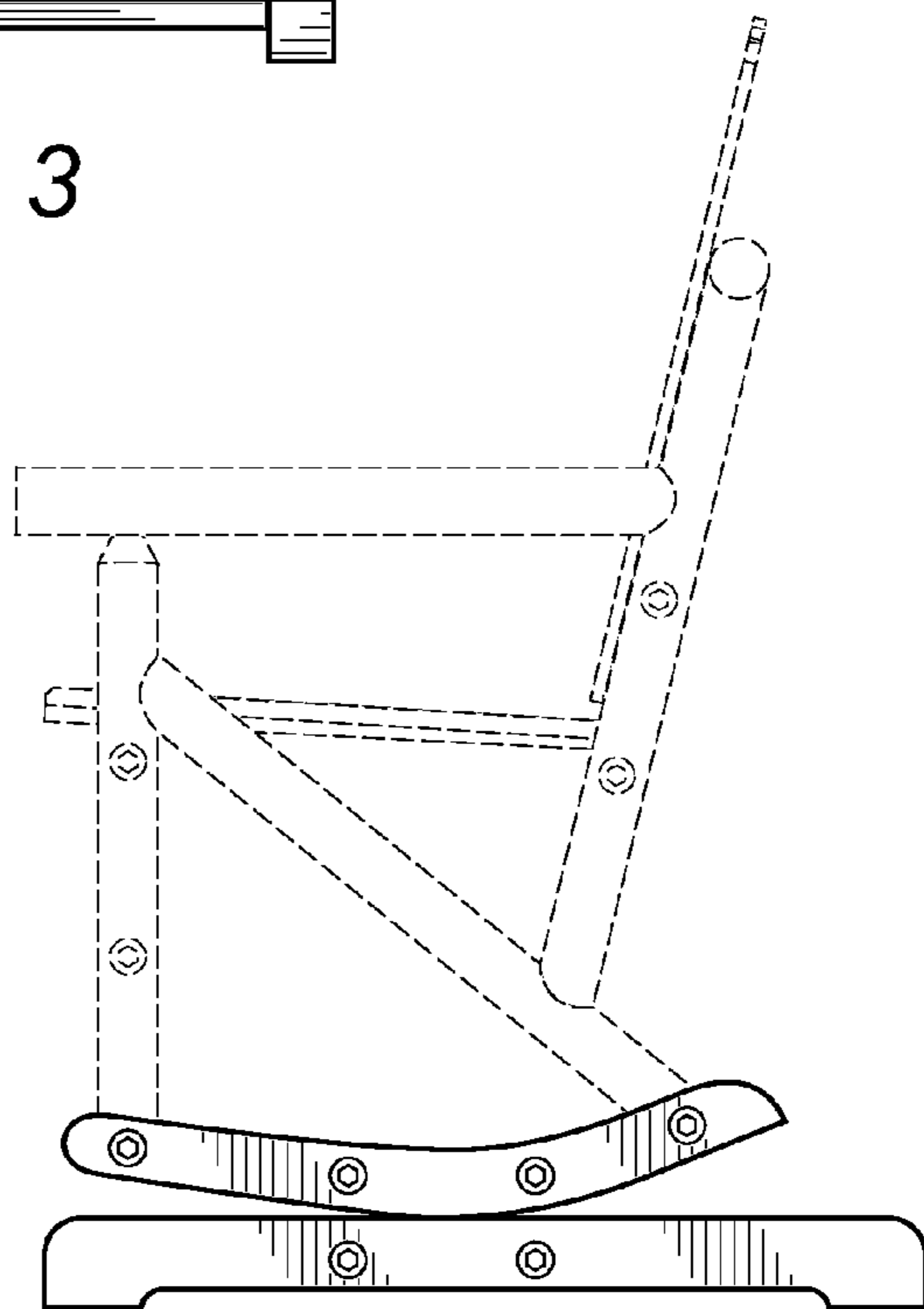


FIG. 5

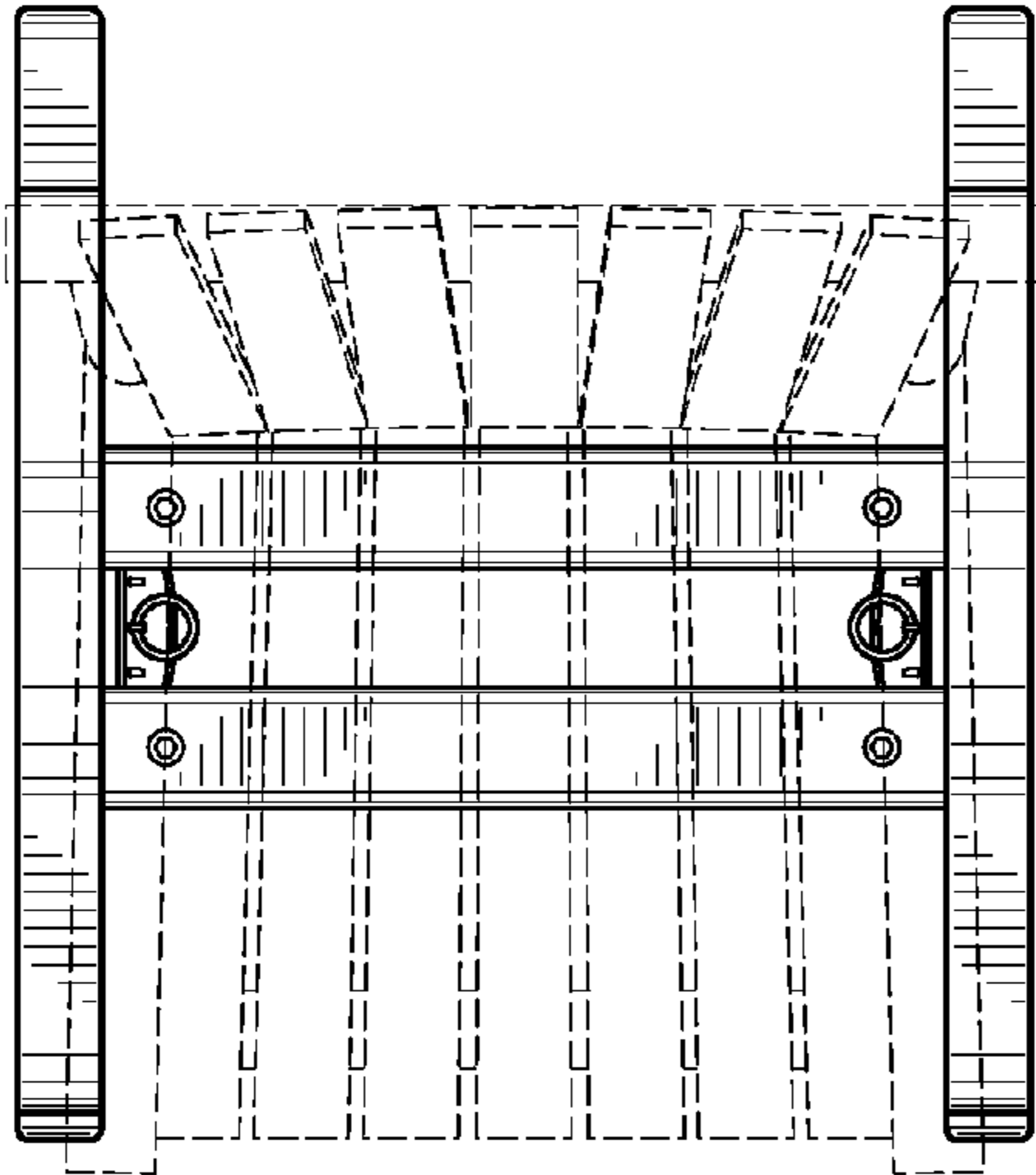


FIG. 6

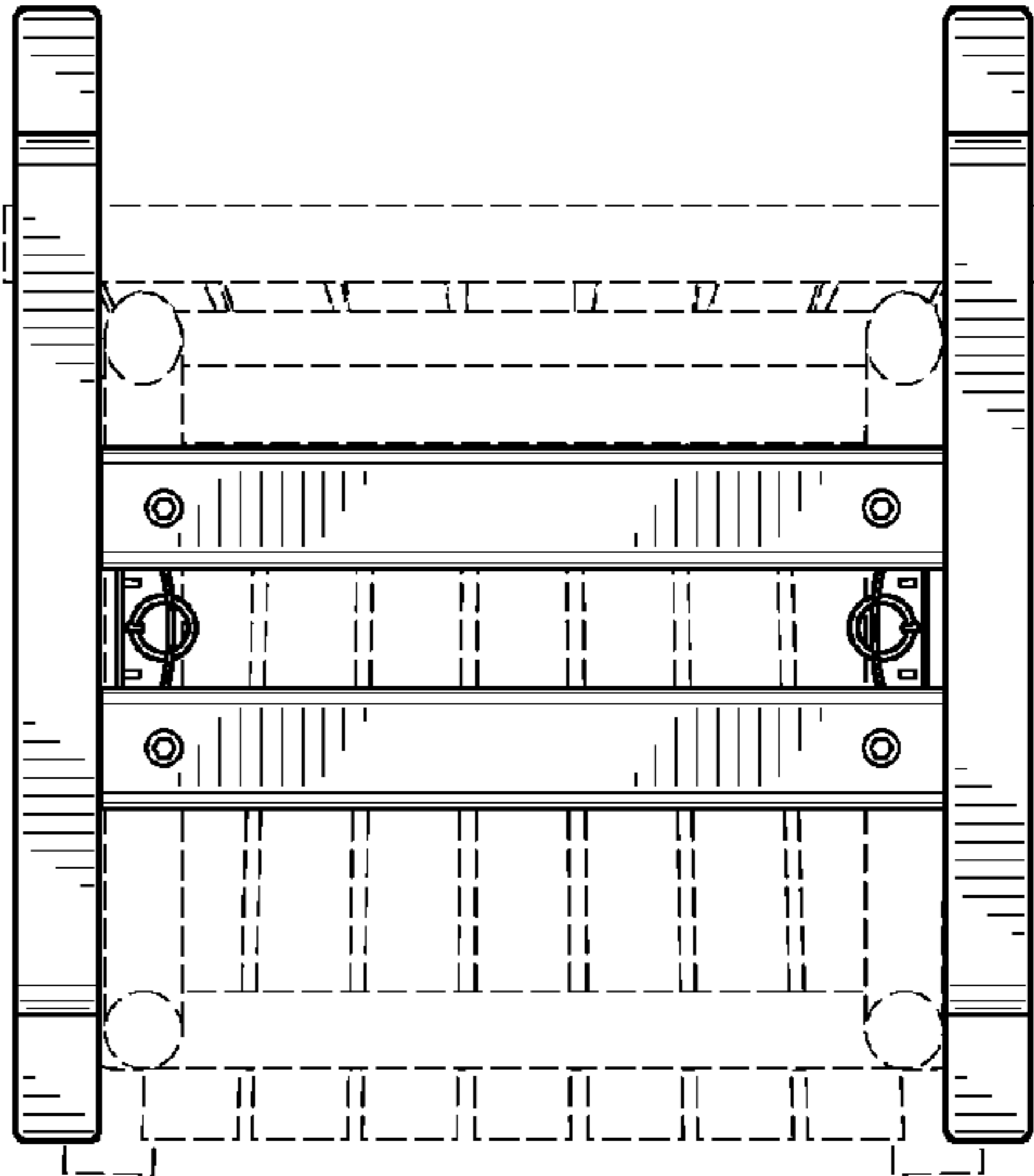


FIG. 7

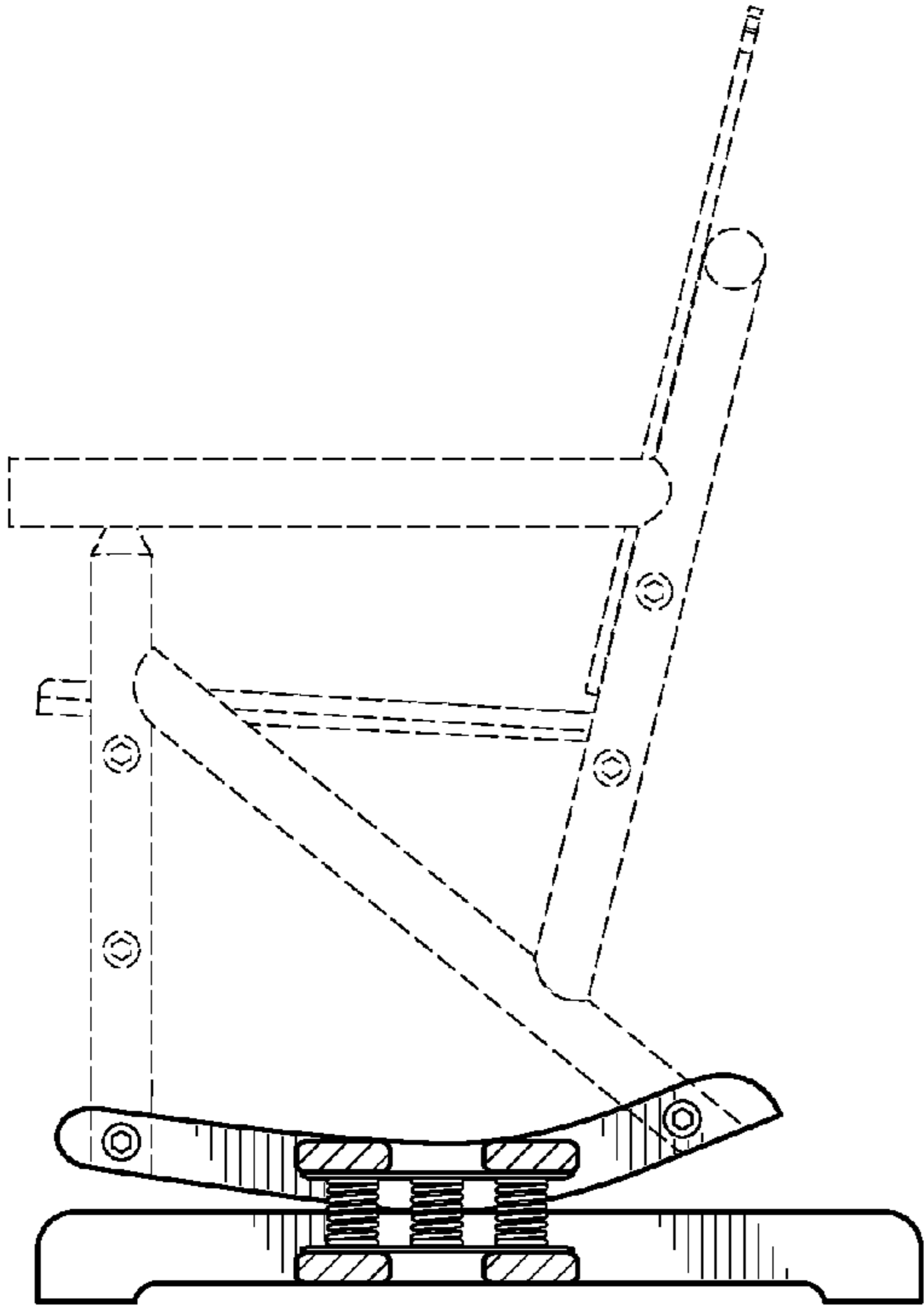


FIG. 8

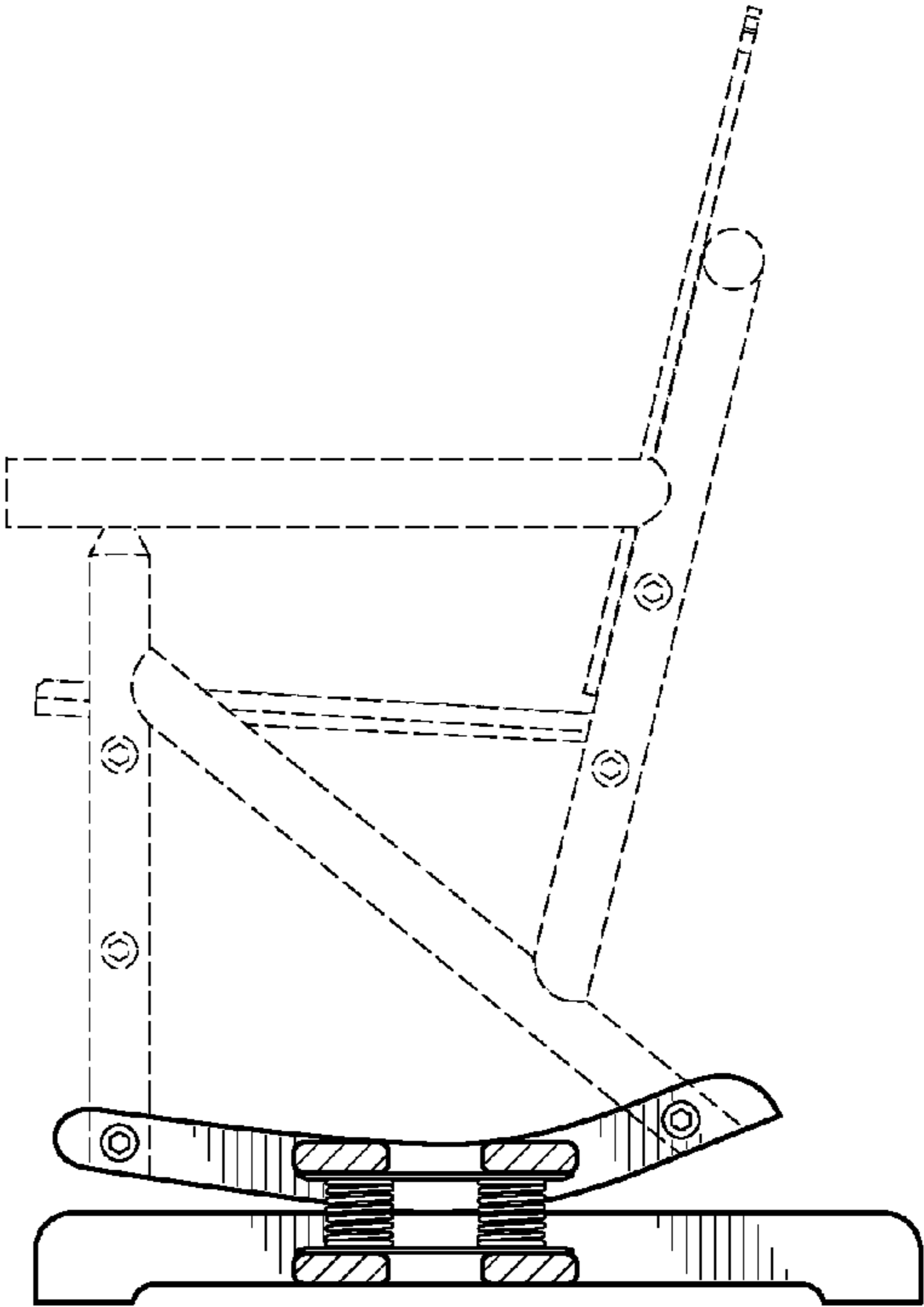


FIG. 9