

US00D659438S

(12) **United States Design Patent**
Smock

(10) **Patent No.:** **US D659,438 S**

(45) **Date of Patent:** **** May 15, 2012**

(54) **CABINET MOLDING**

(75) Inventor: **Kevin Michael Smock**, Jamestown, PA
(US)

(73) Assignee: **Masco Cabinetry LLC**, Ann Arbor, MI
(US)

(**) Term: **14 Years**

(21) Appl. No.: **29/369,456**

(22) Filed: **Sep. 9, 2010**

(51) **LOC (9) Cl.** **06-06**

(52) **U.S. Cl.** **D6/492**

(58) **Field of Classification Search** D6/491-492,
D6/480-489, 494-495, 497, 509-510, 429;
D25/138, 145; 52/311.2-311.3, 313, 716.1;
312/204, 330.1, 348.3, 348.4; 108/153.1,
108/156, 157.1, 161

See application file for complete search history.

(56) **References Cited**

U.S. PATENT DOCUMENTS

D390,732 S *	2/1998	Nadar	D6/509
D403,893 S *	1/1999	Welborn, Jr.	D6/439
D407,501 S *	3/1999	Shipman et al.	D25/58
D413,462 S *	9/1999	Paus	D6/491
6,119,878 A *	9/2000	Zen	211/94.01
D441,569 S *	5/2001	Vaaler	D6/446
D459,615 S *	7/2002	Stanton	D6/446
D468,451 S *	1/2003	Kowalczyk et al.	D25/119
D473,664 S *	4/2003	Perkins et al.	D25/138
D490,260 S *	5/2004	Bowen	D6/511
D492,148 S *	6/2004	Brandon	D6/509
D508,177 S *	8/2005	Stanton	D6/495
D516,343 S *	3/2006	Domack et al.	D6/446
D525,722 S *	7/2006	Ellsley	D25/136

D526,889 S *	8/2006	DePaul	D8/403
D527,117 S *	8/2006	Ellsley	D25/136
D532,120 S *	11/2006	Holztrager	D25/123
D539,440 S *	3/2007	Collishaw	D25/119
D554,892 S *	11/2007	Thompson	D6/438
D557,038 S *	12/2007	O'Hare et al.	D6/446
D594,672 S *	6/2009	Millilo	D6/436
D599,916 S *	9/2009	Polston	D25/136
D613,520 S *	4/2010	Goodman	D6/396
D620,138 S *	7/2010	Vaes et al.	D25/136
D620,140 S *	7/2010	Vaes et al.	D25/136
D620,142 S *	7/2010	Vaes et al.	D25/136
D620,143 S *	7/2010	Vaes et al.	D25/136
D626,399 S *	11/2010	Jou	D8/307
D648,448 S *	11/2011	Apgood et al.	D25/138
2006/0091094 A1 *	5/2006	Schuberth	211/94.01
2007/0221594 A1 *	9/2007	Pierro	211/94.01

* cited by examiner

Primary Examiner — Kelley Donnelly

(74) *Attorney, Agent, or Firm* — Edgar A. Zarins; Nirav D. Parikh; Lora J. Graentzdoerffer

(57) **CLAIM**

The ornamental design for a cabinet molding, as shown and described.

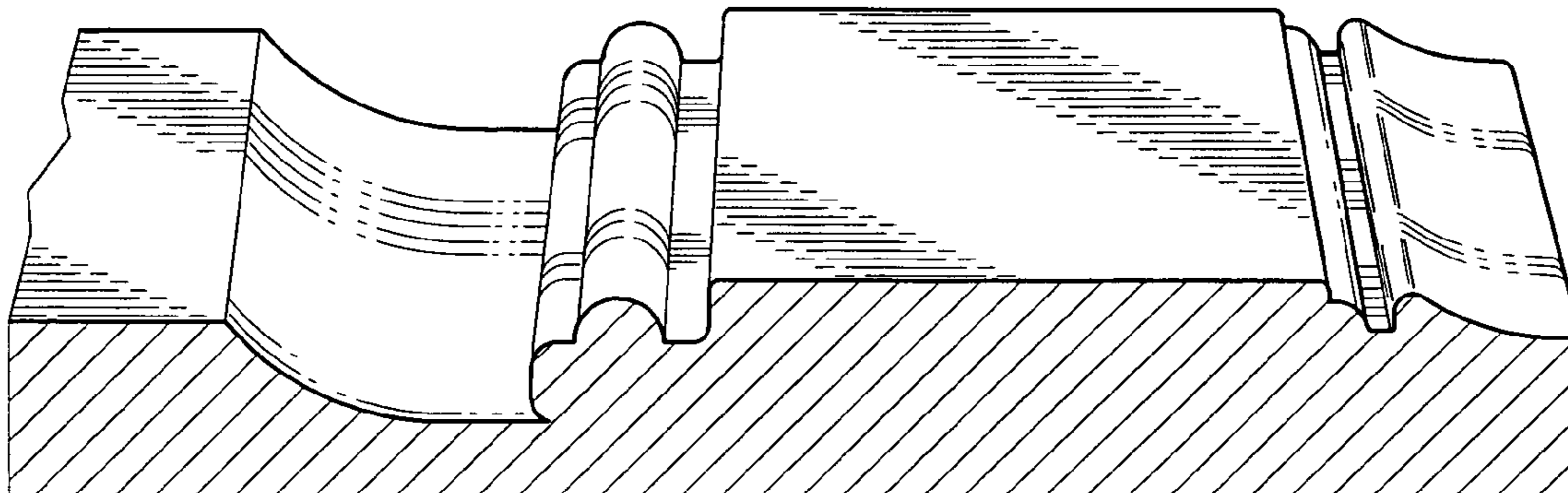
DESCRIPTION

FIG. 1 is a front perspective view of a cabinet molding showing my new design; and, FIG. 2 is an enlarged cross-sectional perspective view thereof.

The broken lines are for the purpose of illustrating the environment of the article only and form no part of the claimed design.

The long and short broken lines which define the bounds of the claimed design form no part thereof.

1 Claim, 1 Drawing Sheet



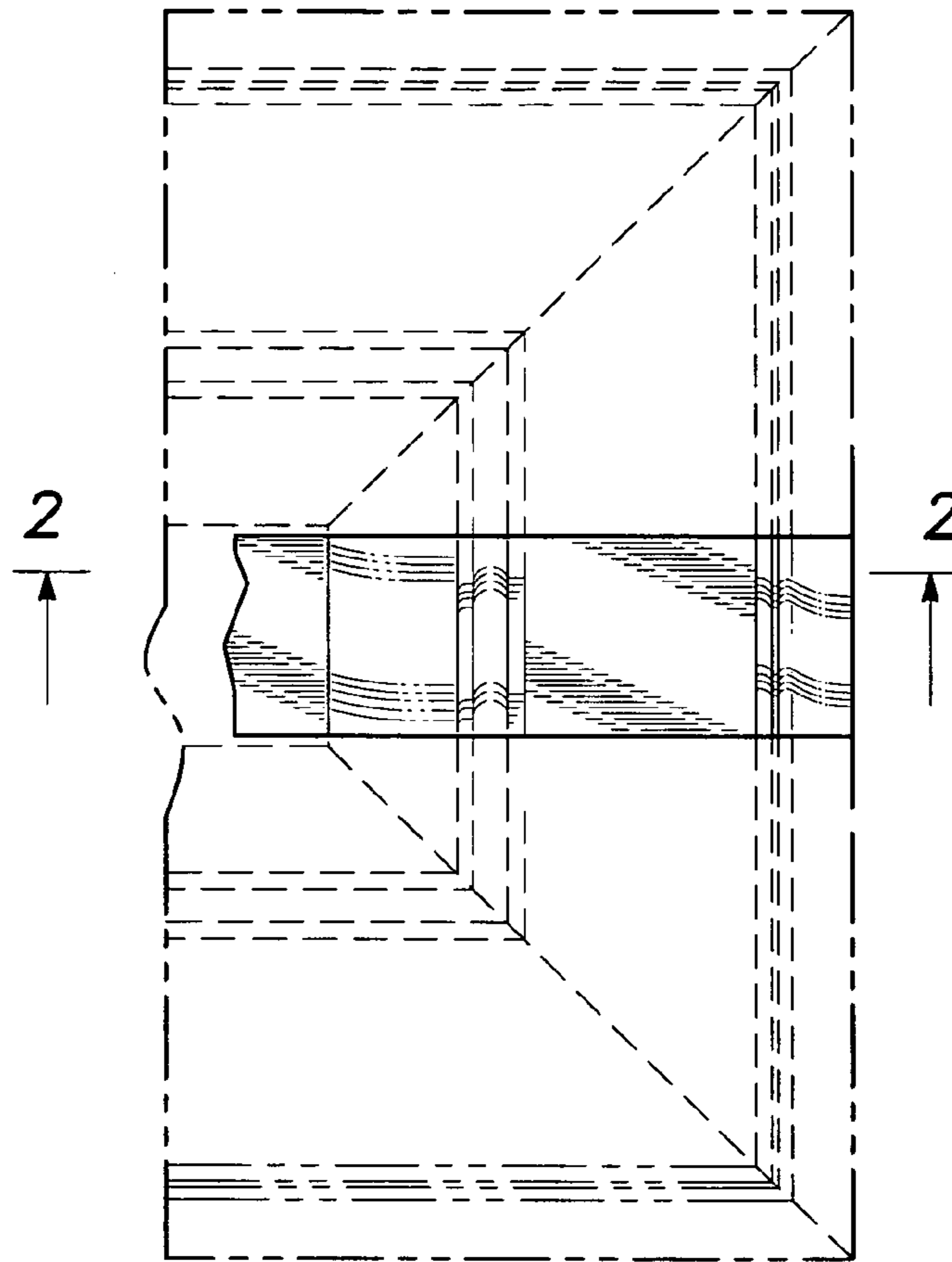


Fig-1

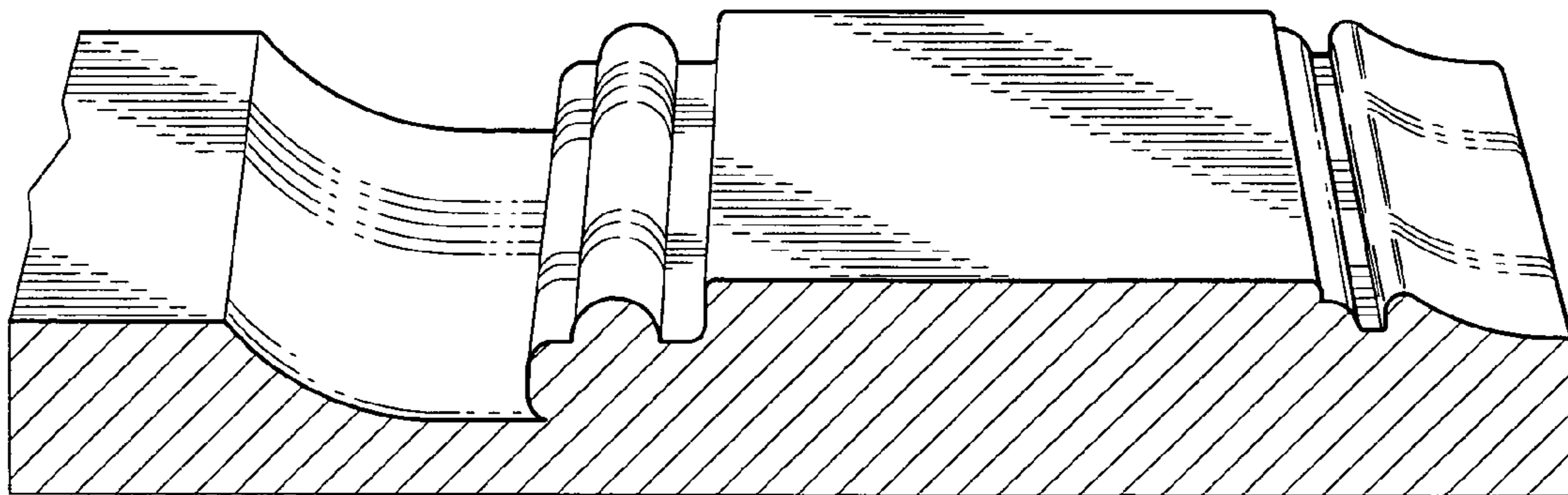


Fig-2