



US00D659437S

(12) **United States Design Patent**  
**Smock**

(10) **Patent No.:** **US D659,437 S**

(45) **Date of Patent:** **\*\* May 15, 2012**

(54) **CABINET MOLDING**

(75) **Inventor:** **Kevin Michael Smock**, Jamestown, PA (US)

(73) **Assignee:** **Masco Cabinetry LLC**, Ann Arbor, MI (US)

(\*\*) **Term:** **14 Years**

(21) **Appl. No.:** **29/369,455**

(22) **Filed:** **Sep. 9, 2010**

(51) **LOC (9) Cl.** ..... **06-06**

(52) **U.S. Cl.** ..... **D6/492**

(58) **Field of Classification Search** ..... D6/491-492, D6/480-489, 494-495, 497, 509-510, 429; D25/138, 145; 52/311.2-311.3, 313, 716.1; 312/204, 330.1, 348.3, 348.4; 108/153.1, 108/156, 157.1, 161

See application file for complete search history.

D525,722 S *	7/2006	Ellsley .....	D25/136
D532,120 S *	11/2006	Holztrager .....	D25/123
D539,440 S *	3/2007	Collishaw .....	D25/119
D554,892 S *	11/2007	Thompson .....	D6/438
D557,038 S *	12/2007	O'Hare et al. ....	D6/446
D594,672 S *	6/2009	Millilo .....	D6/436
D599,916 S *	9/2009	Polston .....	D25/136
D613,520 S *	4/2010	Goodman .....	D6/396
D620,138 S *	7/2010	Vaes et al. ....	D25/136
D620,140 S *	7/2010	Vaes et al. ....	D25/136
D620,142 S *	7/2010	Vaes et al. ....	D25/136
D620,143 S *	7/2010	Vaes et al. ....	D25/136
D626,399 S *	11/2010	Jou .....	D8/307

\* cited by examiner

*Primary Examiner* — Kelley Donnelly

(74) *Attorney, Agent, or Firm* — Edgar A. Zarins; Nirav D. Parikh; Lora J. Graentzdoerffer

(57) **CLAIM**

The ornamental design for a cabinet molding, as shown and described.

**DESCRIPTION**

FIG. 1 is a front perspective view of a cabinet molding showing my new design; and, FIG. 2 is an enlarged cross-sectional perspective view thereof.

The broken lines are for the purpose of illustrating the environment of the article only and form no part of the claimed design.

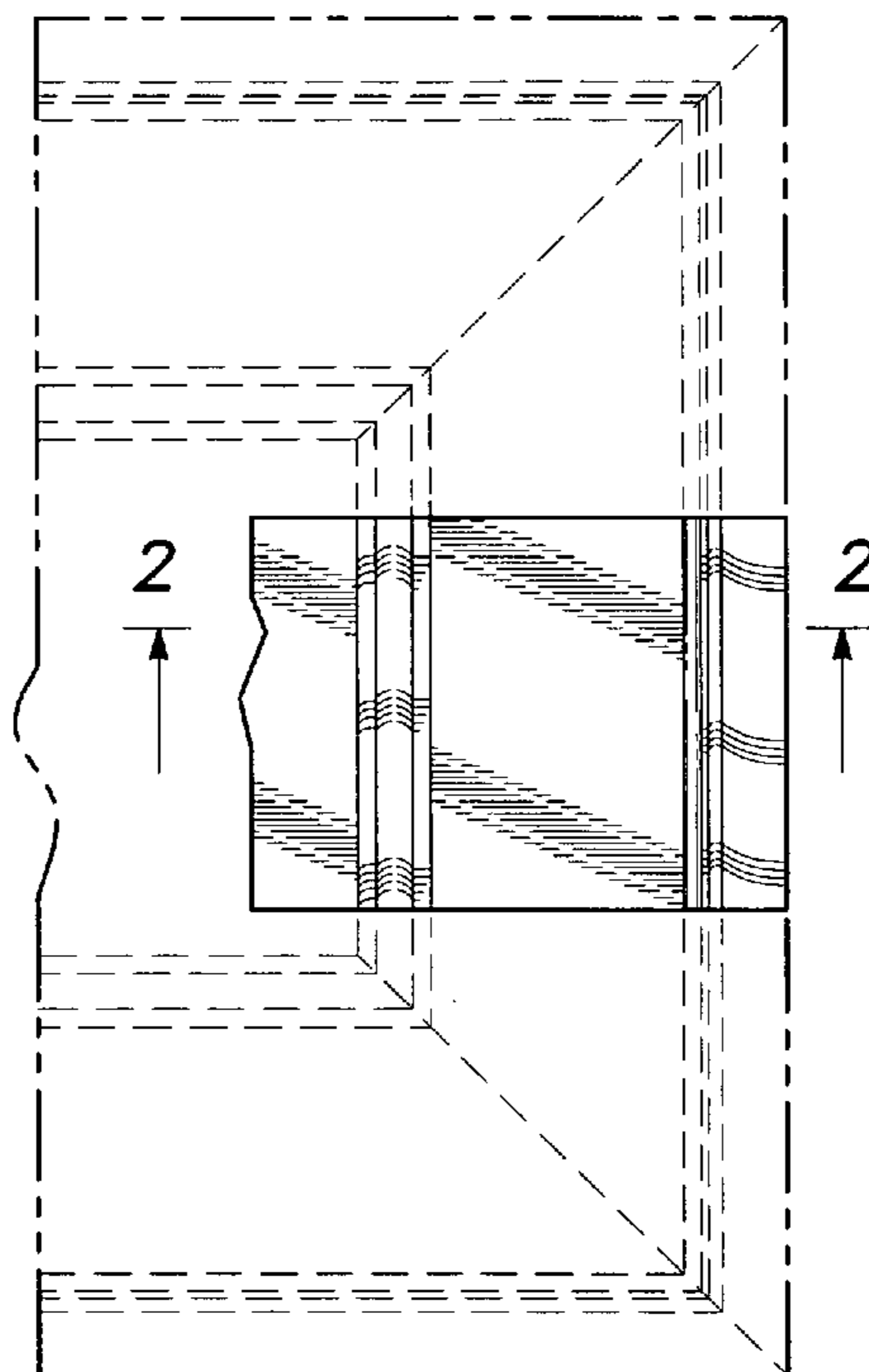
The long and short broken lines which define the bounds of the claimed design form no part thereof.

**1 Claim, 1 Drawing Sheet**

(56) **References Cited**

U.S. PATENT DOCUMENTS

D390,732 S *	2/1998	Nadar .....	D6/509
D403,893 S *	1/1999	Welborn, Jr. ....	D6/439
D407,501 S *	3/1999	Shipman et al. ....	D25/58
D413,462 S *	9/1999	Paus .....	D6/491
D441,569 S *	5/2001	Vaaler .....	D6/446
D459,615 S *	7/2002	Stanton .....	D6/446
D468,451 S *	1/2003	Kowalczyk et al. ....	D25/119
D490,260 S *	5/2004	Bowen .....	D6/511
D492,148 S *	6/2004	Brandon .....	D6/509
D508,177 S *	8/2005	Stanton .....	D6/495
D516,343 S *	3/2006	Domack et al. ....	D6/446



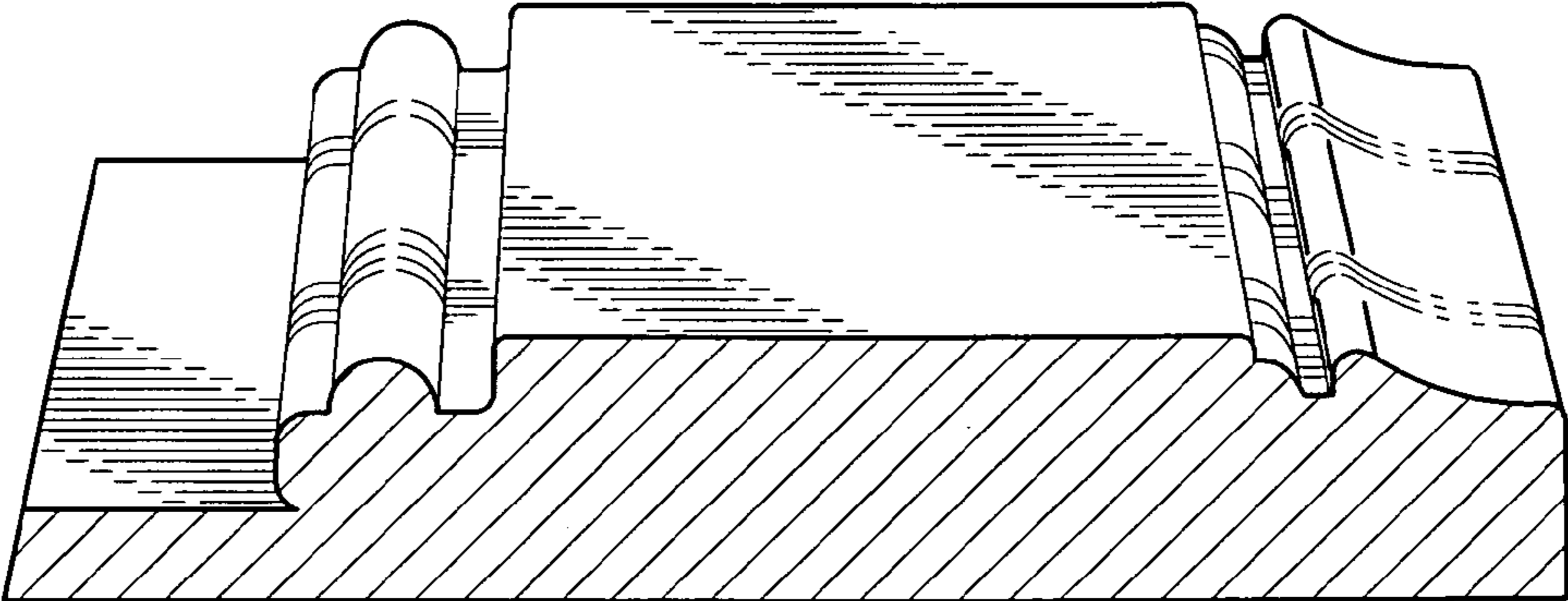
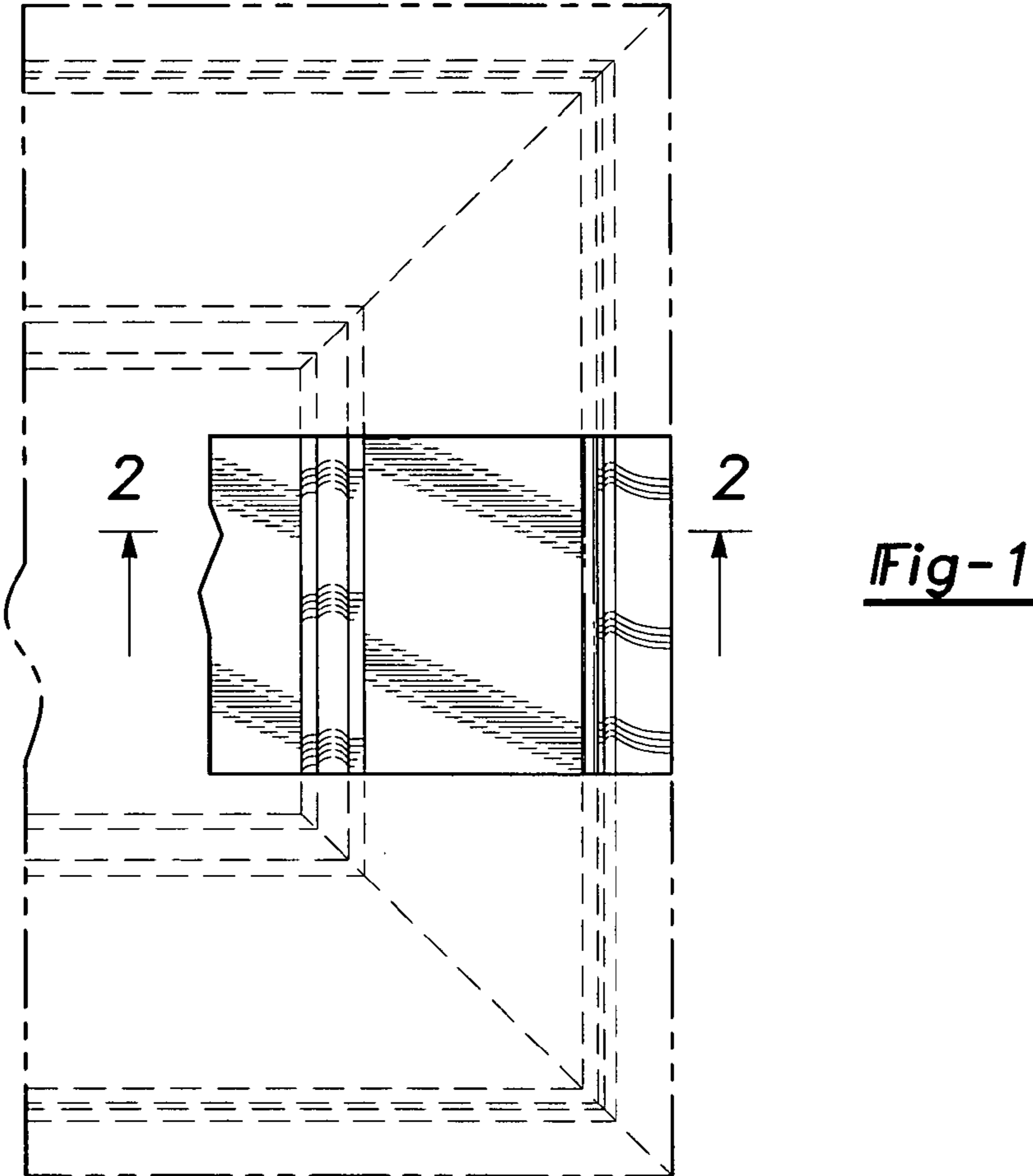


Fig-2