

US00D659435S

(12) **United States Design Patent**
Sofield

(10) **Patent No.:** **US D659,435 S**
(45) **Date of Patent:** **** May 15, 2012**

(54) **TABLE**

(75) Inventor: **William Sofield**, New York, NY (US)
(73) Assignee: **Baker, Knapp & Tubbs, Inc.**, Hickory, NC (US)

(**) Term: **14 Years**

(21) Appl. No.: **29/345,533**

(22) Filed: **Oct. 16, 2009**

(51) **LOC (9) Cl.** **06-03**

(52) **U.S. Cl.** **D6/486**

(58) **Field of Classification Search** D6/480-489,
D6/495-499, 511, 429-431; 248/188, 188.1,
248/188.8, 440.1; 108/150, 155, 156, 157.1,
108/161

See application file for complete search history.

D389,676 S	1/1998	Diaz-Azcuy	
D395,174 S	6/1998	Diaz-Azcuy	
D403,183 S	* 12/1998	Lewis	D6/486
D411,693 S	6/1999	Navone	
D412,408 S	8/1999	Navone	
D413,448 S	9/1999	Navone	
D421,852 S	3/2000	Tihany	
D421,853 S	3/2000	Black	
D422,156 S	4/2000	Black	
D422,166 S	4/2000	Black	
D422,422 S	4/2000	Black	
D427,814 S	7/2000	Black	
D440,434 S	4/2001	Vanderbyl	
D446,956 S	8/2001	Black	
D460,872 S	7/2002	Diaz-Azcuy	
D461,065 S	8/2002	Diaz-Azcuy	
D461,070 S	8/2002	Diaz-Azcuy	
D461,969 S	8/2002	Diaz-Azcuy	
D466,340 S	12/2002	Diaz-Azcuy	
D495,512 S	9/2004	Diaz-Azcuy	
D501,742 S	* 2/2005	Collins, III	D6/486
D559,596 S	* 1/2008	Matty et al.	D6/511
D562,599 S	* 2/2008	Everson et al.	D6/486
D582,690 S	12/2008	Pheasant	

* cited by examiner

(56) **References Cited**

U.S. PATENT DOCUMENTS

D86,132 S	* 2/1932	Kanter	D6/486
D165,829 S	* 2/1952	Dorr, Jr.	D6/486
D282,889 S	3/1986	Doezema	
D292,458 S	10/1987	Doezema	
D312,540 S	* 12/1990	Rosen	D6/486
D338,359 S	* 8/1993	Sorenson	D6/486
D353,623 S	12/1994	Jones et al.	
D380,095 S	6/1997	Diaz-Azcuy	
D380,307 S	7/1997	Diaz-Azcuy	
D380,308 S	7/1997	Diaz-Azcuy	
D380,309 S	7/1997	Diaz-Azcuy	
D380,311 S	7/1997	Diaz-Azcuy	
D380,312 S	7/1997	Diaz-Azcuy	

Primary Examiner — Janice Seeger

(74) *Attorney, Agent, or Firm* — Merchant & Gould PC

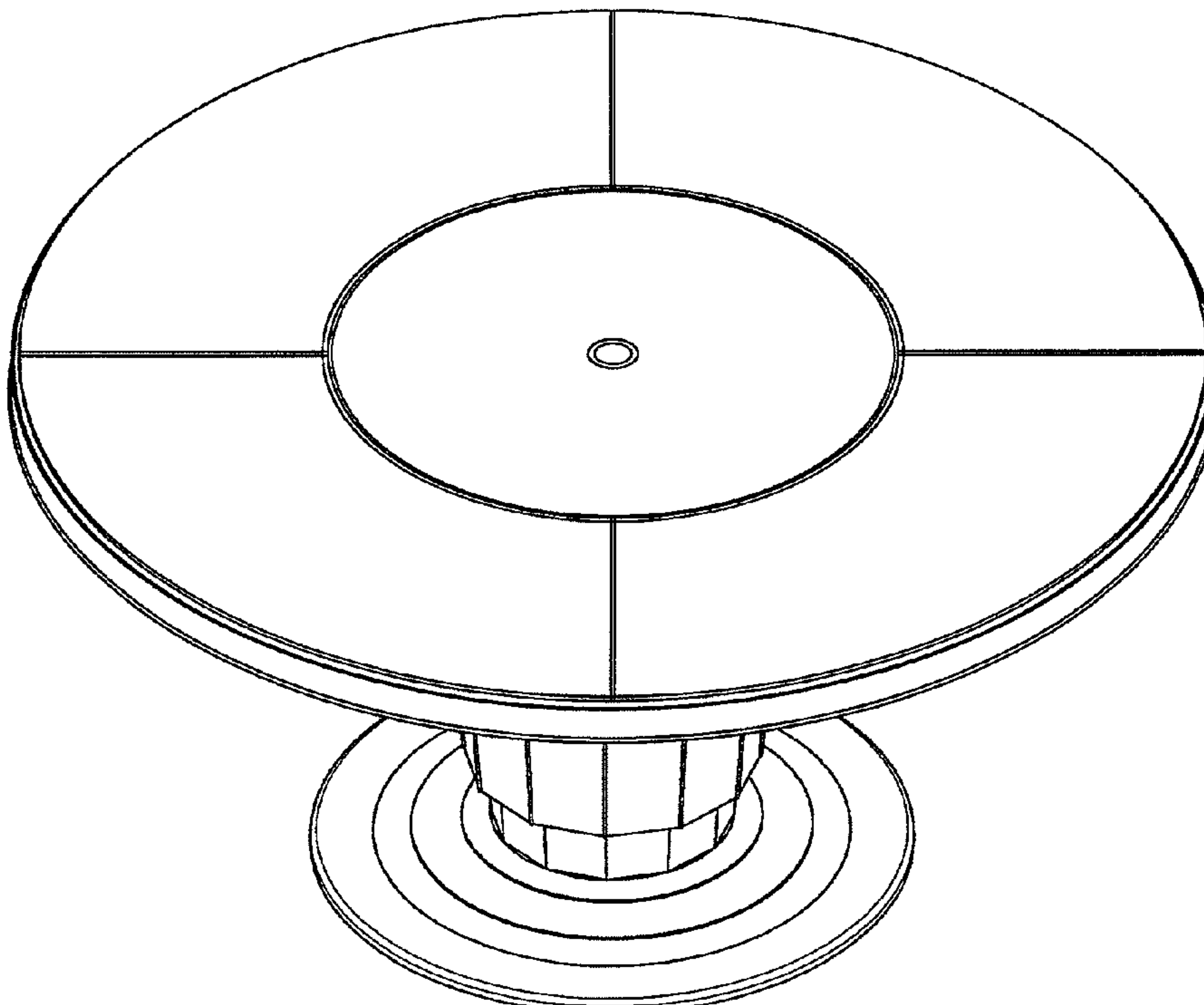
(57) **CLAIM**

The ornamental design for a table, as shown and described.

DESCRIPTION

FIG. 1 is a top plan view of a table showing my new design; FIG. 2 is a side elevational view thereof; and, FIG. 3 is a perspective view thereof.

1 Claim, 3 Drawing Sheets



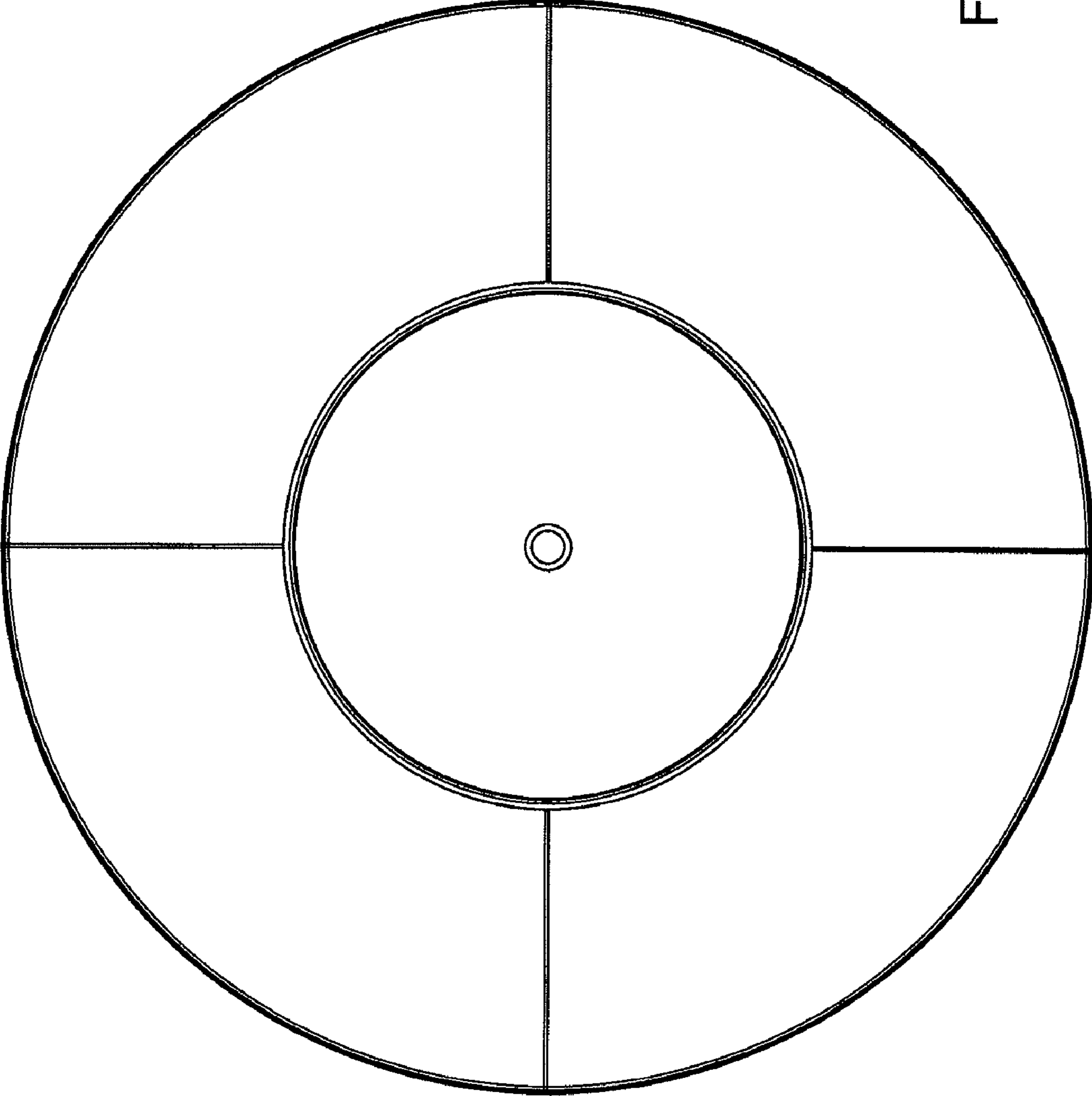


FIG. 1

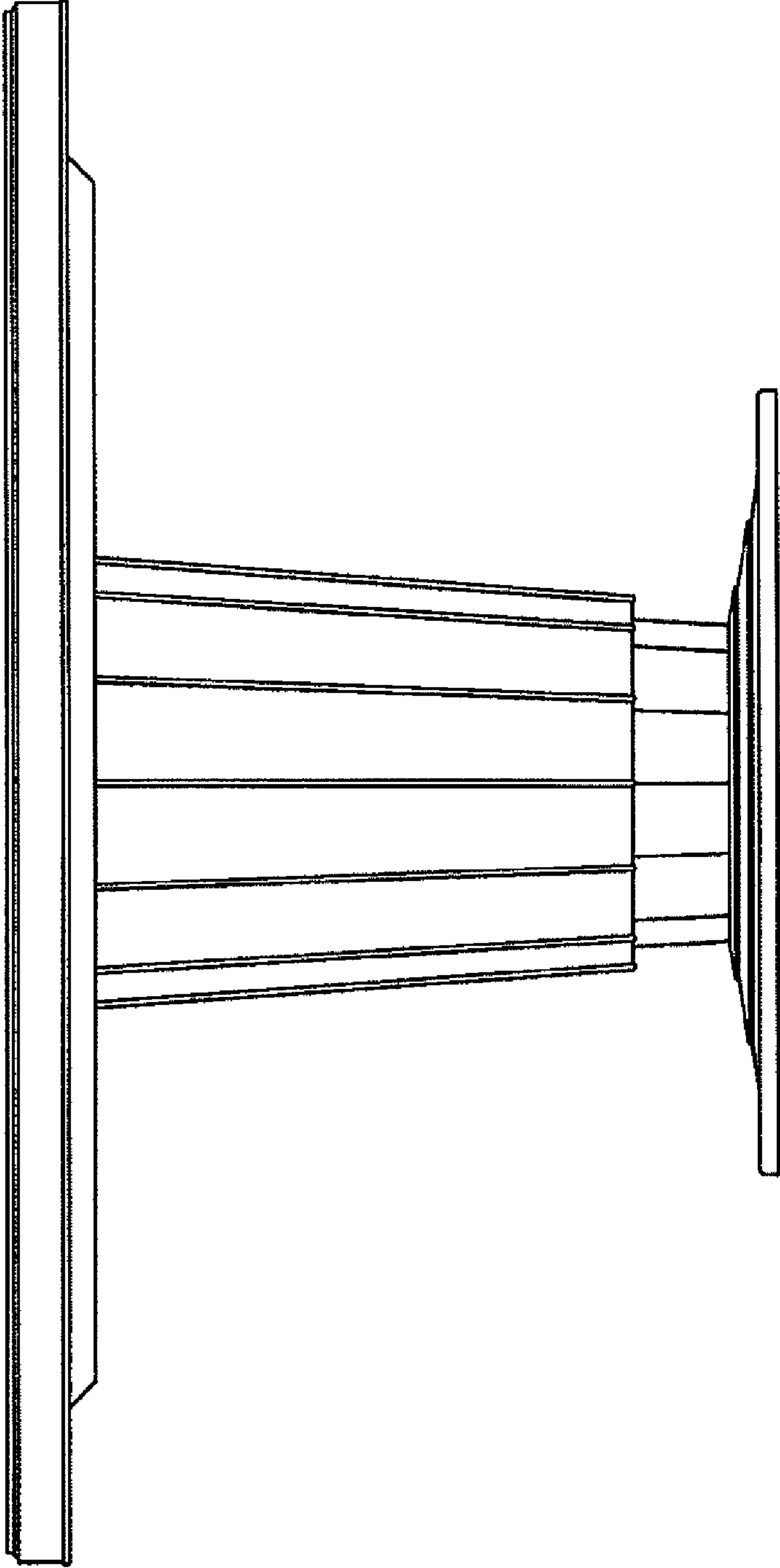


FIG. 2

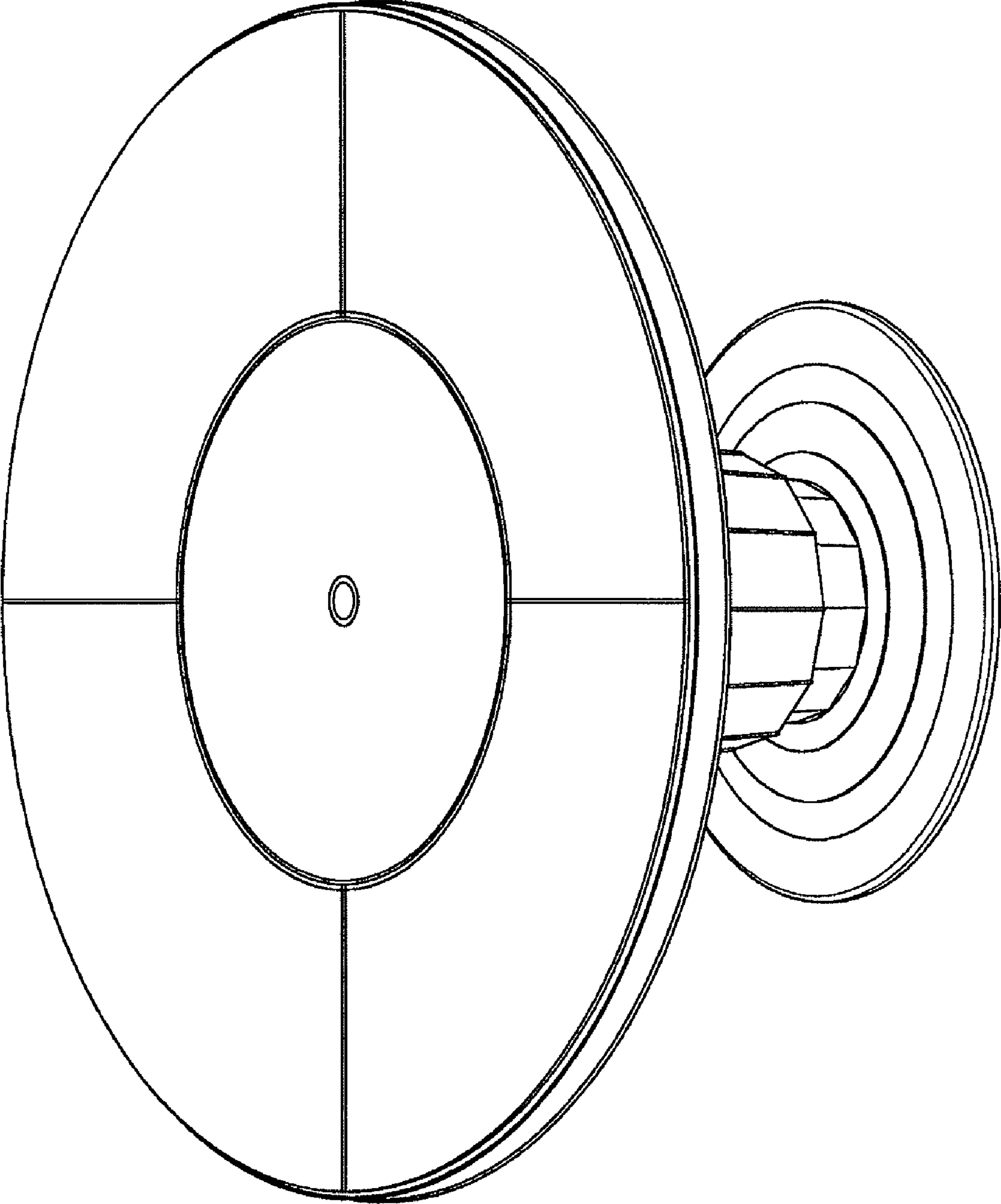


FIG. 3