



US00D659434S

(12) **United States Design Patent**
Sofield

(10) **Patent No.:** **US D659,434 S**

(45) **Date of Patent:** **** May 15, 2012**

(54) **TABLE**

(75) Inventor: **William Sofield**, New York, NY (US)

(73) Assignee: **Baker, Knapp & Tubbs, Inc.**, Hickory, NC (US)

(**) Term: **14 Years**

(21) Appl. No.: **29/399,289**

(22) Filed: **Aug. 11, 2011**

Related U.S. Application Data

(62) Division of application No. 29/345,533, filed on Oct. 16, 2009.

(51) **LOC (9) Cl.** **06-03**

(52) **U.S. Cl.** **D6/484; D6/477**

(58) **Field of Classification Search** D6/480-489,
D6/495-499, 429, 511; 108/150, 153.1,
108/156, 157.1, 161; 248/188, 188.1, 188.7,
248/188.8

See application file for complete search history.

(56) **References Cited**

U.S. PATENT DOCUMENTS

D121,062 S * 6/1940 Bach D6/477
D263,909 S * 4/1982 Adkinson D6/480
D508,336 S * 8/2005 Suzuki et al. D6/349

* cited by examiner

Primary Examiner — Janice Seeger

(74) *Attorney, Agent, or Firm* — Merchant & Gould PC

(57) **CLAIM**

The ornamental design for a table, as shown and described.

DESCRIPTION

FIG. 1 is a perspective view of a table showing my new design;

FIG. 2 is a front elevational view thereof, a rear elevational view not being shown as it is a mirror image thereof;

FIG. 3 is a right side elevational view thereof, a left side elevational view not being shown as it is a mirror image thereof; and,

FIG. 4 is a top plan view thereof.

1 Claim, 4 Drawing Sheets

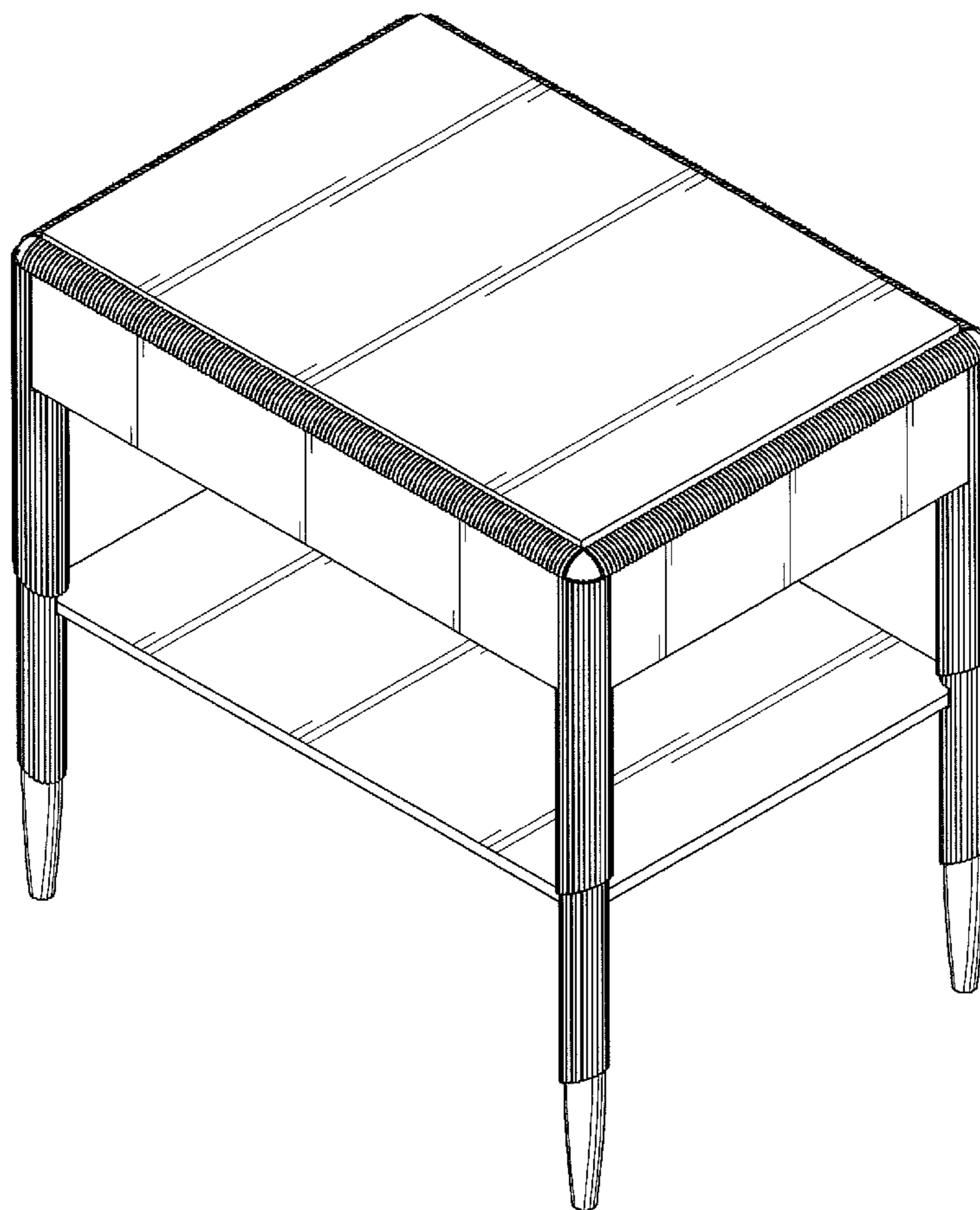
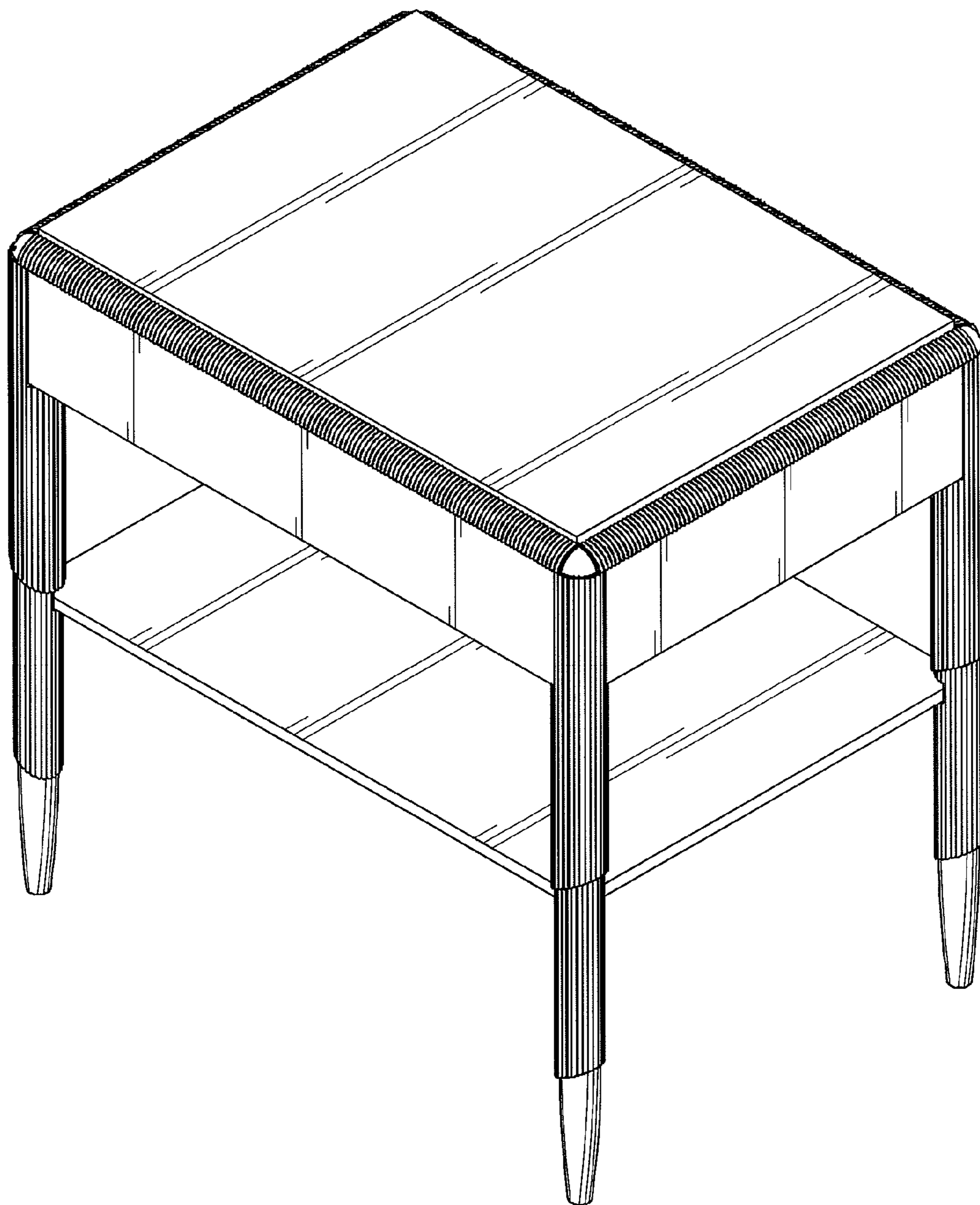


FIG. 1



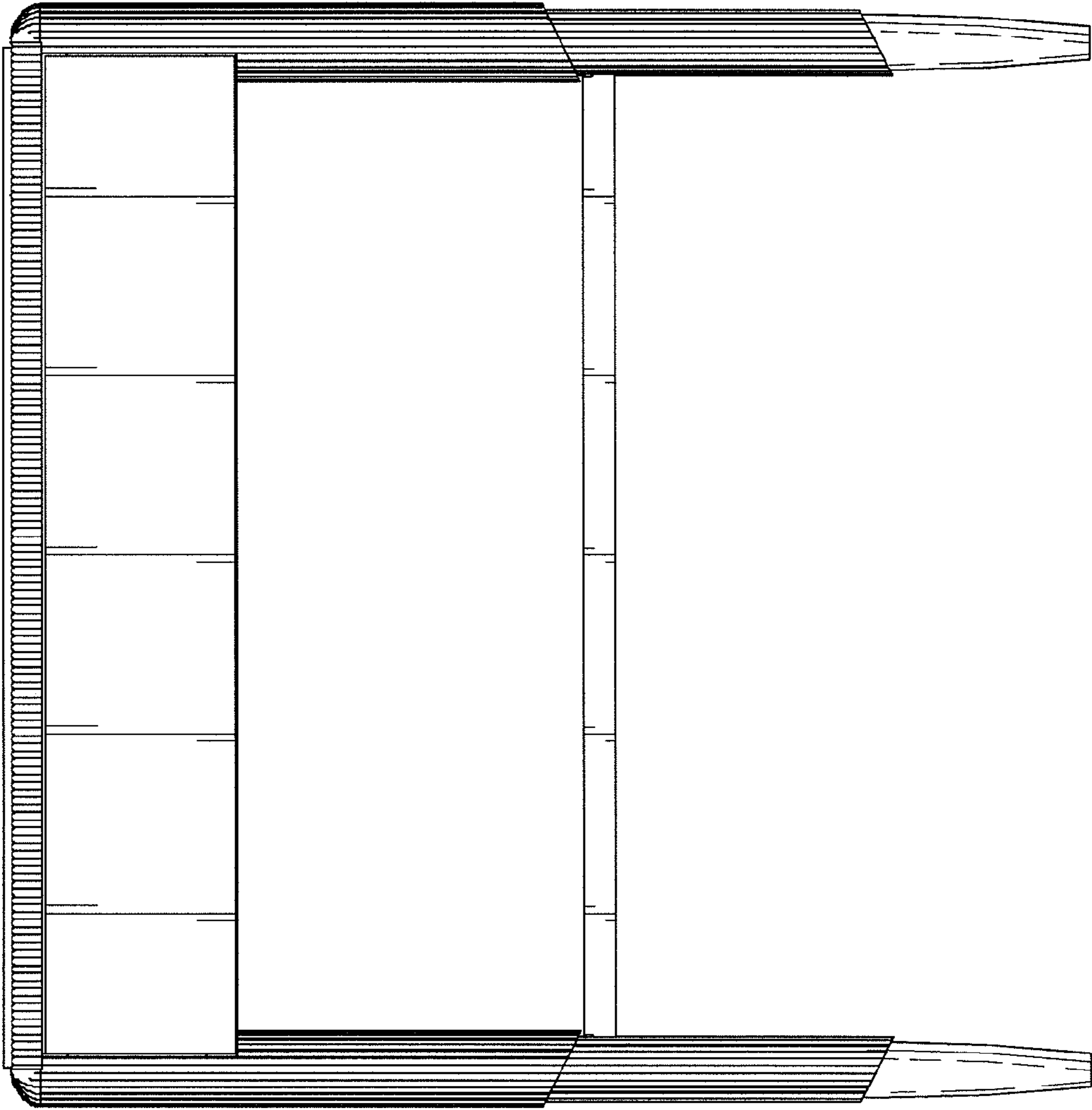


FIG. 2

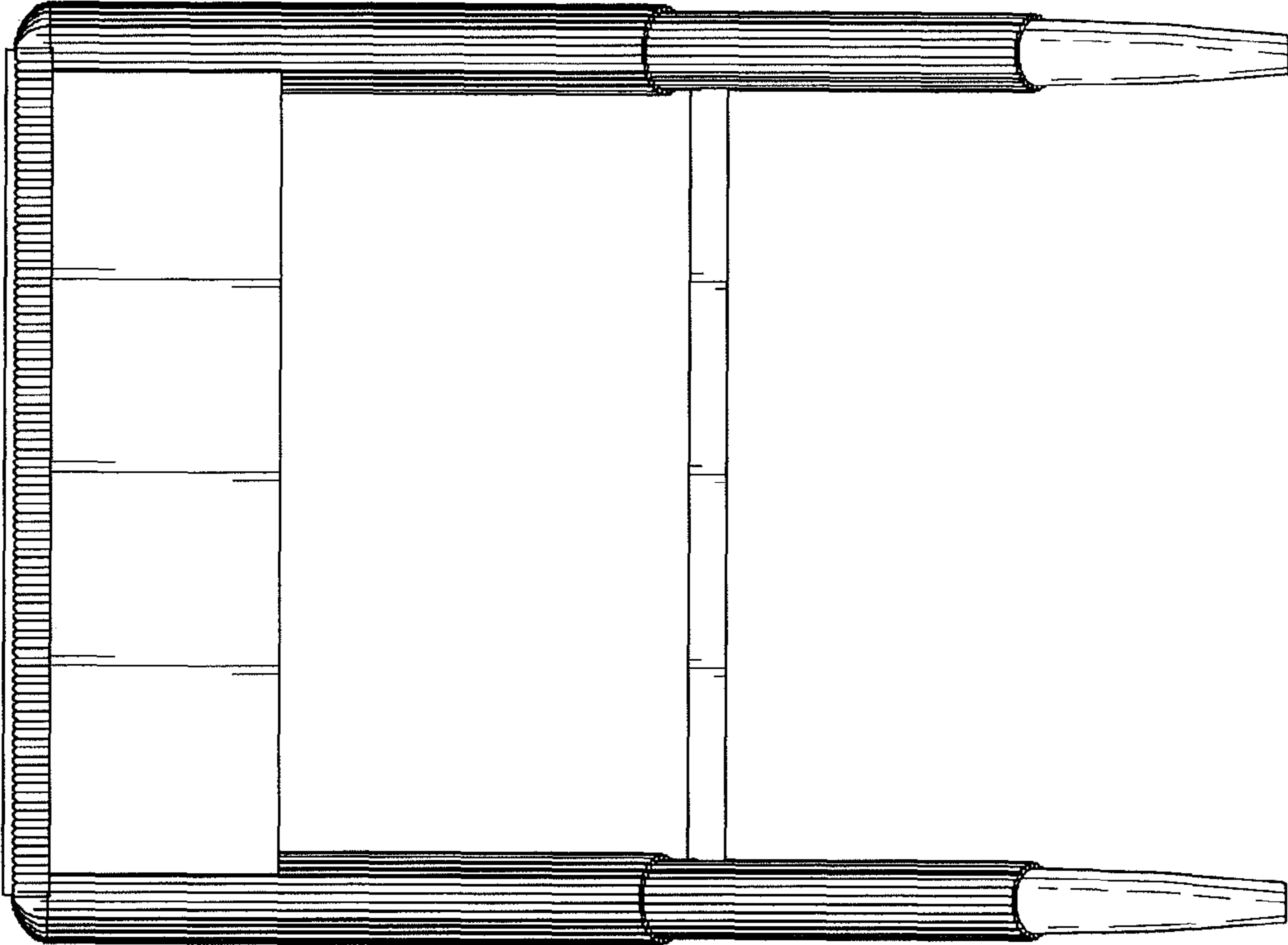


FIG. 3

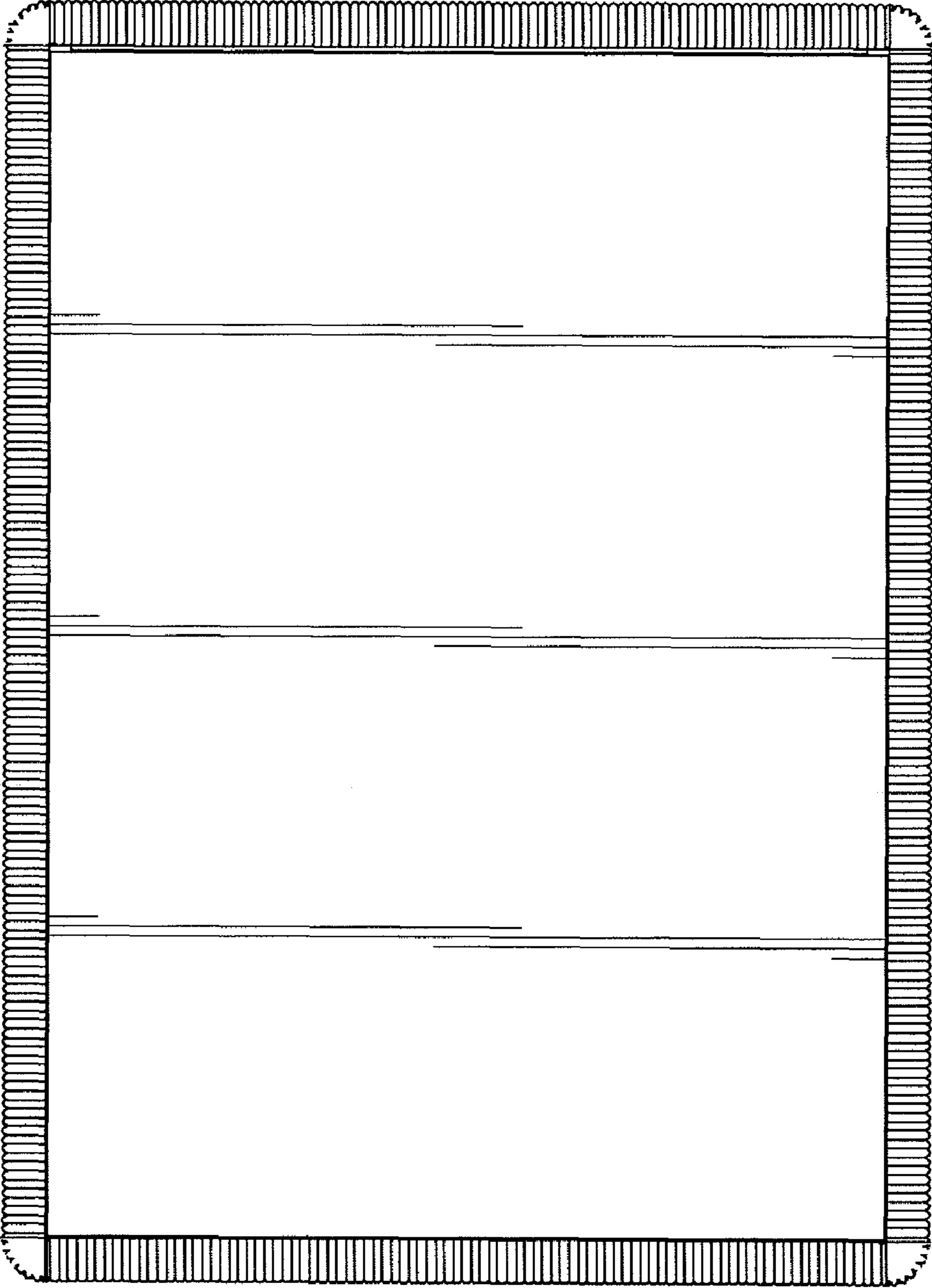


FIG. 4