



US00D659429S

(12) **United States Design Patent**  
**Mendoza**

(10) **Patent No.:** **US D659,429 S**  
(45) **Date of Patent:** **\*\* May 15, 2012**

(54) **PAIR OF DISPLAY BRACKETS FOR BOARDS**

(76) Inventor: **Eric Mendoza**, Gilbert, AZ (US)

(\*\*) Term: **14 Years**

(21) Appl. No.: **29/393,991**

(22) Filed: **Jun. 10, 2011**

(51) **LOC (9) Cl.** ..... **06-04**

(52) **U.S. Cl.** ..... **D6/449**

(58) **Field of Classification Search** ..... D6/449,  
D6/450, 411, 492, 491, 467, 414, 436, 462;  
211/135, 153, 40, 204, 205, 206, 85.3, 123,  
211/85.5; 248/188, 188.1; D20/40  
See application file for complete search history.

(56) **References Cited**

**U.S. PATENT DOCUMENTS**

D134,528 S *	12/1942	Huber	.....	D6/449
D141,790 S *	7/1945	Sacoder	.....	D6/449
D252,123 S *	6/1979	Searcy	.....	D6/450
D289,585 S *	5/1987	Lord	.....	D6/414
D338,575 S *	8/1993	Takaya et al.	.....	D6/467
D410,807 S *	6/1999	Fear et al.	.....	D6/492
D445,837 S *	7/2001	Waterhouse	.....	D20/40
D466,331 S *	12/2002	Chang	.....	D6/411
D532,994 S *	12/2006	Rice	.....	D6/467
D553,874 S *	10/2007	Orlando	.....	D6/411

\* cited by examiner

*Primary Examiner* — Cynthia M Chin

*Assistant Examiner* — Sydney Buffalow

(74) *Attorney, Agent, or Firm* — QuickPatents, Inc.; Kevin Prince

(57) **CLAIM**

I claim the ornamental design for a pair of display brackets for boards, as shown and described.

**DESCRIPTION**

FIG. 1 is a perspective view of a pair of display brackets for boards, showing a single board in broken lines, of my new design;

FIG. 2 is a left-side elevational view of one of the display brackets of FIG. 1, it being understood that the other display bracket is a mirror image thereof and omitted for clarity of illustration;

FIG. 3 is a right-side elevational view of FIG. 2;

FIG. 4 is a front elevational view of FIG. 2;

FIG. 5 is a rear elevational view of FIG. 2;

FIG. 6 is a top plan view of FIG. 2;

FIG. 7 is a bottom plan view of FIG. 2;

FIG. 8 is a perspective view of a second embodiment of a pair of display brackets for boards, showing a double board in broken lines;

FIG. 9 is a left-side elevational view of one of the display brackets of FIG. 8, it being understood that the other display bracket is a mirror image thereof and omitted for clarity of illustration;

FIG. 10 is a right-side elevational view of FIG. 9;

FIG. 11 is a front elevational view of FIG. 9;

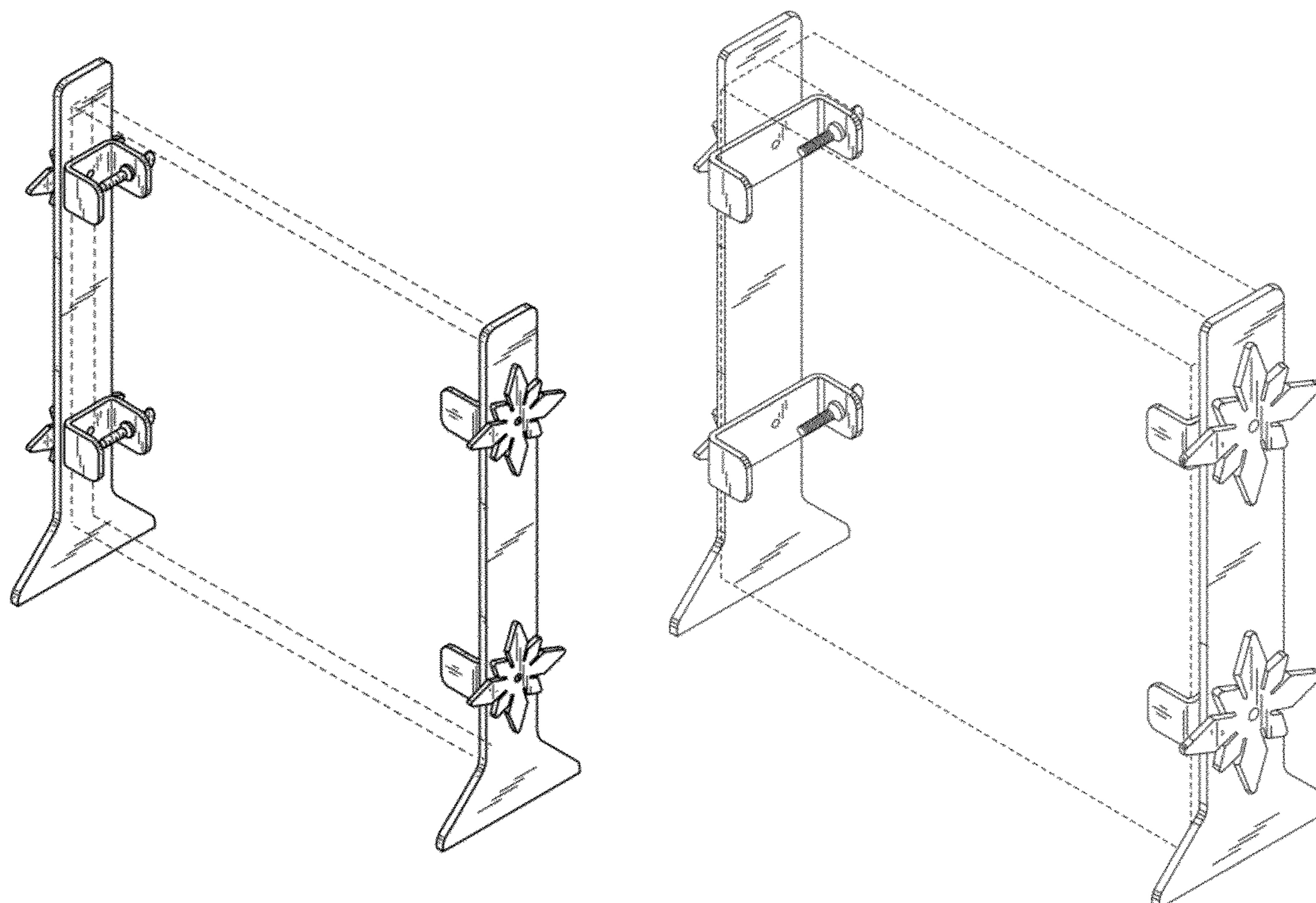
FIG. 12 is a rear elevational view of FIG. 9;

FIG. 13 is a top plan view of FIG. 9; and,

FIG. 14 is a bottom plan view of FIG. 9.

The broken lines showing a board in FIG. 1 and two boards in FIG. 8 depict environmental matter and form no part of the claimed design.

**1 Claim, 6 Drawing Sheets**



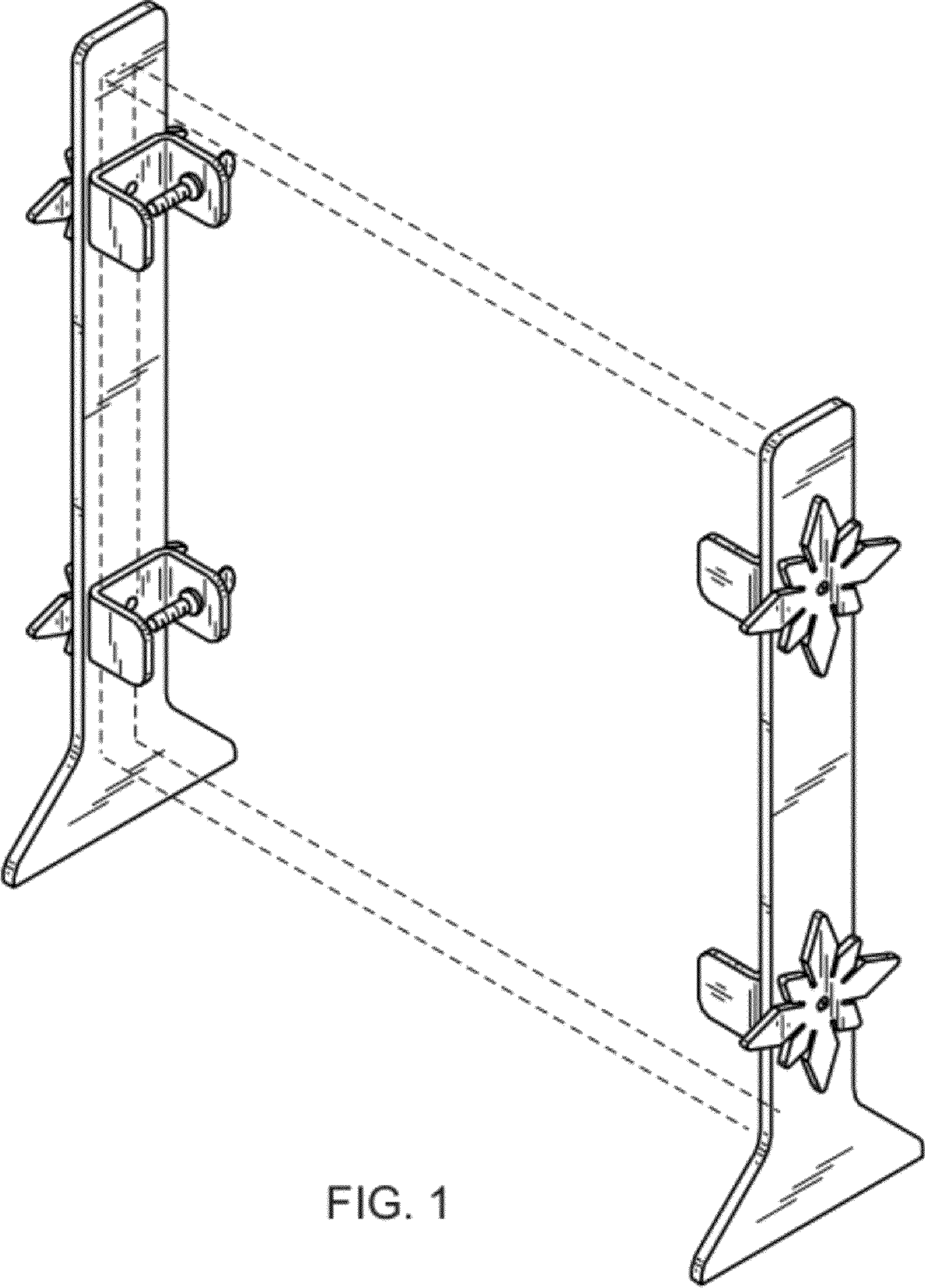


FIG. 1

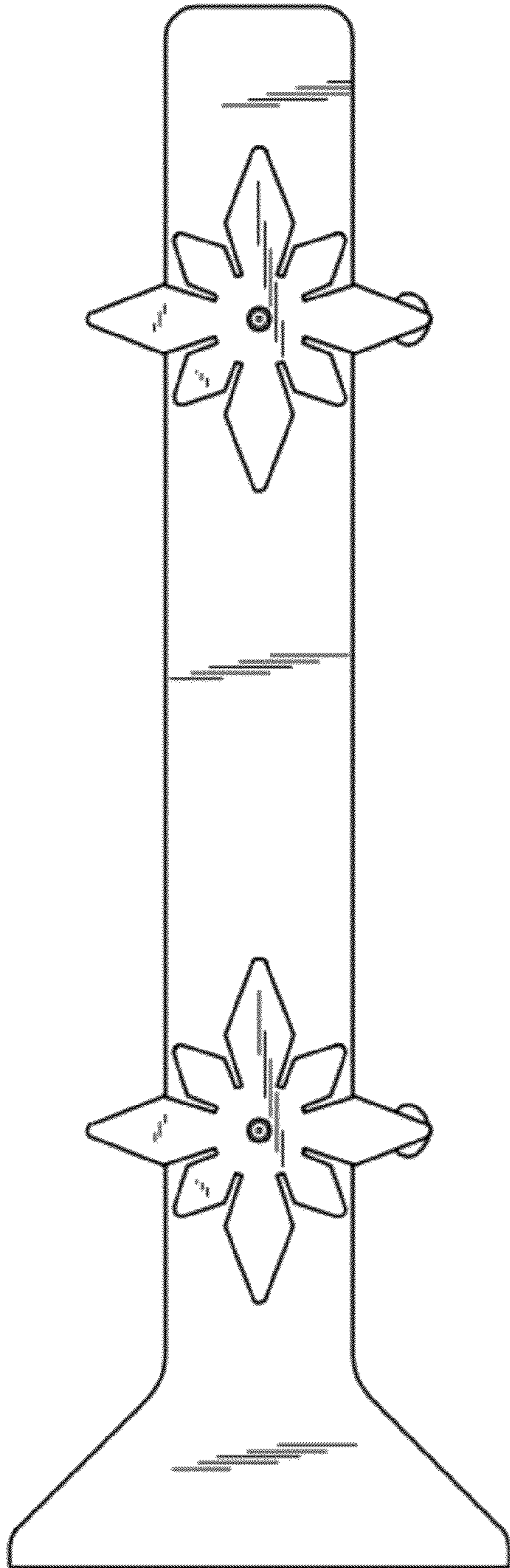


FIG. 2

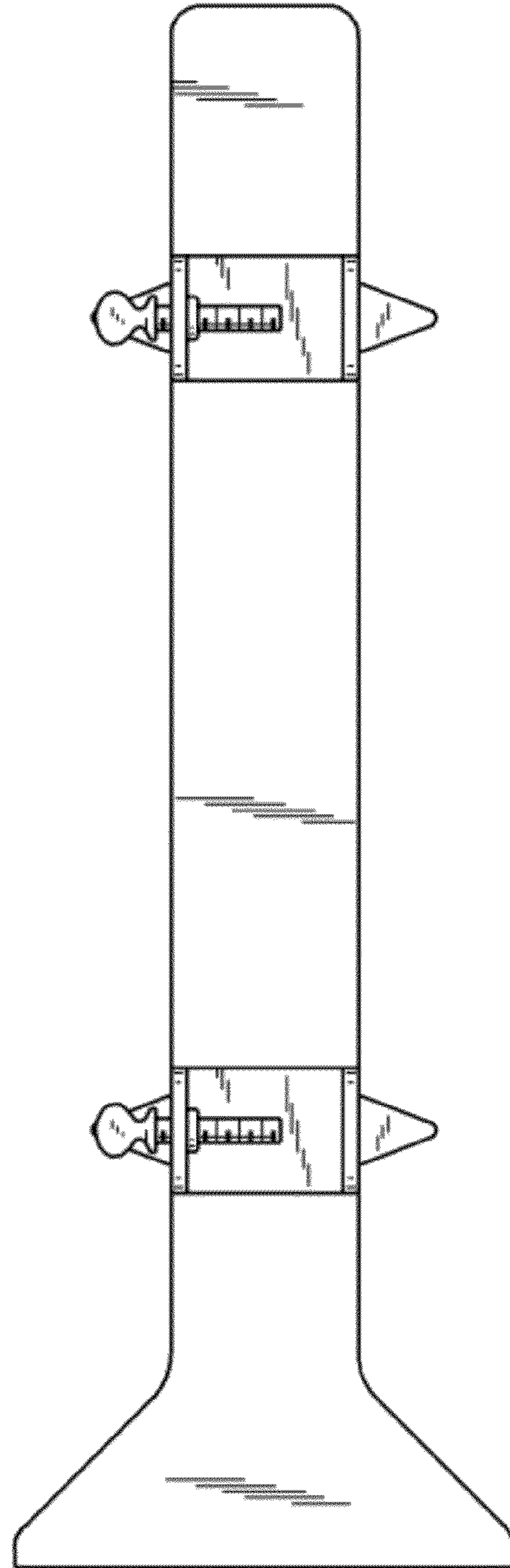


FIG. 3

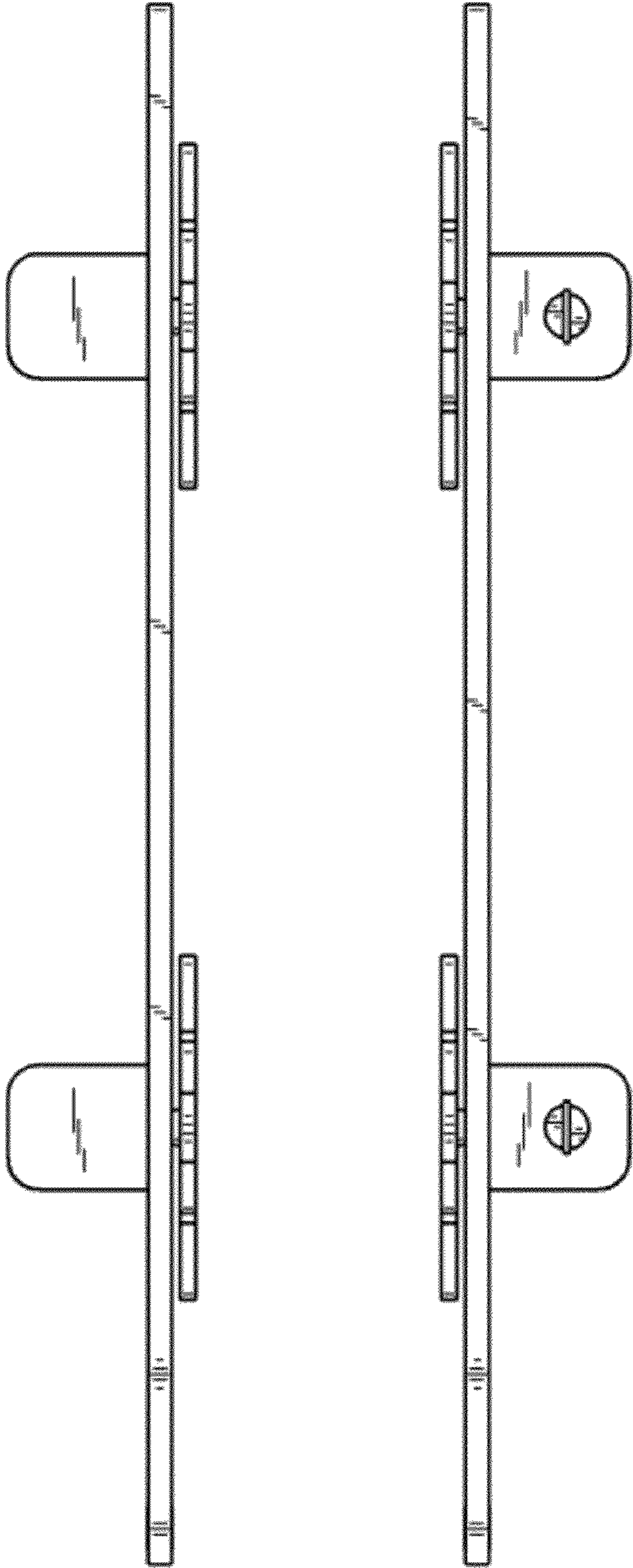


FIG. 4

FIG. 5

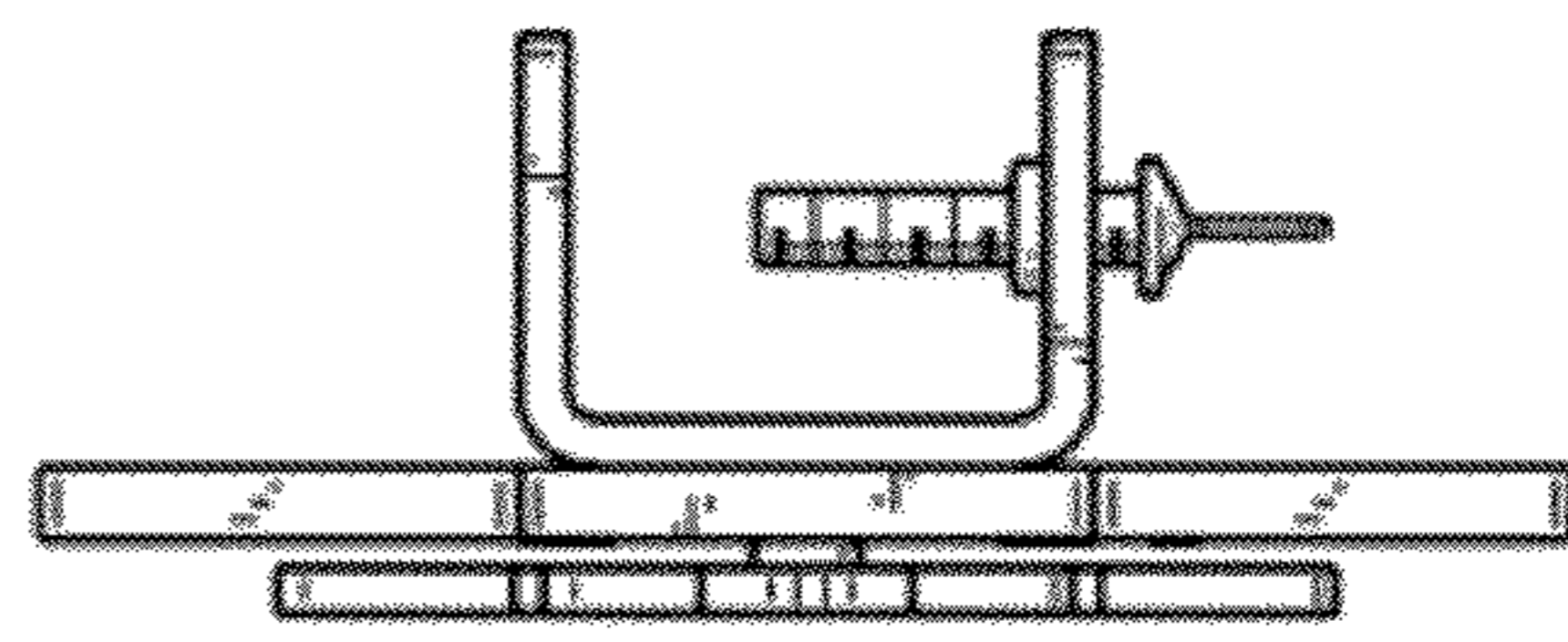


FIG. 6

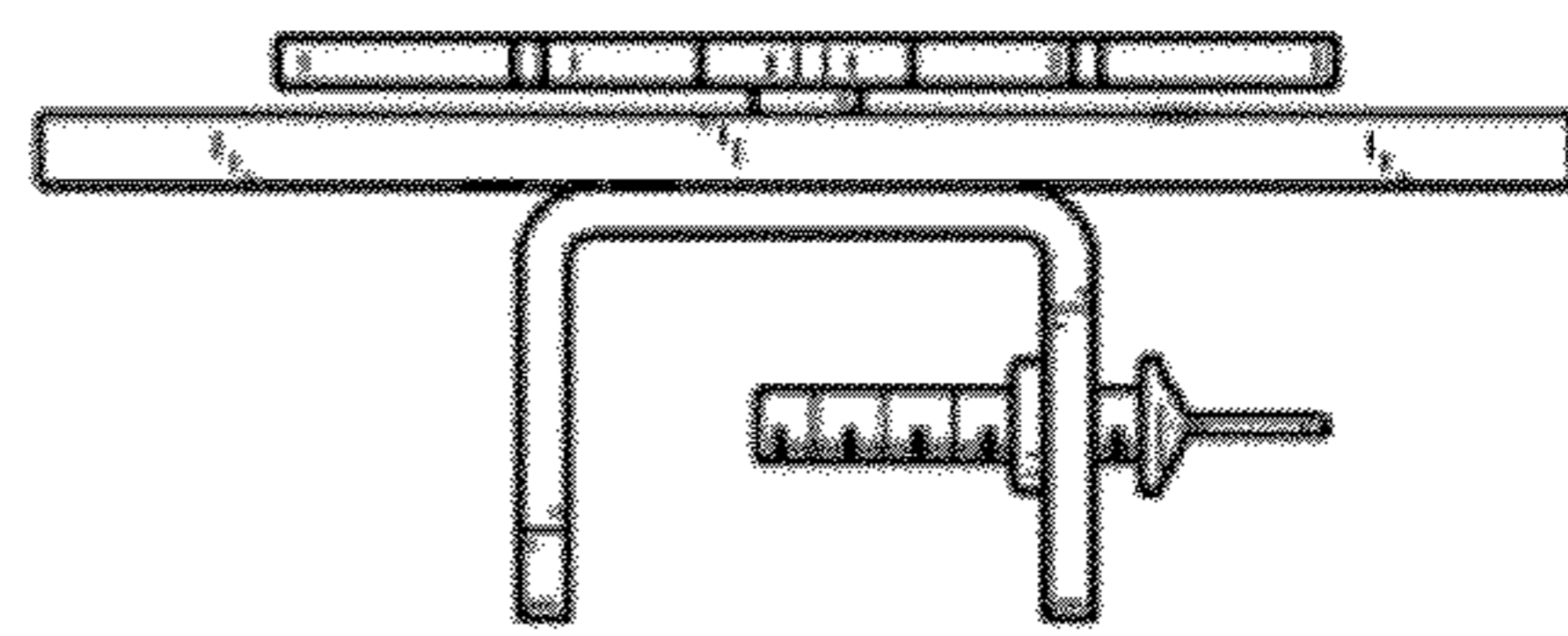


FIG. 7

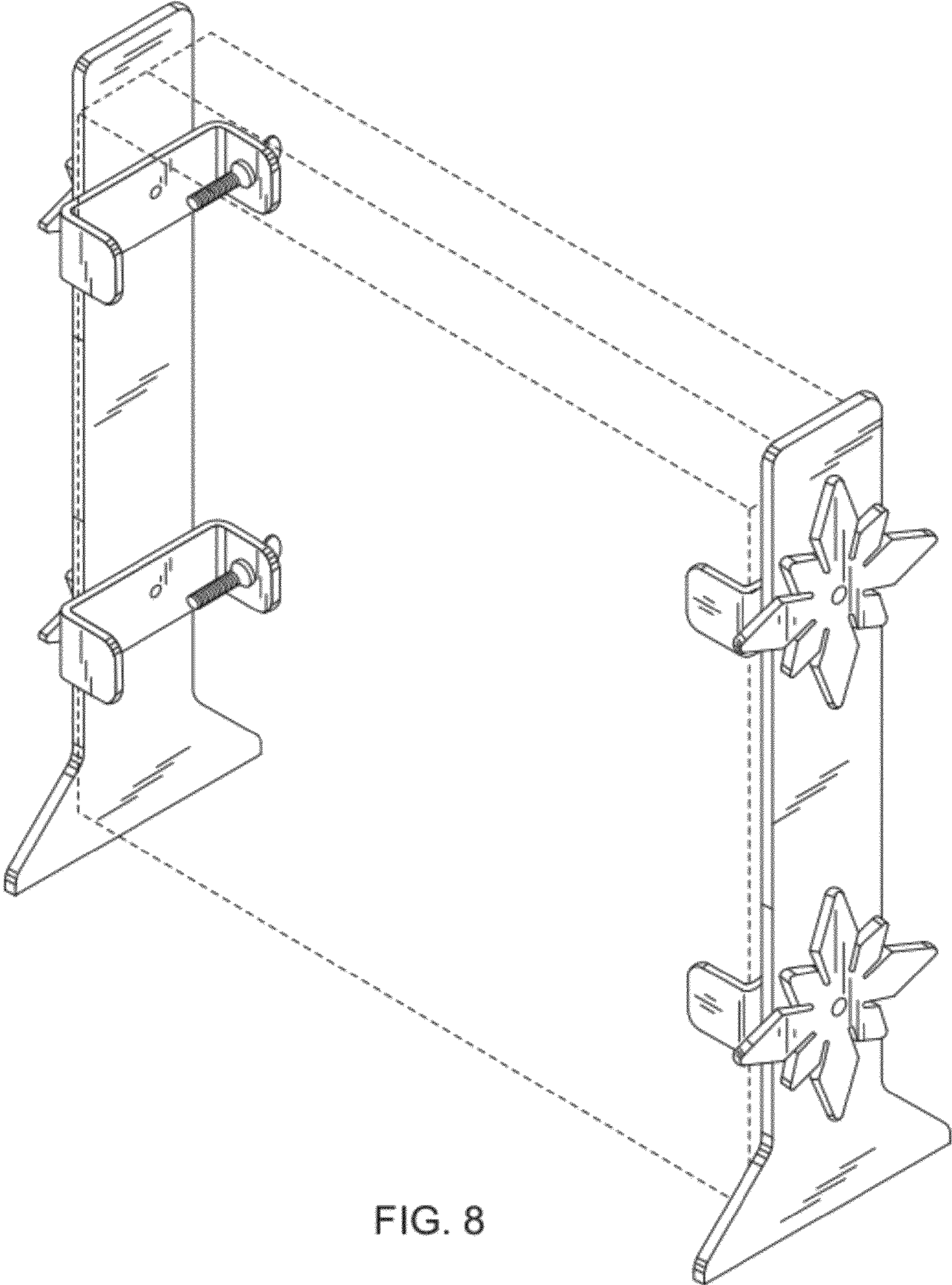


FIG. 8

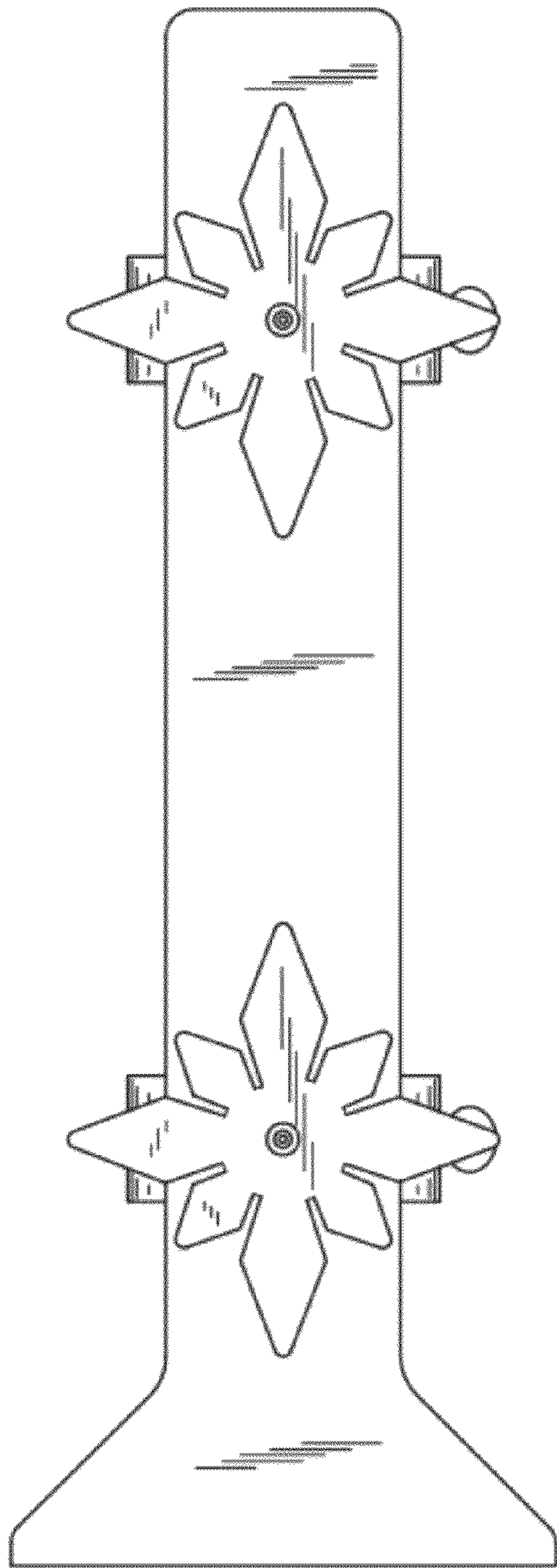


FIG. 9

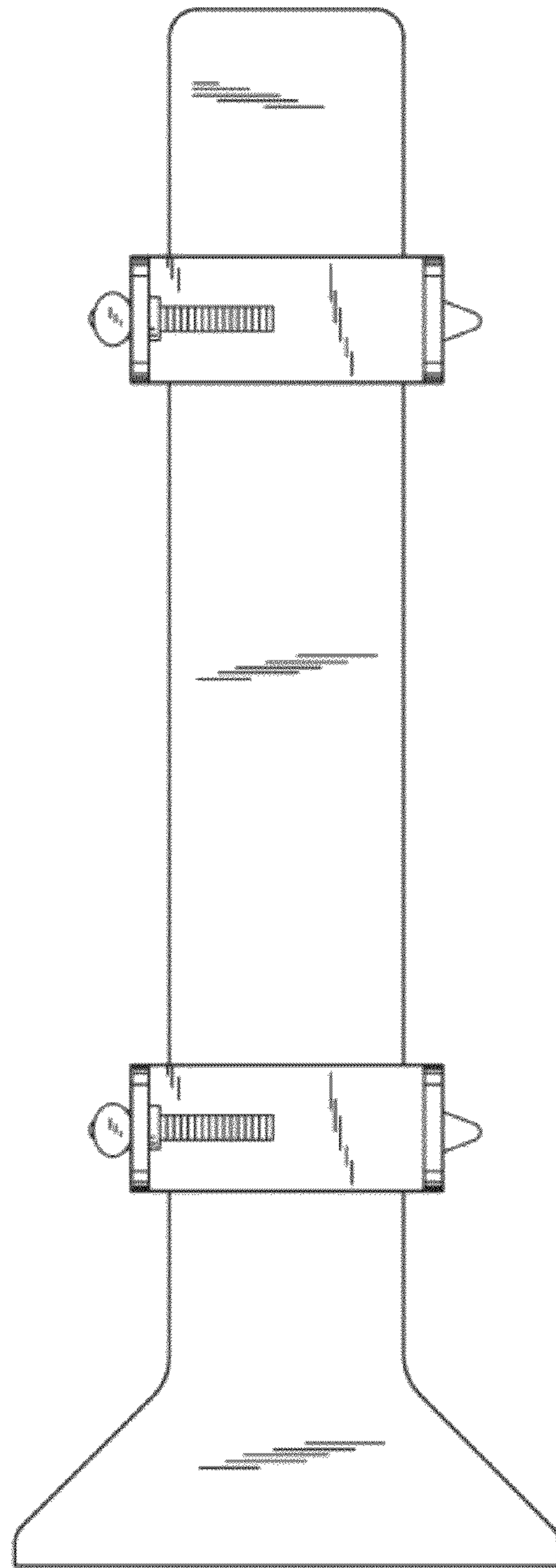


FIG. 10

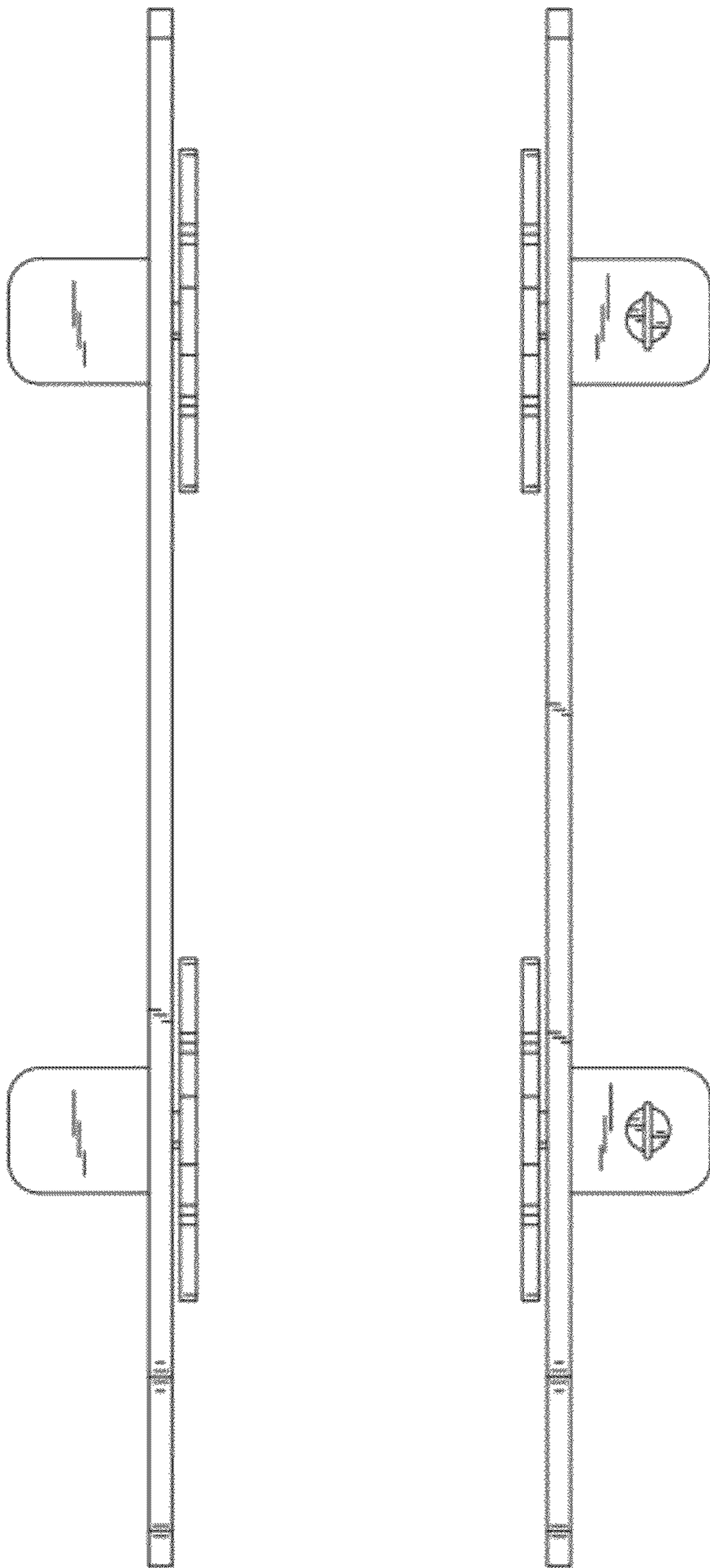


FIG. 11

FIG. 12

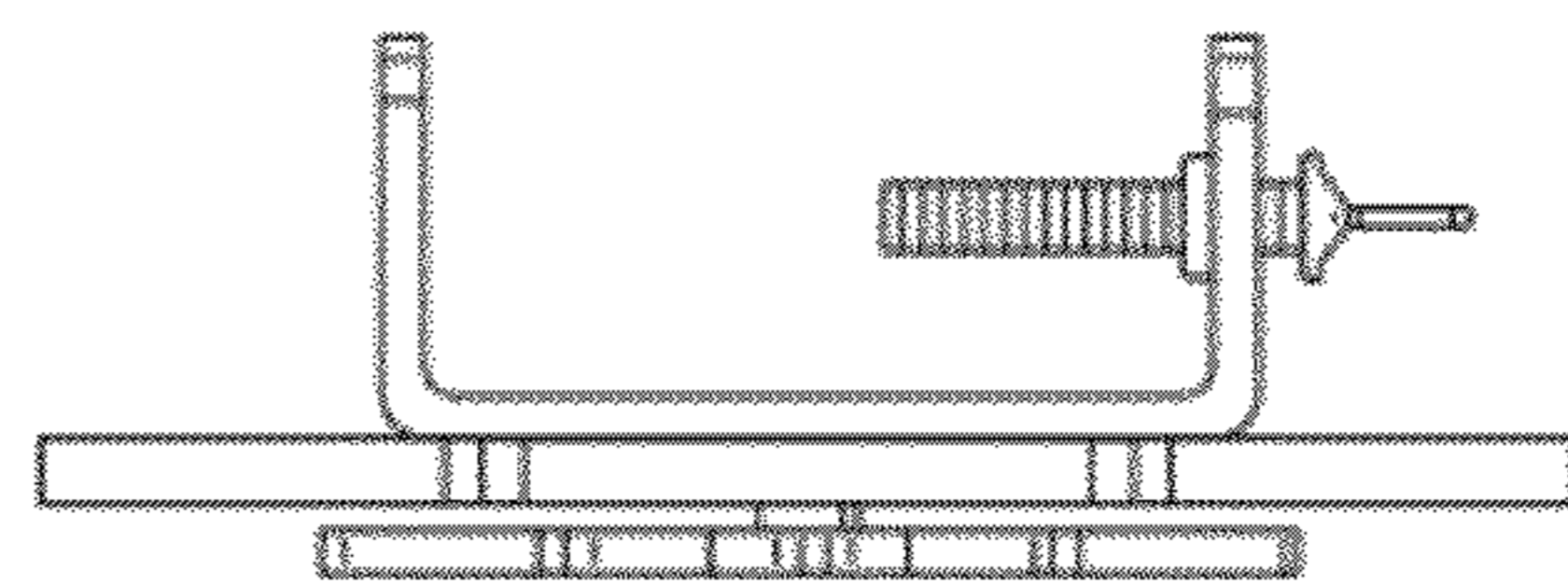


FIG. 13

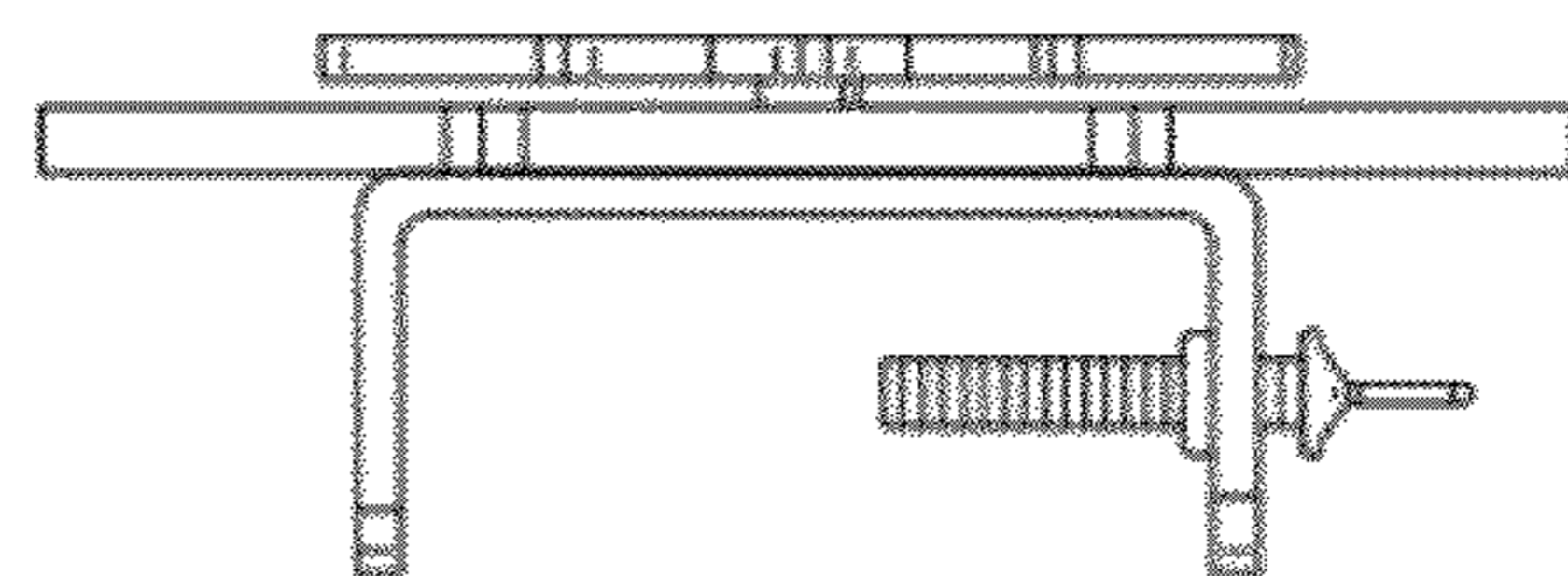


FIG. 14