



US00D659428S

(12) **United States Design Patent**  
**Nicolas et al.**

(10) **Patent No.:** **US D659,428 S**

(45) **Date of Patent:** **\*\* May 15, 2012**

(54) **WORK STATION**

(56) **References Cited**

(75) Inventors: **Gwenael Nicolas**, Tokyo (JP); **Toshihiro Kawasaki**, Tokyo (JP); **Yoshimasa Kato**, Osaka (JP)

U.S. PATENT DOCUMENTS

D137,662 S *	4/1944	Stark .....	D6/479
D171,431 S *	2/1954	Villaudy .....	D21/370
3,462,855 A *	8/1969	Cornish .....	434/222
4,237,796 A *	12/1980	Gordon et al. ....	108/22
6,170,926 B1 *	1/2001	Roberts et al. ....	312/194

\* cited by examiner

(73) Assignee: **Kokuyo Co., Ltd.**, Osaka (JP)

*Primary Examiner* — Janice Seeger

(\*\*) Term: **14 Years**

(74) *Attorney, Agent, or Firm* — Dennis R. Haszko

(21) Appl. No.: **29/396,344**

(57) **CLAIM**

The ornamental design for a work station, as shown and described.

(22) Filed: **Jun. 29, 2011**

**DESCRIPTION**

(30) **Foreign Application Priority Data**

Apr. 5, 2011 (JP) ..... 2011-007810

(51) **LOC (9) Cl.** ..... **06-04**

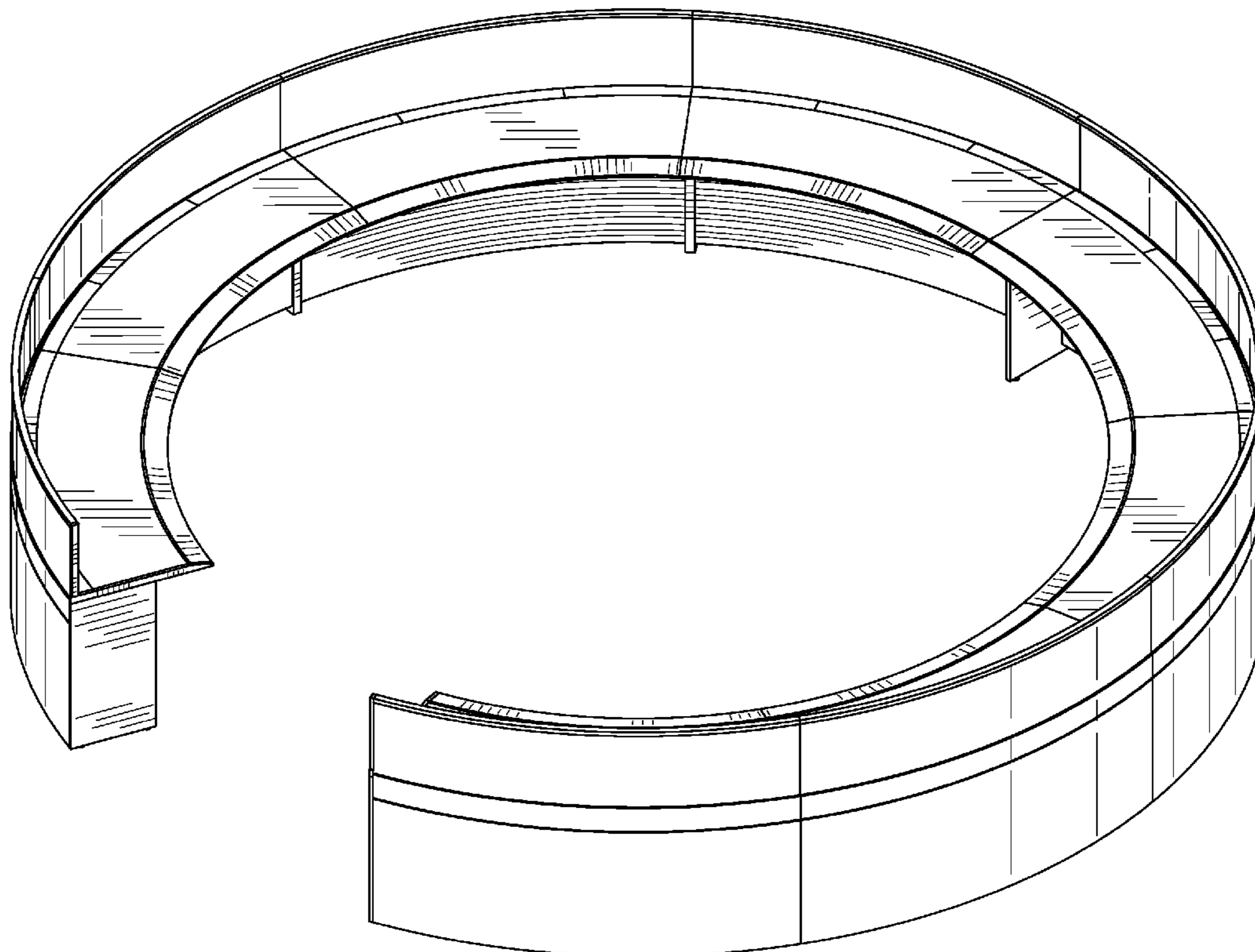
(52) **U.S. Cl.** ..... **D6/421; D6/423; D6/481**

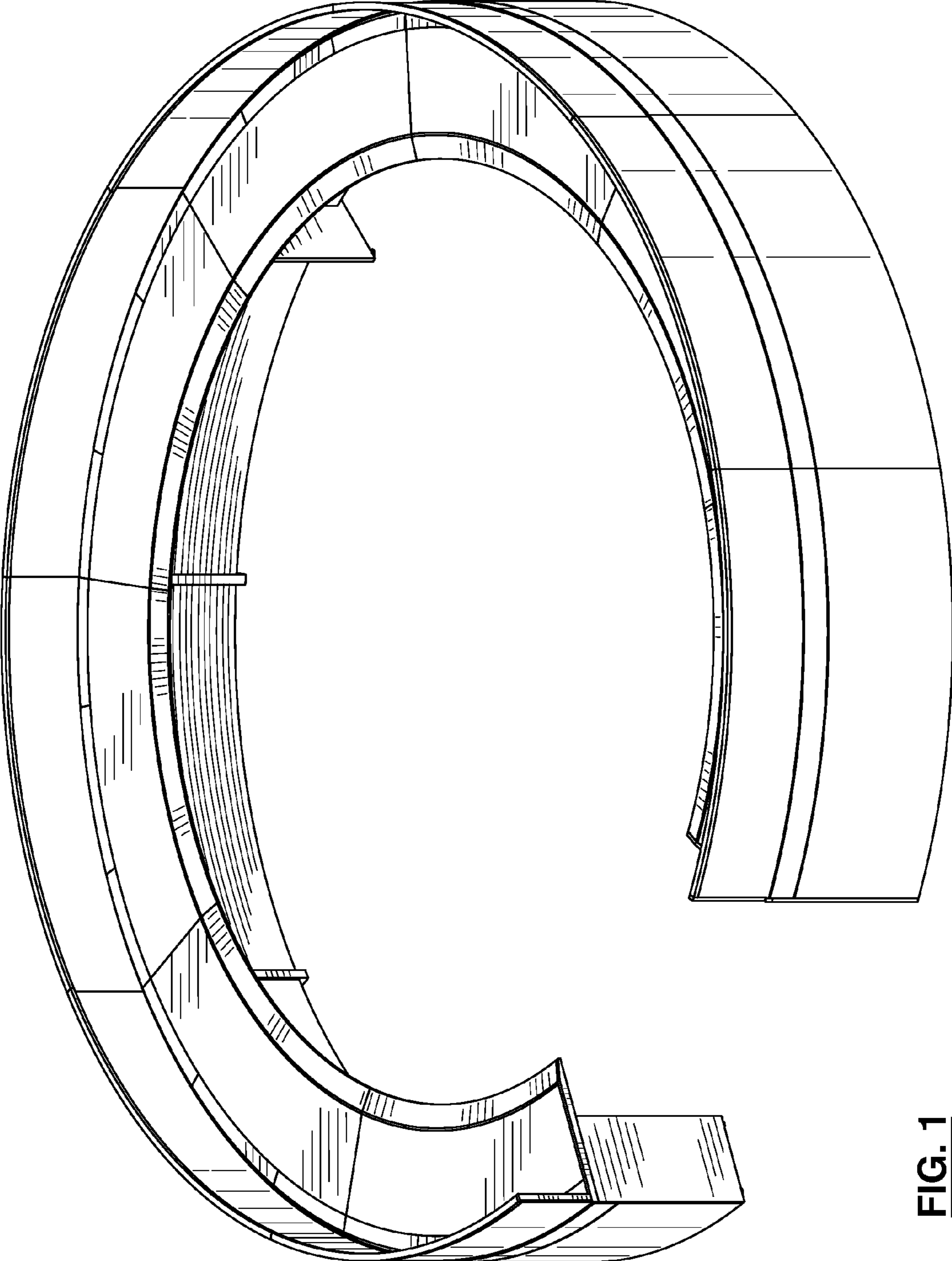
(58) **Field of Classification Search** ..... D6/421-427,  
D6/481; 312/194-196, 208.1, 239, 237;  
108/50.01, 50.02, 64, 65; D25/16

FIG. 1 is a front perspective view of the design;  
 FIG. 2 is a rear perspective view of the design;  
 FIG. 3 is a front view of the design;  
 FIG. 4 is a rear view of the design;  
 FIG. 5 is a top view of the design;  
 FIG. 6 is a bottom view of the design;  
 FIG. 7 is a right side view of the design;  
 FIG. 8 is a section view along 8-8 in FIG. 3;  
 FIG. 9 is a local section view along 9-9 in FIG. 5; and,  
 FIG. 10 is a right side view showing a modified form of the design in which upper panels of the design are transparent.

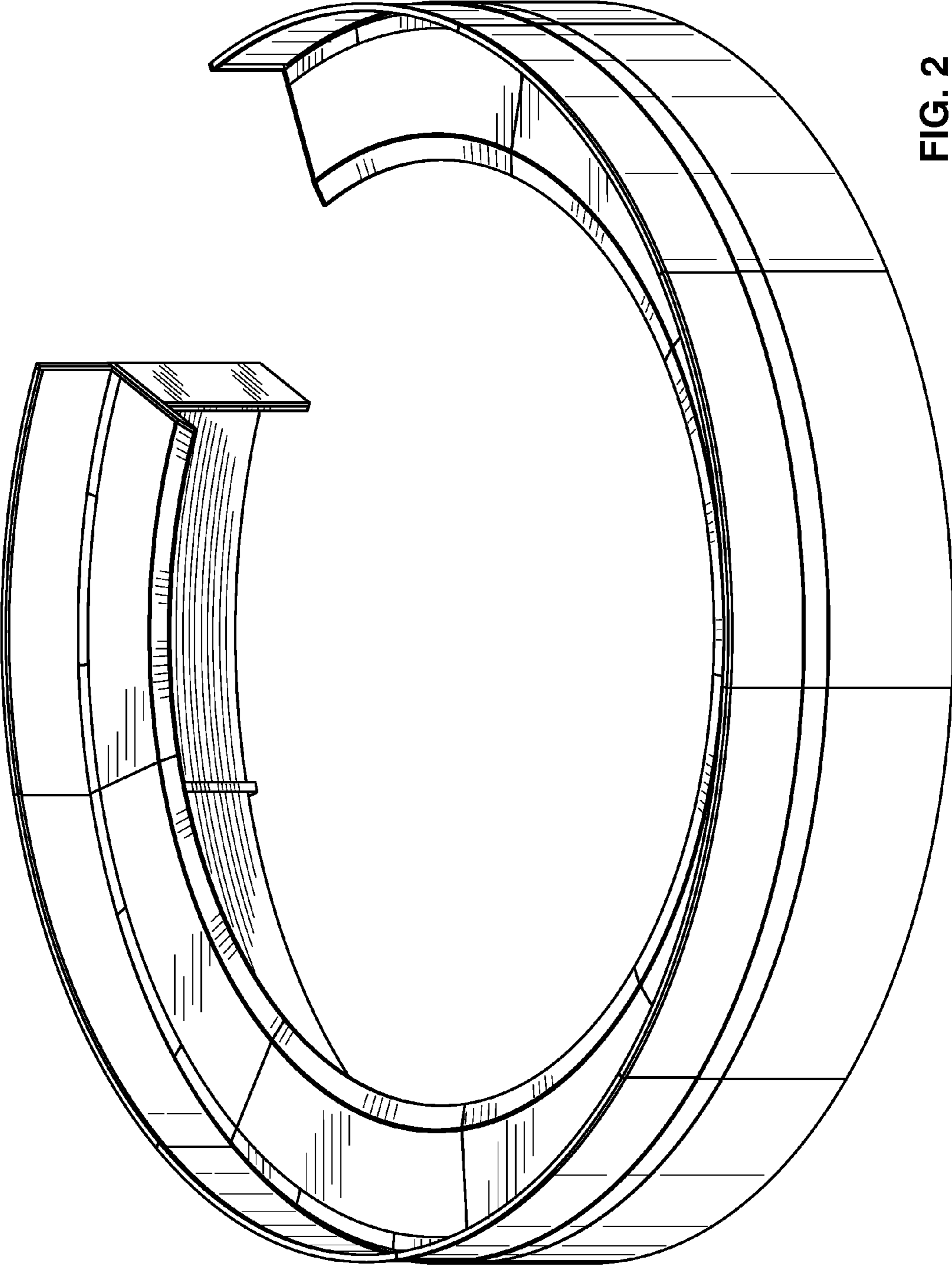
See application file for complete search history.

**1 Claim, 10 Drawing Sheets**

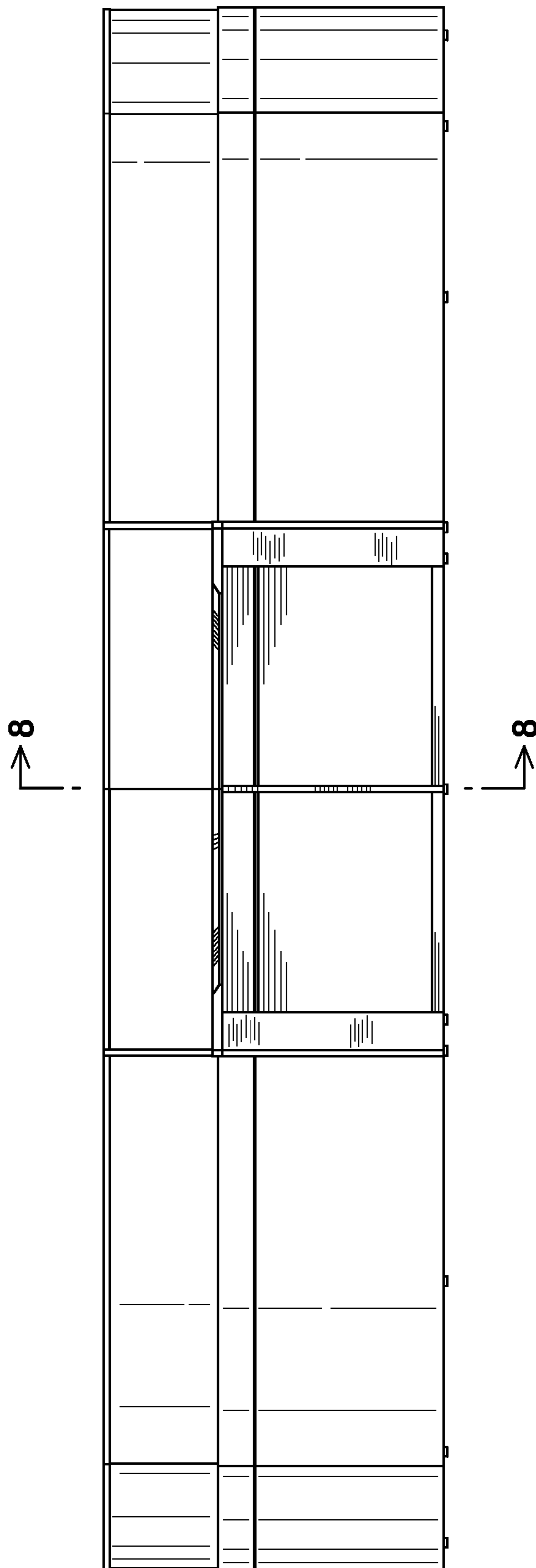




**FIG. 1**



**FIG. 2**



**FIG. 3**

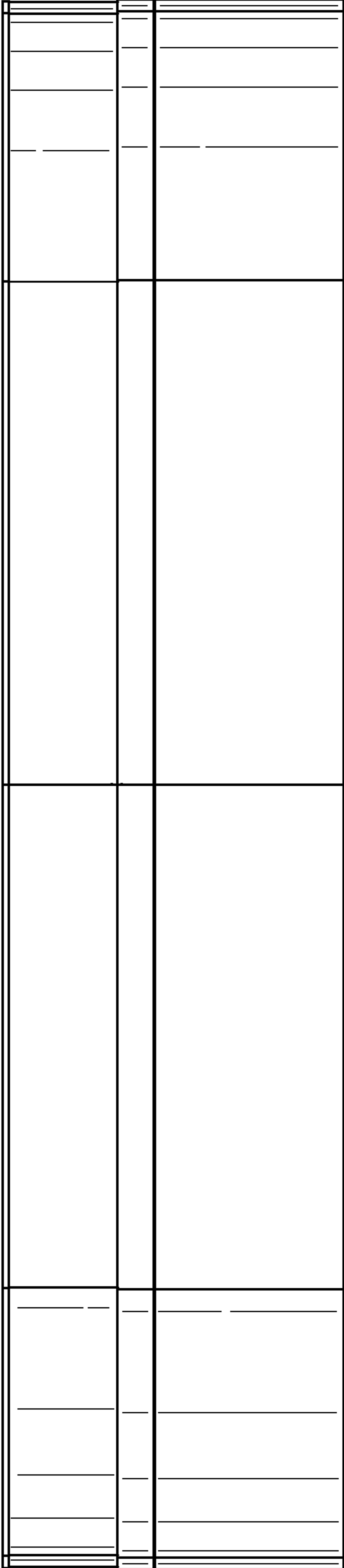
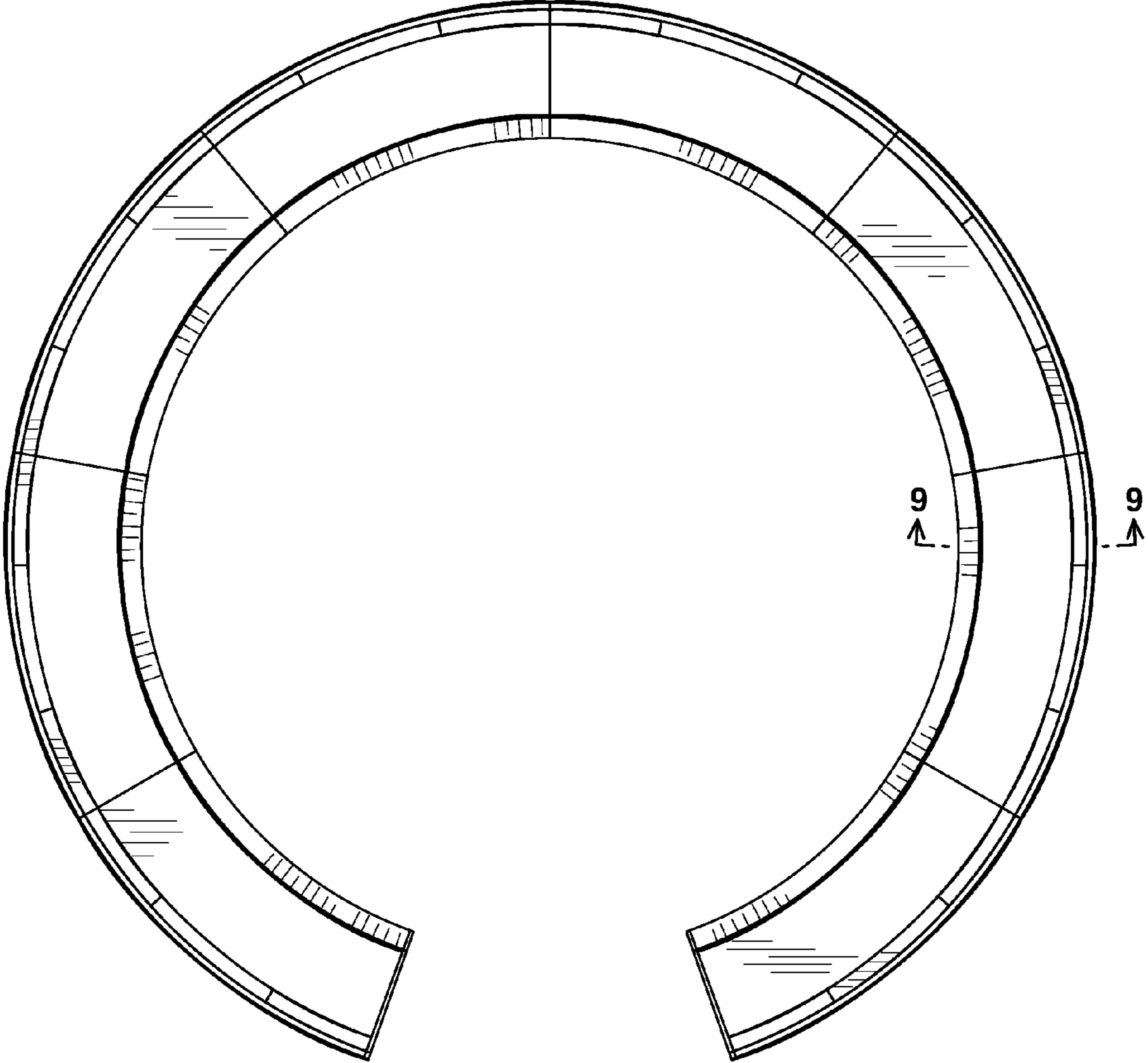


FIG. 4



**FIG. 5**

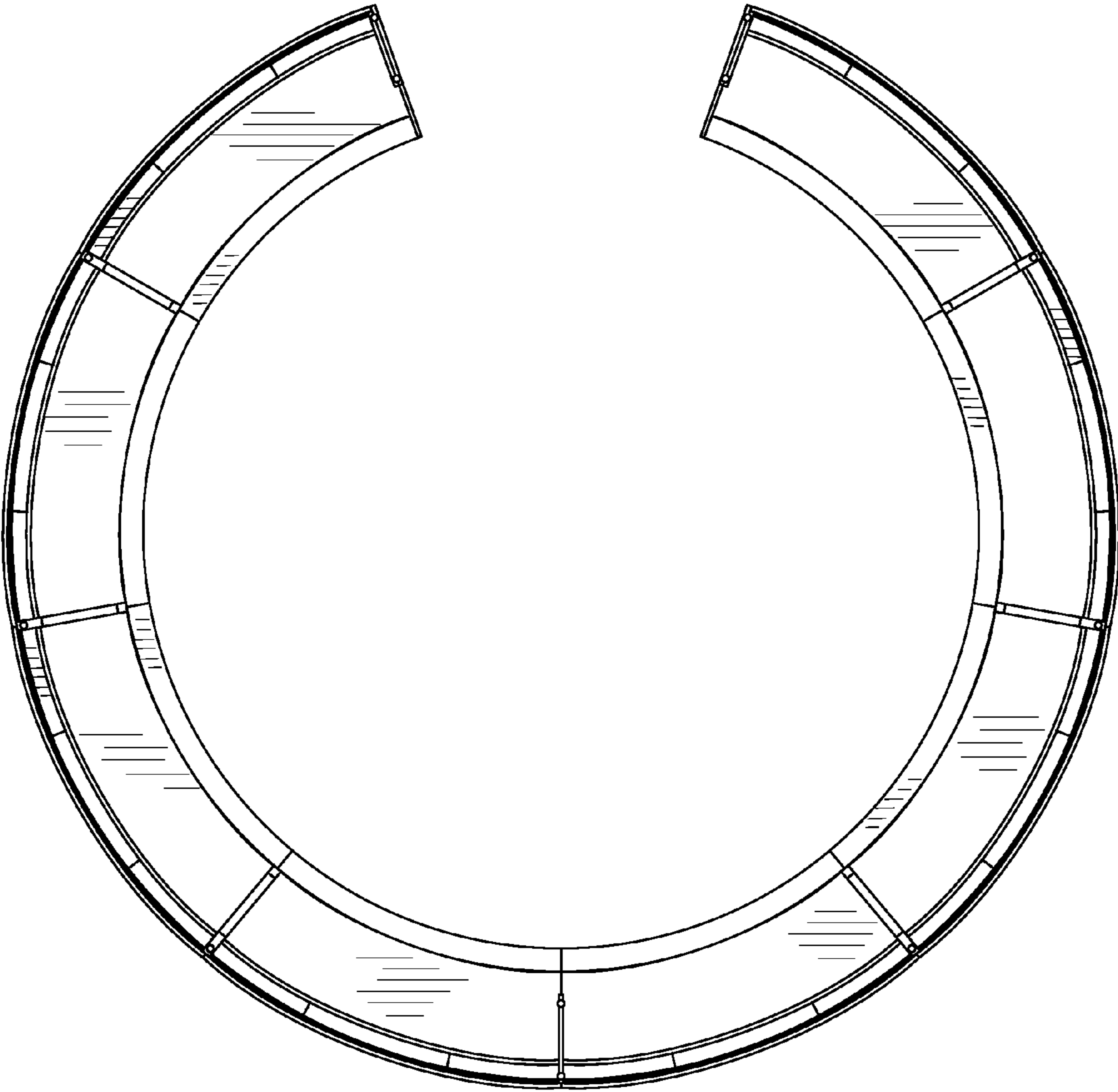
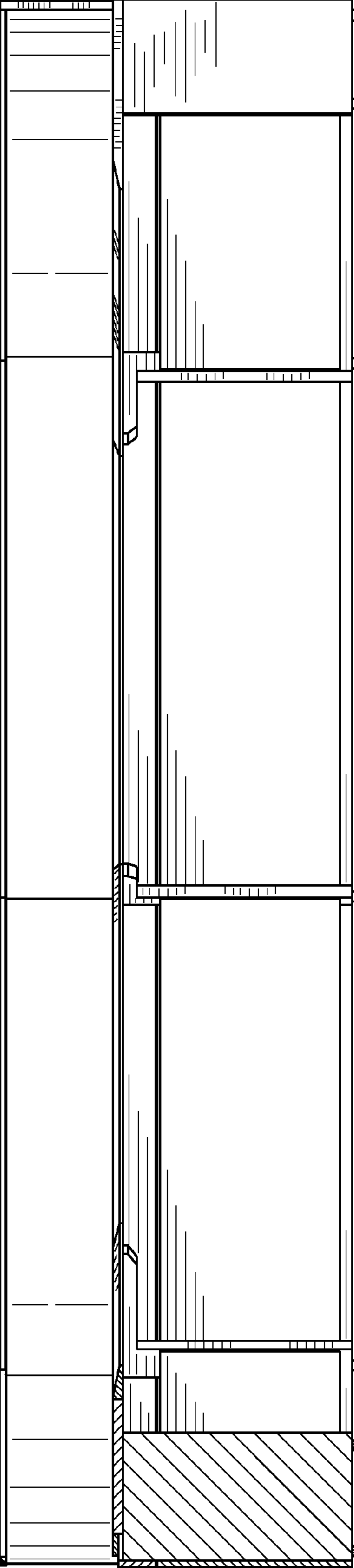


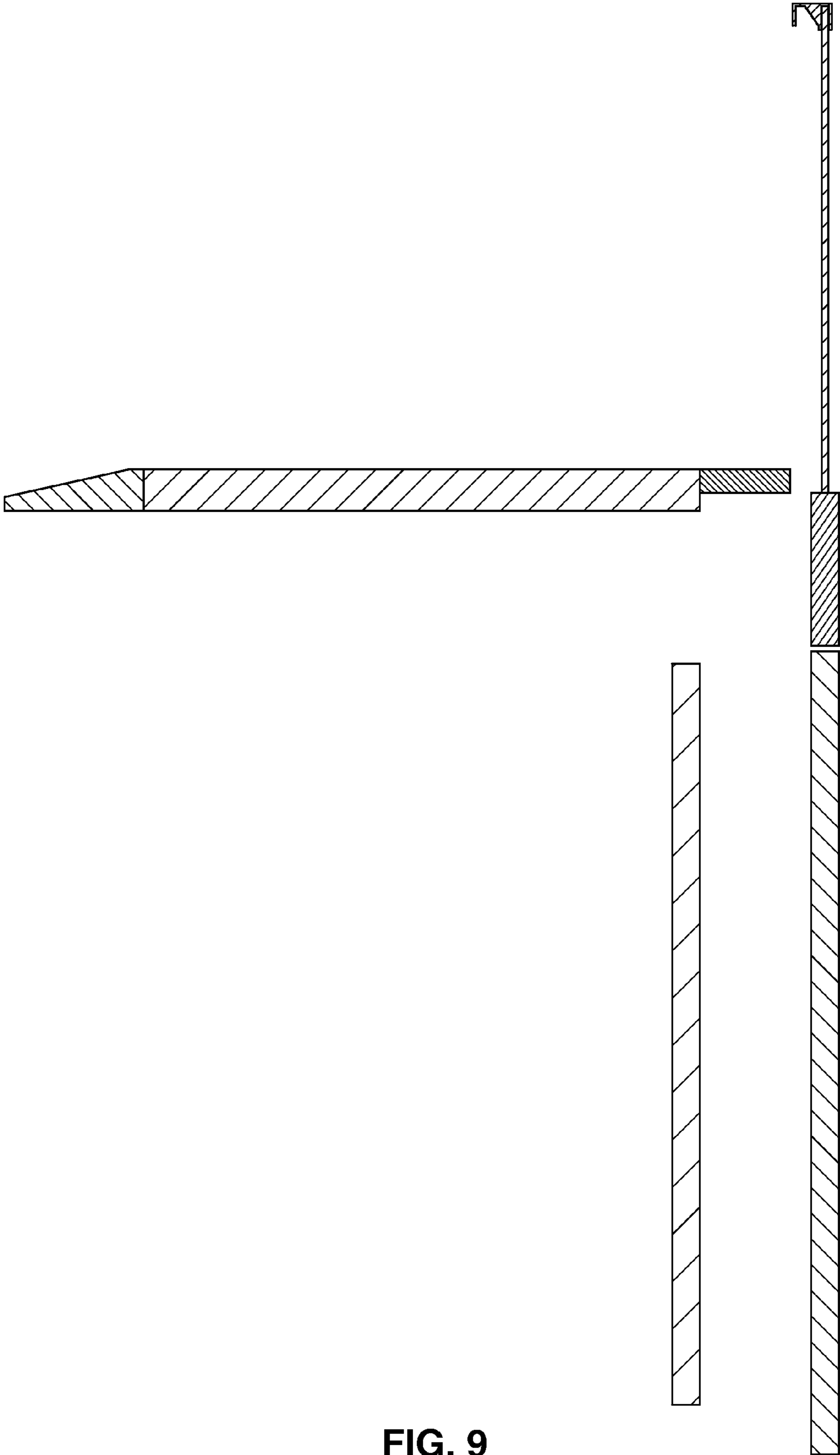
FIG. 6



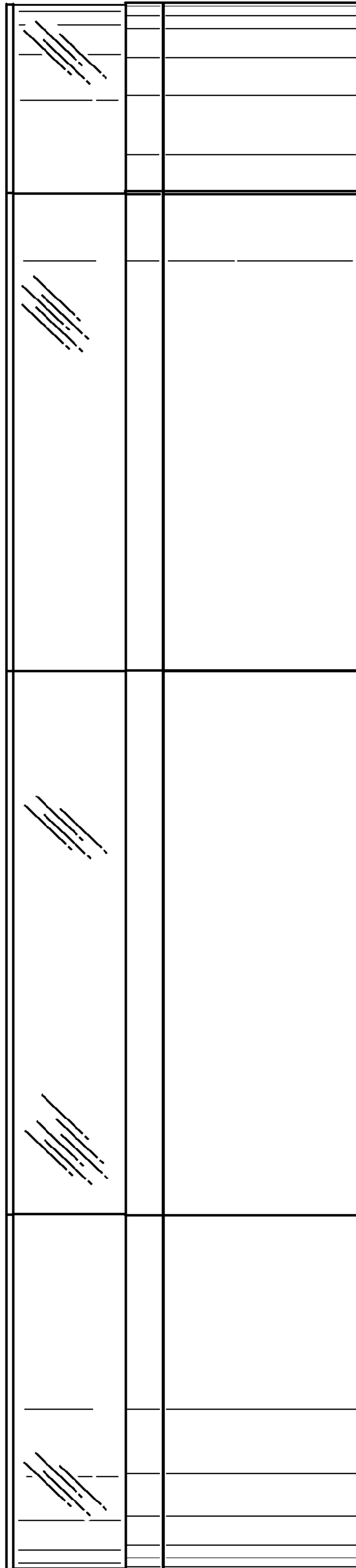




**FIG. 8**



**FIG. 9**



**FIG. 10**