



US00D659422S

(12) **United States Design Patent**
Soto et al.

(10) **Patent No.:** **US D659,422 S**
(45) **Date of Patent:** **** May 15, 2012**

(54) **BENCH**

(75) Inventors: **Alvaro Soto**, Oakland Gardens, NY
(US); **Alexander Lamis**, New York, NY
(US); **Michael A. Weber**, Brooklyn, NY
(US); **Nathaniel Pearson**, Brooklyn, NY
(US)

(73) Assignee: **Landscape Forms Inc.**, Kalamazoo, MI
(US)

(**) Term: **14 Years**

(21) Appl. No.: **29/381,680**

(22) Filed: **Dec. 22, 2010**

(51) **LOC (9) Cl.** **06-01**

(52) **U.S. Cl.** **D6/370**

(58) **Field of Classification Search** D6/334-336,
D6/360, 369, 370, 374, 376, 379, 380, 381,
D6/500-502; 297/232, 411.4, 411.41, 411.42,
297/445.1, 446.1, 452.63

See application file for complete search history.

(56) **References Cited**

U.S. PATENT DOCUMENTS

D399,665 S * 10/1998 Muller D6/370
D416,717 S * 11/1999 Chalmers et al. D6/500
D417,103 S * 11/1999 Chalmers et al. D6/500
D417,104 S * 11/1999 Chalmers et al. D6/500

D417,569 S * 12/1999 Chalmers et al. D6/500
D433,835 S * 11/2000 Hutton D6/370
D481,215 S 10/2003 Chalmers et al.
D525,040 S * 7/2006 Muller D6/370

OTHER PUBLICATIONS

<http://www.Maglin.com>, "Park it Here", MLBI400, 2010.
<http://www.Landscapeforms.com>, "Sit", The 35 Collection, 2010.
<http://www.Landscapeforms.com>, "Hyde Park", 2010.
<http://www.weatherend.com>, "Jackson Settee", 2010, 2 pp.
<http://www.mckinnonharris.com>, "Withers Bench", 2010.

* cited by examiner

Primary Examiner — Mimoso De

(74) *Attorney, Agent, or Firm* — Heslin Rothenberg
Farley & Mesiti P.C.

(57) **CLAIM**

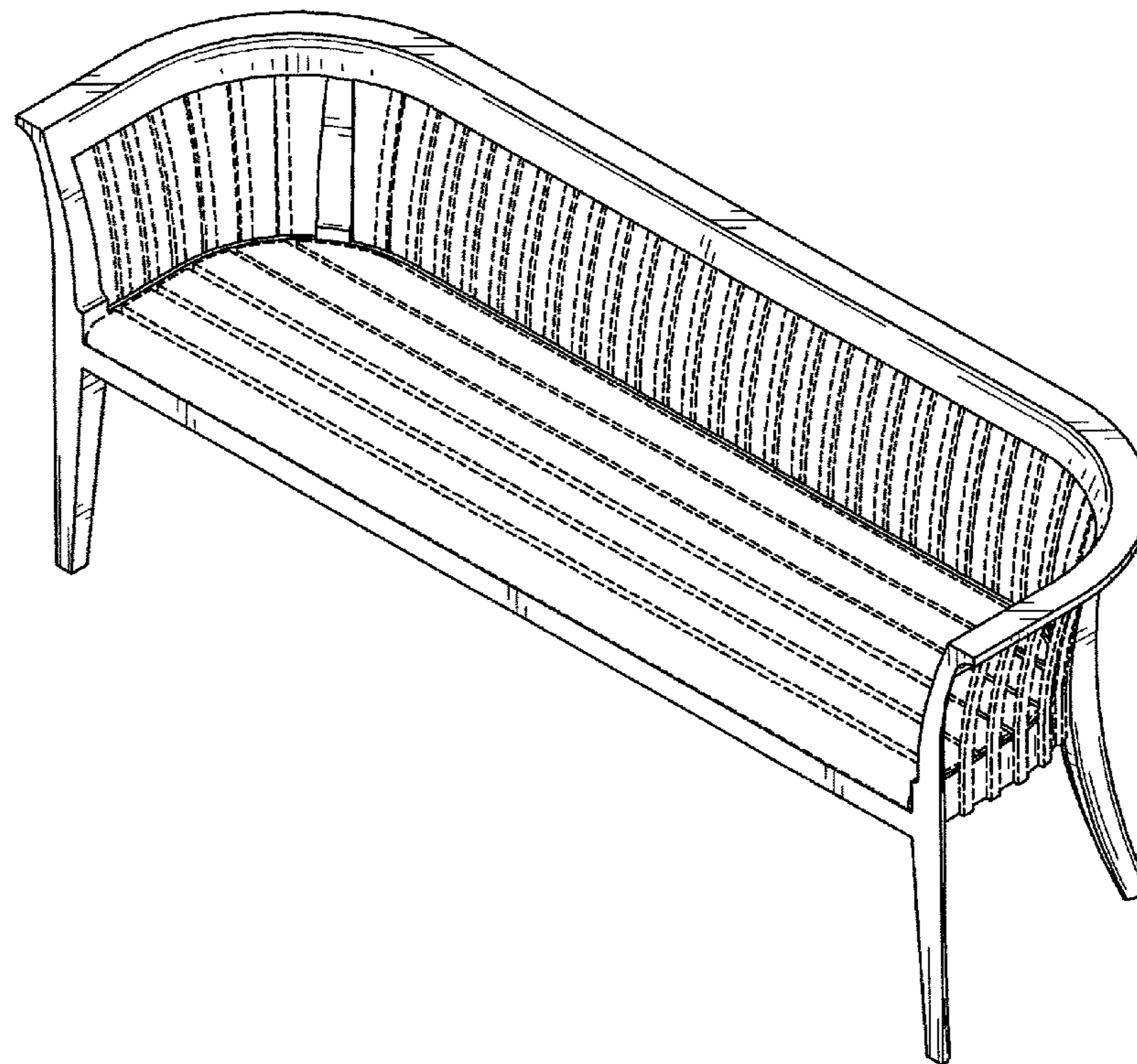
The ornamental design for the bench, as shown and described.

DESCRIPTION

FIG. 1 is an isometric view of the bench of the present design;
FIG. 2 is a front elevation view thereof;
FIG. 3 is a right side elevation view thereof, the left side
elevation view being a mirror image thereof;
FIG. 4 is a rear elevation view thereof; and,
FIG. 5 is a top plan view thereof.

The broken lines in the figures are for illustrative purposes
only and form no part of the claimed invention.

1 Claim, 5 Drawing Sheets



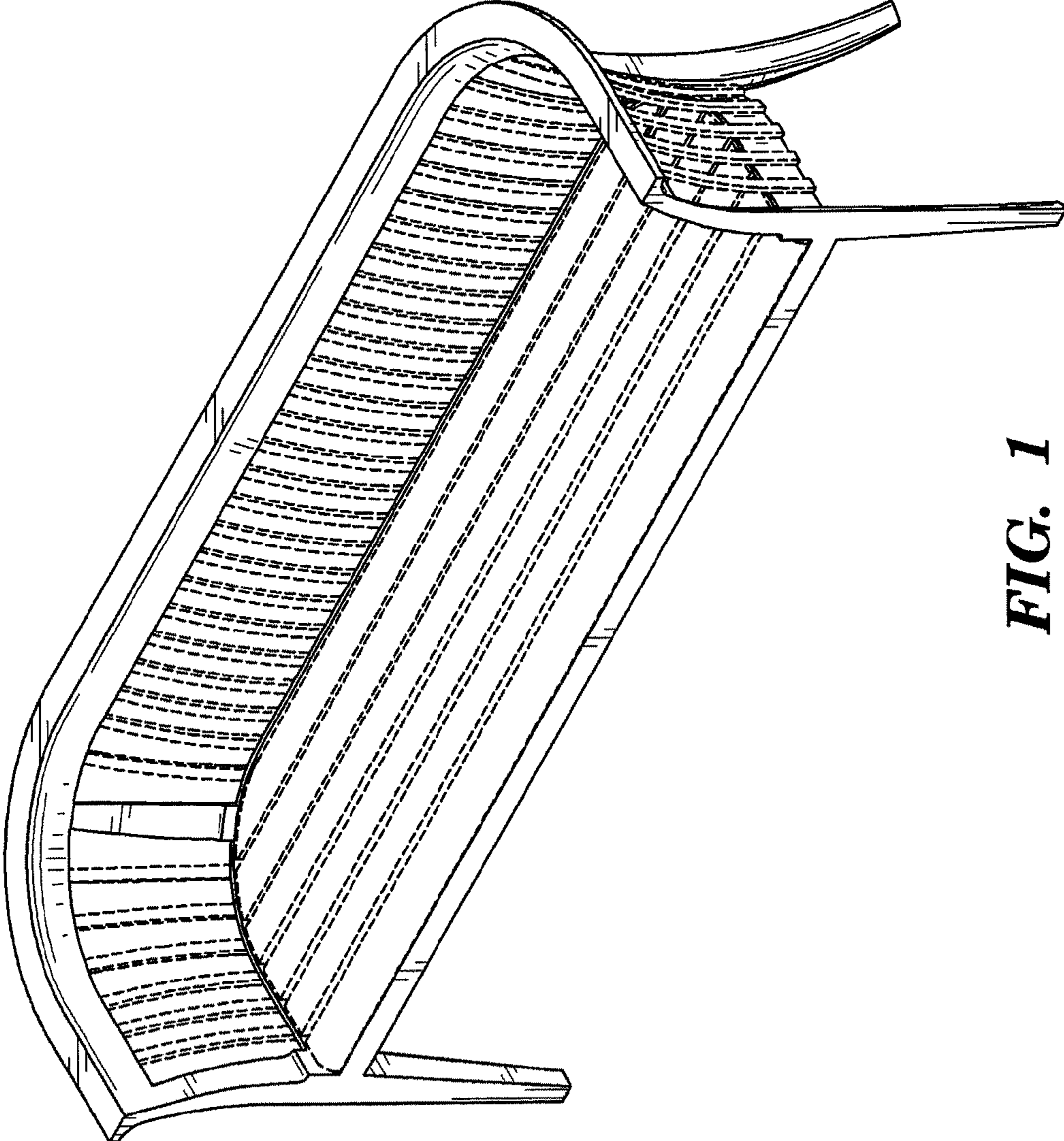


FIG. 1

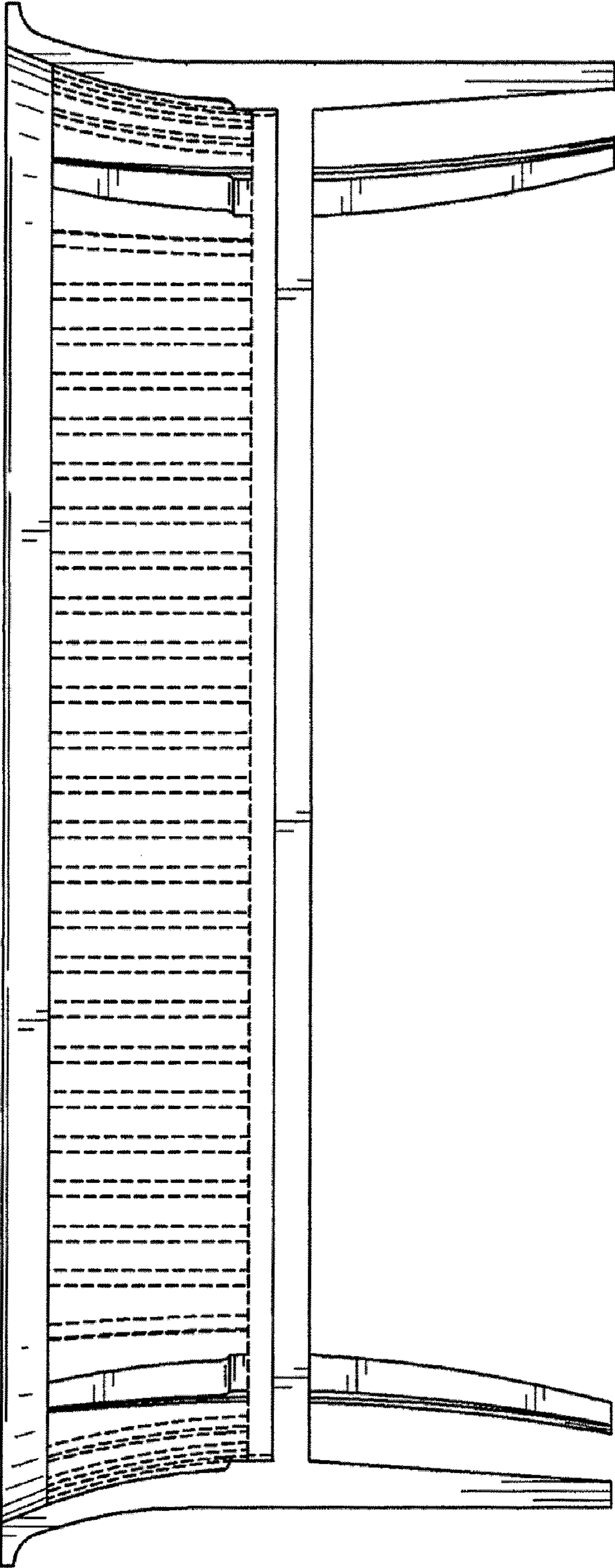


FIG. 2

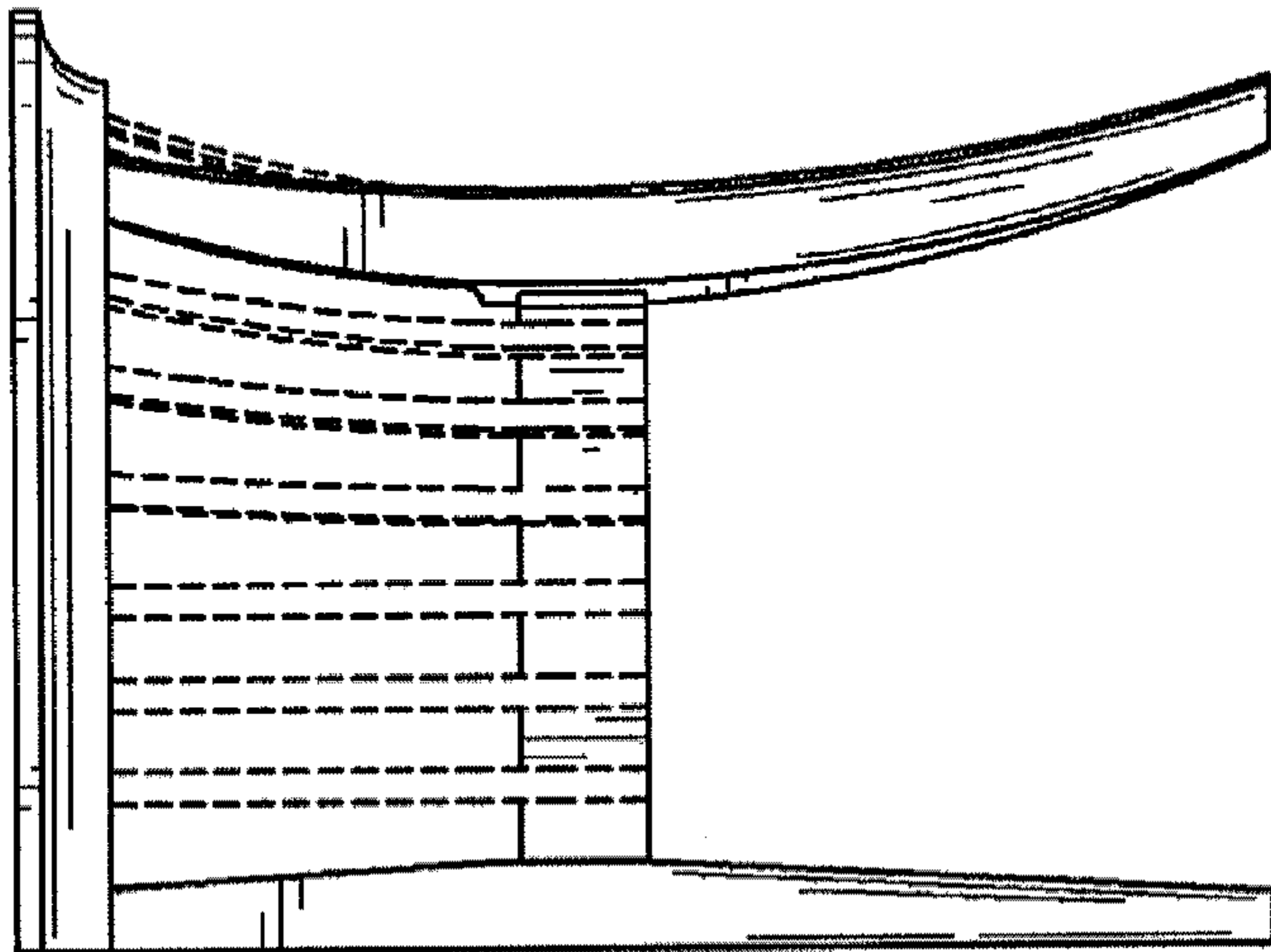


FIG. 3

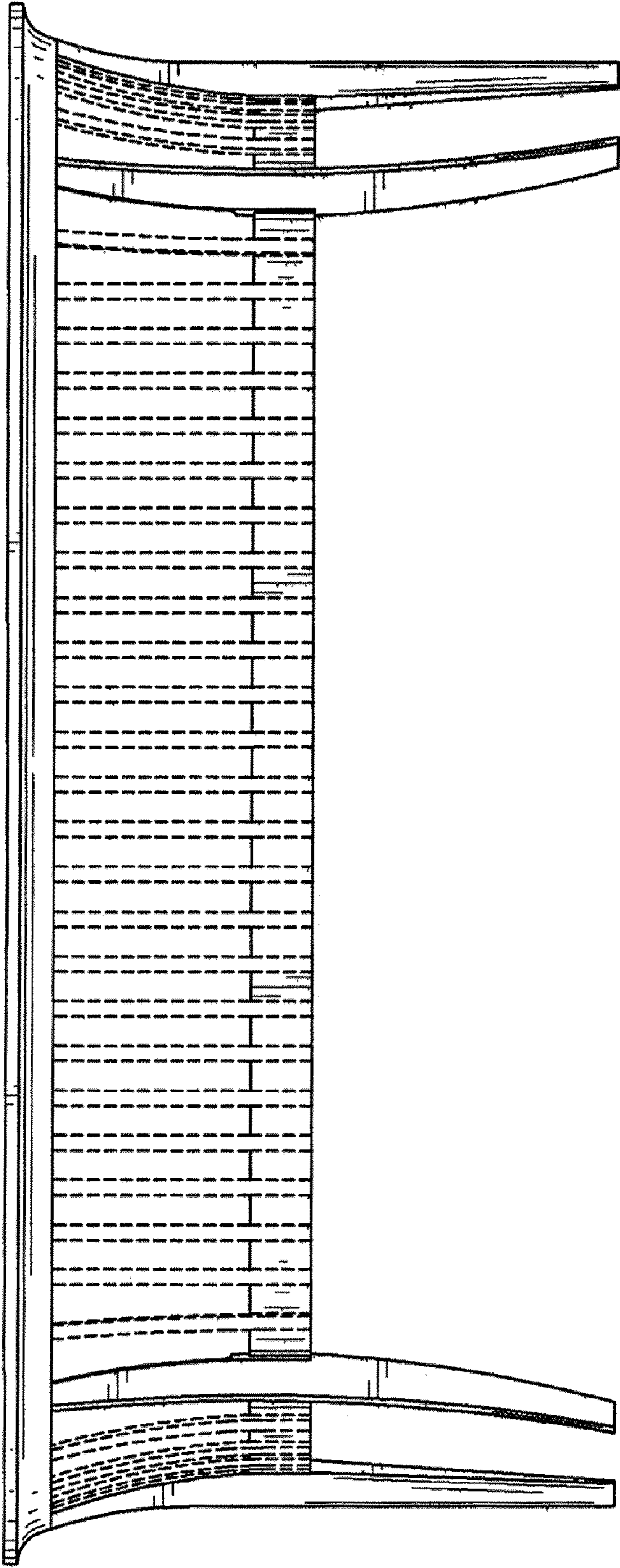


FIG. 4

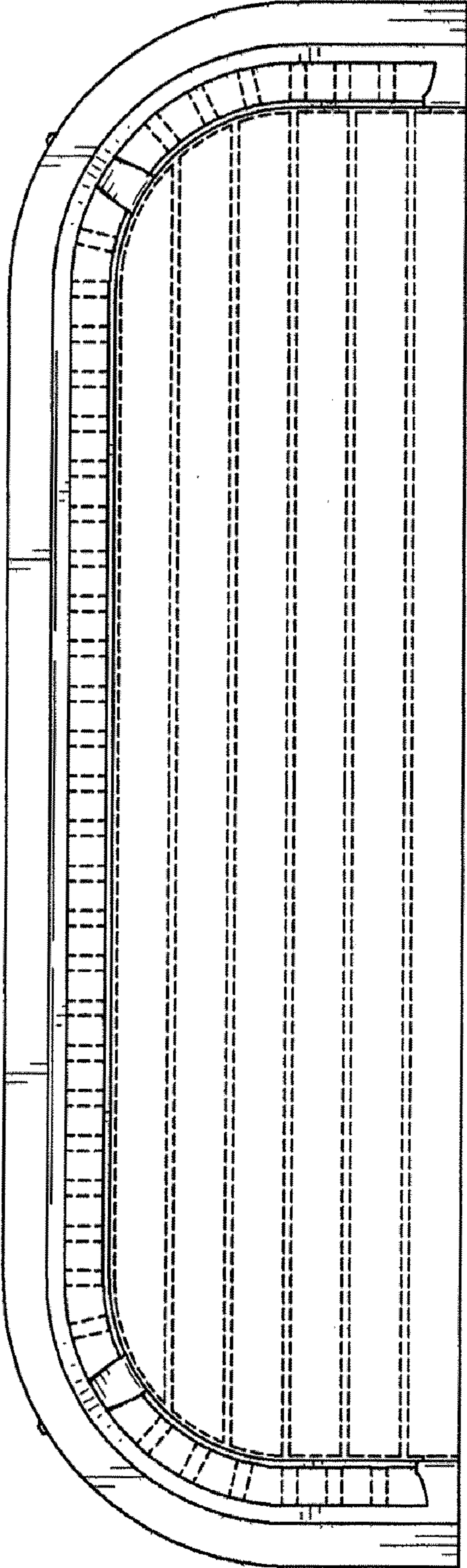


FIG. 5

UNITED STATES PATENT AND TRADEMARK OFFICE
CERTIFICATE OF CORRECTION

PATENT NO. : D659,422 S
APPLICATION NO. : 29/381680
DATED : May 15, 2012
INVENTOR(S) : Soto et al.

Page 1 of 1

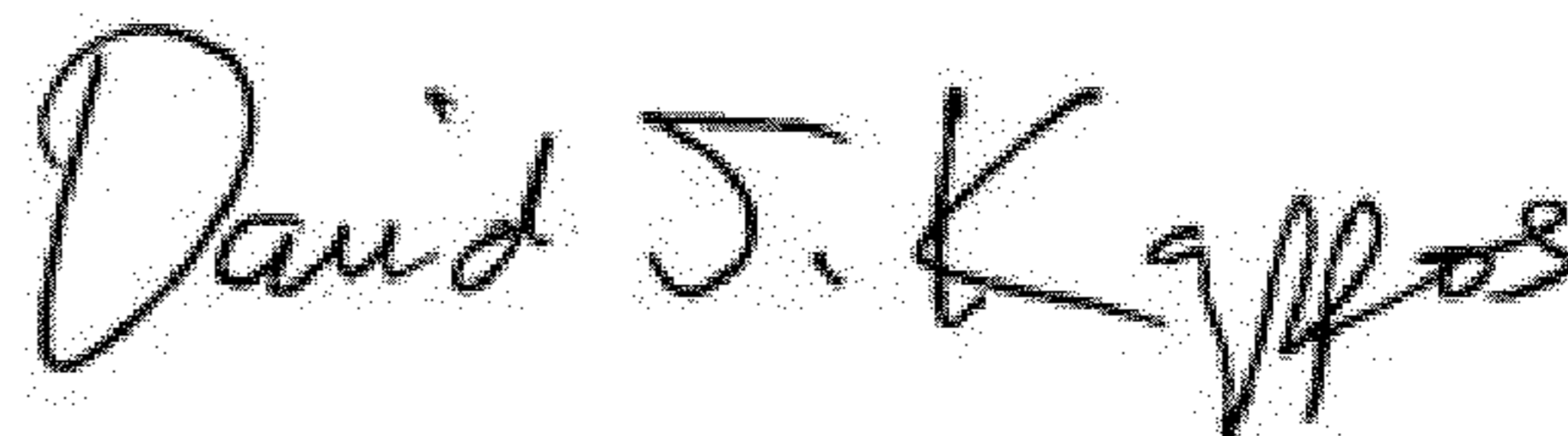
It is certified that error appears in the above-identified patent and that said Letters Patent is hereby corrected as shown below:

ON THE TITLE PAGE:

Item (73):

In the Assignee: Delete "Landscape Forms Inc." and insert --Landscape Forms, Inc.--

Signed and Sealed this
Twenty-sixth Day of June, 2012



David J. Kappos
Director of the United States Patent and Trademark Office