



US00D659420S

(12) **United States Design Patent**  
**Huang**

(10) **Patent No.:** **US D659,420 S**

(45) **Date of Patent:** **\*\* May 15, 2012**

(54) **CHAIR**

(76) Inventor: **William W. Huang**, Commerce, CA  
(US)

(\*\*) Term: **14 Years**

(21) Appl. No.: **29/376,967**

(22) Filed: **Oct. 14, 2010**

(51) **LOC (9) Cl.** ..... **06-01**

(52) **U.S. Cl.** ..... **D6/366**

(58) **Field of Classification Search** ..... D6/334-336,  
D6/364, 365, 366, 367, 368, 372, 374, 379,  
D6/380, 498, 500-502; 297/411.2, 411.27,  
297/411.28, 411.44, 452.26, 452.29, 452.32,  
297/452.35

See application file for complete search history.

(56) **References Cited**

**U.S. PATENT DOCUMENTS**

D354,178 S *	1/1995	Ochsner	.....	D6/366
D411,380 S *	6/1999	Goodworth et al.	.....	D6/366
D427,793 S *	7/2000	Groulx et al.	.....	D6/366
D451,716 S *	12/2001	Tseng	.....	D6/500
D451,719 S *	12/2001	Tseng	.....	D6/500

D492,143 S *	6/2004	True	.....	D6/500
D493,987 S *	8/2004	True	.....	D6/500
D494,389 S *	8/2004	True	.....	D6/500
D495,168 S *	8/2004	True	.....	D6/500
D529,735 S *	10/2006	Chen	.....	D6/500
D540,049 S *	4/2007	Yang	.....	D6/366
D542,042 S *	5/2007	Yang	.....	D6/366
D549,017 S *	8/2007	Smith	.....	D6/500

\* cited by examiner

*Primary Examiner* — Mimosa De

(74) *Attorney, Agent, or Firm* — Jen-Feng Lee, Esq.

(57) **CLAIM**

I claim the ornamental design for a chair, as shown and described.

**DESCRIPTION**

FIG. 1 shows the perspective view of a chair showing my new design,

FIG. 2 shows the left view thereof,

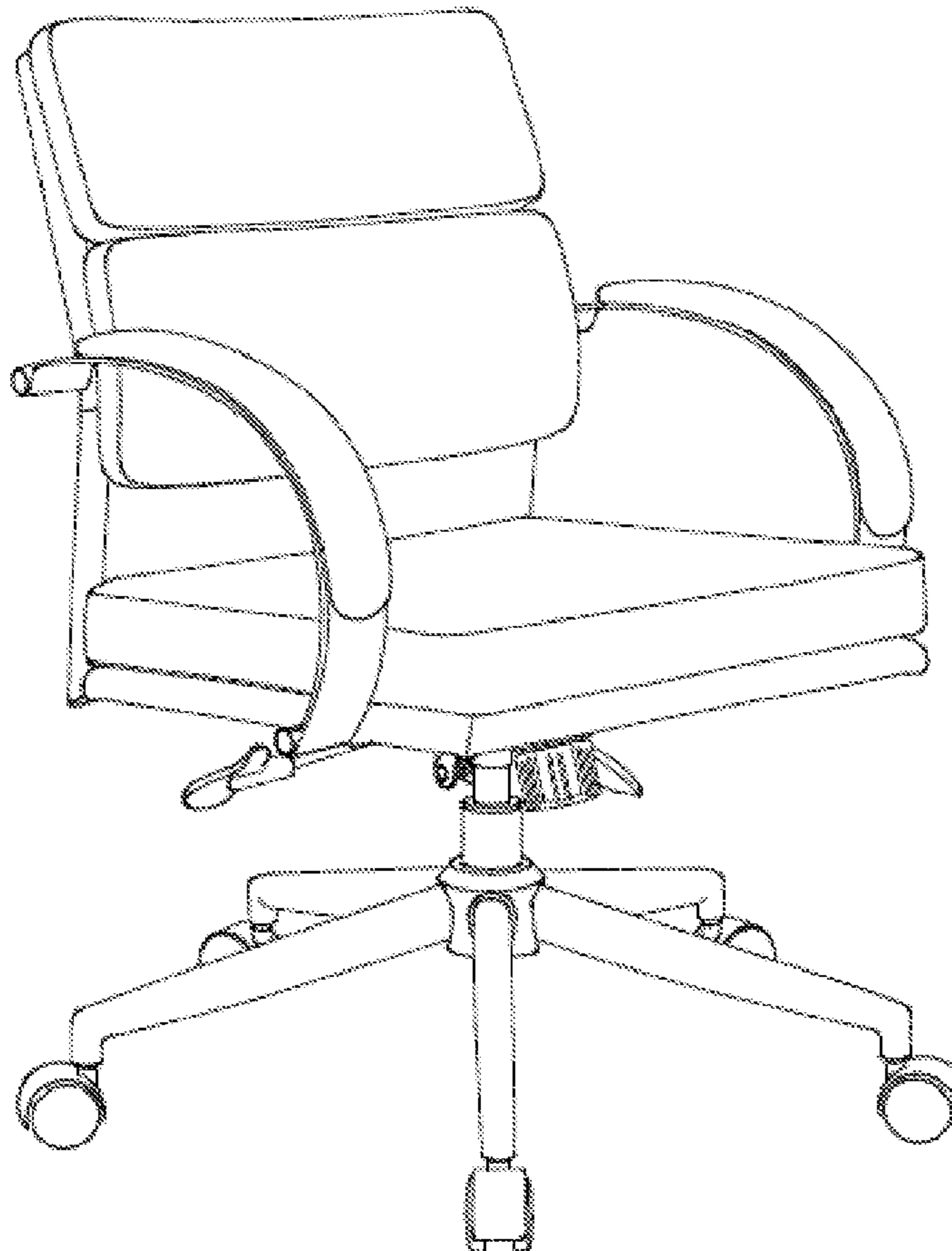
FIG. 3 shows the front side view thereof,

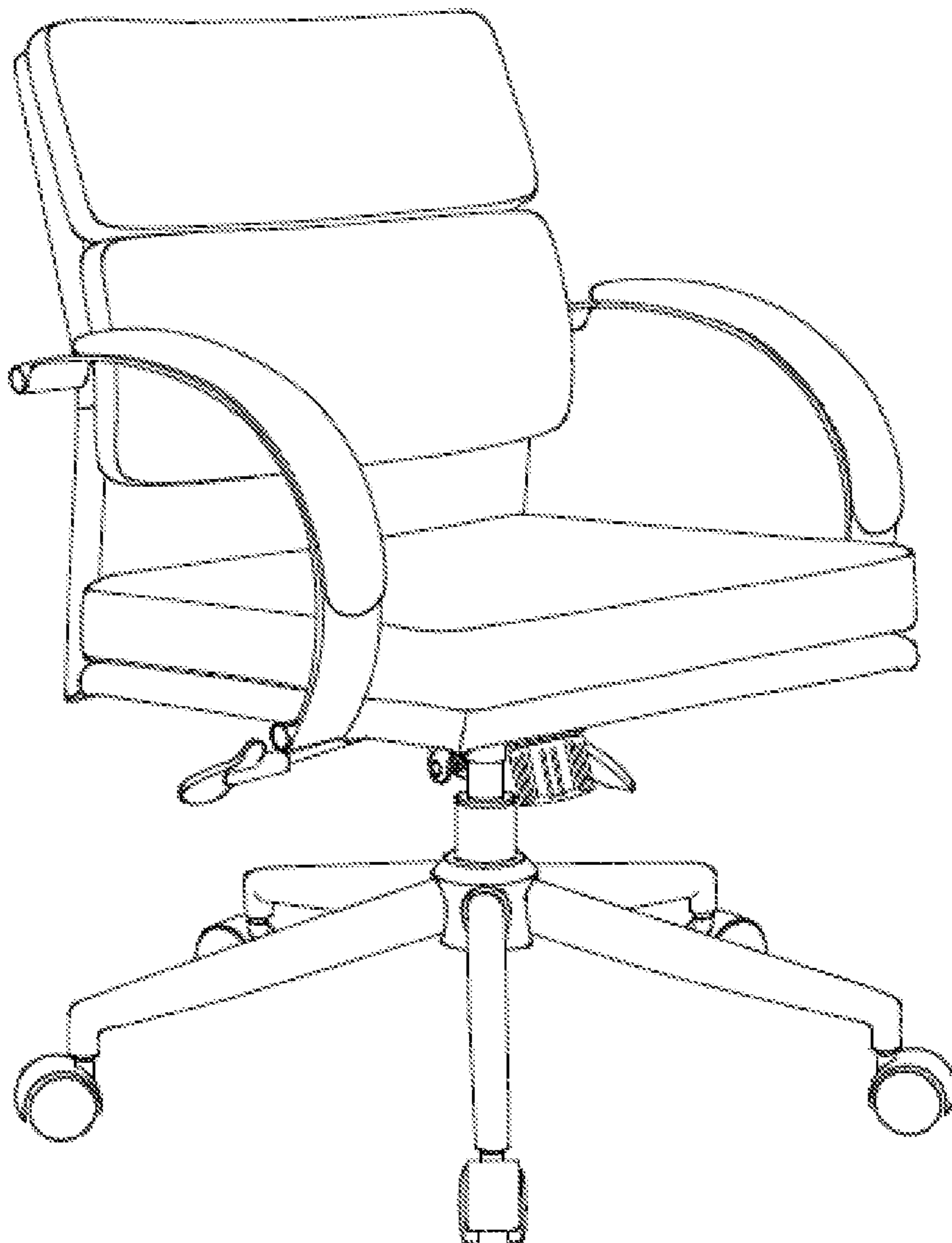
FIG. 4 shows the right side view thereof,

FIG. 5 shows the rear view thereof; and,

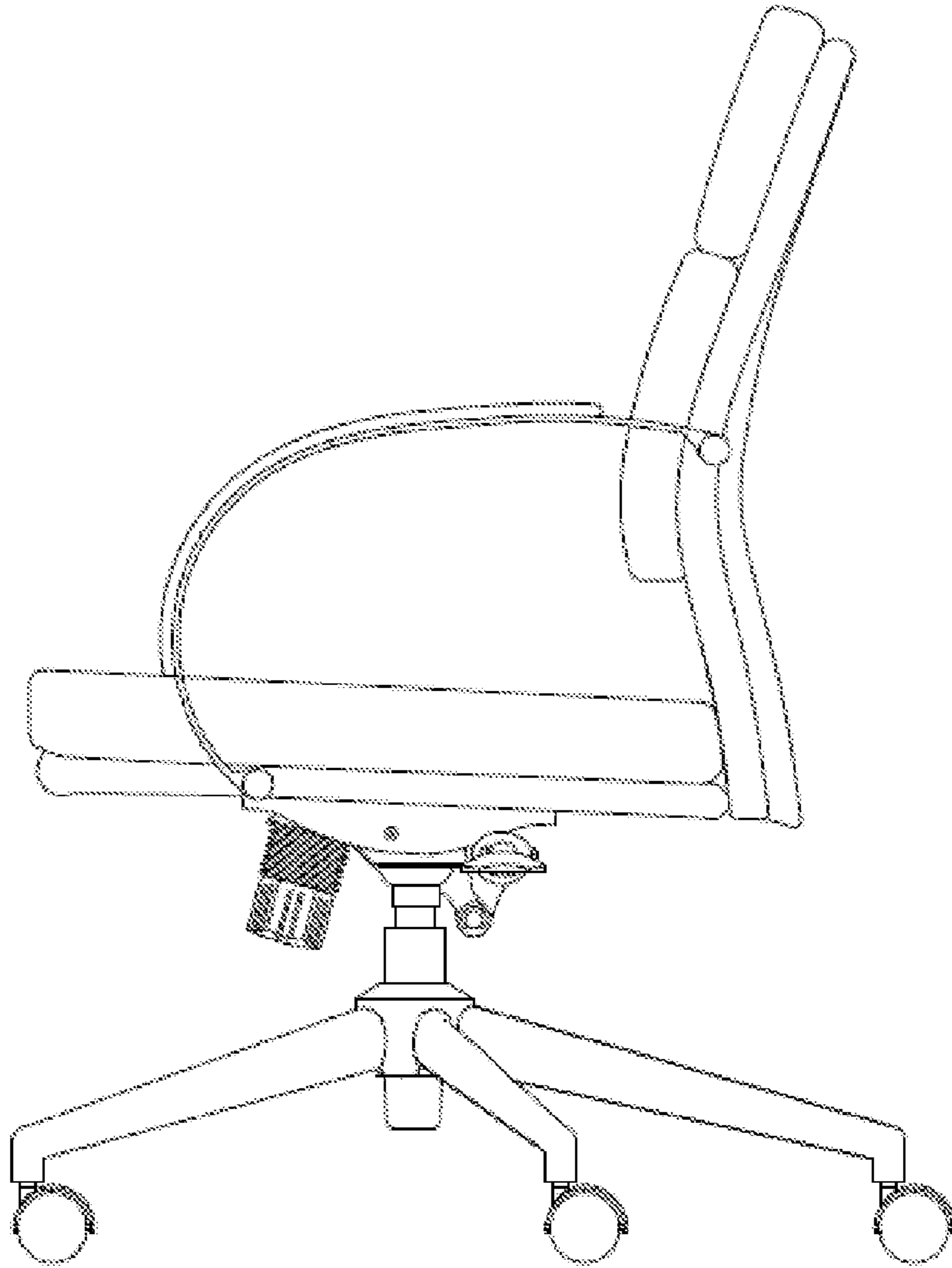
FIG. 6 shows the top plan view thereof.

**1 Claim, 6 Drawing Sheets**

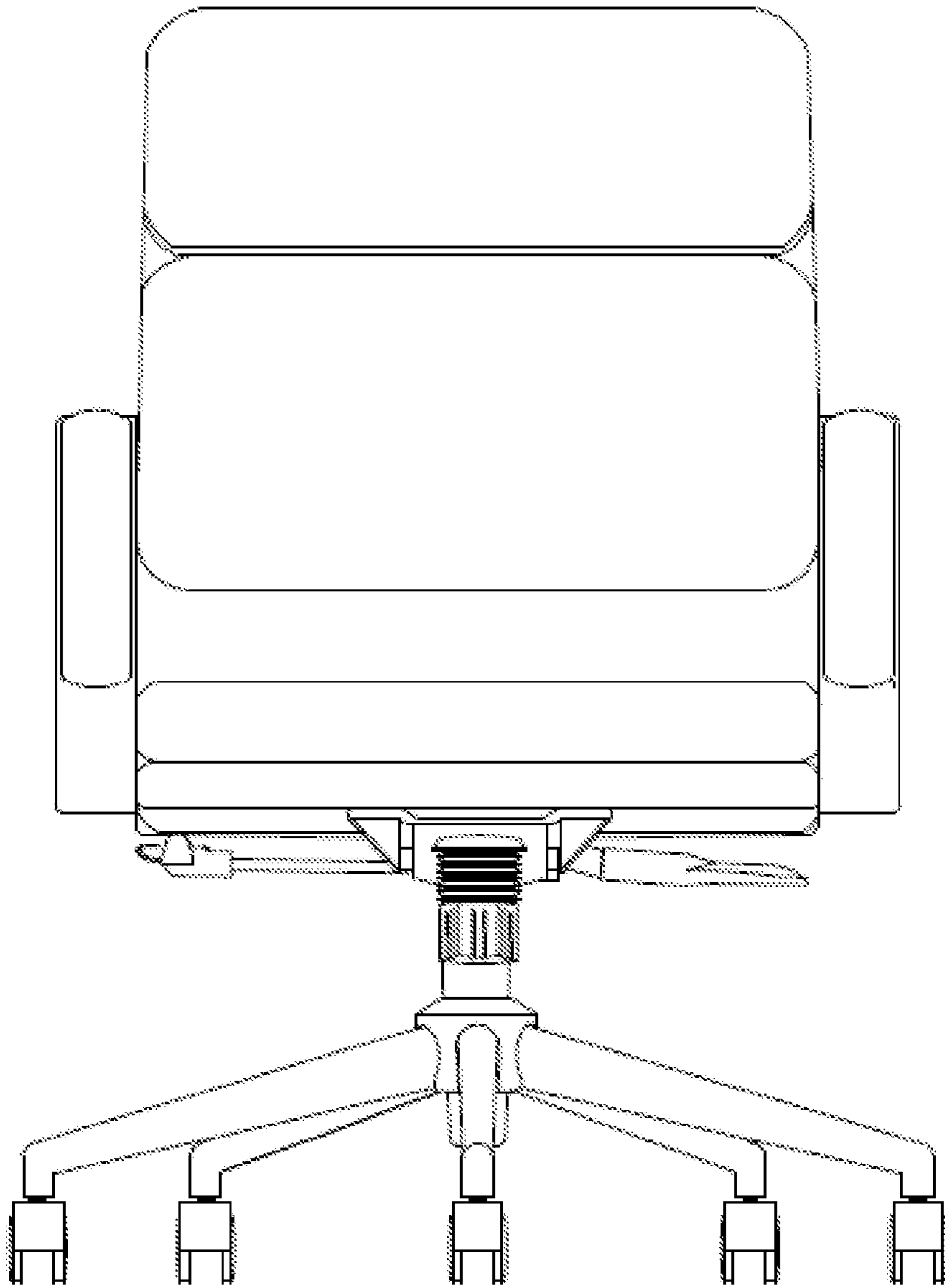




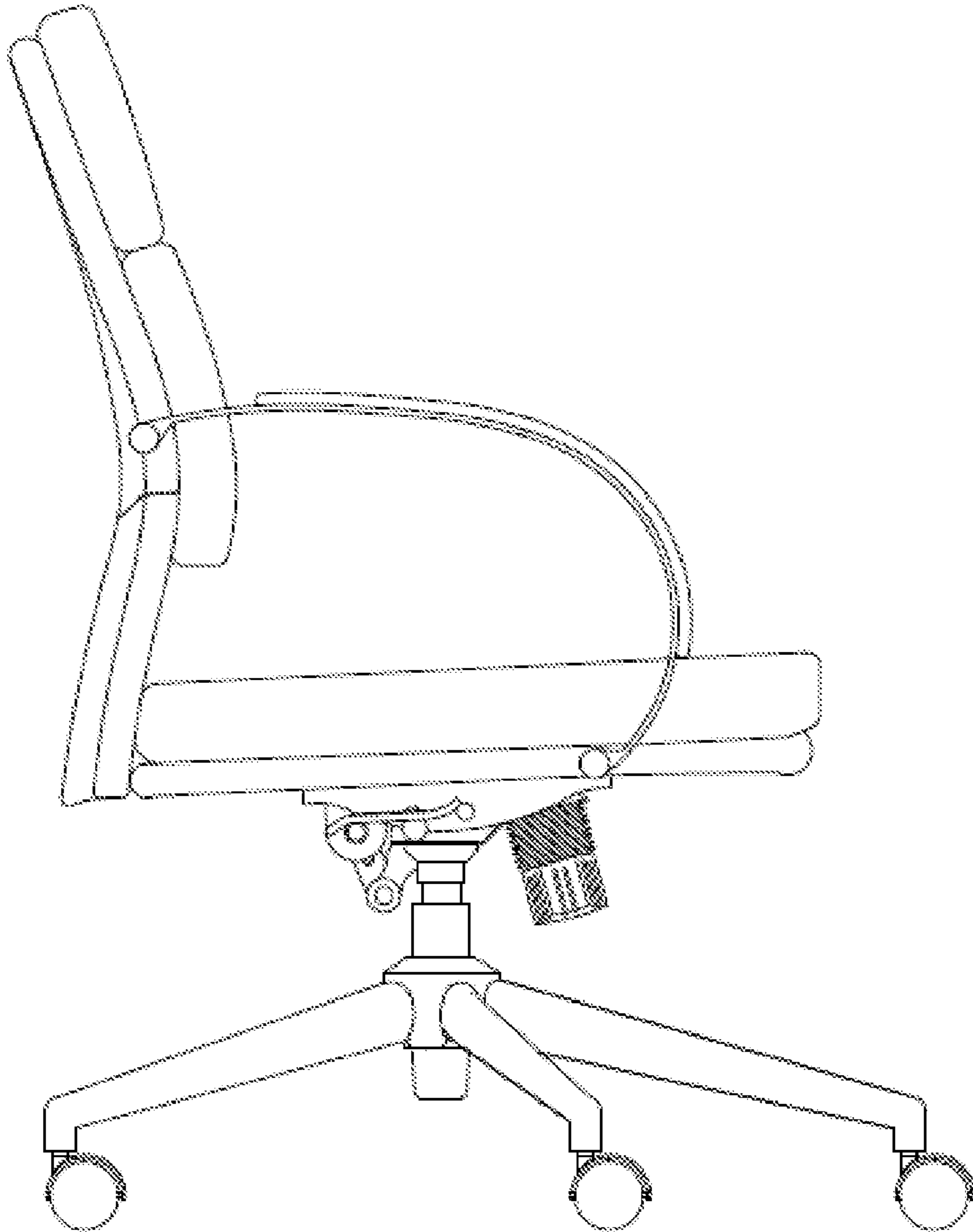
**FIGURE 1**



**FIGURE 2**

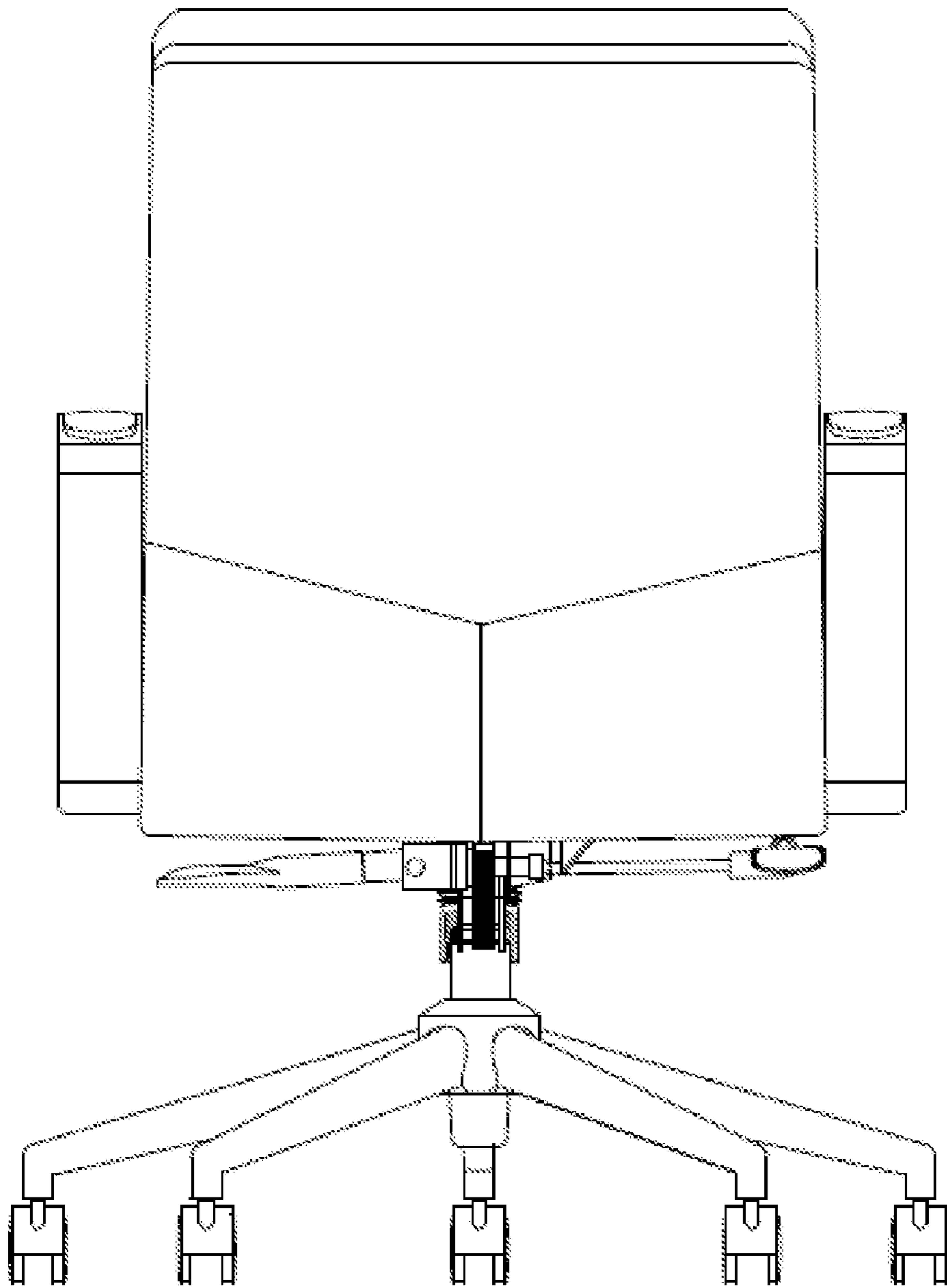


**FIGURE 3**

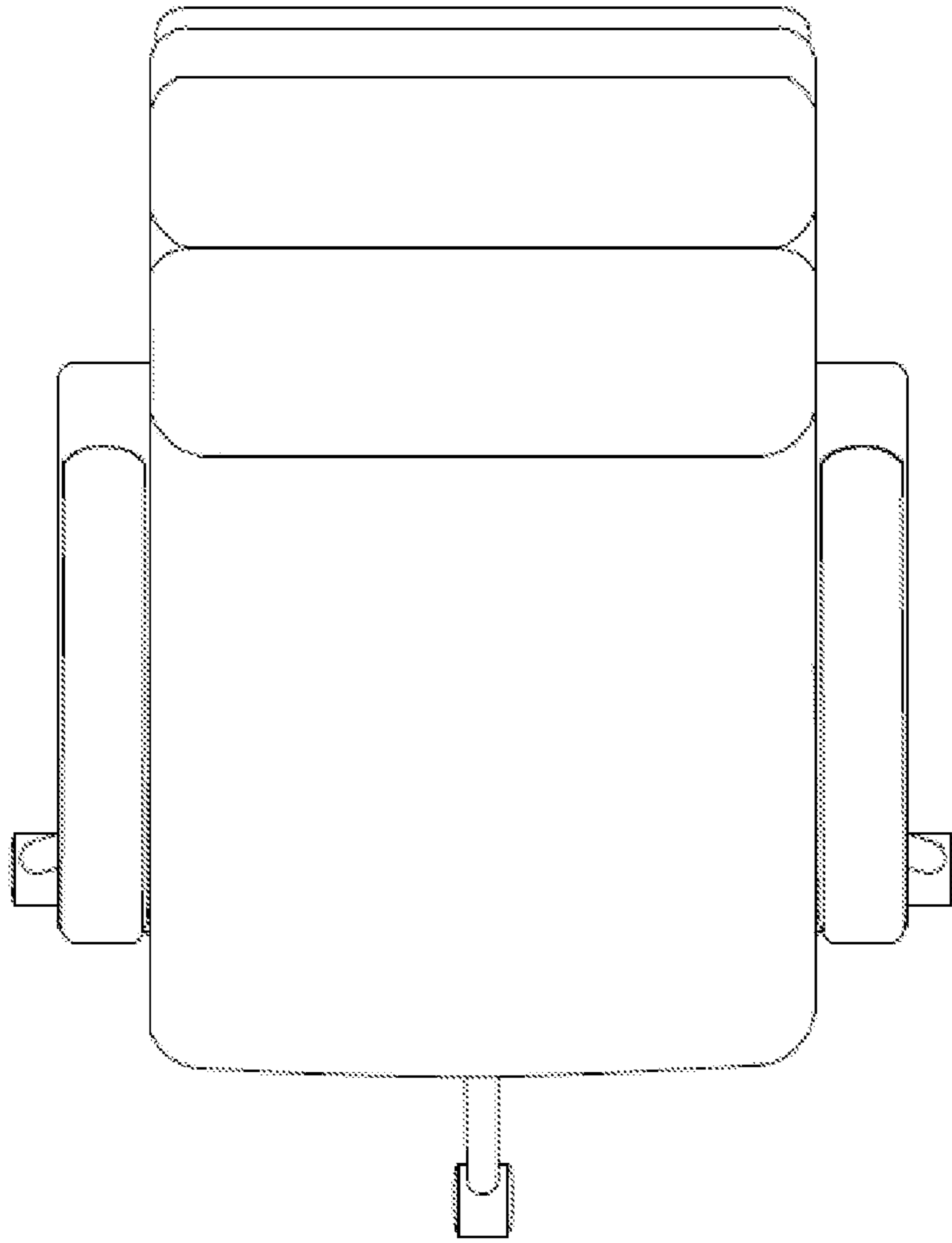


**FIGURE 4**





**FIGURE 5**



**FIGURE 6**