



US00D659419S

(12) **United States Design Patent**
Huang

(10) **Patent No.:** **US D659,419 S**

(45) **Date of Patent:** **** May 15, 2012**

(54) **CHAIR**

(76) Inventor: **William W. Huang**, Commerce, CA
(US)

(**) Term: **14 Years**

(21) Appl. No.: **29/376,966**

(22) Filed: **Oct. 14, 2010**

(51) **LOC (9) Cl.** **06-01**

(52) **U.S. Cl.** **D6/366**

(58) **Field of Classification Search** D6/334-336,
D6/364, 365, 366, 367, 368, 372, 374, 379,
D6/380, 498, 500-502; 297/411.2, 411.27,
297/411.28, 411.44, 452.26, 452.29, 452.32,
297/452.35

See application file for complete search history.

(56) **References Cited**

U.S. PATENT DOCUMENTS

D293,982 S * 2/1988 Vogtherr D6/372
D294,436 S * 3/1988 Colby D6/379

D337,666 S * 7/1993 Peterson et al. D6/366
D354,178 S * 1/1995 Ochsner D6/366
D427,793 S * 7/2000 Groulx et al. D6/366
D493,987 S * 8/2004 True D6/500
D572,924 S * 7/2008 Huang D6/366

* cited by examiner

Primary Examiner — Mimoso De

(74) *Attorney, Agent, or Firm* — Jen-Feng Lee, Esq.

(57) **CLAIM**

I claim the ornamental design for a chair, as shown and described.

DESCRIPTION

FIG. 1 shows the perspective view of a chair showing my new design,

FIG. 2 shows the left view thereof,

FIG. 3 shows the front side view thereof,

FIG. 4 shows the right side view thereof,

FIG. 5 shows the rear view thereof; and,

FIG. 6 shows the top plan view thereof.

1 Claim, 6 Drawing Sheets





FIGURE 1

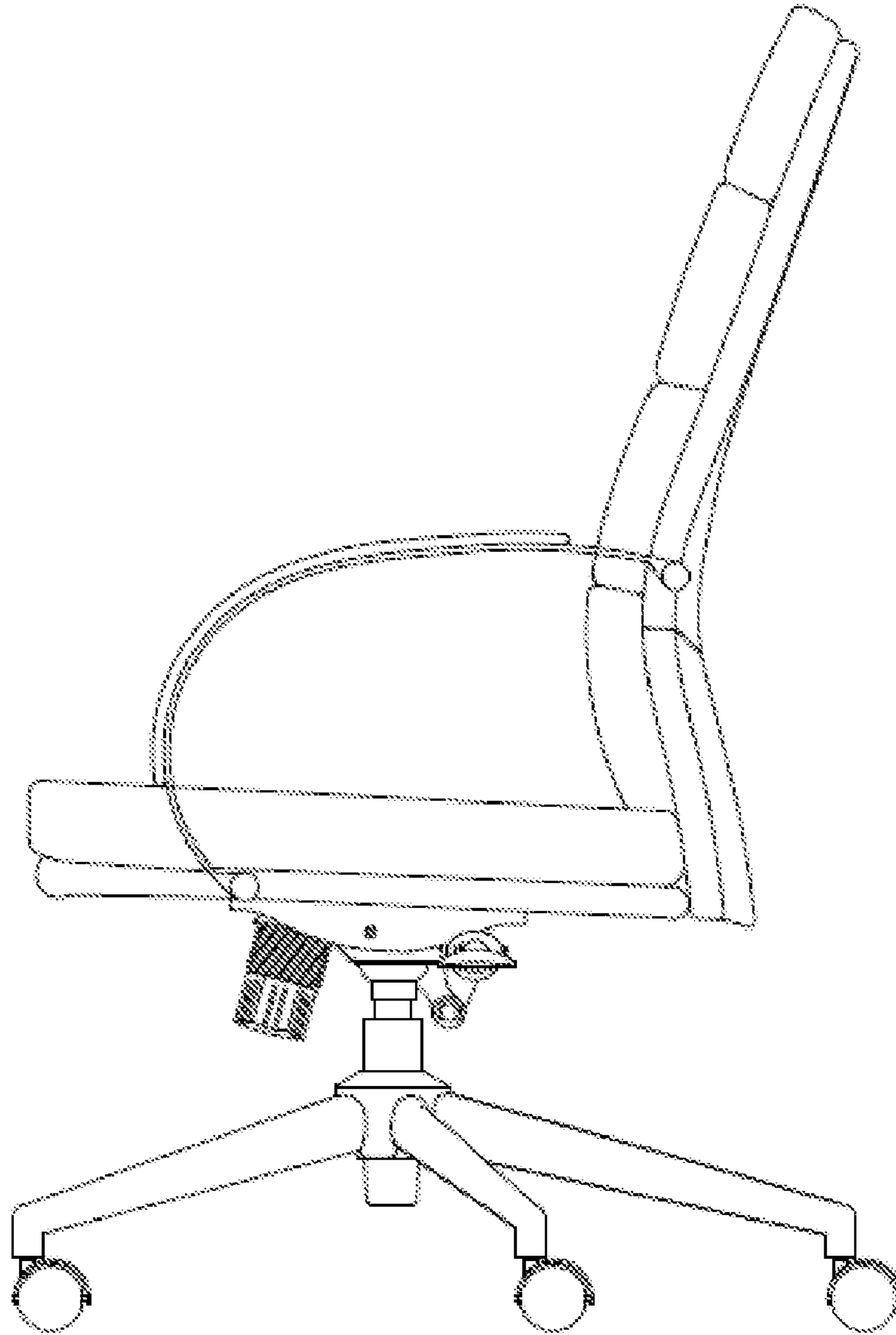


FIGURE 2

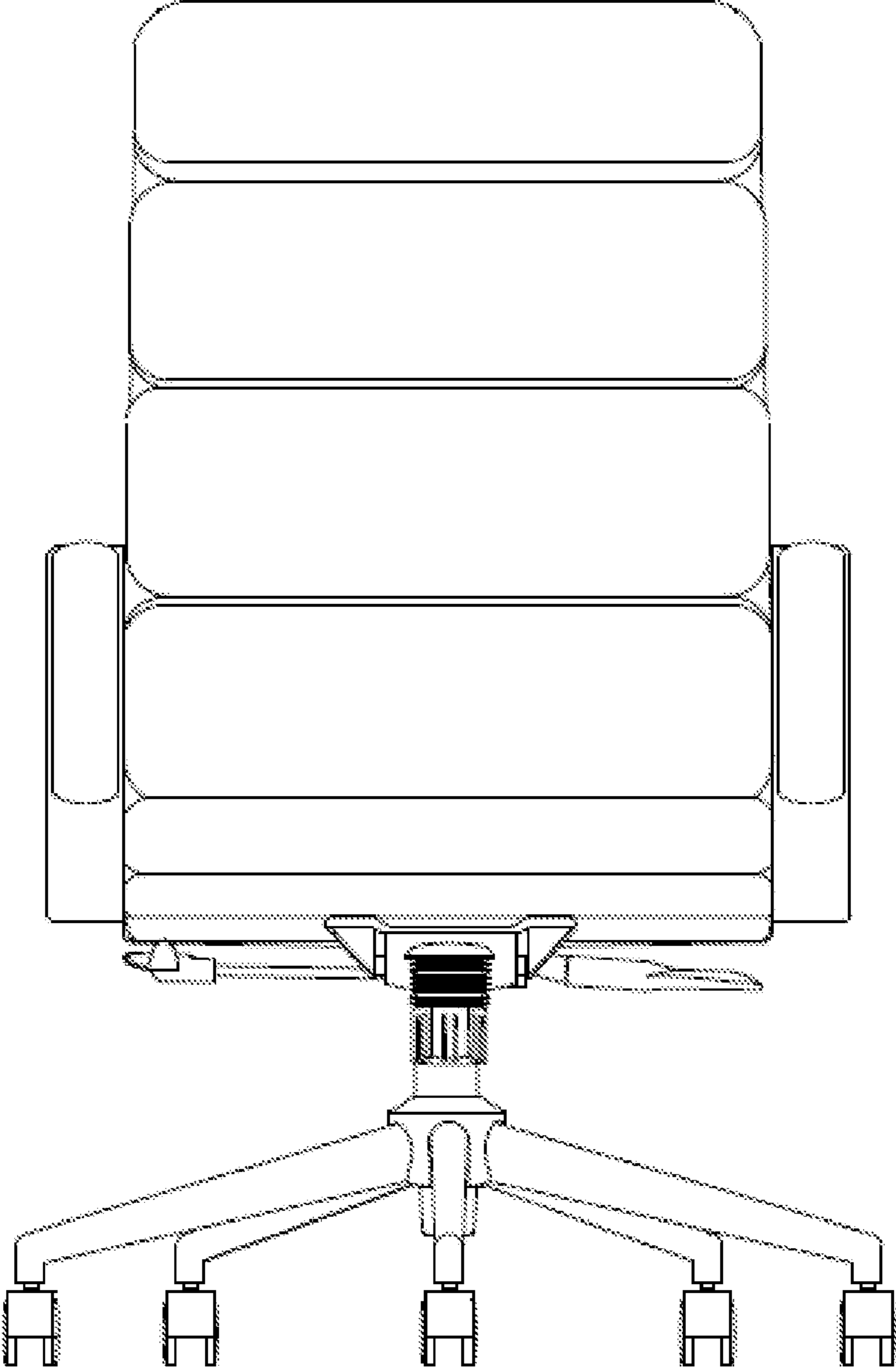


FIGURE 3

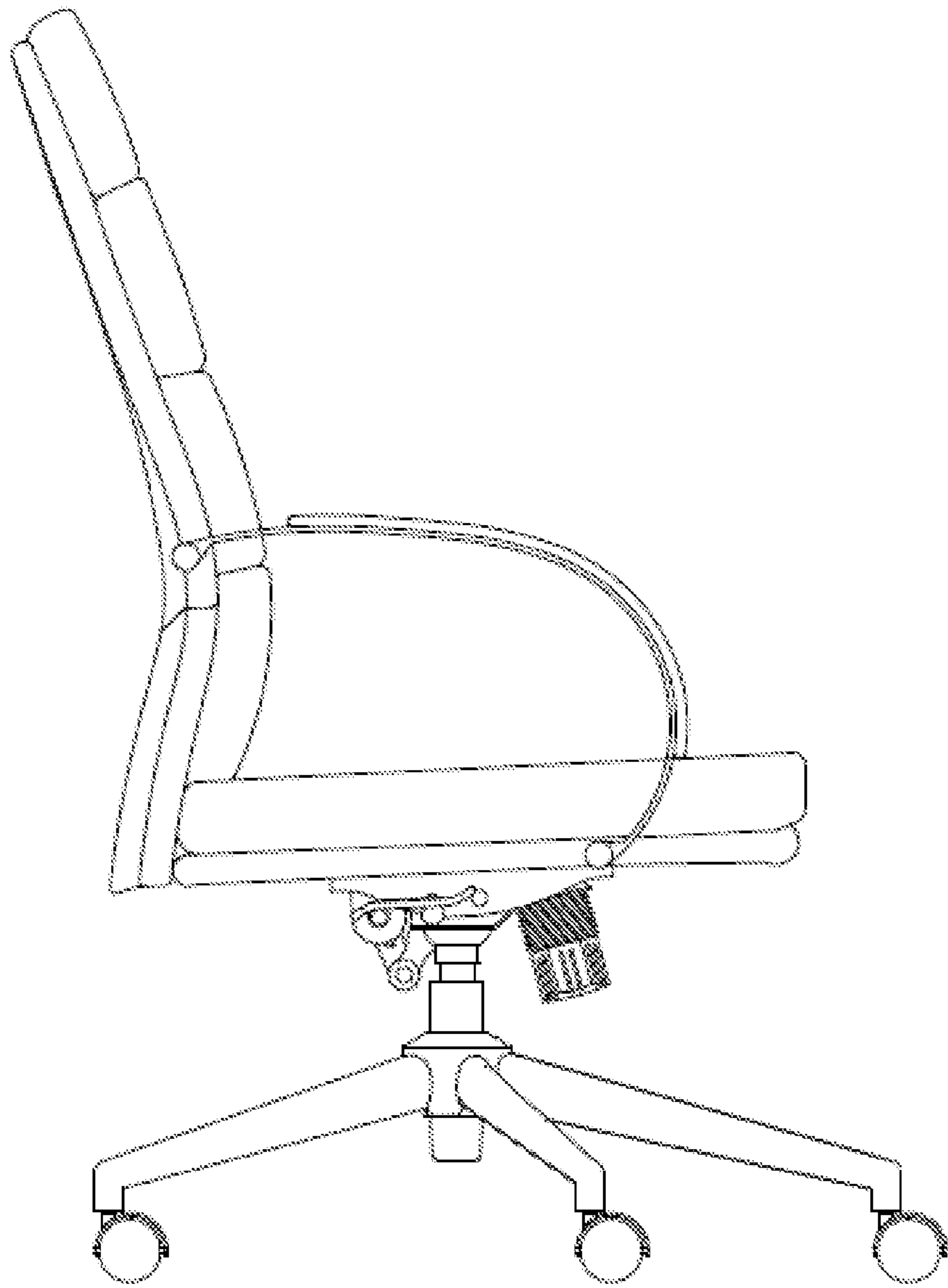


FIGURE 4

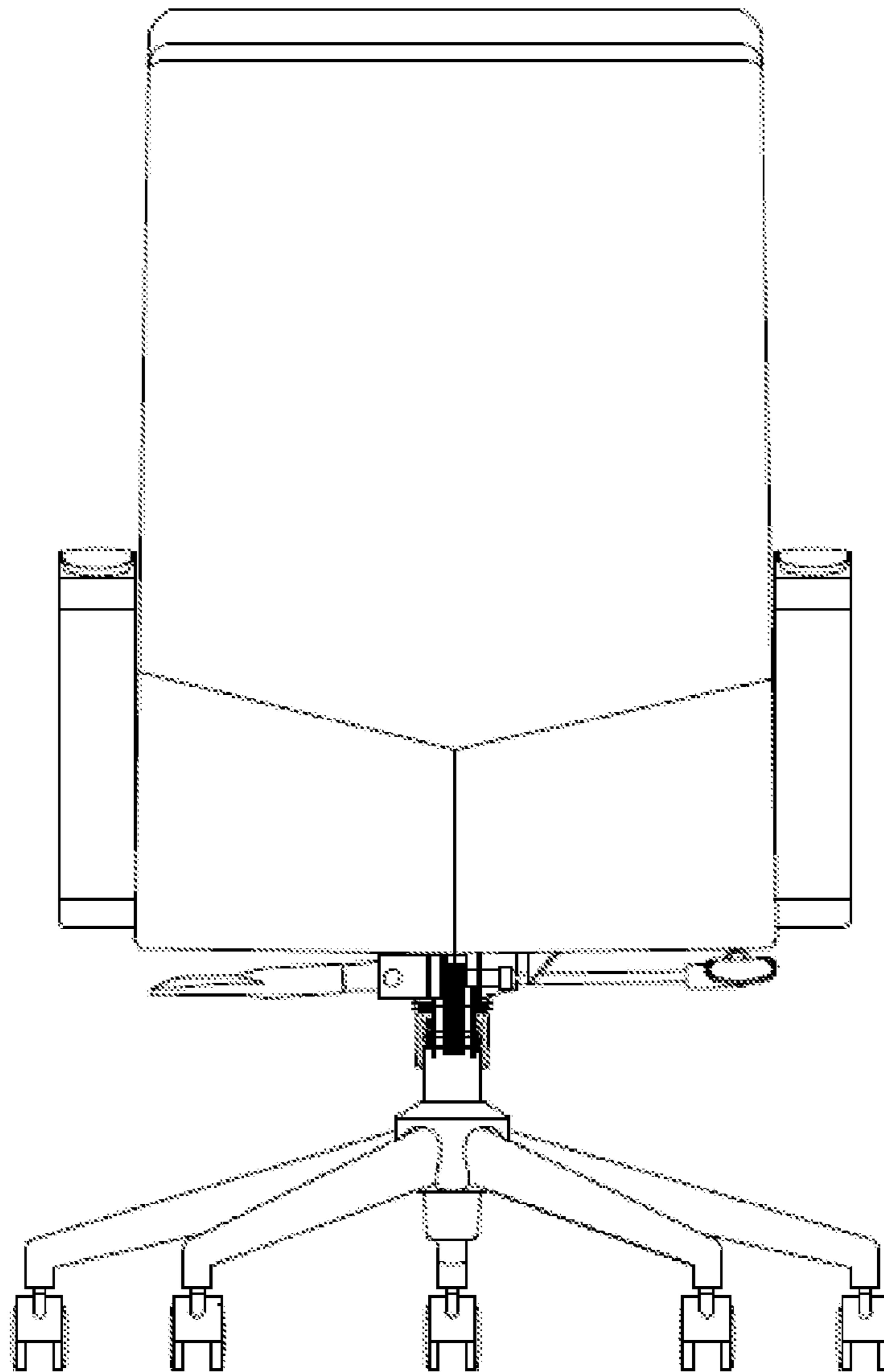


FIGURE 5

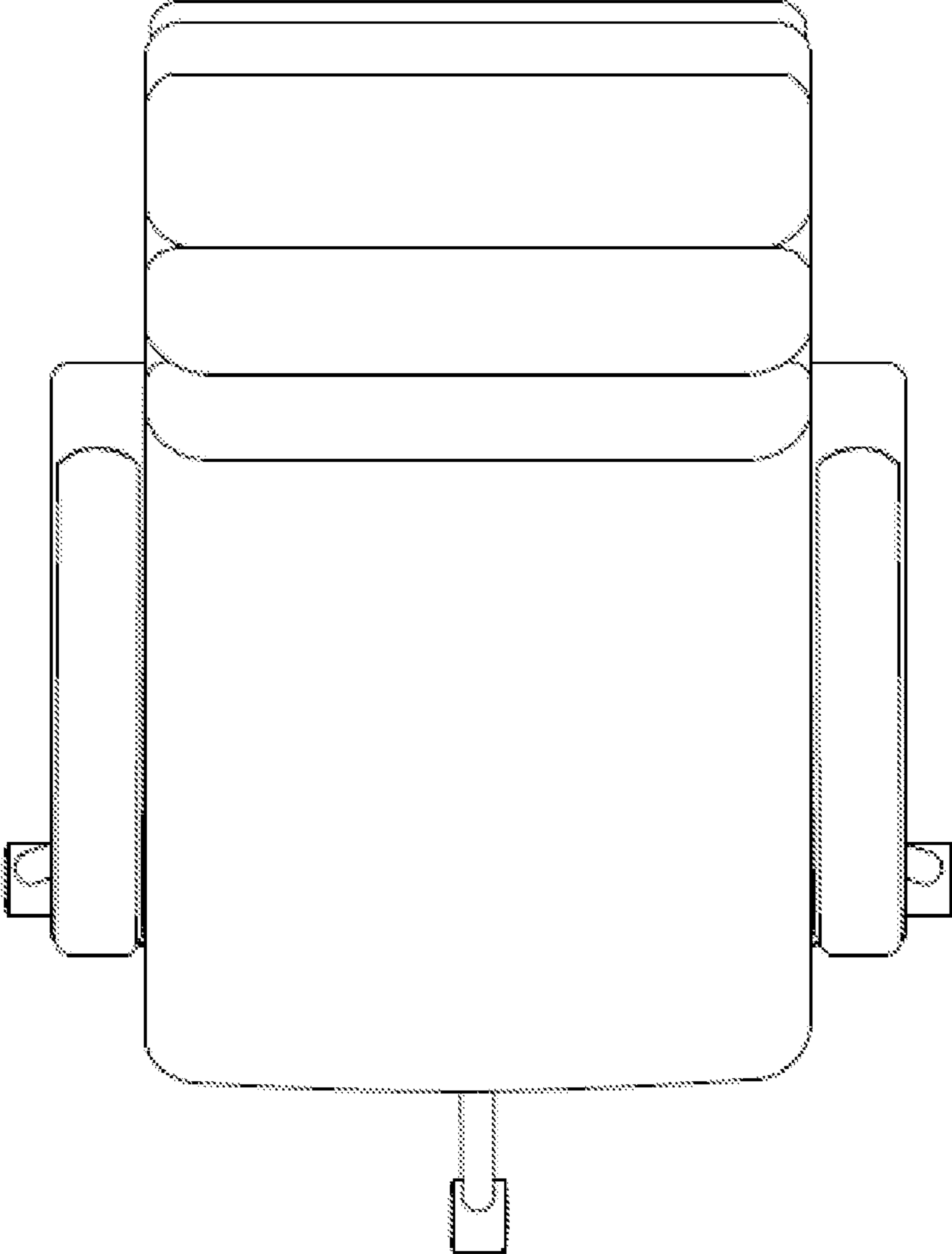


FIGURE 6