



US00D659418S

(12) **United States Design Patent**
Huang

(10) **Patent No.:** **US D659,418 S**

(45) **Date of Patent:** **** May 15, 2012**

(54) **CHAIR**

(76) Inventor: **William W. Huang**, Commerce, CA
(US)

(**) Term: **14 Years**

(21) Appl. No.: **29/376,280**

(22) Filed: **Oct. 5, 2010**

(51) **LOC (9) Cl.** **06-01**

(52) **U.S. Cl.** **D6/366**

(58) **Field of Classification Search** D6/334-336,
D6/364, 365, 366, 367, 368, 374, 379, 380,
D6/498, 500-502; 297/411.2, 411.27, 411.28,
297/411.44, 452.21, 452.24, 452.26, 452.29,
297/452.32, 452.35

See application file for complete search history.

(56) **References Cited**

U.S. PATENT DOCUMENTS

D481,231 S * 10/2003 True D6/500
D494,391 S * 8/2004 True D6/500

D494,788 S * 8/2004 True D6/500
D508,352 S * 8/2005 True D6/500
D540,073 S * 4/2007 McDiarmid et al. D6/500
D543,716 S * 6/2007 Votteler et al. D6/366
D575,562 S * 8/2008 Loudon D6/500
D611,717 S * 3/2010 Huang D6/366

* cited by examiner

Primary Examiner — Mimoso De

(74) *Attorney, Agent, or Firm* — Jen-Feng Lee, Esq.

(57) **CLAIM**

I claim the ornamental design for a chair, as shown and described.

DESCRIPTION

FIG. 1 shows the perspective view of a chair showing my new design,

FIG. 2 shows the right view thereof,

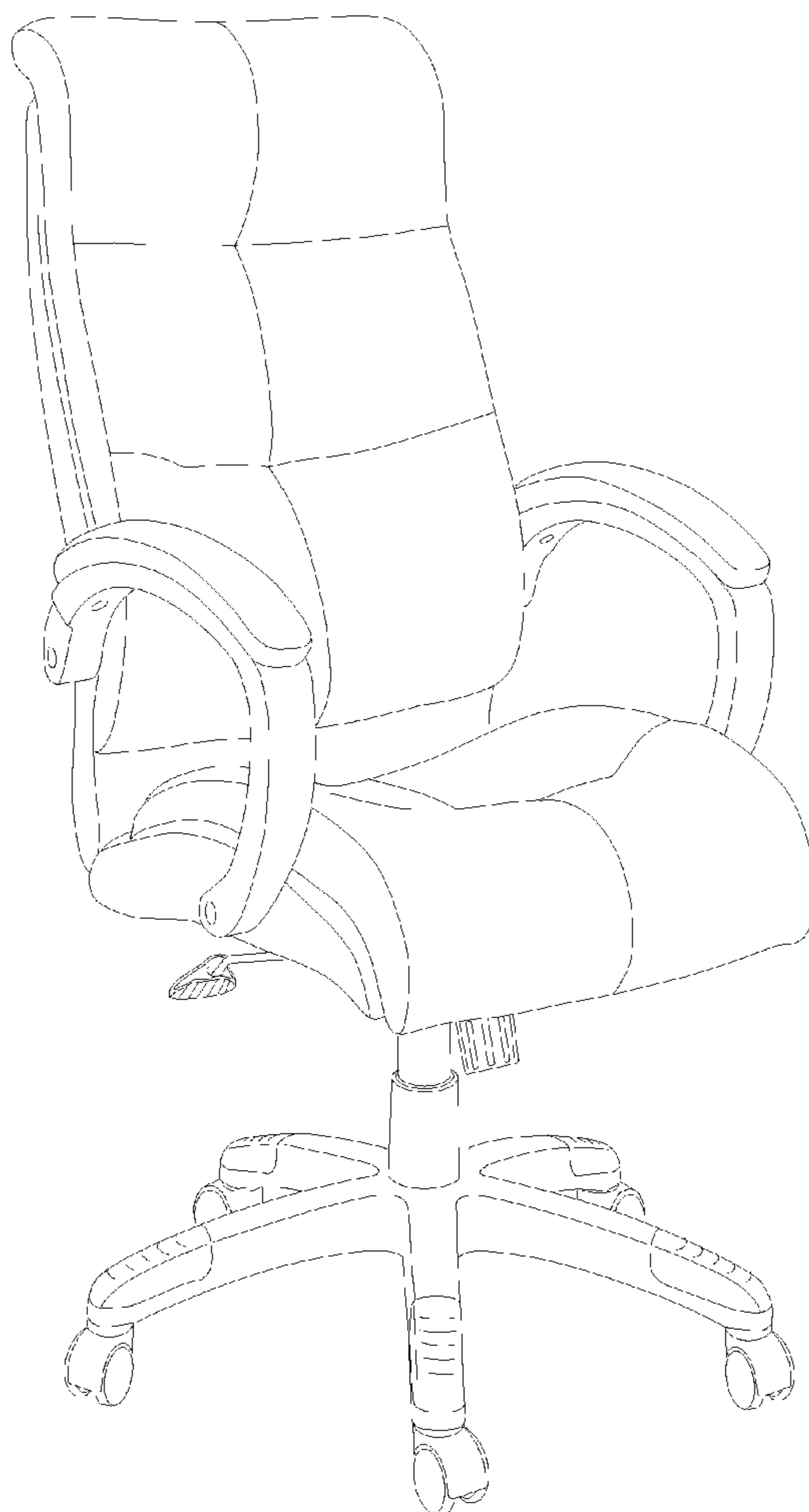
FIG. 3 shows the front side view thereof,

FIG. 4 shows the left side view thereof,

FIG. 5 shows the rear view thereof; and,

FIG. 6 shows the top plan view thereof.

1 Claim, 6 Drawing Sheets



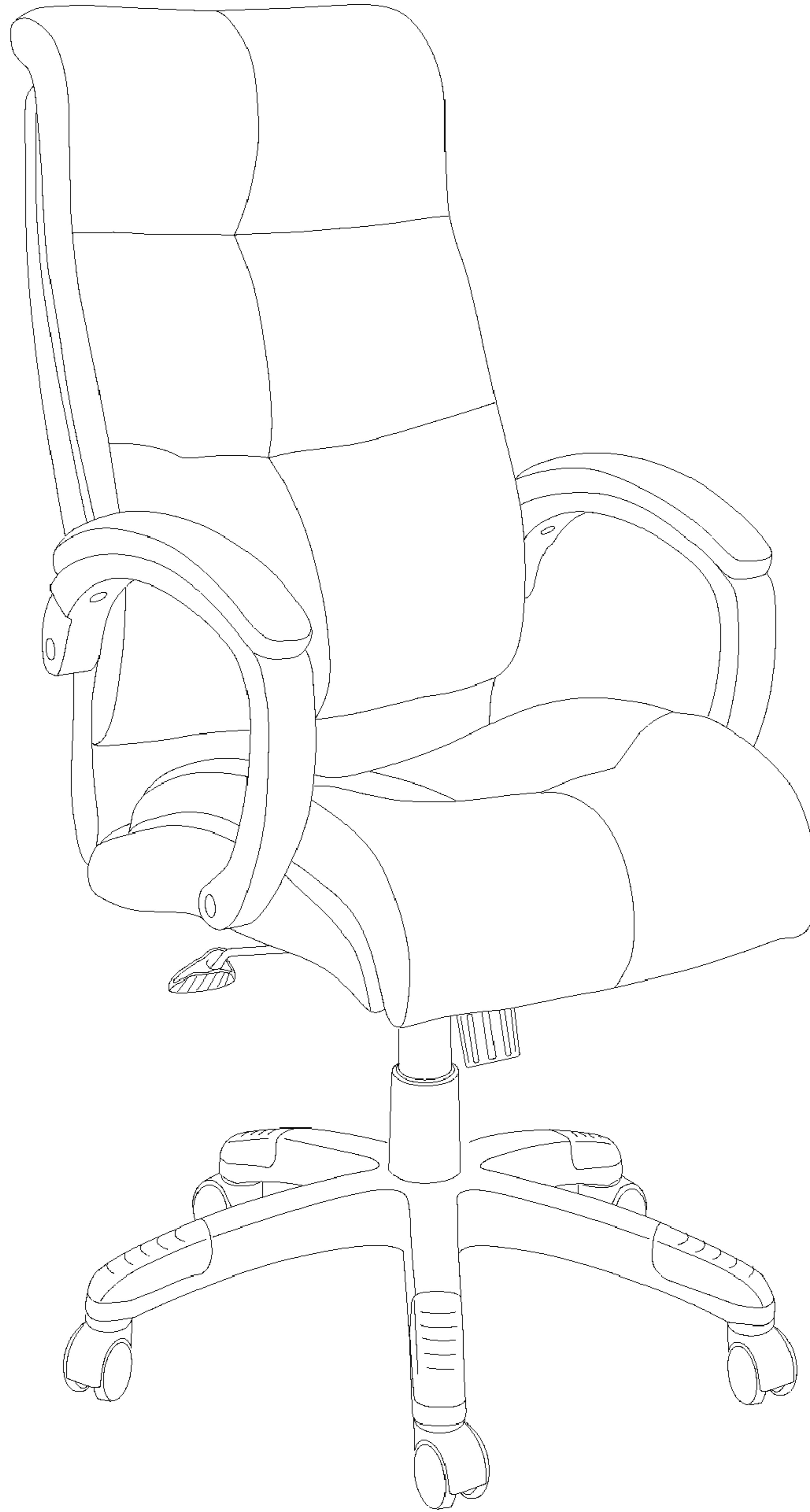


FIGURE 1

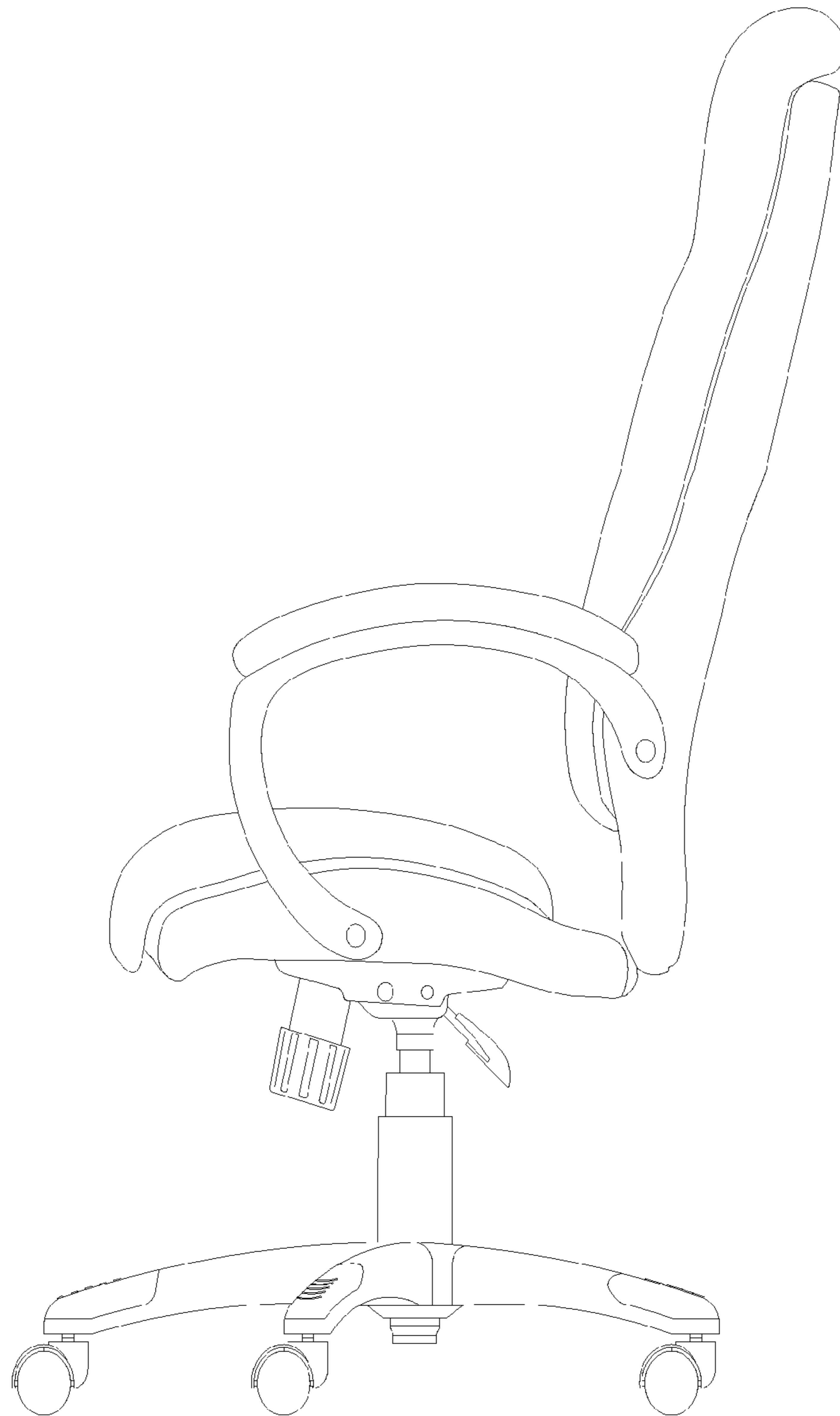


FIGURE 2

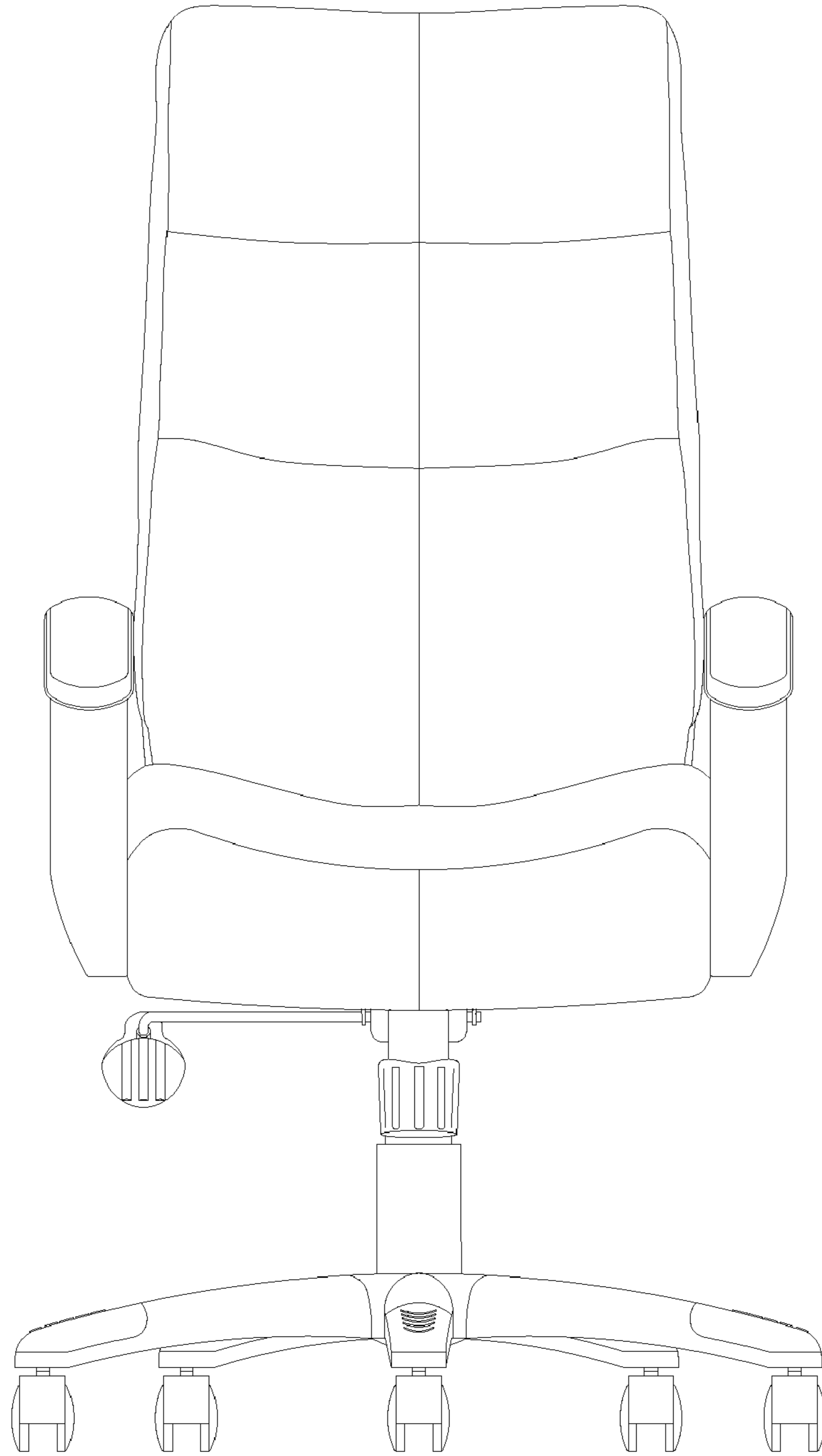


FIGURE 3

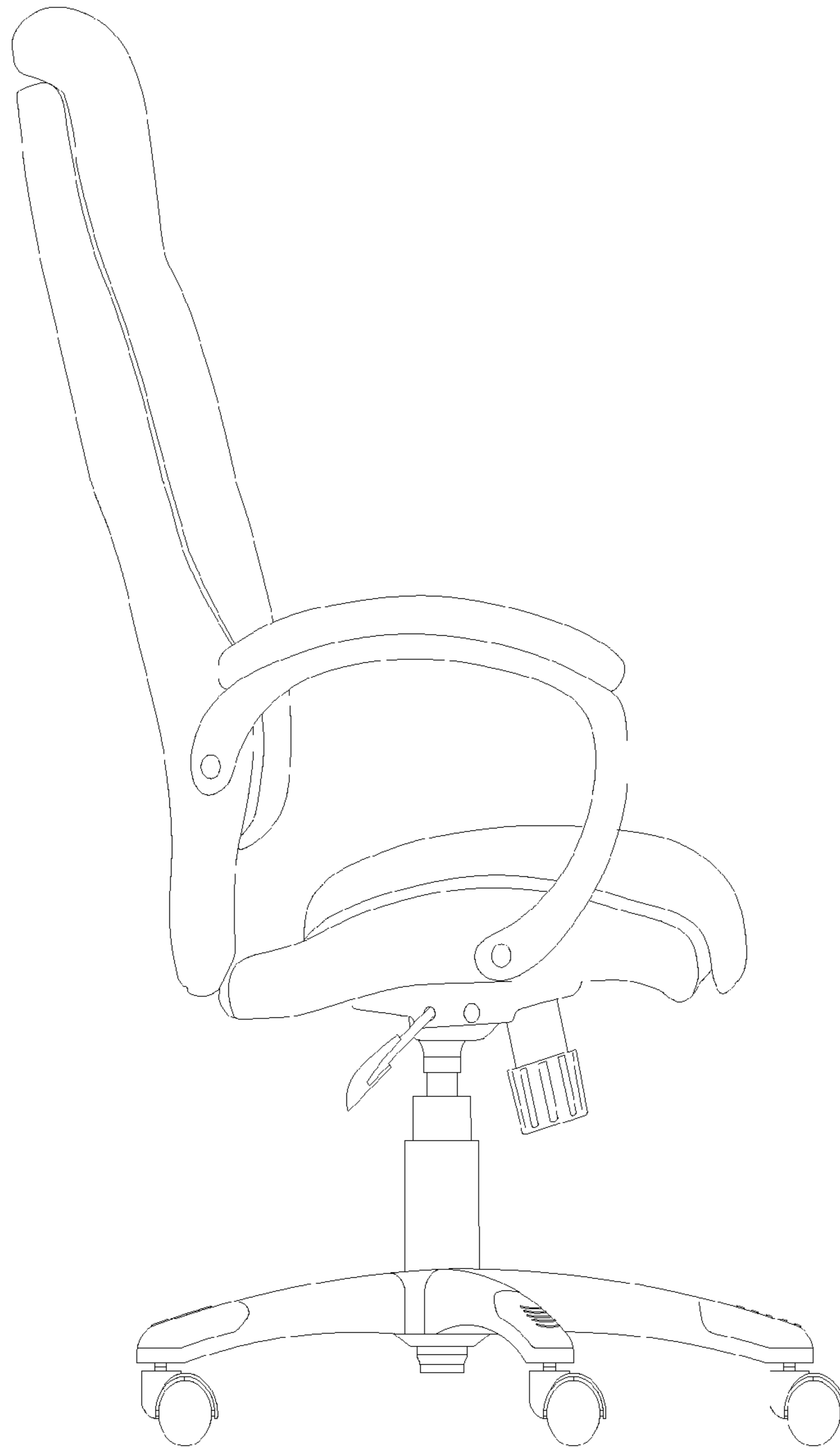


FIGURE 4

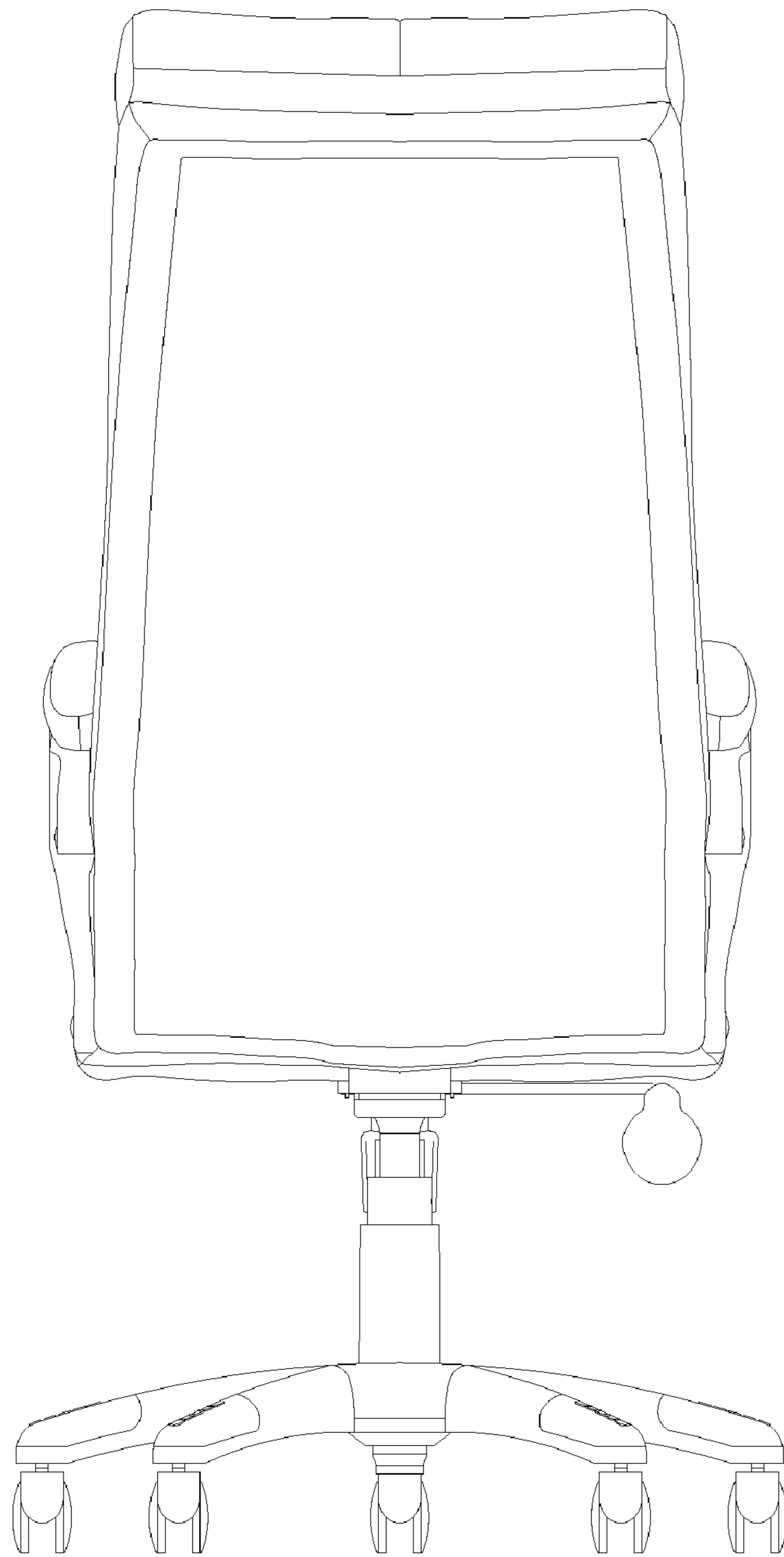


FIGURE 5

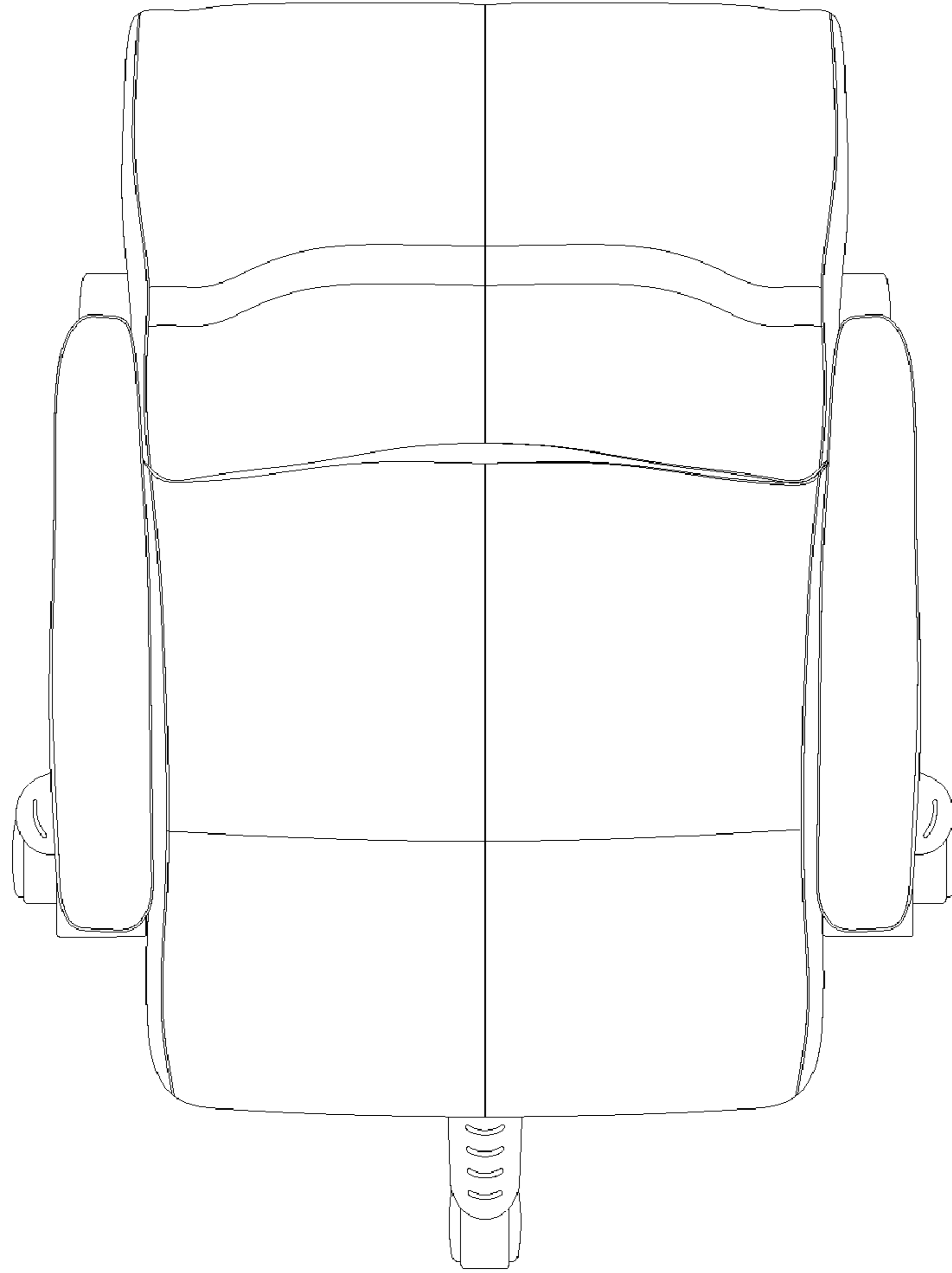


FIGURE 6