



US00D659417S

(12) **United States Design Patent**
Schmitz et al.

(10) **Patent No.:** **US D659,417 S**

(45) **Date of Patent:** **** May 15, 2012**

(54) **CHAIR AND COMPONENTS THEREOF**

(75) Inventors: **Johann Burkhard Schmitz**, Berlin (DE); **Claudia Plikat**, Berlin (DE); **Carola E. M. Zwick**, Berlin (DE); **Roland R. O. Zwick**, Berlin (DE)

(73) Assignee: **Herman Miller, Inc.**, Zeeland, MI (US)

(**) Term: **14 Years**

(21) Appl. No.: **29/363,143**

(22) Filed: **Jun. 4, 2010**

(51) **LOC (9) Cl.** **06-01**

(52) **U.S. Cl.** **D6/366**

(58) **Field of Classification Search** D6/334-336,
D6/360-380, 500-502; 297/445.1, 446.1,
297/447.7, 452.63

See application file for complete search history.

(56) **References Cited**

U.S. PATENT DOCUMENTS

946,225	A	1/1910	Irwin
2,163,078	A	6/1939	Zerbee
2,771,122	A	11/1956	Straub
3,041,109	A	6/1962	Eames et al.
3,120,407	A	2/1964	Propst
3,230,011	A	1/1966	Propst
3,586,370	A	6/1971	Barecki et al.
3,640,576	A	2/1972	Morrison et al.

(Continued)

FOREIGN PATENT DOCUMENTS

AU 6563380 A1 1/1983

(Continued)

OTHER PUBLICATIONS

Herman Miller for Business, "Eames Aluminum Group & Soft Pad Chairs," [online][retrieved from internet: URL <http://www.hermanmiller.com/CDA/SSA/Product/1,1592,a10-c440-p39,00.html>], [retrieved—date unknown], 2 pages.

(Continued)

Primary Examiner — Caron D. Veynar

Assistant Examiner — Ricky Pham

(74) *Attorney, Agent, or Firm* — Brinks Hofer Gilson & Lione

(57) **CLAIM**

The ornamental design for a chair and components thereof, as shown and described.

DESCRIPTION

FIG. 1 is a perspective view of a chair and components thereof;

FIG. 2 is a left side view of the chair and components thereof shown in FIG. 1;

FIG. 3 is a right side view of the chair and components thereof shown in FIG. 1;

FIG. 4 is a rear view of the chair and components thereof shown in FIG. 1;

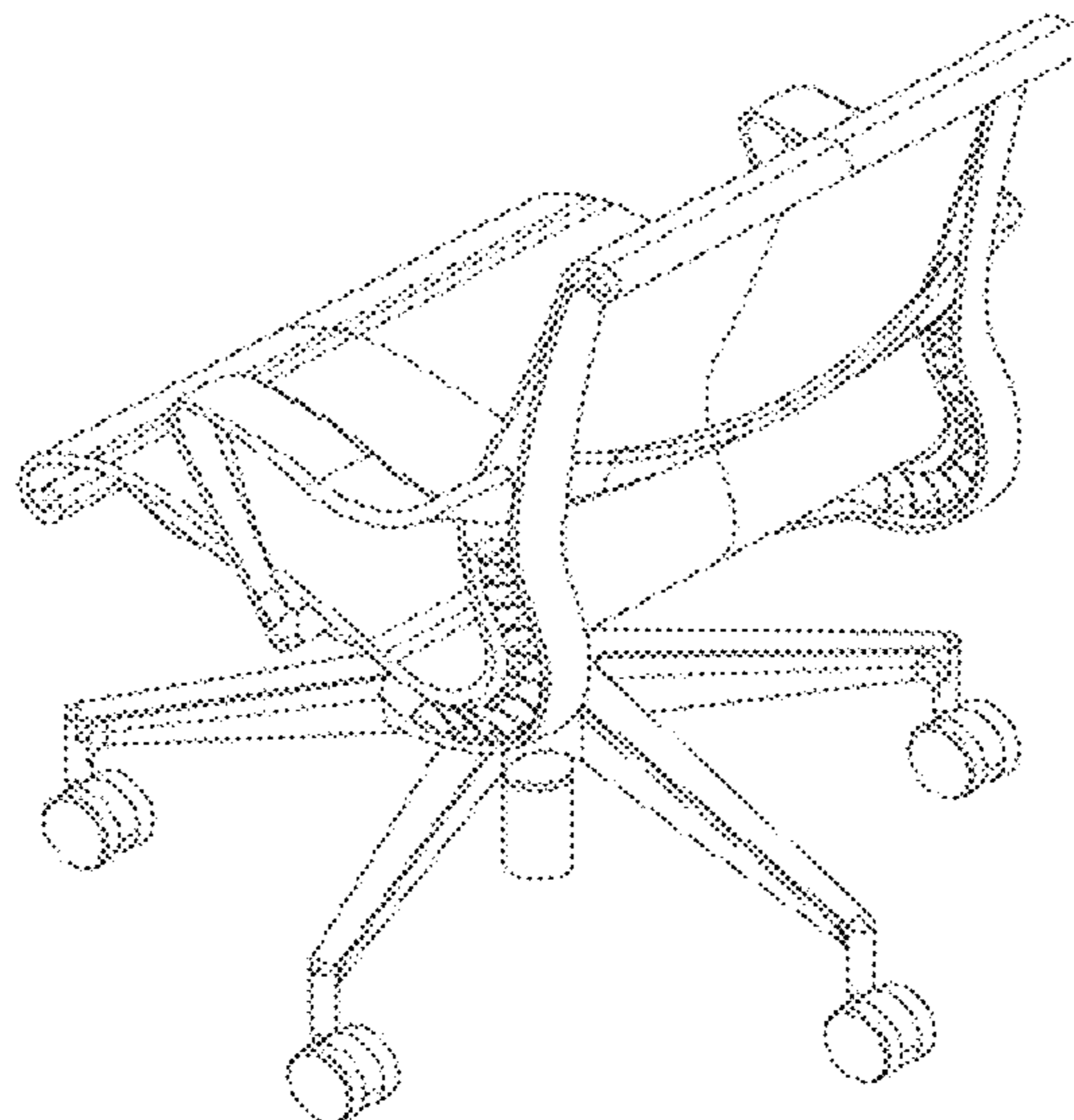
FIG. 5 is a front view of the chair and components thereof shown in FIG. 1;

FIG. 6 is a top view of the chair and components thereof shown in FIG. 1; and,

FIG. 7 is a bottom view of the chair and components thereof shown in FIG. 1.

Any broken lines in the drawings are for illustrative purposes to show boundaries and form no part of the claimed design.

1 Claim, 7 Drawing Sheets



US D659,417 S

Page 2

U.S. PATENT DOCUMENTS

3,844,612	A	10/1974	Borggren et al.	
D235,298	S	6/1975	Schuyler	
4,036,527	A	7/1977	Faul	
4,062,590	A	12/1977	Polsky et al.	
4,230,365	A	10/1980	Messinger	
4,522,444	A	6/1985	Pollock	
4,533,177	A	8/1985	Latone	
4,592,126	A	6/1986	Bottemiller	
4,703,974	A	11/1987	Bräuning	
4,889,385	A	12/1989	Chadwick	
4,988,145	A	1/1991	Engel	
D320,034	S	9/1991	Brooks et al.	
5,102,196	A	4/1992	Kaneda et al.	
D348,570	S	* 7/1994	Scheper et al.	D6/366
5,352,022	A	10/1994	Knoblock	
D354,631	S	* 1/1995	Orlandini et al.	D6/366
5,518,294	A	5/1996	Ligon, Sr. et al.	
D377,431	S	1/1997	Stumpf et al.	
5,649,743	A	7/1997	Skalka	
D386,023	S	11/1997	Stumpf et al.	
D390,026	S	2/1998	Biecher	
5,954,399	A	9/1999	Hong	
5,975,634	A	11/1999	Knoblock et al.	
6,015,187	A	1/2000	Roslund et al.	
D422,802	S	4/2000	Deacon	
6,070,937	A	6/2000	Ginat	
6,116,686	A	9/2000	Luo	
6,120,101	A	9/2000	Zimmerman	
D435,976	S	1/2001	Deacon	
D436,259	S	1/2001	Nagamitsu	
D436,260	S	1/2001	Nagamitsu	
D437,132	S	2/2001	Nagamitsu	
D437,703	S	2/2001	Deacon	
D441,977	S	5/2001	Vaaler	
D442,383	S	5/2001	Bell	
D444,309	S	7/2001	Nagamitsu	
6,257,665	B1	7/2001	Nagamitsu et al.	
D449,173	S	10/2001	Chang	
6,435,615	B1	8/2002	Zapf	
D465,347	S	11/2002	Bell	
6,505,890	B2	1/2003	Riley et al.	
D469,618	S	2/2003	Nagamitsu	
D469,970	S	2/2003	Molteni	
D474,051	S	5/2003	Tseng	
D474,052	S	5/2003	True	
D476,493	S	7/2003	Nagamitsu	
D476,820	S	7/2003	Nagamitsu	
D481,560	S	11/2003	Vidmar et al.	
D482,542	S	11/2003	Pluer	
D487,359	S	3/2004	Giugiaro	
D489,542	S	5/2004	Giugiaro	
6,749,261	B2	6/2004	Knoblock et al.	
6,820,936	B2	11/2004	Wilkerson et al.	
D509,969	S	9/2005	Loew et al.	
D511,629	S	11/2005	Caldwell	
D512,578	S	12/2005	Igarashi	
D512,579	S	12/2005	Igarashi	
D513,910	S	1/2006	Gehry	
6,986,549	B2	1/2006	Kniese	
6,991,291	B2	1/2006	Knoblock et al.	
D514,345	S	2/2006	Igarashi	
D514,838	S	2/2006	Igarashi	
D526,495	S	8/2006	Albin	
7,097,249	B2	8/2006	Igarashi et al.	
D527,920	S	9/2006	Giugiaro	
D528,810	S	9/2006	Giugiaro	

D528,811	S	9/2006	Giugiaro	
D528,812	S	9/2006	Giugiaro	
D535,831	S	* 1/2007	Huang	D6/366
D540,557	S	4/2007	Doughty	
D542,549	S	5/2007	Hara	
D542,580	S	5/2007	Loew et al.	
D543,039	S	5/2007	Hara	
D543,040	S	5/2007	Hara	
D543,041	S	5/2007	Hara	
D543,042	S	5/2007	Hara	
D543,369	S	5/2007	Hara	
D543,371	S	5/2007	Wang	
D543,385	S	5/2007	Loew et al.	
D543,388	S	* 5/2007	Machael et al.	D6/501
D543,397	S	5/2007	Loew et al.	
D543,736	S	6/2007	Shields	
7,243,993	B2	7/2007	Igarashi et al.	
D550,467	S	* 9/2007	Koepke et al.	D6/366
D550,471	S	9/2007	Igarashi	
D550,977	S	9/2007	Igarashi	
D552,368	S	10/2007	Scheper et al.	
D552,882	S	10/2007	Saotome	
D554,384	S	11/2007	Scheper et al.	
D555,924	S	11/2007	Igarashi	
D557,921	S	12/2007	Kane	
D559,000	S	1/2008	Vanderminde	
D560,381	S	* 1/2008	Dauphin	D6/366
D564,766	S	* 3/2008	Zimmermann et al.	D6/366
D568,074	S	* 5/2008	Koepke et al.	D6/501
D572,915	S	7/2008	Doughty	
D573,816	S	7/2008	Muller	
D589,271	S	* 3/2009	Neil	D6/366
D591,986	S	5/2009	Schmitz et al.	
D618,469	S	* 6/2010	Romero	D6/366
D641,576	S	* 7/2011	Giugiaro	D6/502
D647,717	S	* 11/2011	Zund et al.	D6/366
2004/0245839	A1	* 12/2004	Bodnar et al.	297/452.63
2006/0238009	A1	10/2006	Igarashi et al.	
2006/0244295	A1	11/2006	Igarashi et al.	

FOREIGN PATENT DOCUMENTS

DE	4433663	A1	3/1996
DE	19916411	A1	11/2000
EP	049310	B1	3/1985
EP	860355	A1	8/1998
EP	1040999	A2	10/2000
FR	2715124	A1	7/1995
JP	D1284784		10/2006
LU	88528	A	3/1996

OTHER PUBLICATIONS

United States Patent and Trademark Office, Trademark, Principal Register, Reg. No. 3,105,591, registered Jun. 20, 2006, 1 page.

Okamura Corporation, "Baron Ergonomic Mesh Chair," copyright 2005, [online][retrieved from internet: URL <http://www.okamura.co.jp/english/product/office/baron/index.html>], [retrieved on Mar. 31, 2008], 1 page.

U.S. Appl. No. 29/363,349, entitled Body Support Structure, for inventors Schmitz et al., filed Jun. 8, 2010.

U.S. Appl. No. 29/363,351, entitled Body Support Structure, for inventors Schmitz et al., filed Jun. 8, 2010.

U.S. Appl. No. 29/291,968, entitled Body Support Structure, for Inventors Schmitz et al., filed Sep. 21, 2007.

Keilhauer brochure, "Filo", 2001©, 4 pages.

* cited by examiner

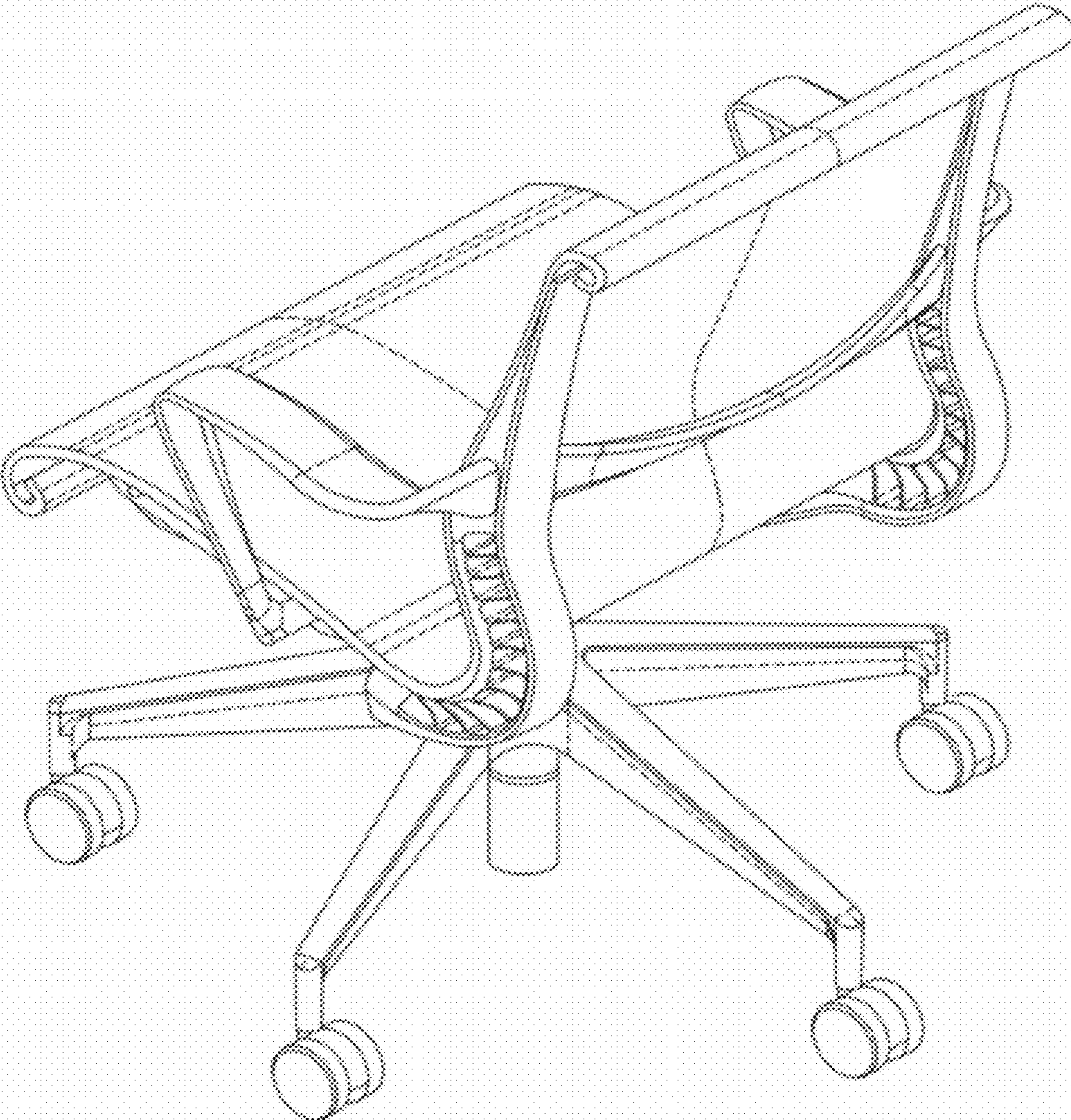


FIG. 1

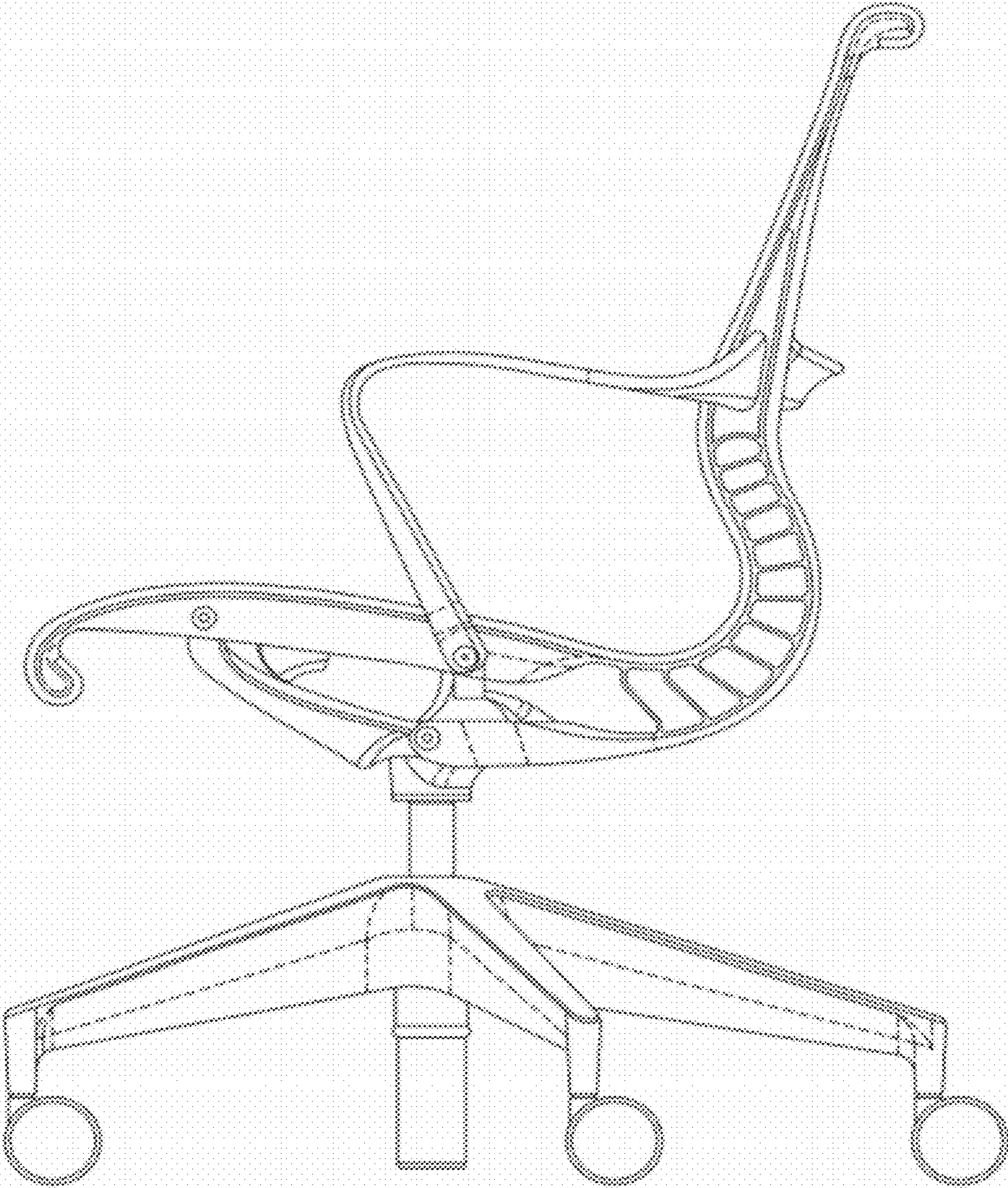


FIG.2

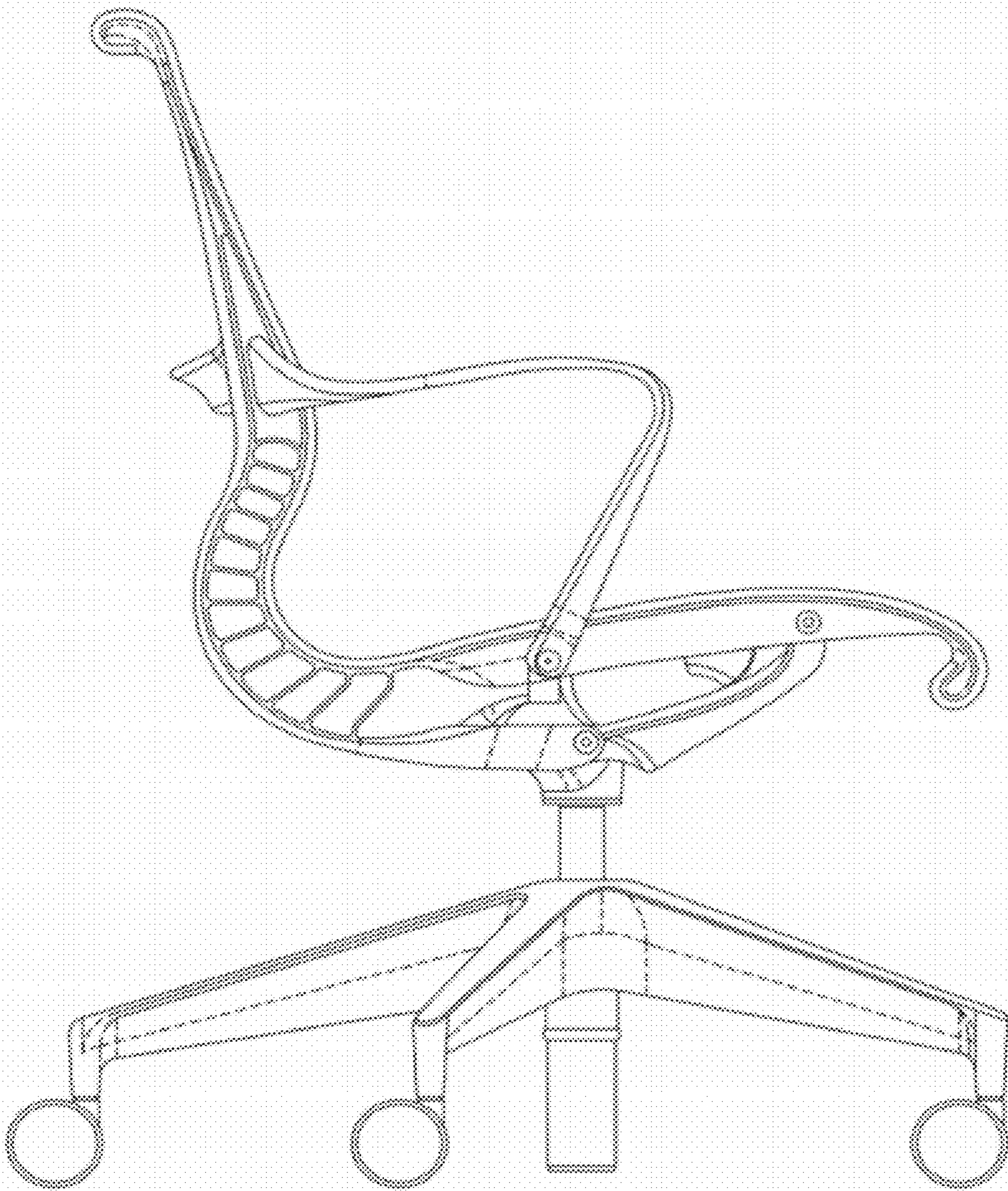


FIG. 3

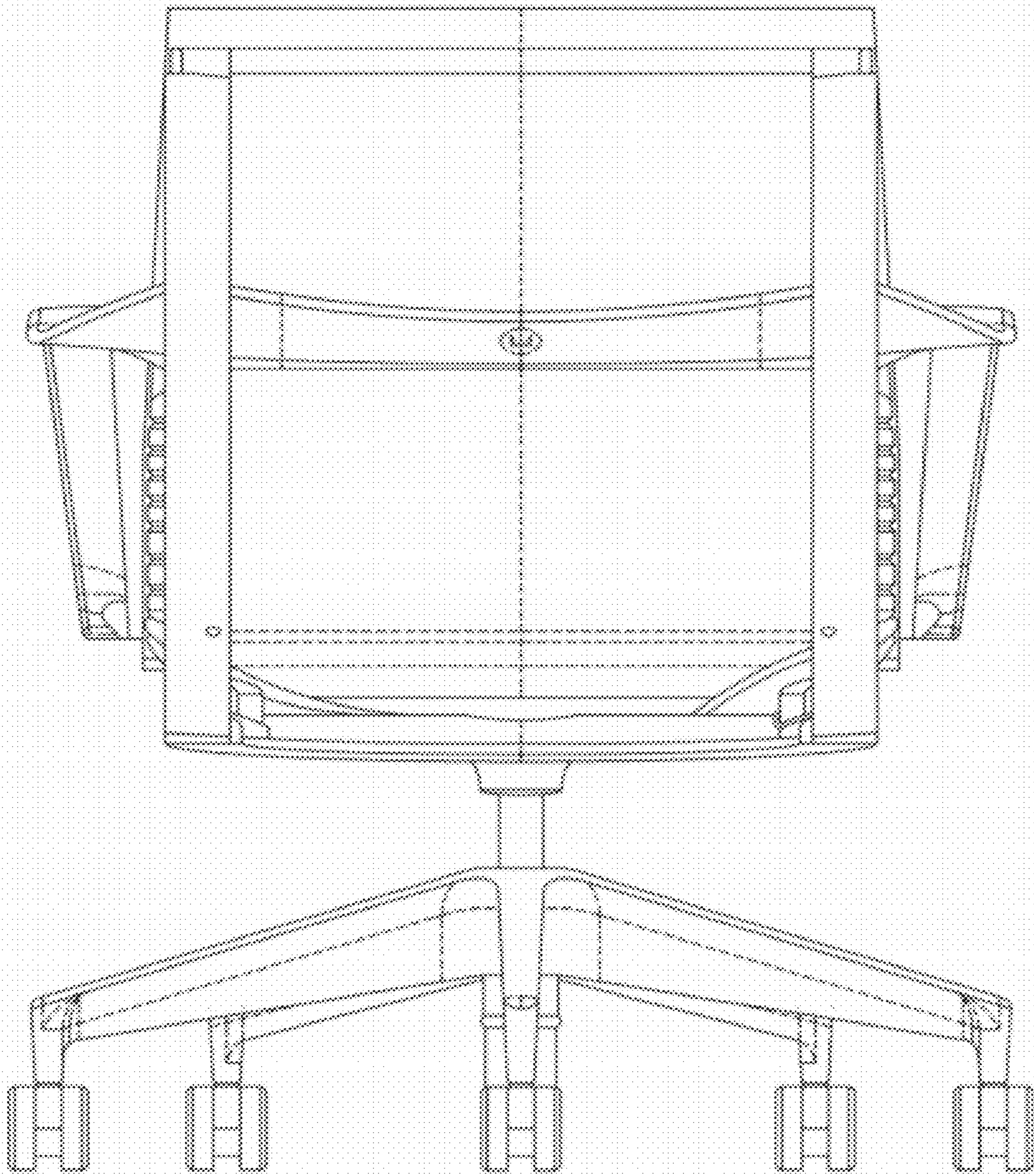


FIG.4

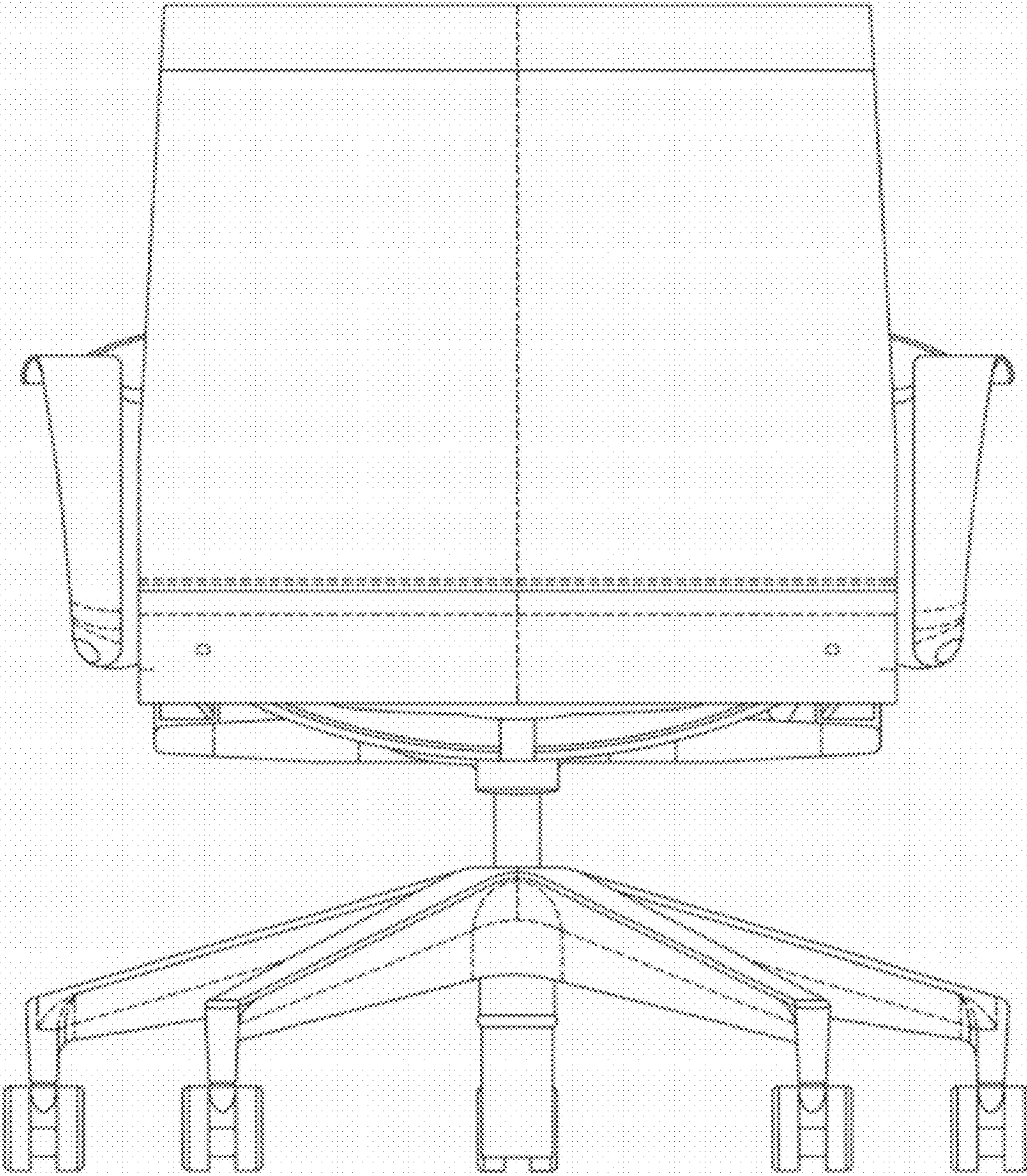
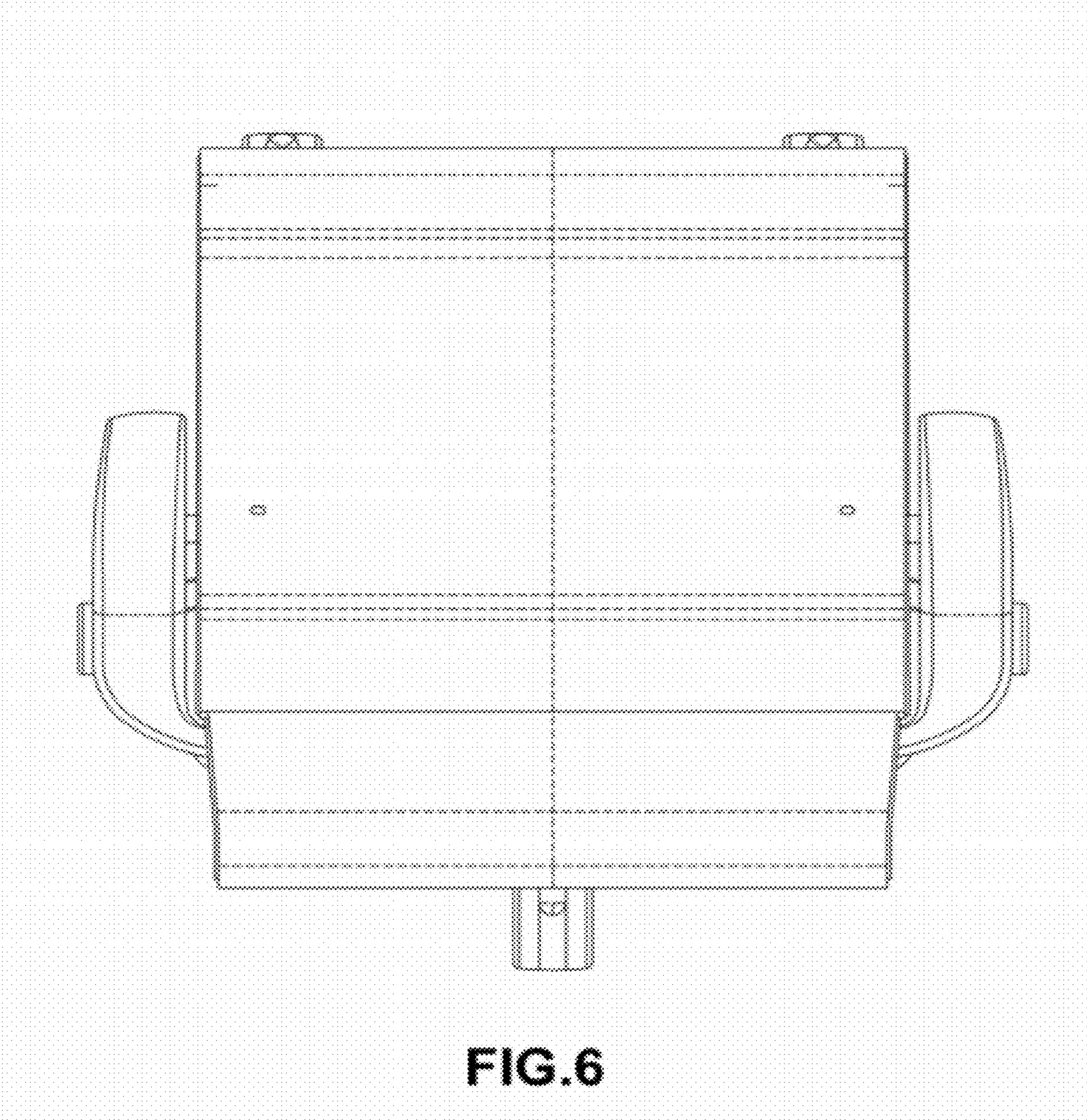


FIG. 5



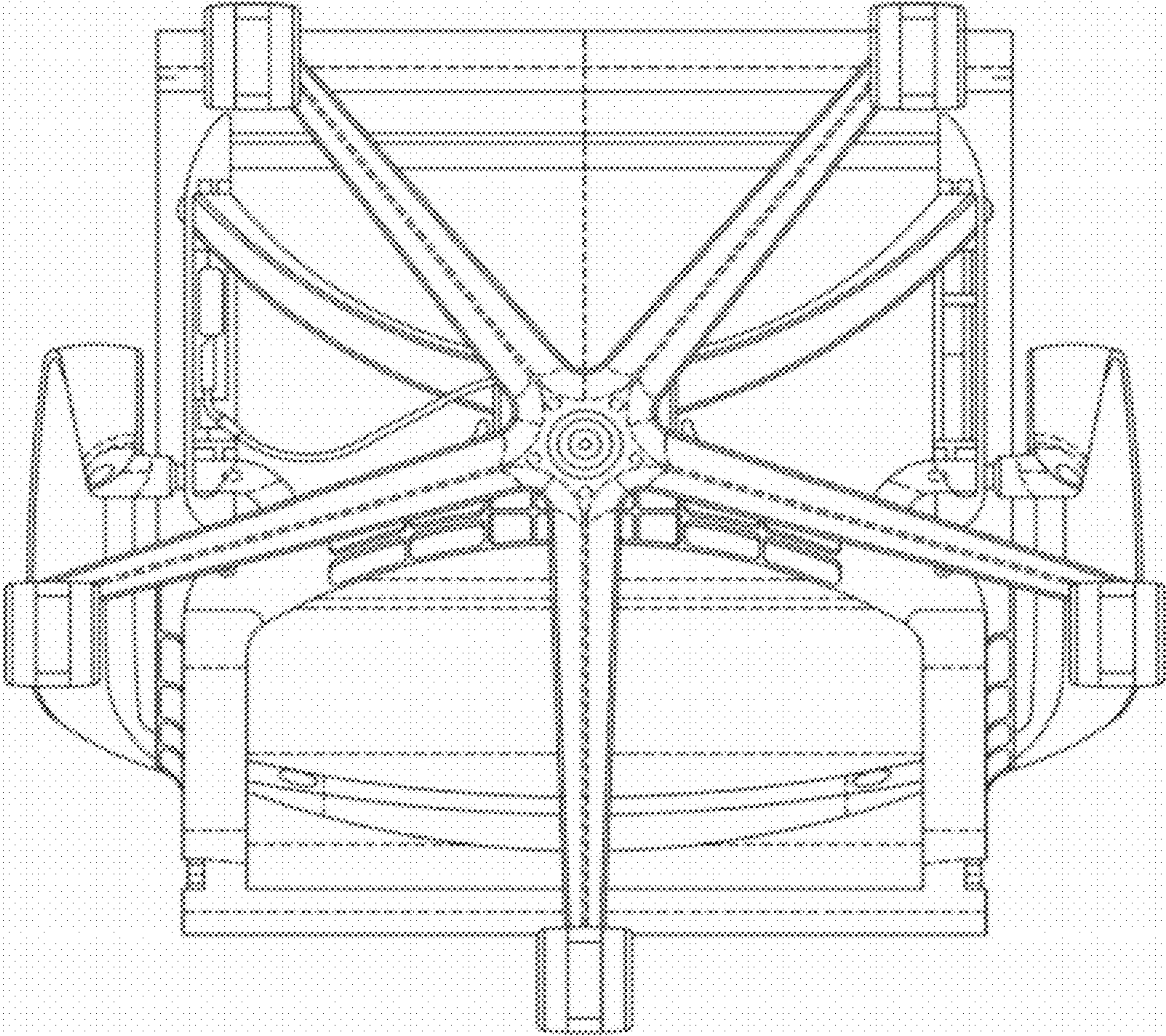


FIG. 7