



US00D659415S

(12) **United States Design Patent**
Soto et al.

(10) **Patent No.:** **US D659,415 S**

(45) **Date of Patent:** **** May 15, 2012**

(54) **BENCH**

(75) Inventors: **Alvaro Soto**, Oakland Gardens, NY
(US); **Alexander Lamis**, New York, NY
(US); **Michael A. Weber**, Brooklyn, NY
(US); **Nathaniel Pearson**, Brooklyn, NY
(US)

(73) Assignee: **Landscape Forms Inc.**, Kalamazoo, MI
(US)

(**) Term: **14 Years**

(21) Appl. No.: **29/381,679**

(22) Filed: **Dec. 22, 2010**

(51) **LOC (9) Cl.** **06-01**

(52) **U.S. Cl.** **D6/355**

(58) **Field of Classification Search** D6/334-336,
D6/349, 355, 370, 374, 376, 379, 380, 381,
D6/500-502; 297/232, 445.1, 446.1, 452.63
See application file for complete search history.

(56) **References Cited**

U.S. PATENT DOCUMENTS

D365,937 S *	1/1996	Skalka	D6/370
D371,464 S *	7/1996	Lewis	D6/355
D423,239 S *	4/2000	Hornyak	D6/355
D457,334 S *	5/2002	Slear	D6/355
D457,738 S *	5/2002	Slear et al.	D6/355

D512,229 S *	12/2005	Reza-Hadden	D6/355
D559,569 S *	1/2008	Pappas	D6/355
D582,169 S *	12/2008	Skalka	D6/355

OTHER PUBLICATIONS

<http://www.Maglin.com>, "Park it Here", MLBI400B, 2010.

* cited by examiner

Primary Examiner — Mimoso De

(74) *Attorney, Agent, or Firm* — Heslin Rothenberg Farley
& Mesiti P.C.

(57) **CLAIM**

The ornamental design for the bench, as shown and described.

DESCRIPTION

This application is related to commonly assigned, concurrently filed application Ser. No. 29/381,680.

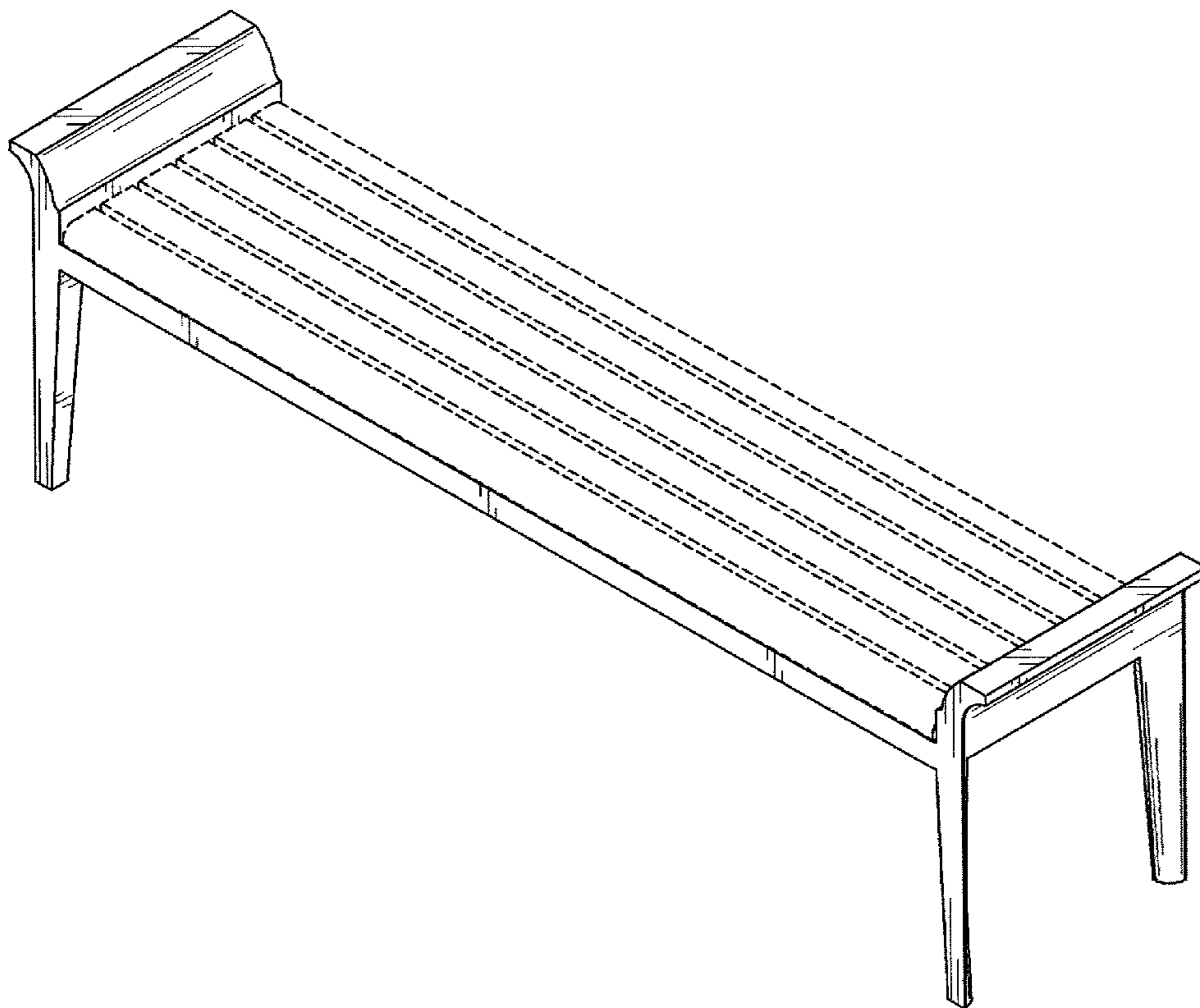
FIG. 1 is an isometric view of the bench of the present design; FIG. 2 is a front elevation view thereof, the rear elevation view being identical thereto;

FIG. 3 is a right side elevation view thereof, the left side elevation view being identical thereto; and,

FIG. 4 is a top plan view thereof.

The broken lines in the figures are for illustrative purposes only and form no part of the claimed invention.

1 Claim, 4 Drawing Sheets



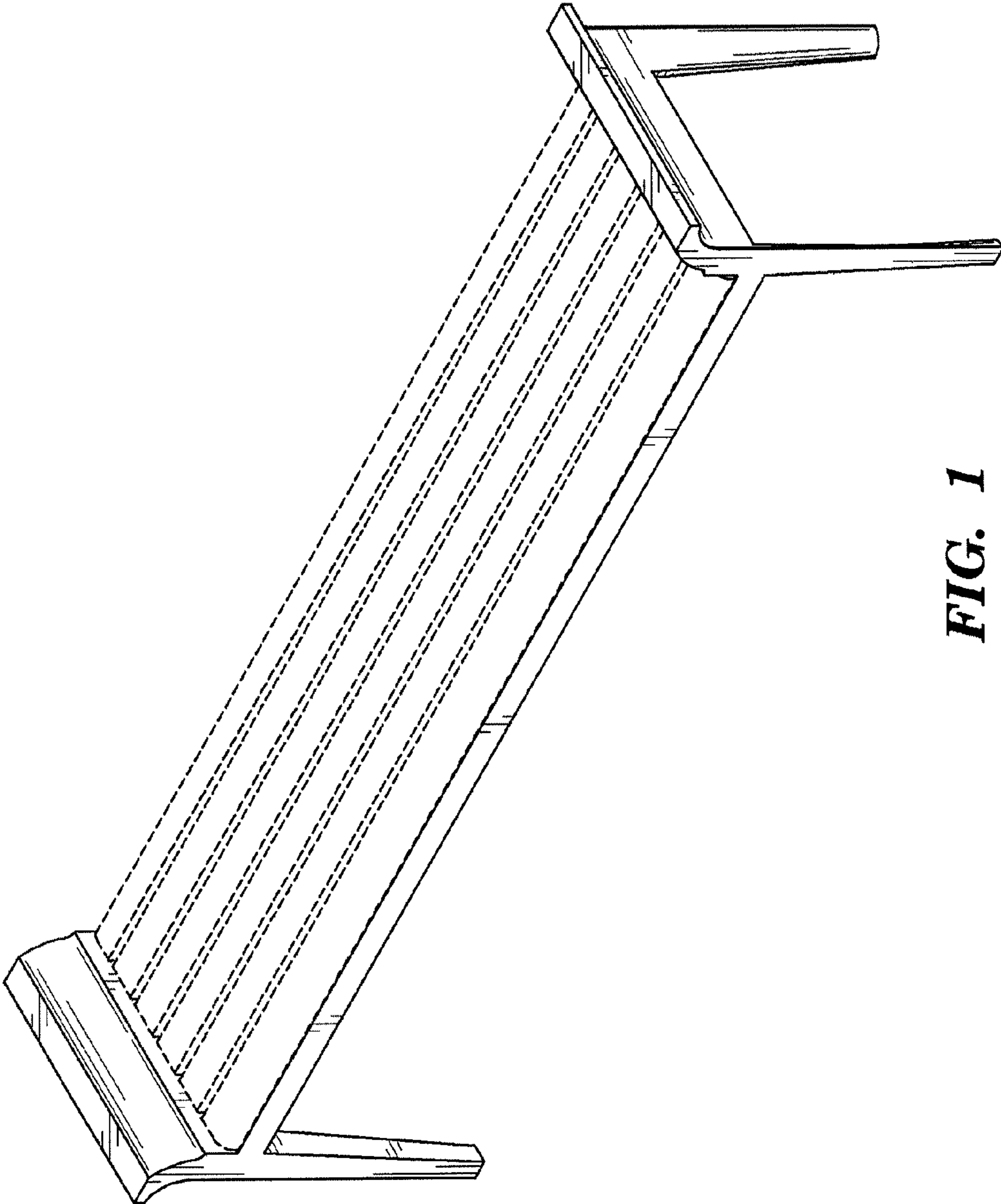


FIG. 1

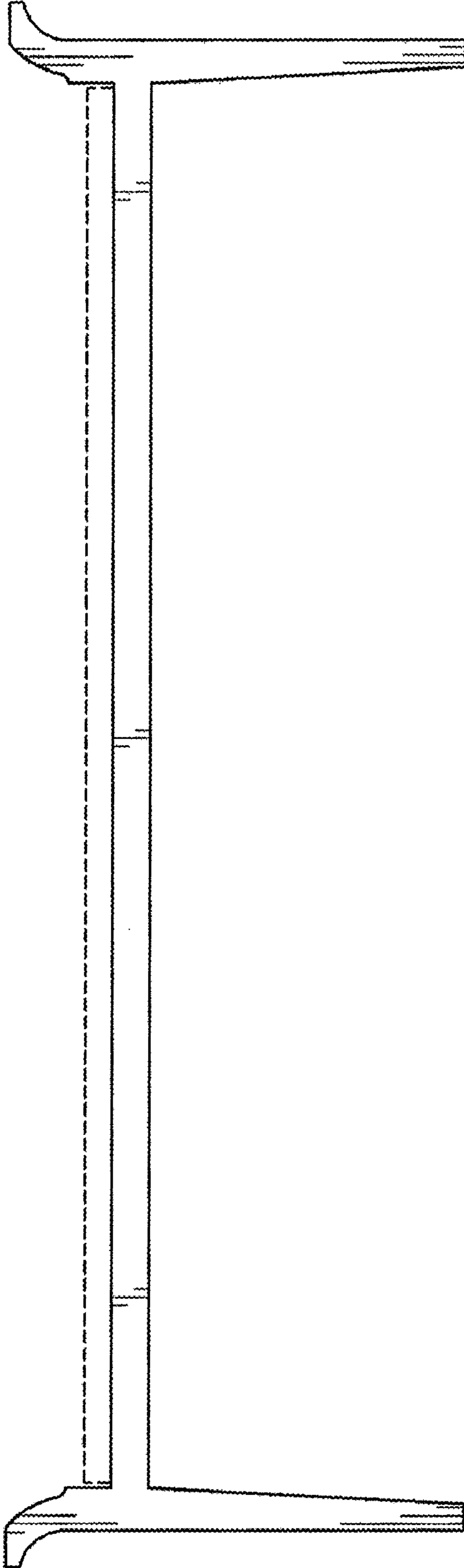


FIG. 2

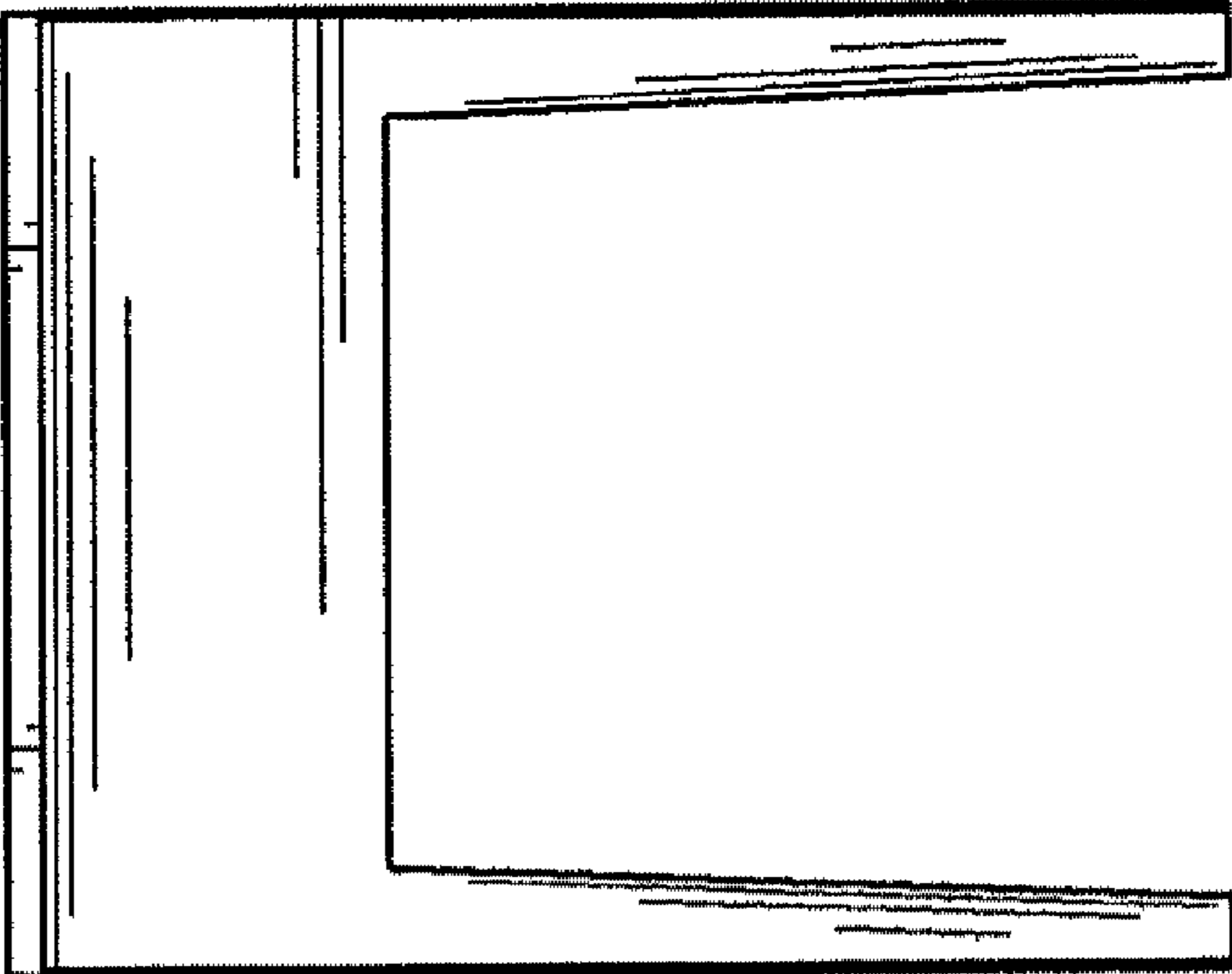


FIG. 3

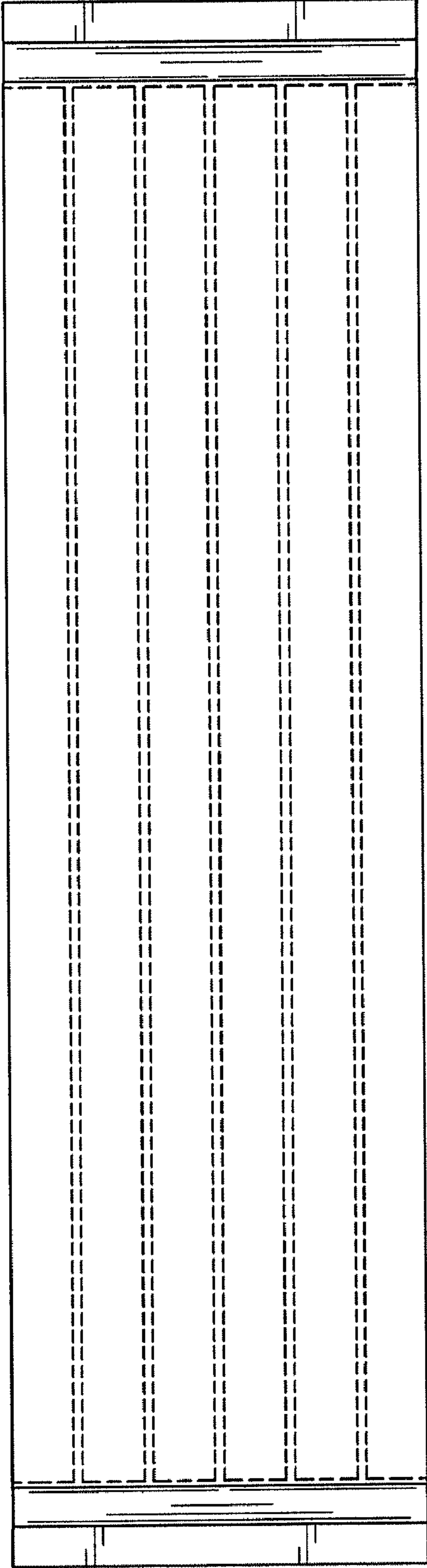


FIG. 4

UNITED STATES PATENT AND TRADEMARK OFFICE
CERTIFICATE OF CORRECTION

PATENT NO. : D659,415 S
APPLICATION NO. : 29/381679
DATED : May 15, 2012
INVENTOR(S) : Soto et al.

Page 1 of 1

It is certified that error appears in the above-identified patent and that said Letters Patent is hereby corrected as shown below:

Title Page

In the Assignee (73): Delete "Landscape Forms Inc." and insert --Landscape Forms, Inc.--

Signed and Sealed this
Fourth Day of September, 2012

A handwritten signature in black ink that reads "David J. Kappos". The signature is written in a cursive, slightly slanted style.

David J. Kappos
Director of the United States Patent and Trademark Office