



US00D659400S

(12) **United States Design Patent**
Kraemer

(10) **Patent No.:** **US D659,400 S**

(45) **Date of Patent:** **** *May 15, 2012**

(54) **ORGANIZER**

(75) Inventor: **Kevin Kraemer**, Cuyahoga Falls, OH
(US)

(73) Assignee: **InterDesign, Inc.**, Solon, OH (US)

(*) Notice: This patent is subject to a terminal disclaimer.

(**) Term: **14 Years**

(21) Appl. No.: **29/372,476**

(22) Filed: **Nov. 24, 2010**

(51) **LOC (9) Cl.** **03-01**

(52) **U.S. Cl.** **D3/304**

(58) **Field of Classification Search** D3/203.1,
D3/203.3, 205–206, 273, 276, 304–305, 307;
D19/75–77, 86, 90–92; D6/475–476, 525;
206/203, 214–215, 822, 307.1; 229/100,
229/406, 913–914

See application file for complete search history.

(56) **References Cited**

U.S. PATENT DOCUMENTS

D275,500 S *	9/1984	Tyke	D19/76
D365,730 S *	1/1996	Brightbill et al.	D7/641
D446,719 S *	8/2001	Garraway	D9/425
D502,045 S *	2/2005	Isler et al.	D7/354
D530,516 S	10/2006	Snell		
D530,918 S	10/2006	Snell		
D530,919 S	10/2006	Snell		
D530,920 S	10/2006	Snell		
D530,921 S	10/2006	Snell		
D538,535 S *	3/2007	Boutin	D3/304
D547,064 S	7/2007	Snell		
D549,456 S	8/2007	Dretzka		
D549,457 S	8/2007	Dretzka		

D551,453 S	9/2007	Snell		
D555,904 S	11/2007	Snell		
D557,047 S	12/2007	Dretzka		
D558,452 S *	1/2008	Richter	D3/304
D563,673 S	3/2008	Dretzka		
D579,662 S	11/2008	Dretzka		
D590,596 S	4/2009	Dretzka		

(Continued)

OTHER PUBLICATIONS

InterDesign, Inc. Product Catalog—2000, pp. 36, 46.

(Continued)

Primary Examiner — Kelley Donnelly

(74) *Attorney, Agent, or Firm* — D. Peter Hochberg; Sean F. Mellino; Daniel J. Smola

(57) **CLAIM**

The ornamental design for an organizer, as shown and described.

DESCRIPTION

FIG. 1 is a top perspective view of the organizer according to the invention;

FIG. 2 is a bottom perspective view of the organizer as shown in FIG. 1.

FIG. 3 is a top view of the organizer as shown in FIG. 1;

FIG. 4 is a side view of the organizer as shown in FIG. 1, which is identical to the other side view;

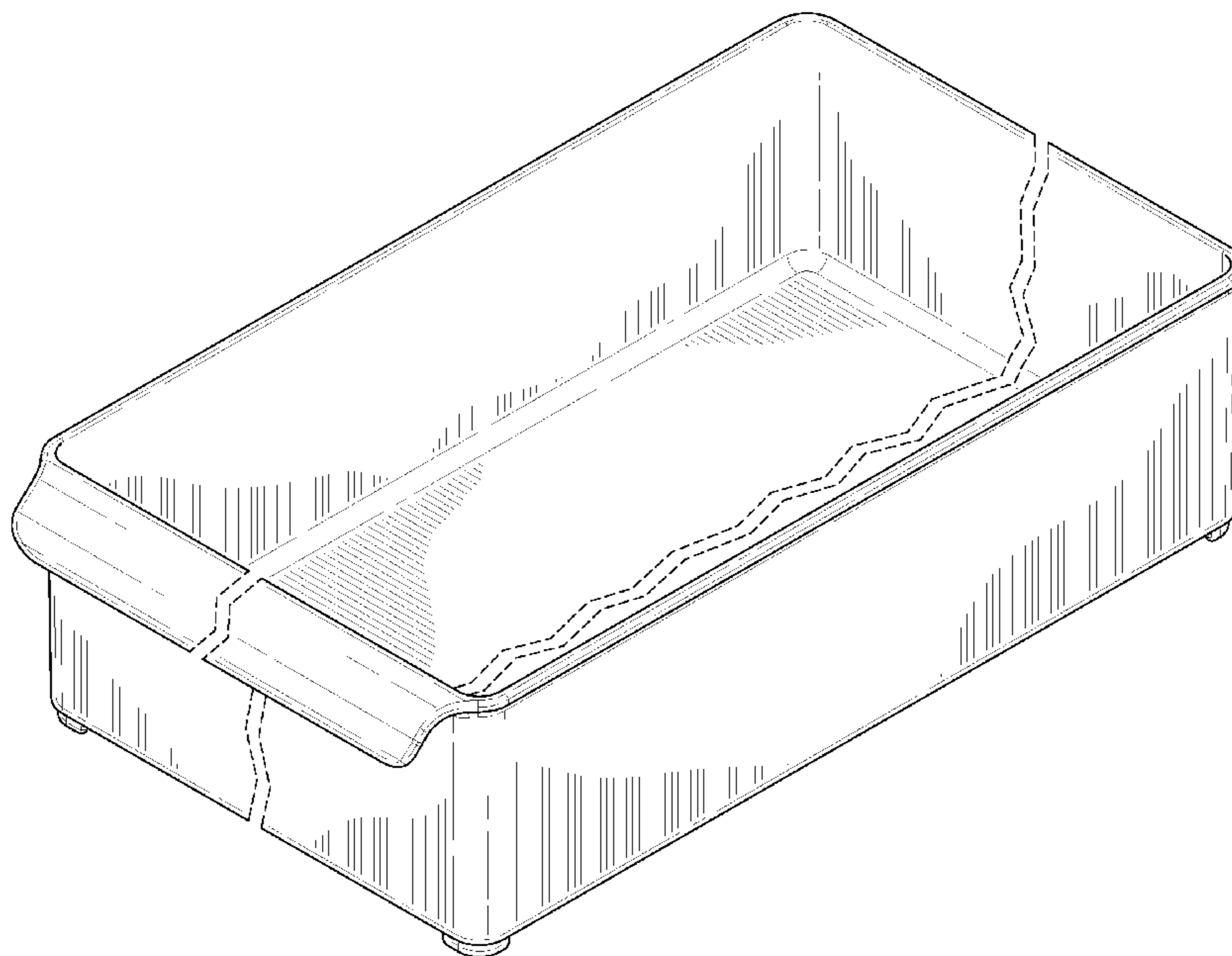
FIG. 5 is a rear view of the organizer as shown in FIG. 1;

FIG. 6 is a front view of the organizer as shown in FIG. 1; and,

FIG. 7 is a bottom view of the organizer as shown in FIG. 1.

The break lines illustrated in the center of the “organizer” in FIGS. 1, 2, 3, 5, 6 and 7 are not part of the claimed design and represent that no particular length is claimed.

1 Claim, 5 Drawing Sheets



US D659,400 S

Page 2

U.S. PATENT DOCUMENTS

D628,802 S * 12/2010 Kraemer D3/318
D647,790 S * 11/2011 Lopez et al. D9/429

OTHER PUBLICATIONS

InterDesign, Inc. Product Catalog—2001, p. 10.
InterDesign, Inc. Product Catalog—2003, p. 56.
InterDesign, Inc. Product Catalog—2005, pp. 33, 42, 43.

InterDesign, Inc. Product Catalog—2006, pp. 46, 47, 61.
InterDesign, Inc. Product Catalog—2007, pp. 61, 63.
InterDesign, Inc. Product Catalog—2008, pp. 20, 21, 23, 24, 25, 99,
104.
InterDesign, Inc. Product Catalog—2009, pp. 15, 82, 83, 84, 85, 87,
94, 95.

* cited by examiner

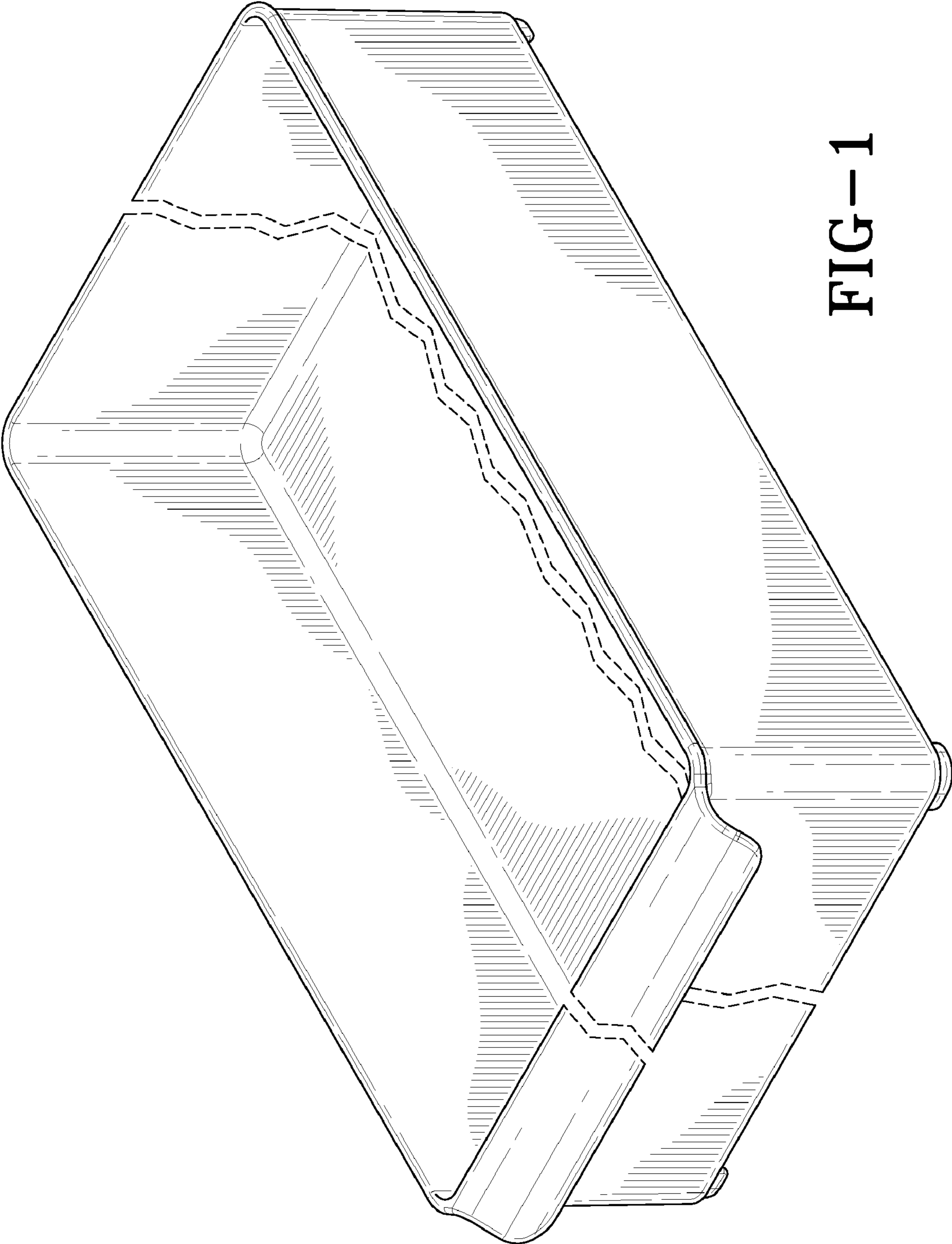


FIG-1

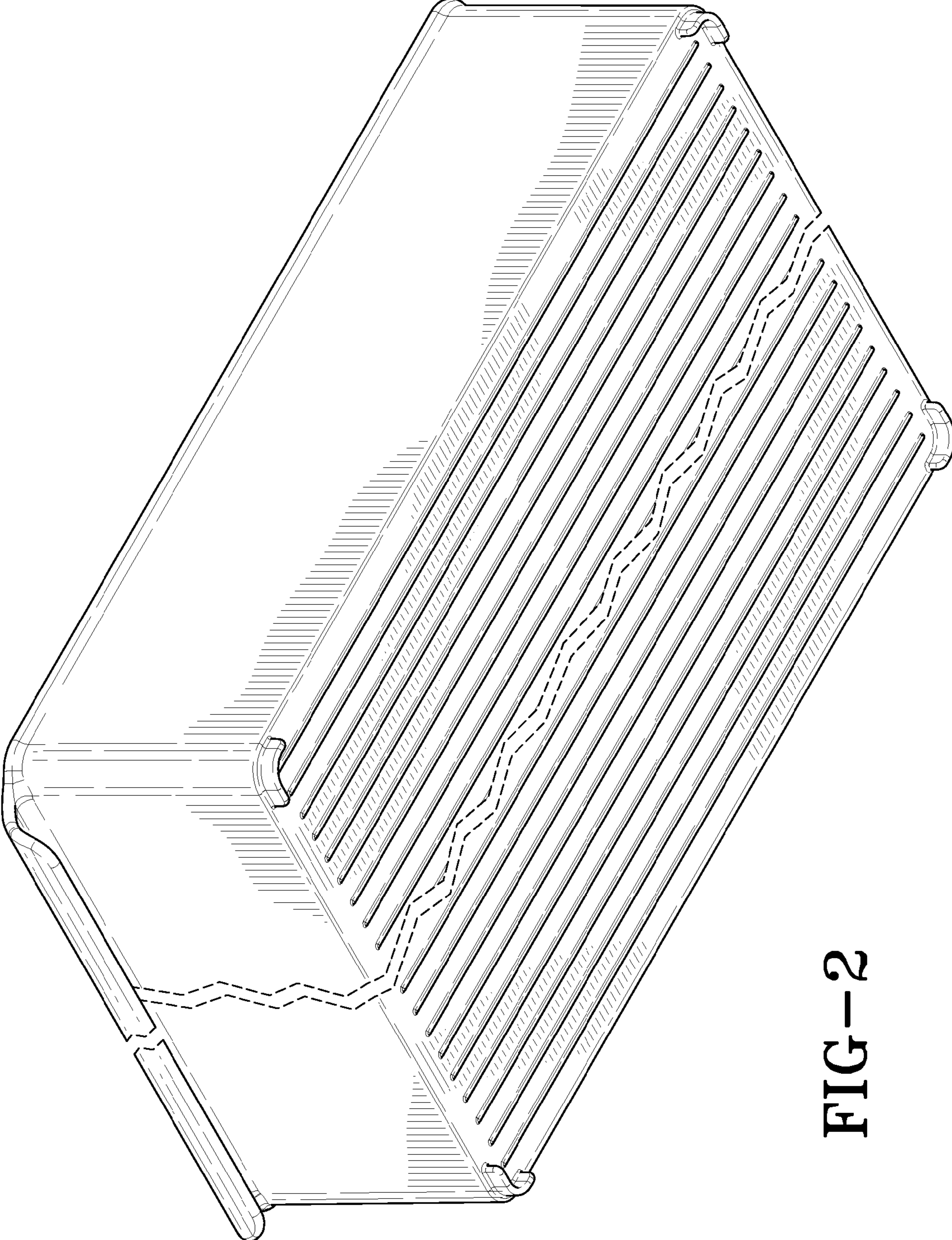


FIG-2

FIG-3

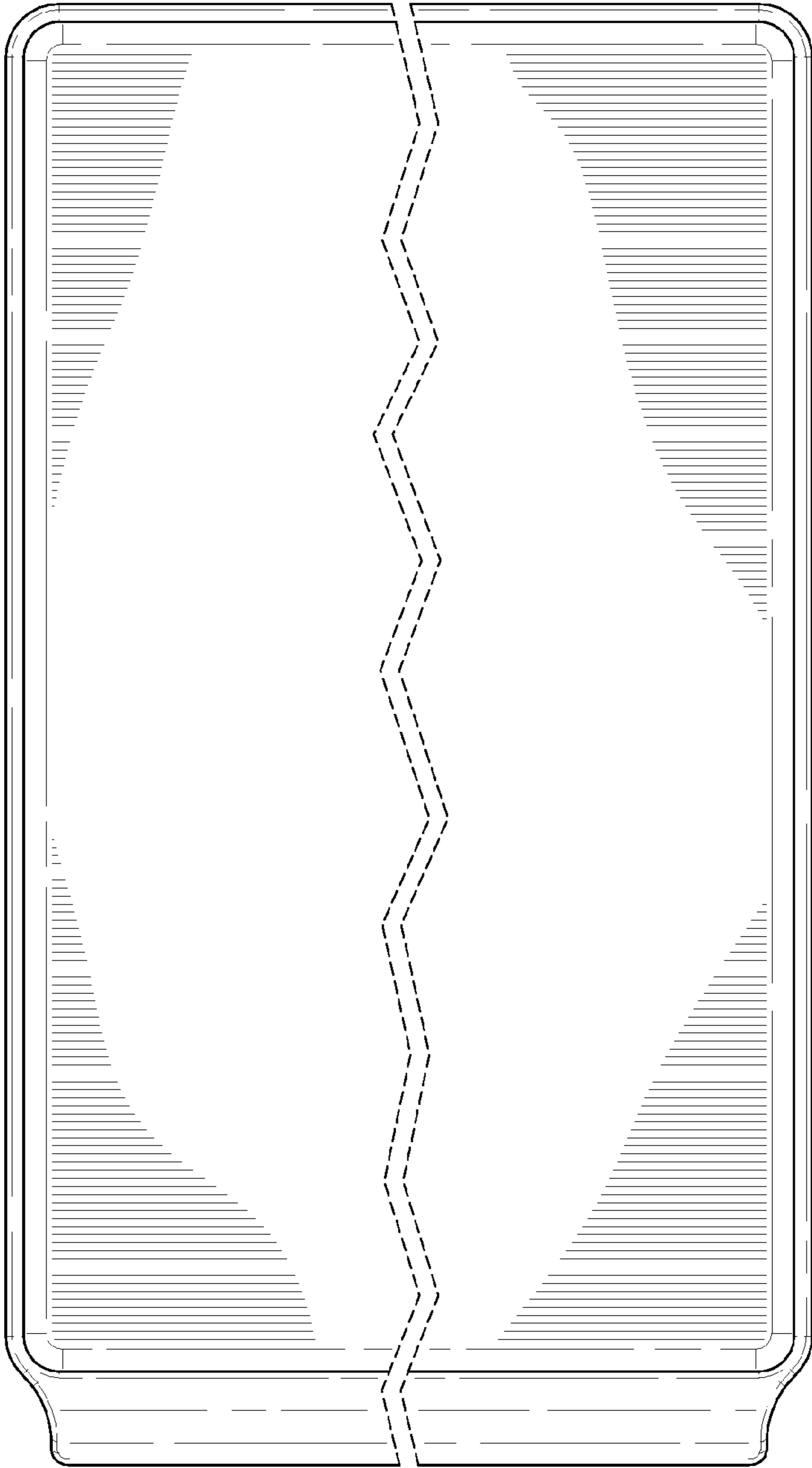
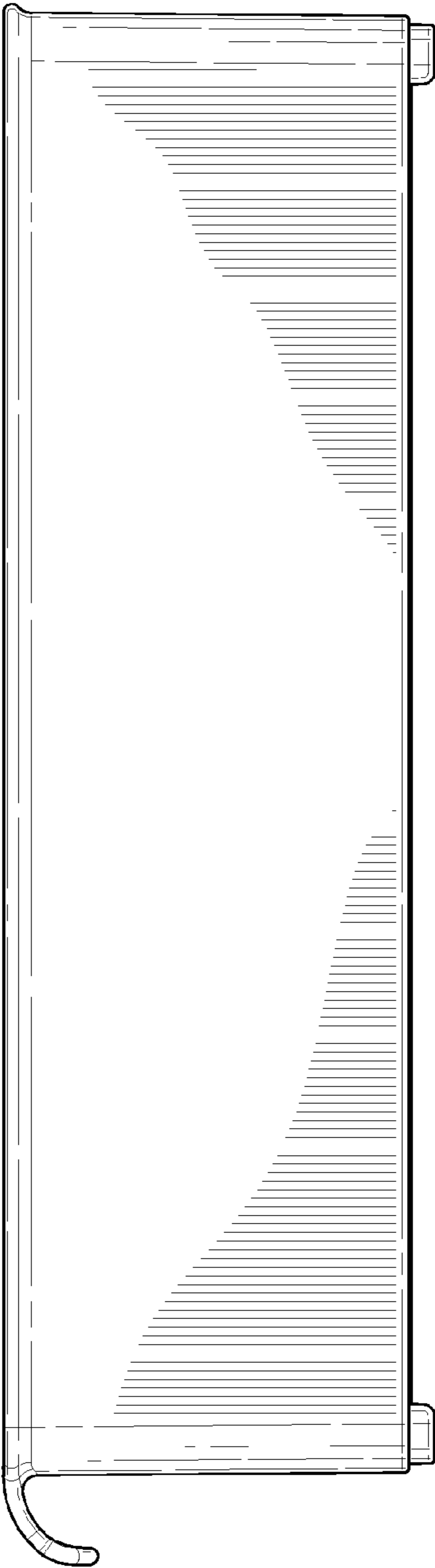


FIG-4



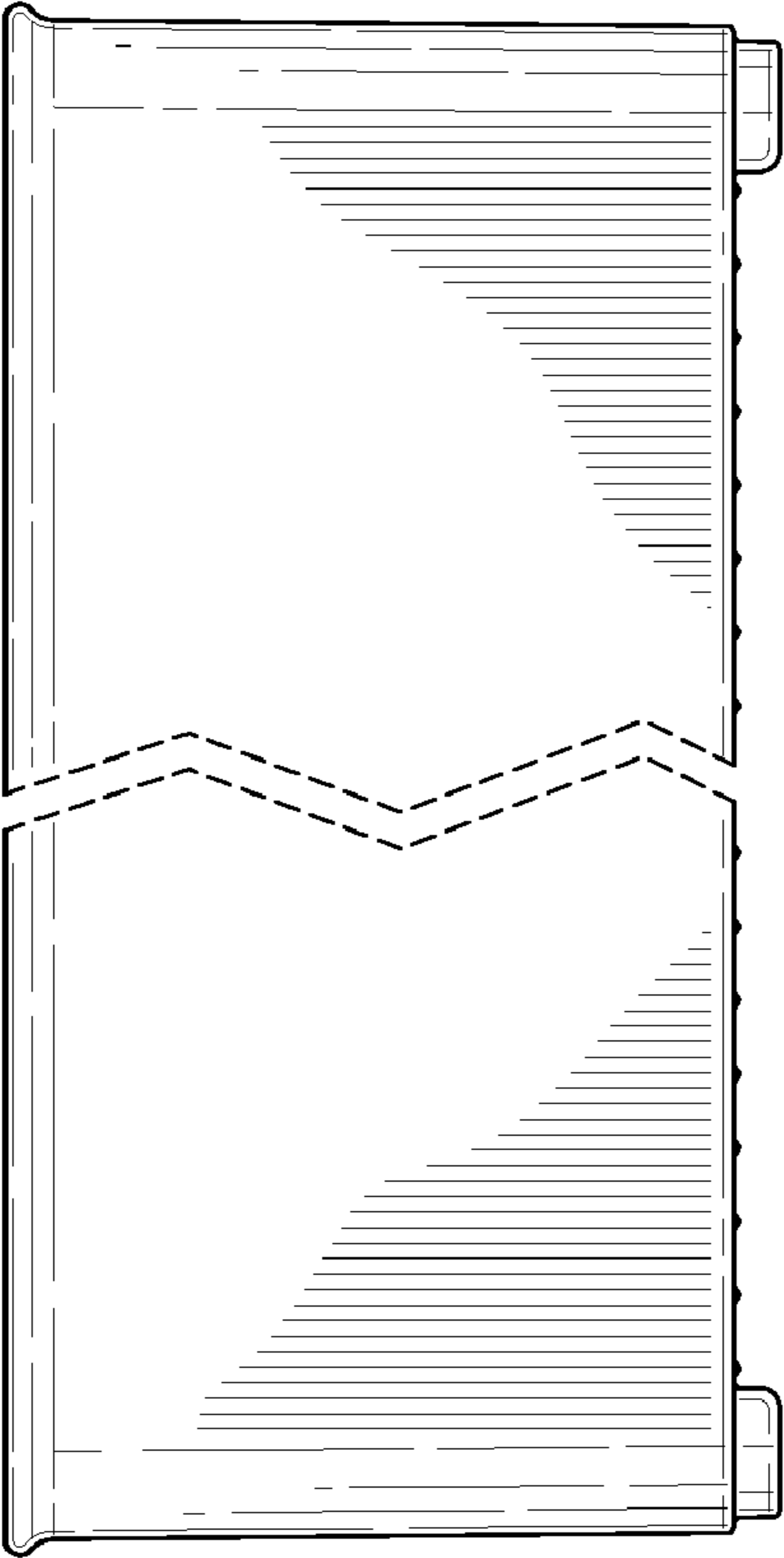


FIG-5

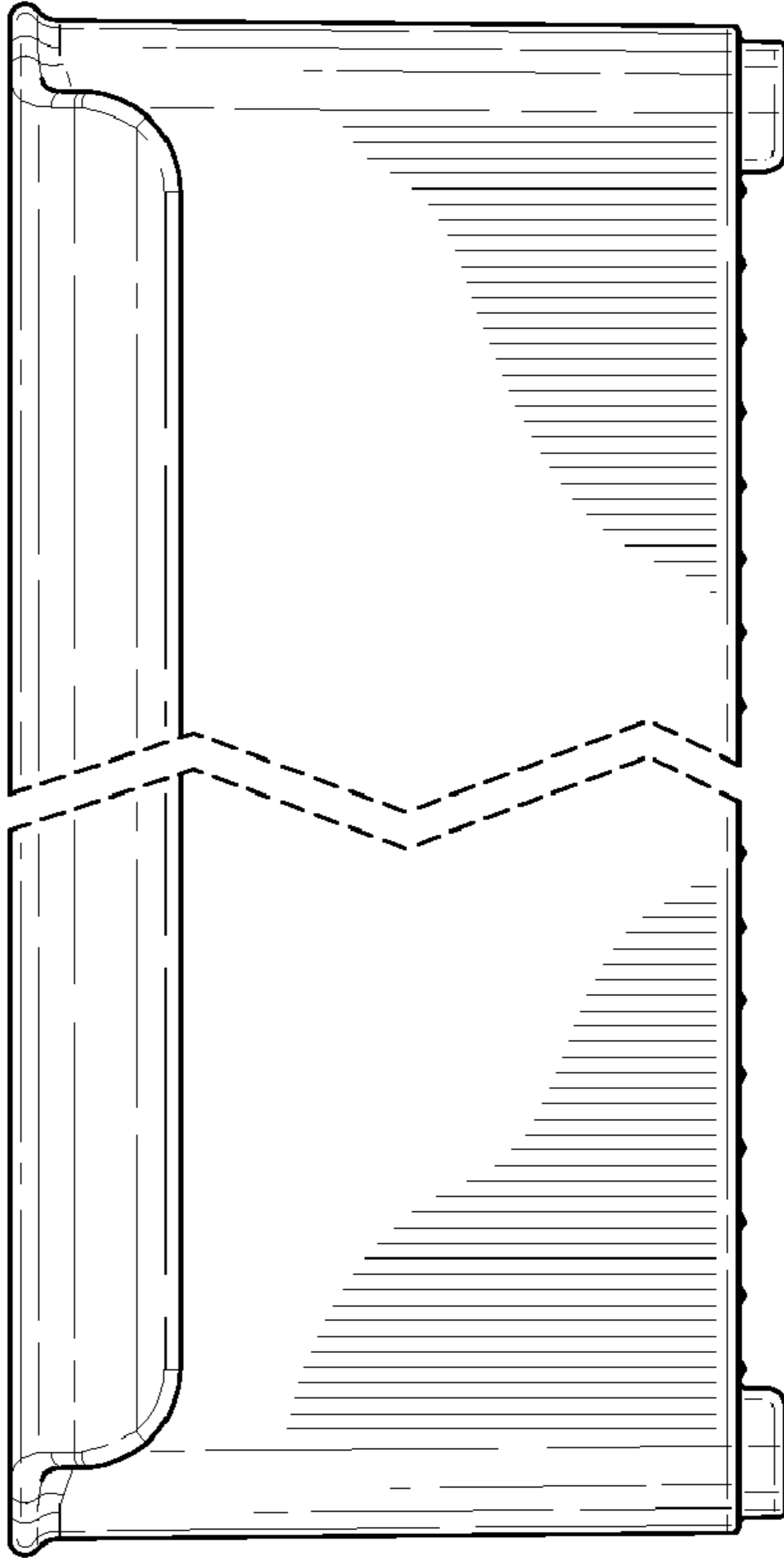


FIG-6

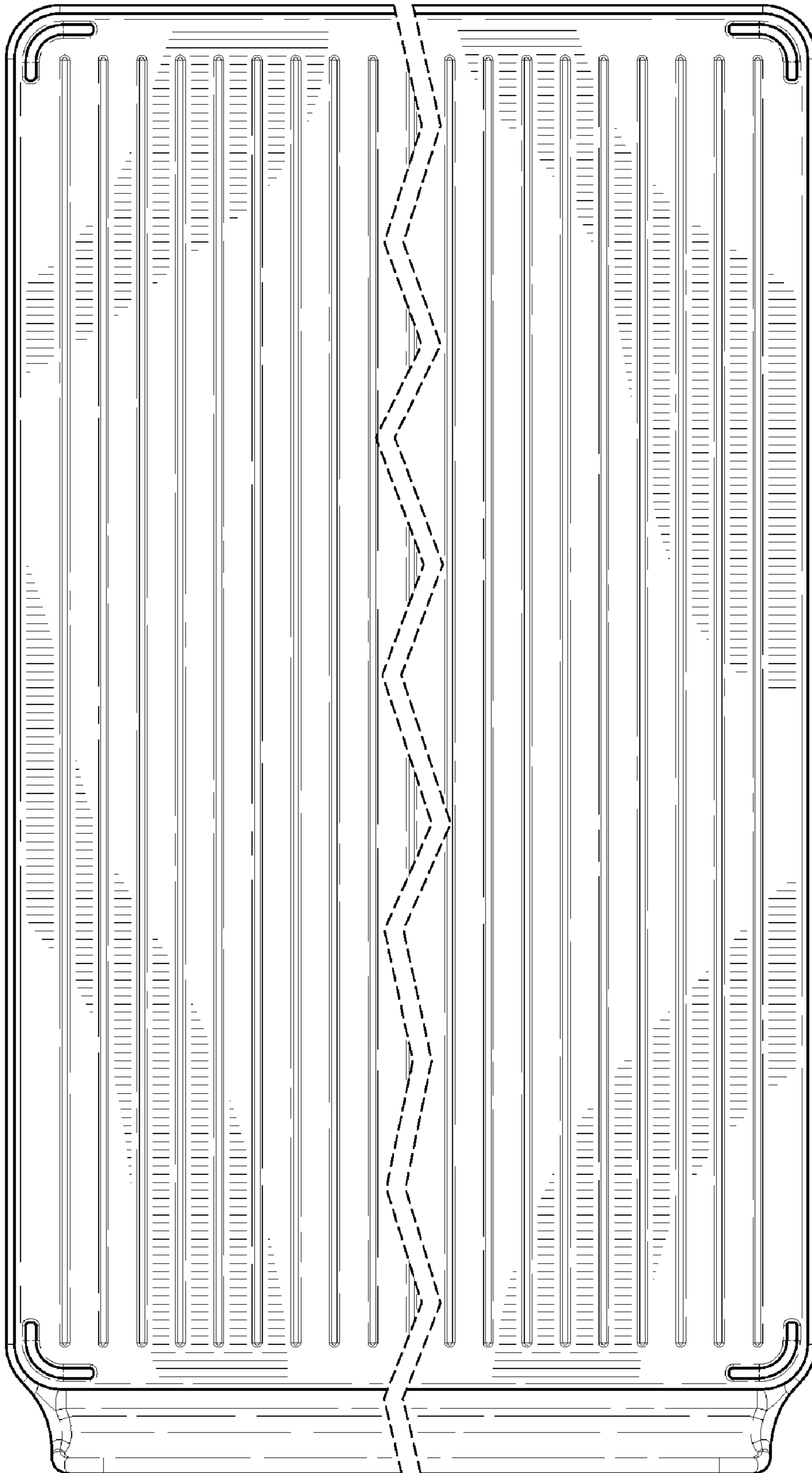


FIG-7