



US00D659398S

(12) **United States Design Patent**
Wood

(10) **Patent No.:** **US D659,398 S**

(45) **Date of Patent:** **** May 15, 2012**

(54) **LOCKER CRATE**

(75) Inventor: **Michelle Wood**, Ayer, MA (US)

(73) Assignee: **Sterilite Corporation**, Townsend, MA (US)

(**) Term: **14 Years**

(21) Appl. No.: **29/352,667**

(22) Filed: **Dec. 23, 2009**

(51) **LOC (9) Cl.** **03-01**

(52) **U.S. Cl.** **D3/304**

(58) **Field of Classification Search** D3/304,
D3/314, 315, 201; 206/503, 509

See application file for complete search history.

(56) **References Cited**

U.S. PATENT DOCUMENTS

3,390,808	A	7/1968	Rehrig et al.	
D223,810	S	6/1972	McIlrain	
D231,331	S	4/1974	Stauble	
D236,588	S	9/1975	Trapane	
D236,804	S	9/1975	Stauble	
4,176,747	A	12/1979	Aho	
D259,818	S	7/1981	Beavis	
D268,373	S *	3/1983	Jonson	D3/314
D271,721	S	12/1983	Howitt	
D273,338	S	4/1984	Walton	
D273,523	S	4/1984	DiSesa	
D273,524	S	4/1984	DiSesa	
D273,526	S	4/1984	DiSesa	
D277,800	S	2/1985	DiSesa	
4,500,146	A	2/1985	Peterson	
D286,936	S	11/1986	Bitel, Sr.	
4,822,314	A	4/1989	O'Brian et al.	
D305,474	S	1/1990	Fresquez	
4,971,202	A	11/1990	Box	
D330,963	S *	11/1992	Hampshire	D3/313
5,221,013	A	6/1993	Santucci	
5,251,973	A	10/1993	Hazan	
5,299,704	A	4/1994	Thorby	
5,339,979	A	8/1994	Box	
5,396,996	A	3/1995	Box	

5,421,646	A	6/1995	McNamara et al.	
D359,850	S	7/1995	Staubitz	
D362,567	S	9/1995	Licari	
D372,583	S *	8/1996	Brightbill	D3/314
D401,067	S *	11/1998	Hampshire	D3/309
D433,548	S *	11/2000	Baines et al.	D32/37

(Continued)

OTHER PUBLICATIONS

Stacking Bins, Sterilite Catalogue, 2 pages, 2002.

(Continued)

Primary Examiner — T. Chase Nelson

Assistant Examiner — Ania Aman

(74) *Attorney, Agent, or Firm* — Wilmey Cutler Pickering Hale and Dorr LLP

(57) **CLAIM**

The ornamental design for a locker crate, as shown and described.

DESCRIPTION

FIG. 1 is a perspective view of the first embodiment of a crate showing my new design;

FIG. 2 is a front elevation view thereof, the rear view being identical.

FIG. 3 is a left side elevation view thereof, the right side being identical.

FIG. 4 is a top plan view thereof.

FIG. 5 is a bottom plan view thereof.

FIG. 6 is a perspective view of the second embodiment of stacked crates.

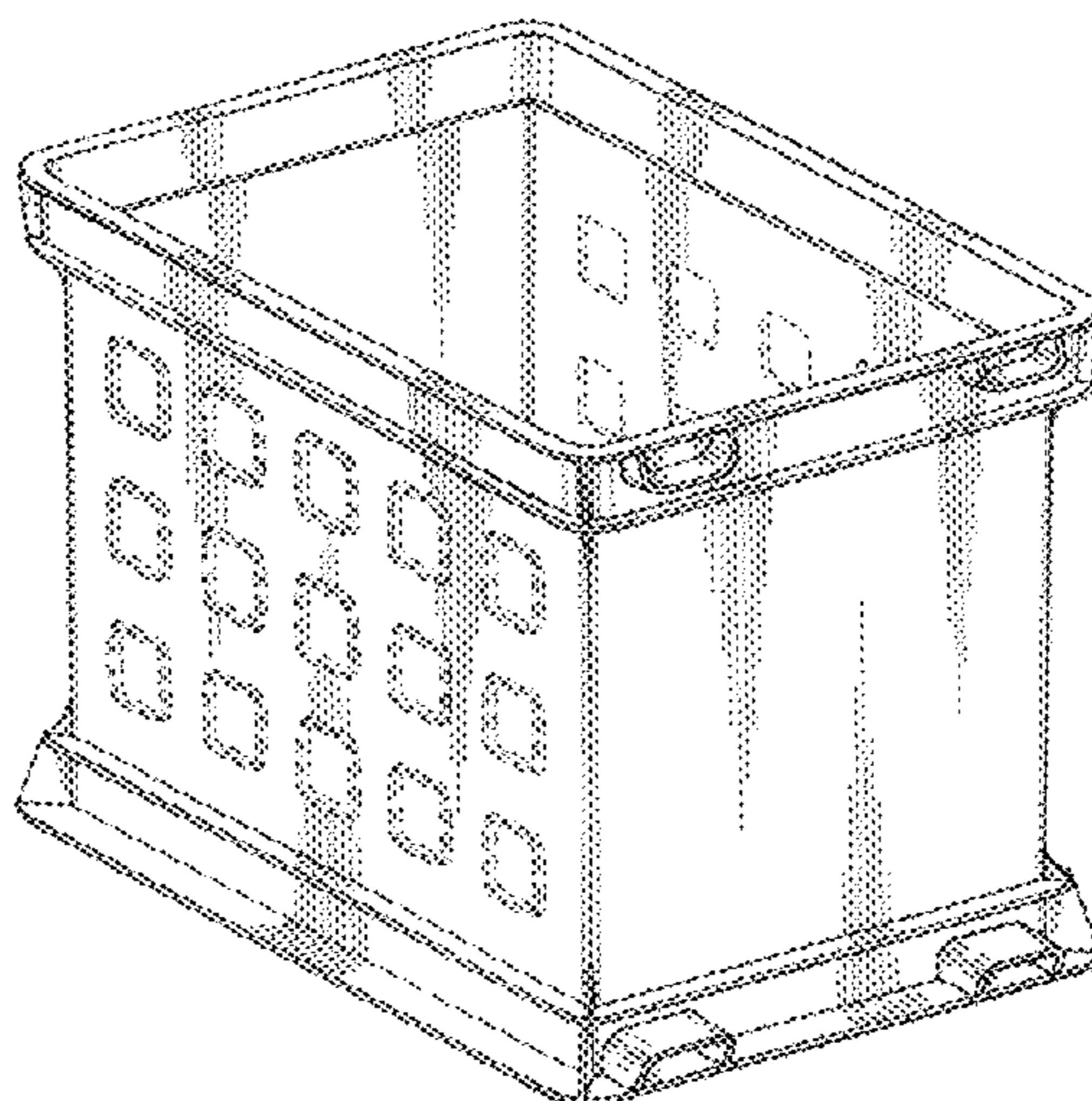
FIG. 7 is a front elevation view thereof, the rear view being identical. The left and right side views are identical to FIG. 3 of the first embodiment of the crate.

FIG. 8 is top plan view thereof; and,

FIG. 9 is a bottom plan view thereof.

The broken lines shown in the views depict portions of the locker crate that form no part of the claimed design.

1 Claim, 7 Drawing Sheets



US D659,398 S

Page 2

U.S. PATENT DOCUMENTS

6,814,418 B2 11/2004 D'Orso
D522,284 S 6/2006 Shapiro et al.
D537,249 S 2/2007 Shapiro et al.
D549,455 S 8/2007 Kent et al.
7,353,958 B2 4/2008 Shapiro
D569,619 S 5/2008 Kent et al.
D578,308 S * 10/2008 Simas D3/314
2008/0047864 A1 2/2008 McTavish et al.
2010/0193393 A1* 8/2010 Humm et al. 206/503

OTHER PUBLICATIONS

Expandable Locker Shelf, Organize-It, 3 pages, Aug. 2008 (Wayback Machine), printed Dec. 2009.

Adjustable Double Locker Shelf, Organize-It, 3 pages, Aug. 2008 (Wayback Machine), printed Dec. 2009.

* cited by examiner

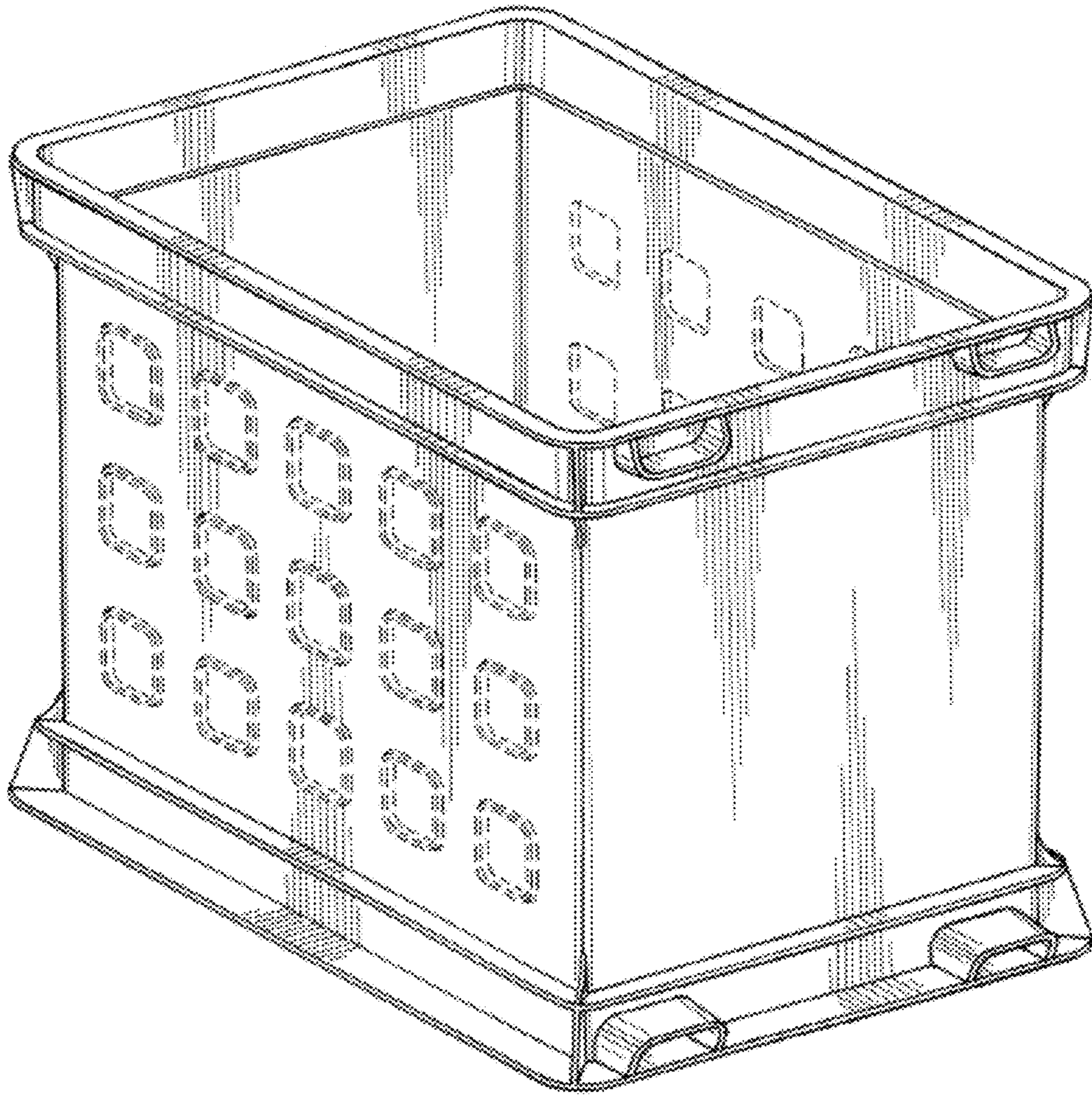


Fig. 1

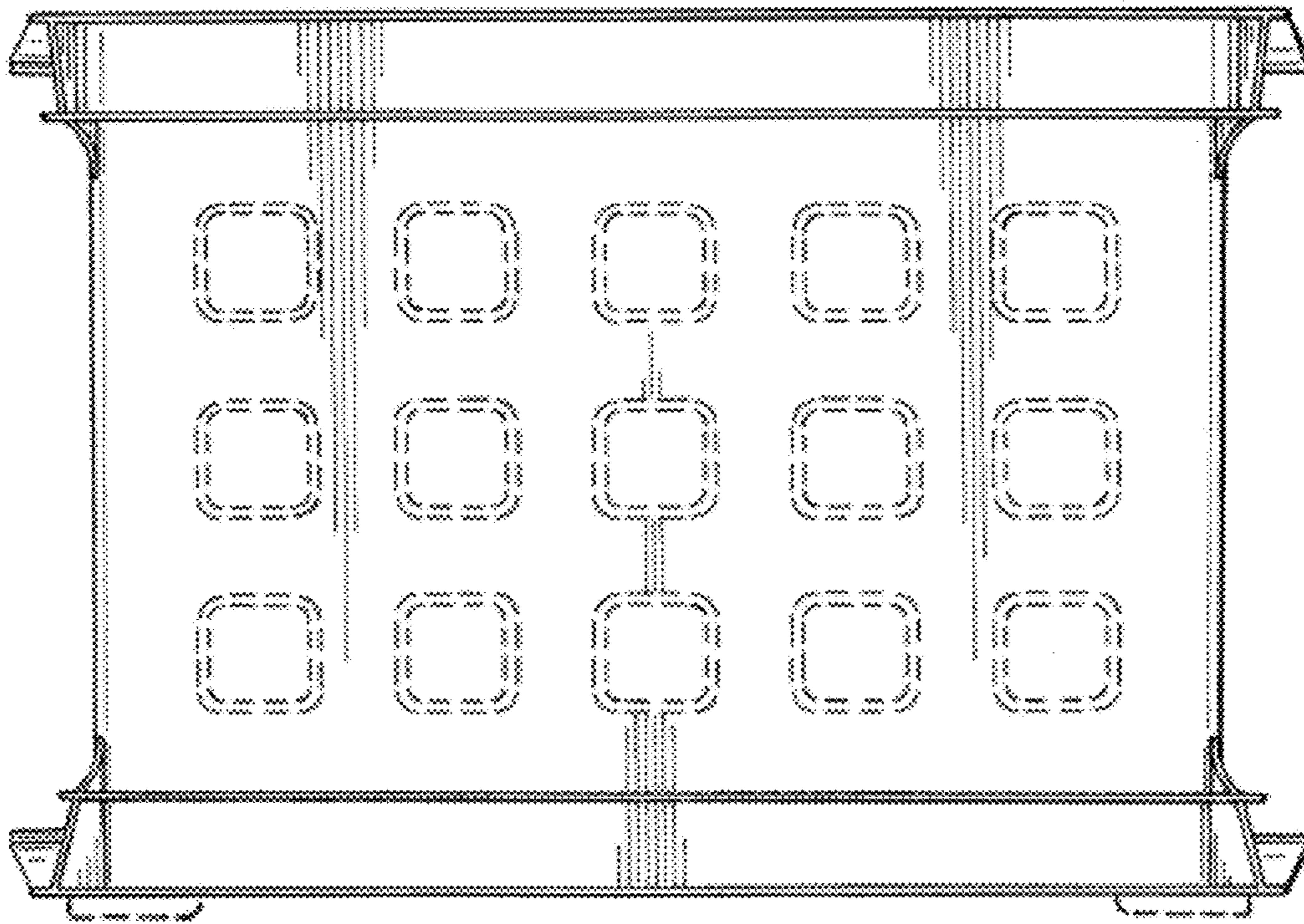


Fig. 2

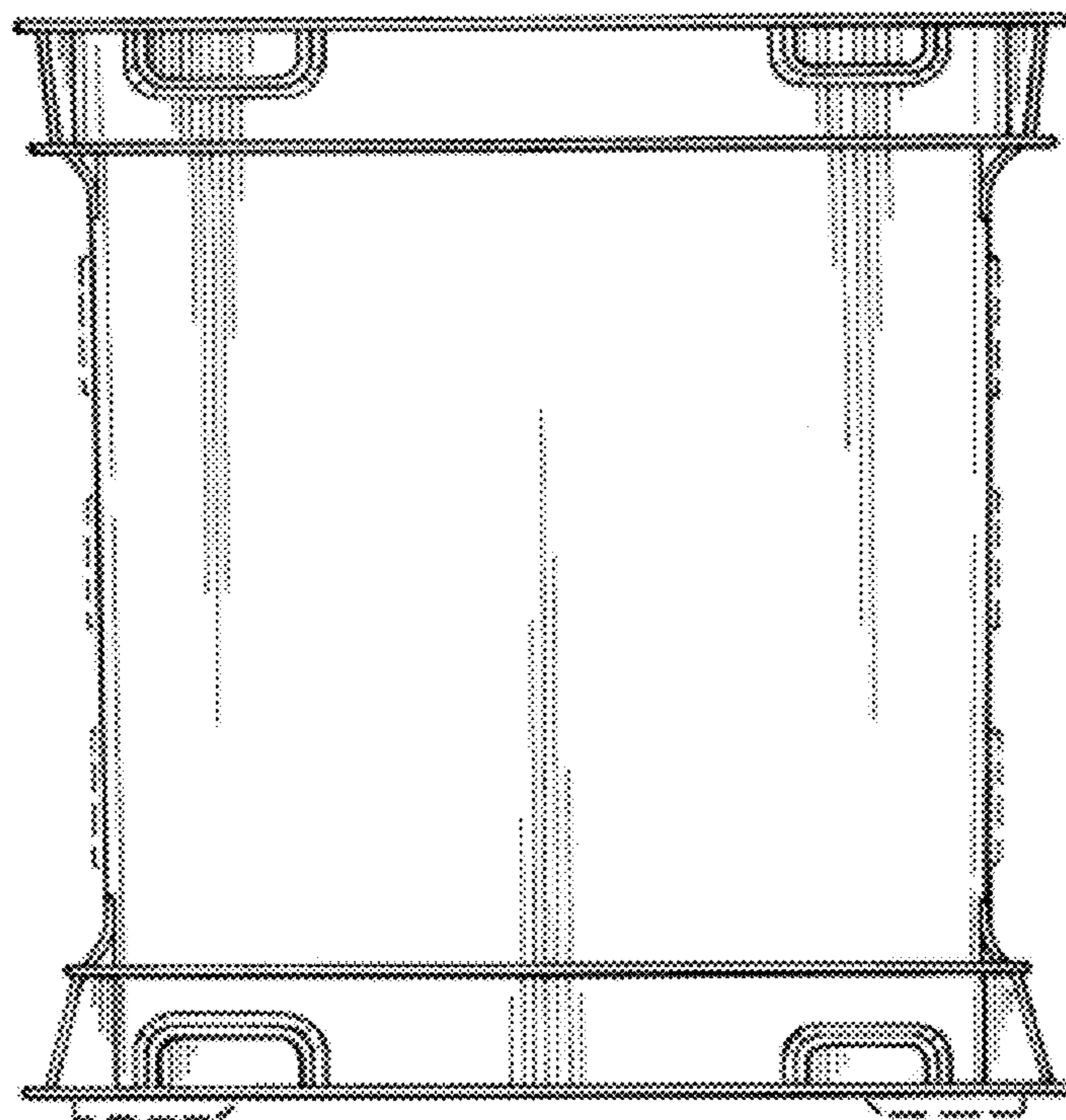


Fig. 3

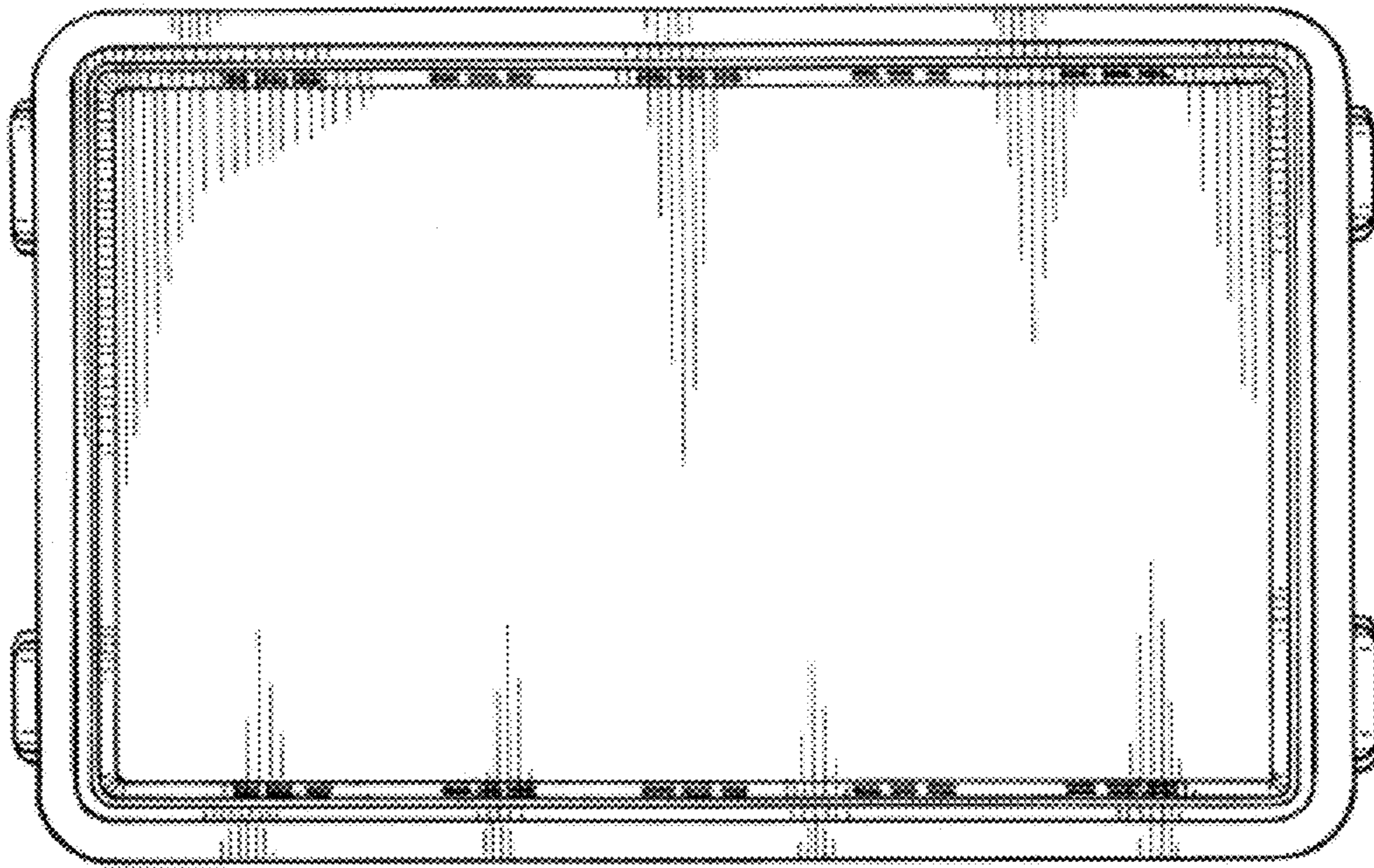


Fig. 4

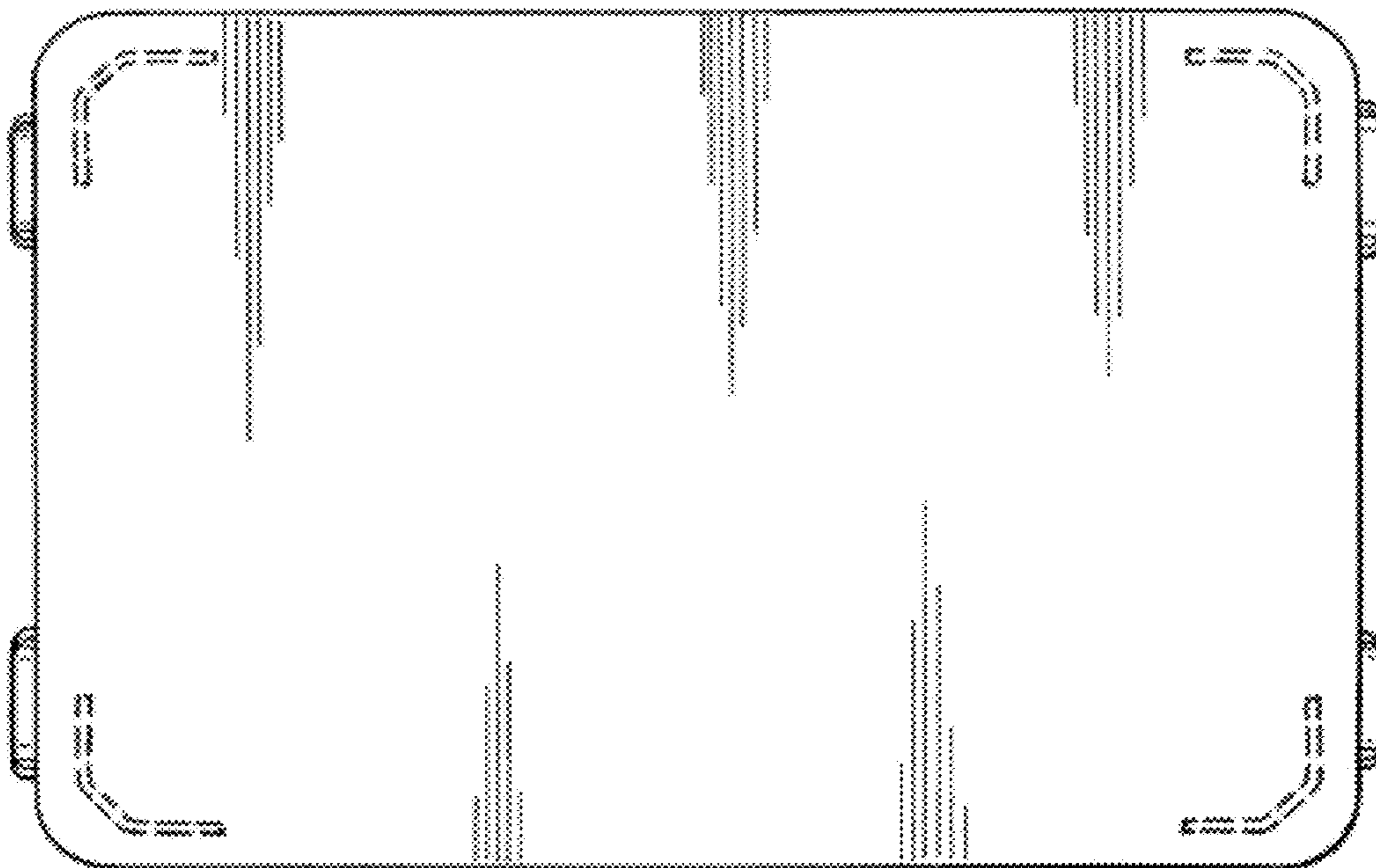


Fig. 5

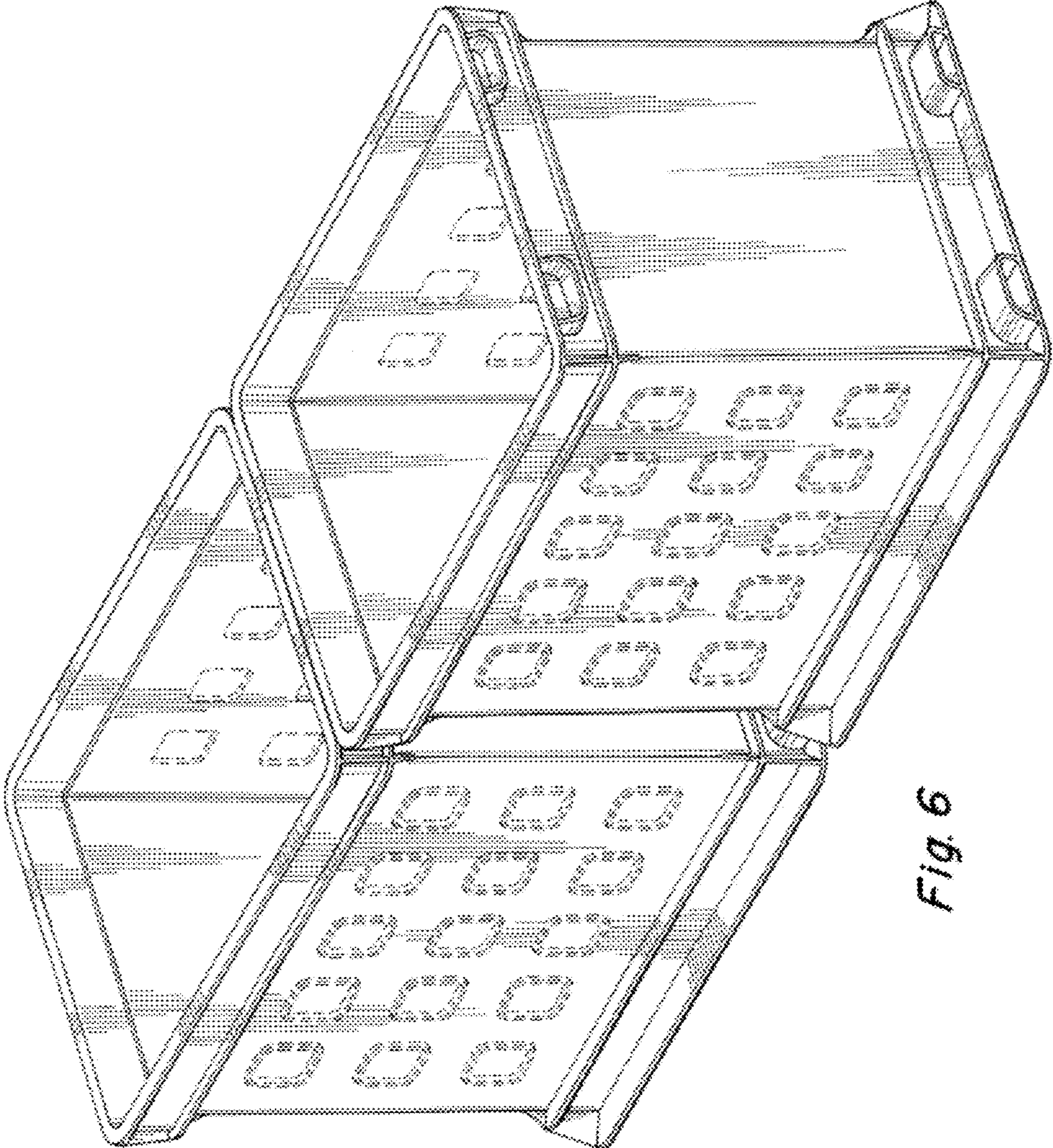


Fig. 6

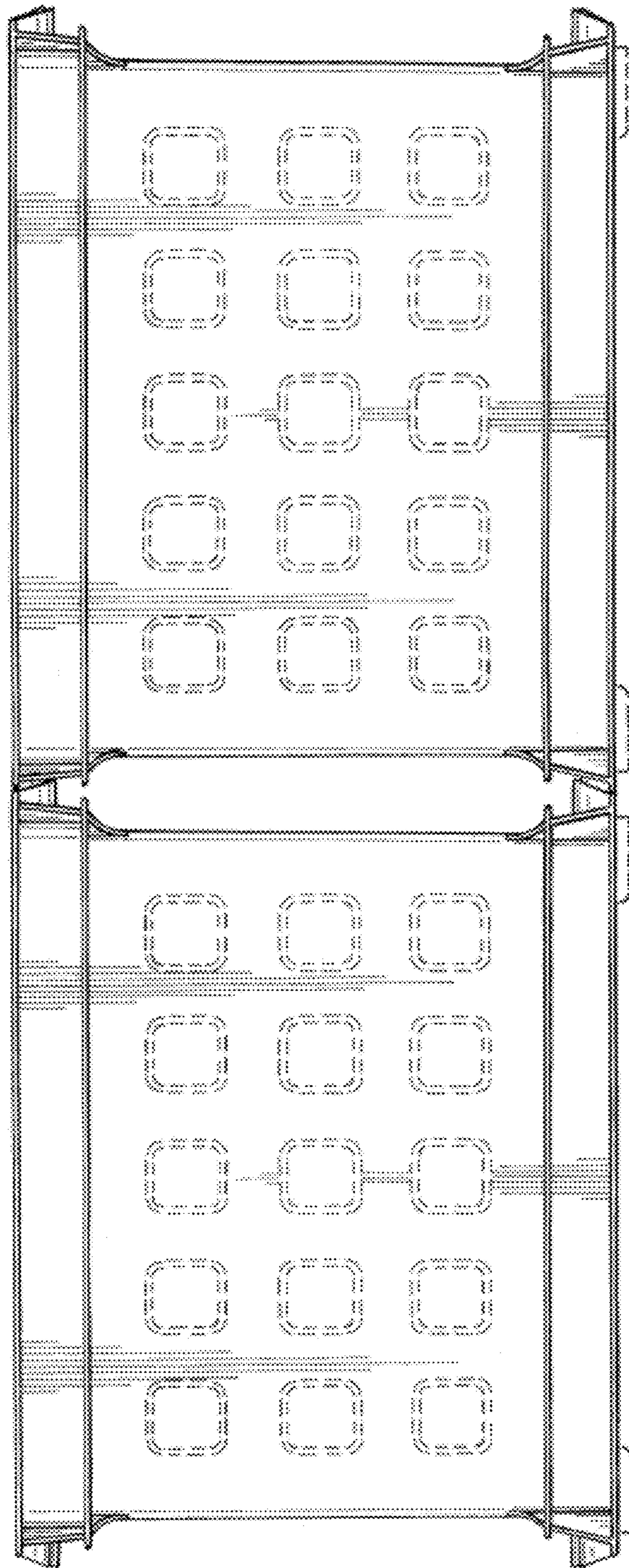


Fig. 7

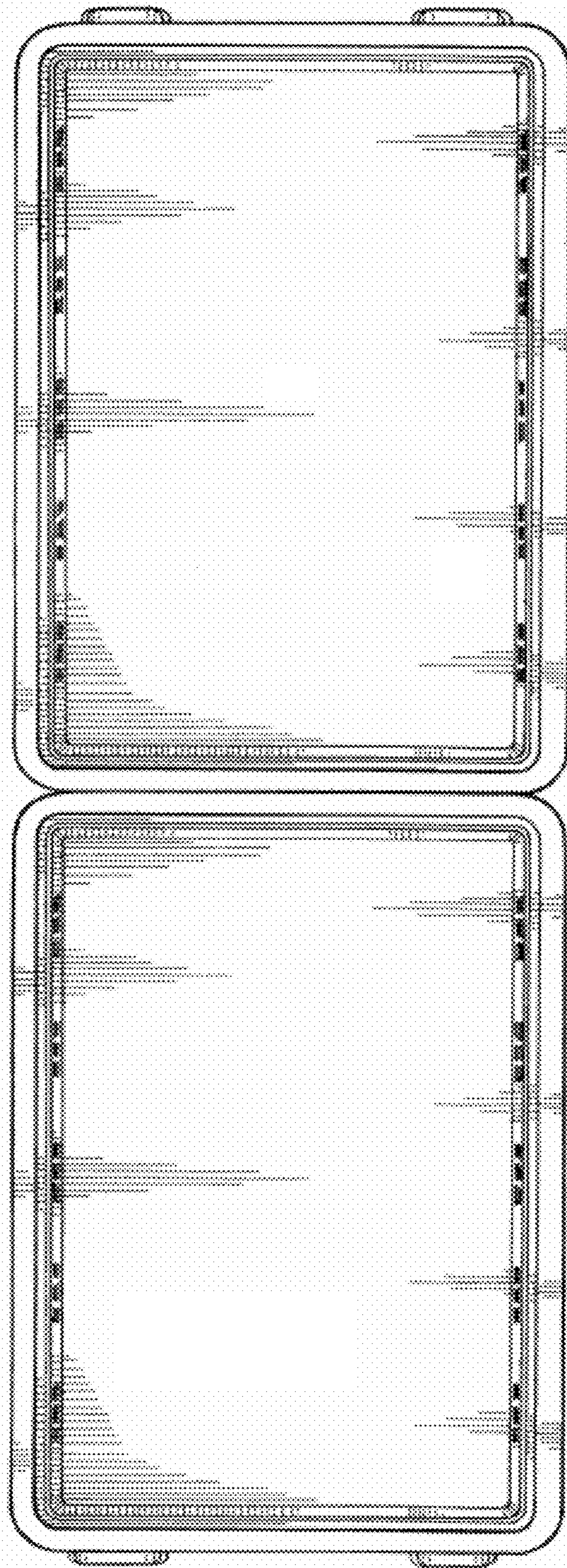


Fig. 8

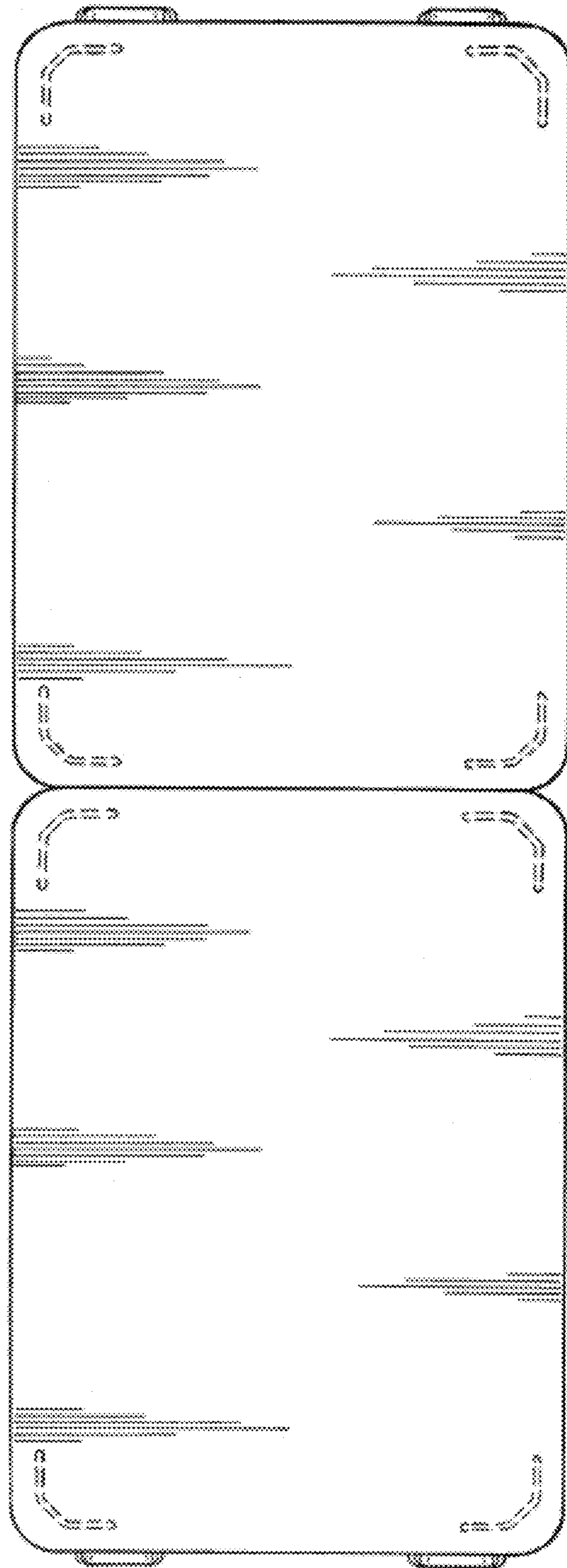


Fig. 9