



US00D659396S

(12) **United States Design Patent**
Hsu

(10) **Patent No.:** **US D659,396 S**

(45) **Date of Patent:** **** May 15, 2012**

(54) **TOOL BOX**

(76) Inventor: **Shao-Hsien Hsu**, Taichung (TW)

(**) Term: **14 Years**

(21) Appl. No.: **29/405,994**

(22) Filed: **Nov. 9, 2011**

(51) **LOC (9) Cl.** **03-01**

(52) **U.S. Cl.** **D3/294; D3/905**

(58) **Field of Classification Search** D3/254,
D3/260, 273, 276, 280, 282–291, 294, 905;
220/523, 524, 527; 206/349, 372–379; 190/109,
190/111, 115, 107, 126, 903; D7/605
See application file for complete search history.

(56) **References Cited**

U.S. PATENT DOCUMENTS

| | | | |
|---------------|--------|------------------------|---------|
| D419,297 S * | 1/2000 | Richardson et al. | D3/273 |
| 6,041,924 A * | 3/2000 | Tajima | 206/320 |
| D439,408 S * | 3/2001 | Gibson et al. | D3/282 |
| D473,376 S * | 4/2003 | Abate | D3/294 |
| D524,541 S * | 7/2006 | Cauley | D3/295 |

| | | | |
|--------------|---------|----------------------|--------|
| D553,851 S * | 10/2007 | MacAuley | D3/218 |
| D563,670 S * | 3/2008 | Cornwell et al. | D3/294 |
| D606,308 S * | 12/2009 | Cheng-Wei | D3/294 |
| D636,996 S * | 5/2011 | Kokawa et al. | D3/282 |
| D645,663 S * | 9/2011 | Henley et al. | D3/294 |

* cited by examiner

Primary Examiner — Jennifer Rivard

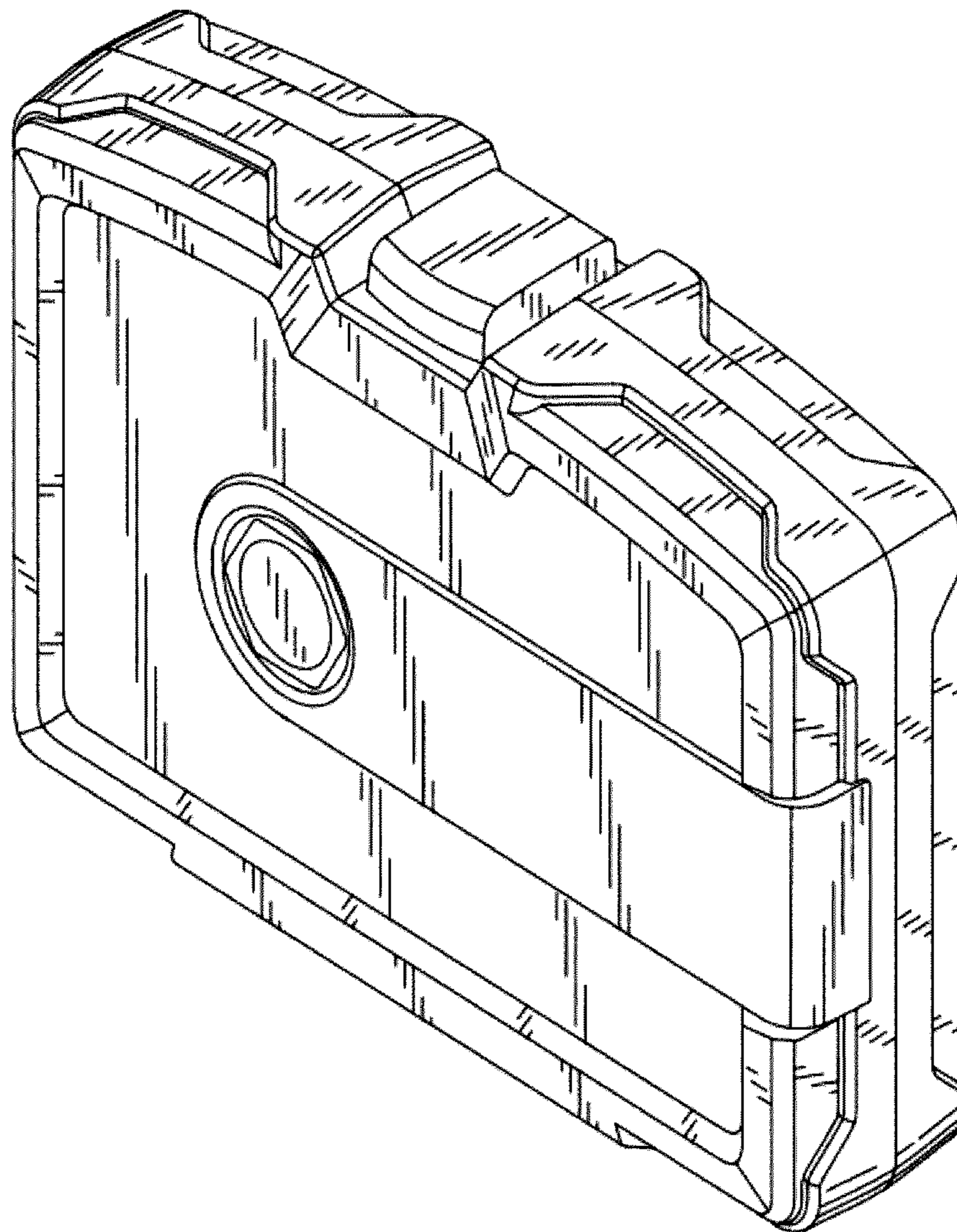
(57) **CLAIM**

The ornamental design for a tool box, as shown and described.

DESCRIPTION

FIG. 1 is a perspective view of a tool box showing my new design;
FIG. 2 is a front elevational view thereof;
FIG. 3 is a rear elevational view thereof;
FIG. 4 is a left side view thereof;
FIG. 5 is a right side view thereof;
FIG. 6 is a top plan view thereof; and,
FIG. 7 is a bottom plan view thereof.

1 Claim, 6 Drawing Sheets



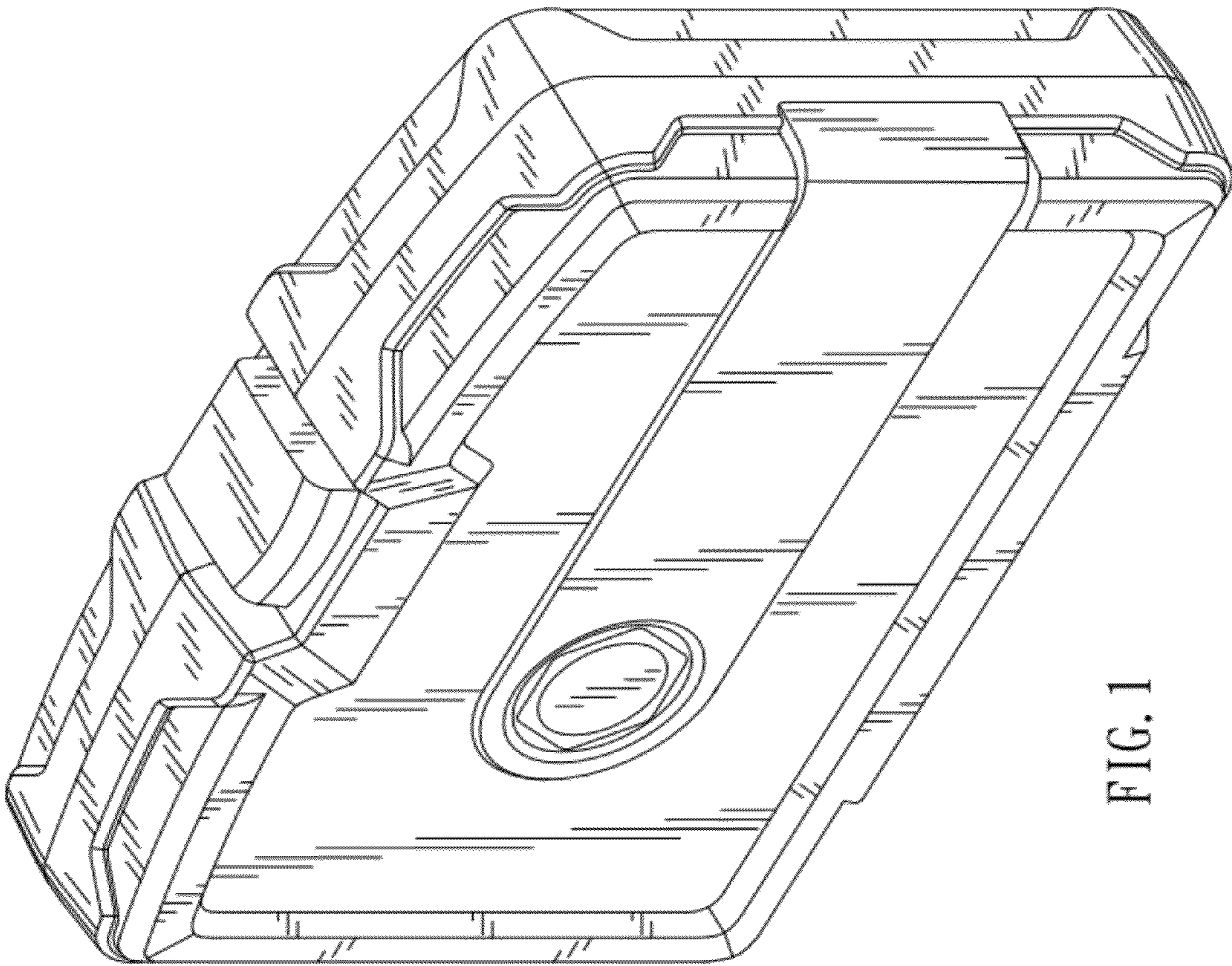


FIG. 1

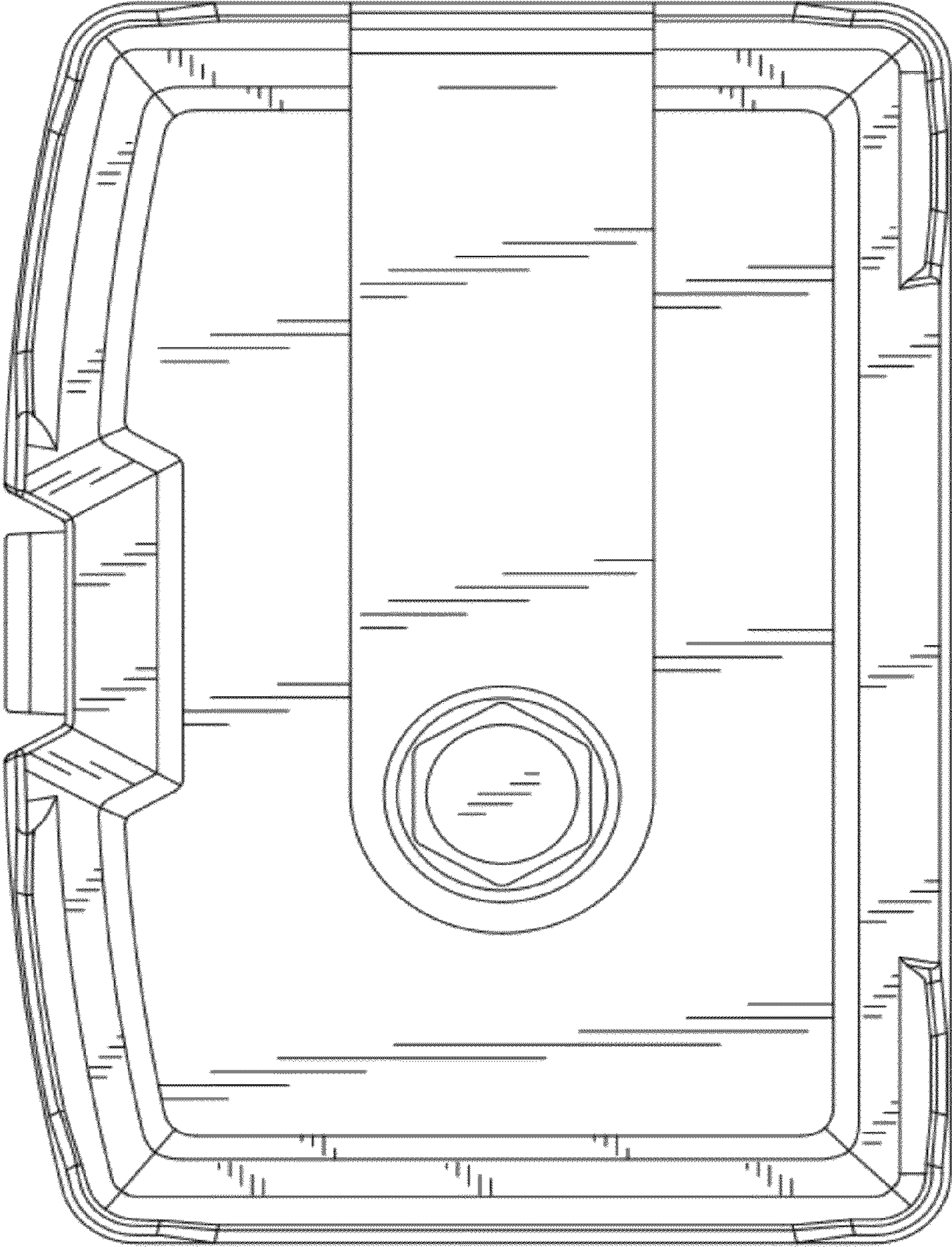


FIG. 2

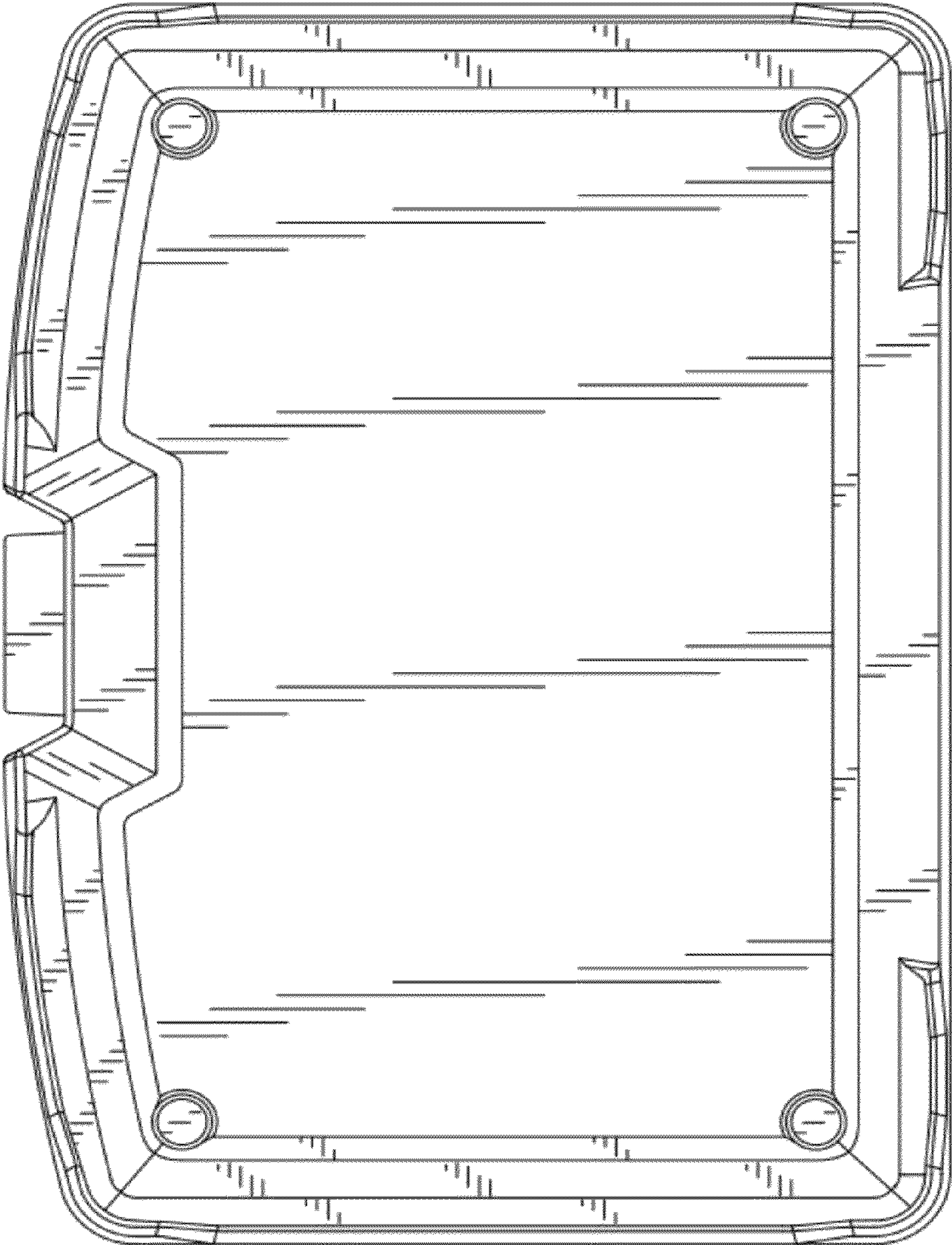


FIG. 3

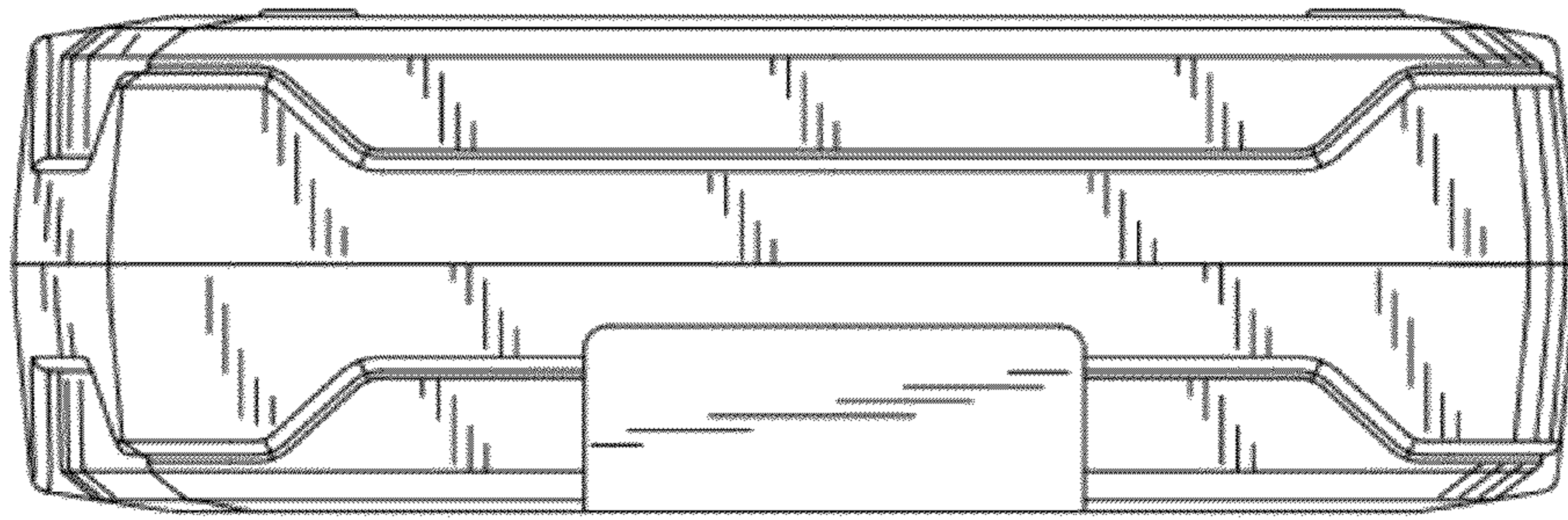


FIG. 5

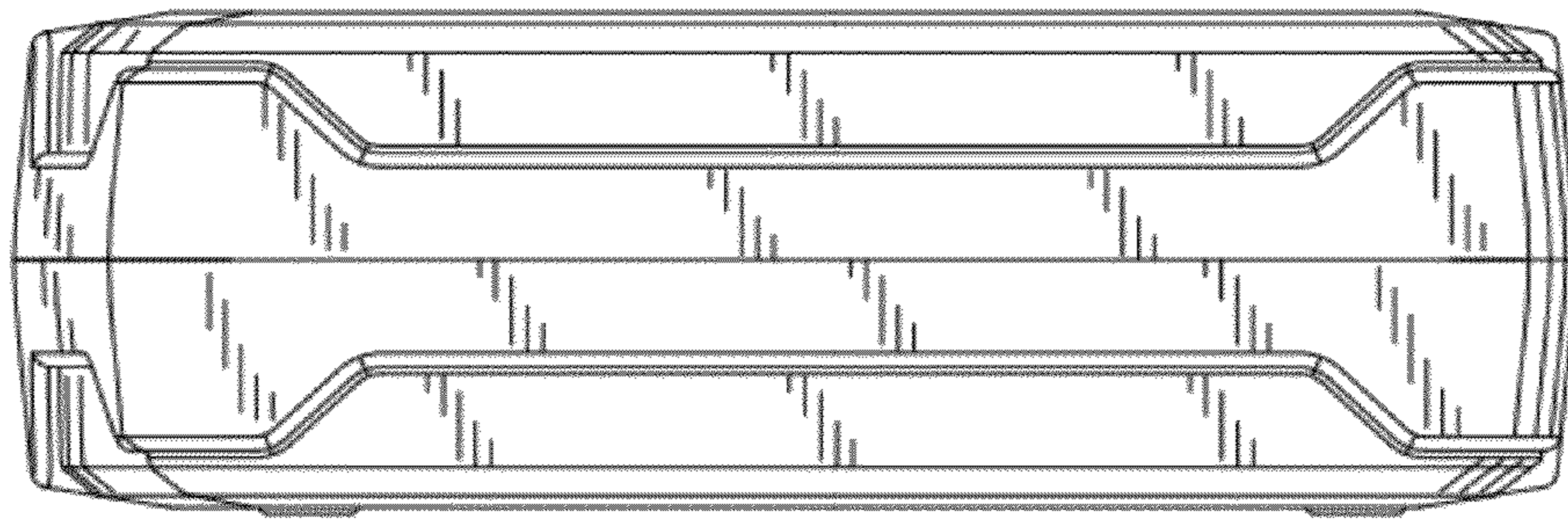


FIG. 4

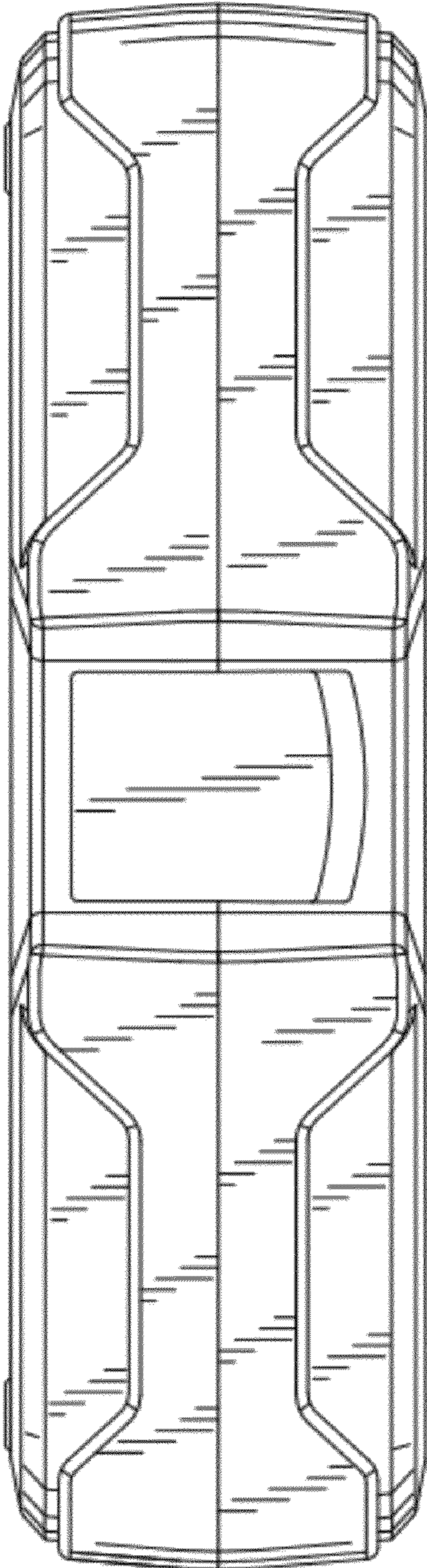


FIG. 6

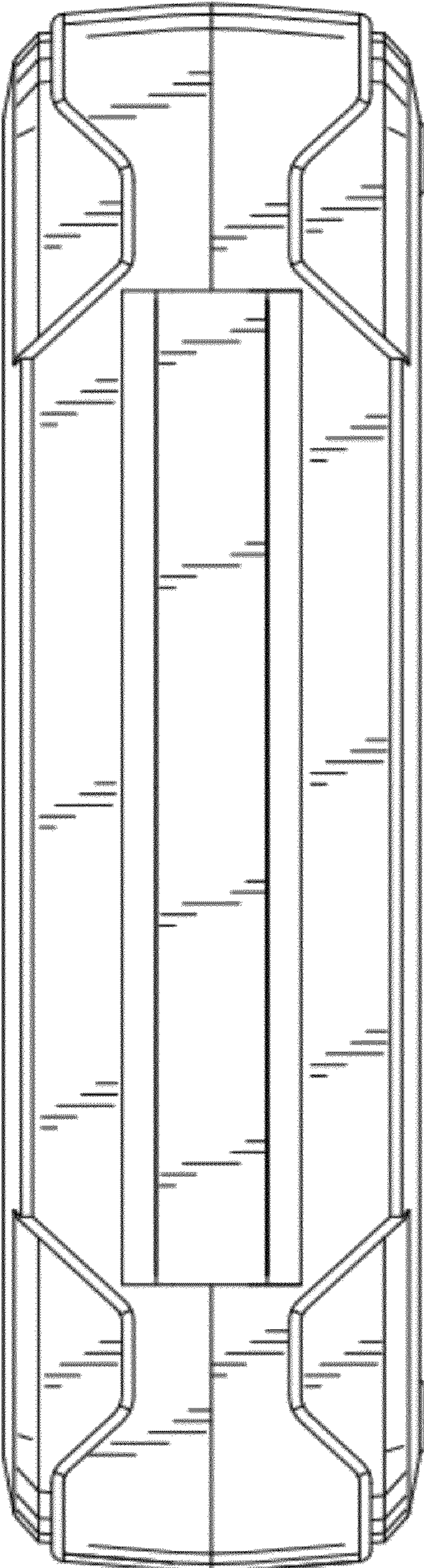


FIG. 7